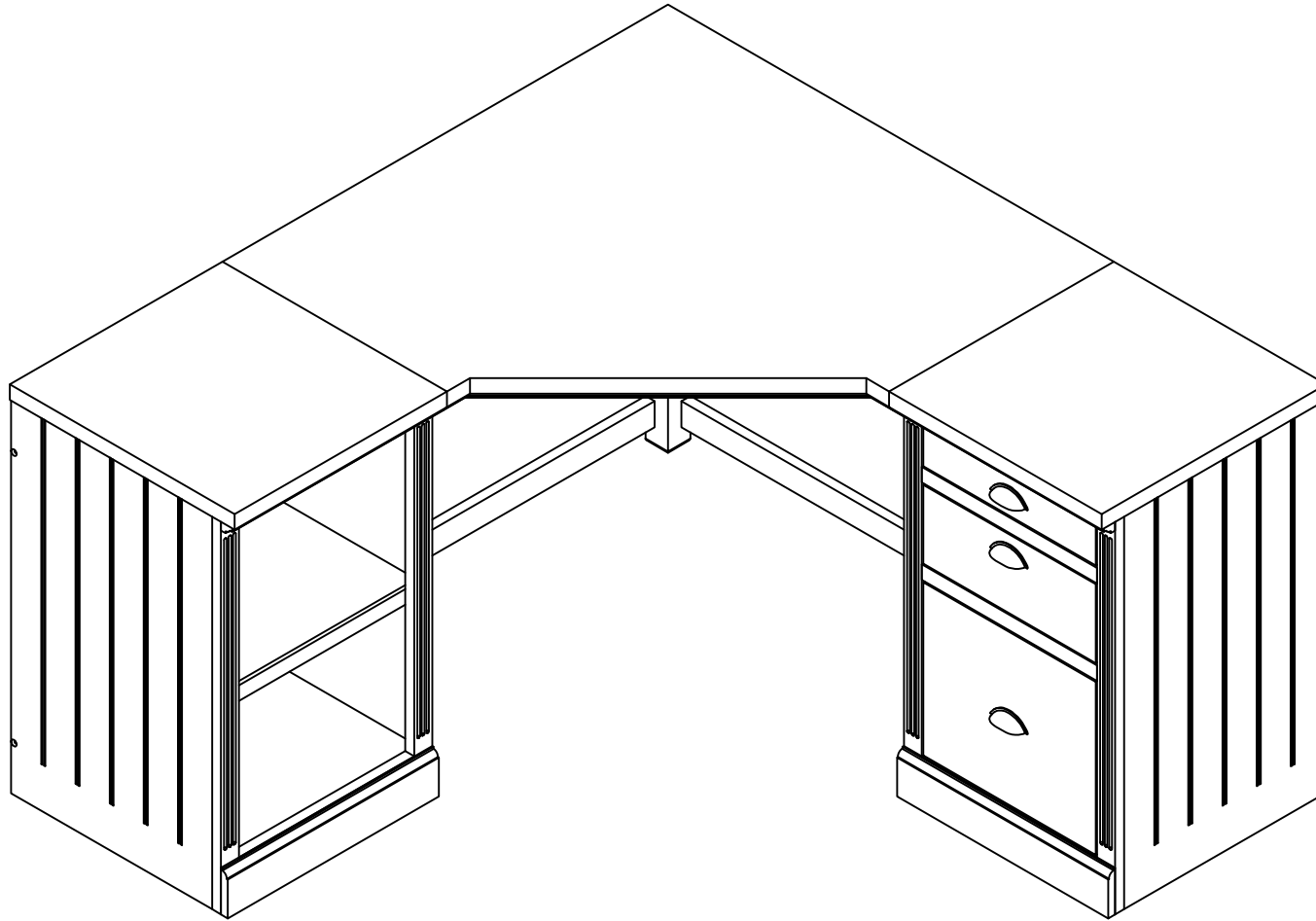


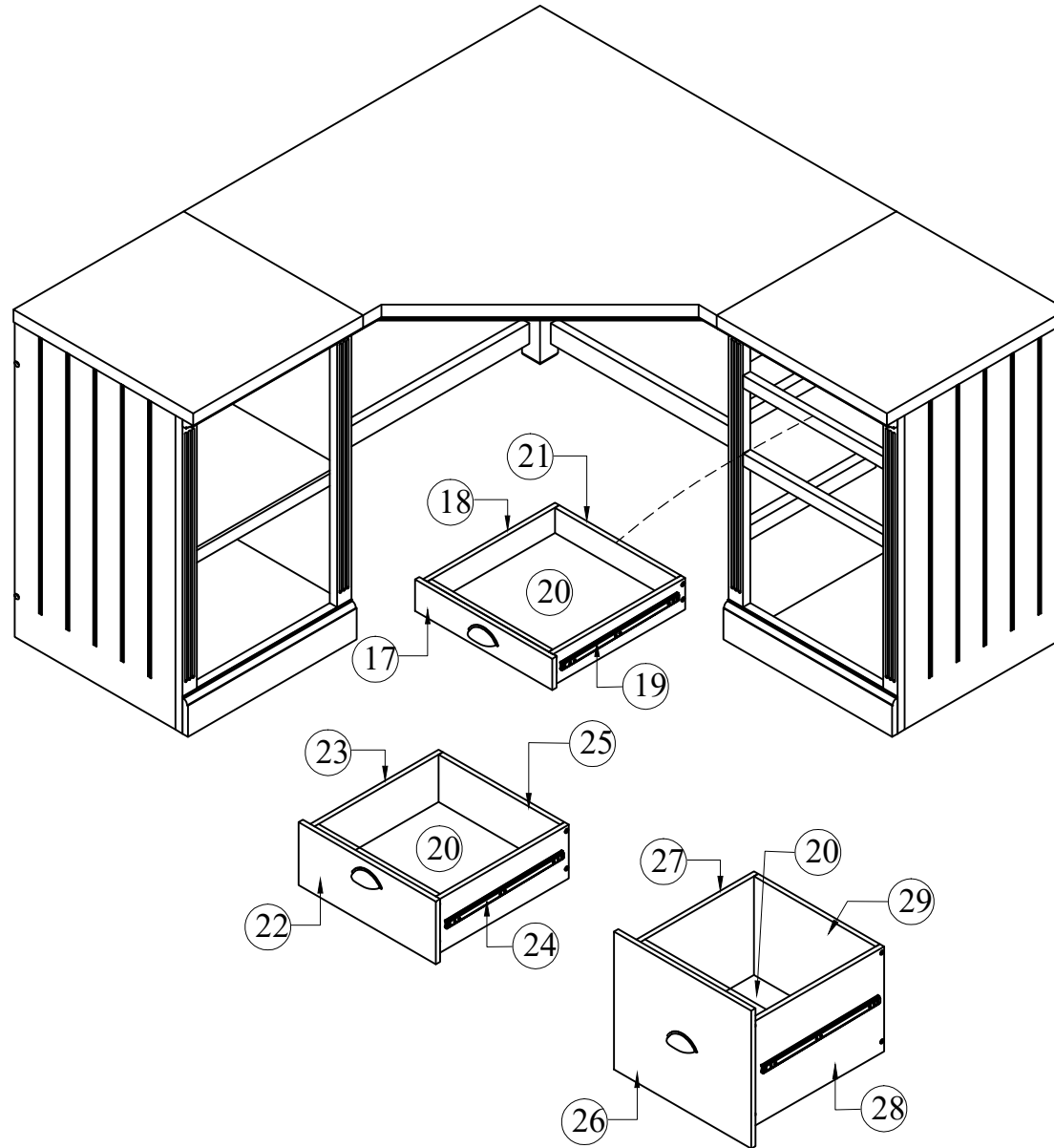
Executive Desk

Assembly Instructions - Please keep for future reference

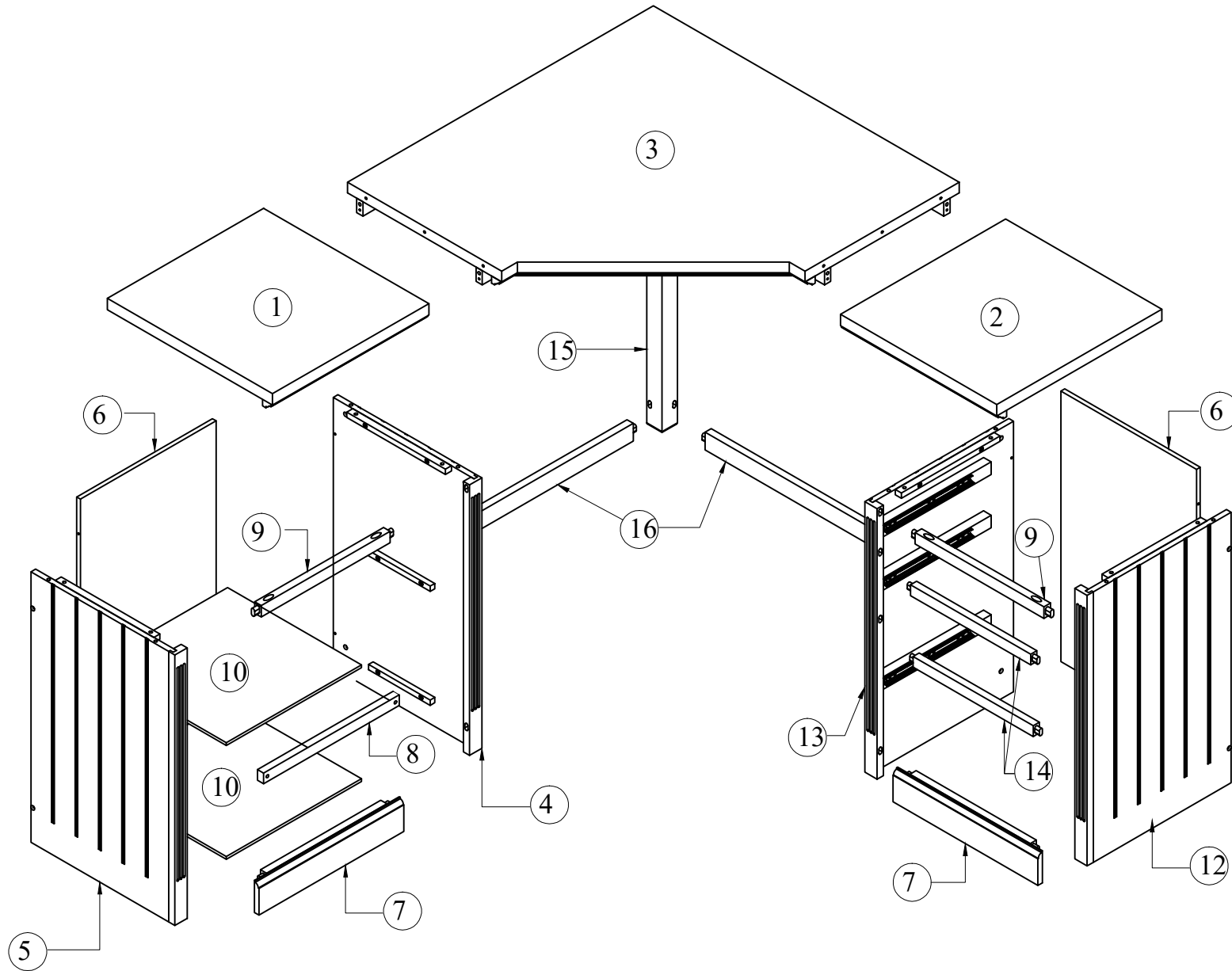
N751P225871
N751P225872



ASSEMBLY INSTRUCTIONS

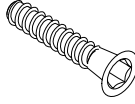
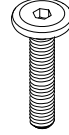
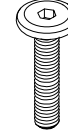
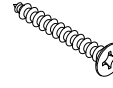

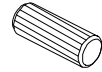


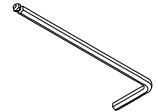


ASSEMBLY INSTRUCTIONS

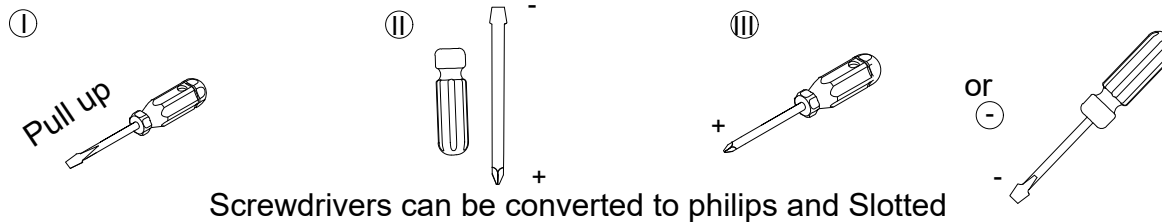


ASSEMBLY INSTRUCTIONS

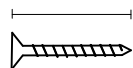
HARDWARE LIST

A  7x40mm Bolt (14pcs)	B  1/4x30mm Bolt (10pcs)	C  1/4x50mm Bolt (2pcs)	D  M4*60mm Screw (10pcs)
E  M4*38mm Screw (24pcs)	F  Dowel Ø8*25 (14pcs)	G  Washer Ø16*1.0T (2pcs)	H  Clamshell handle (3pcs) 5/32x20mm Bolt (6pcs)
I  Allen Key (1pc) Clé Allen (1pc)			

Tool required



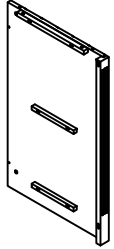
Ruler - Use this ruler to help correctly identify the screws



The crews length is measured from the head to th point (35mm screw shown)

CARTON CONTENT N751P225871

④ x 1



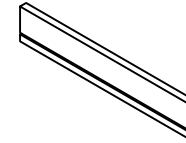
Left inner hip cluster

⑫ x 1



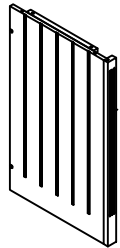
Right outer hip cluster

⑳ x 1



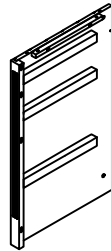
Drawer back panel

⑤ x 1



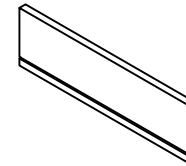
Left outer hip cluster

⑬ x 1



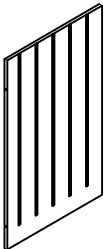
Left hip cluster

㉕ x 1



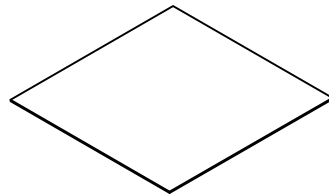
Drawer back panel

⑥ x 1



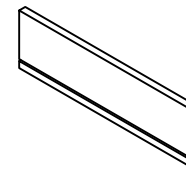
Rear plate

㉑ x 3



Drawer bottom plate

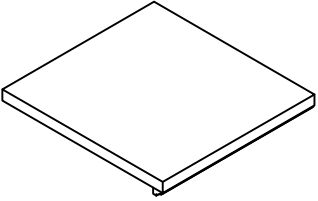
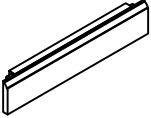
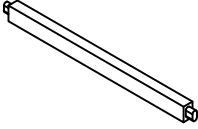
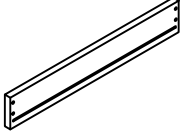
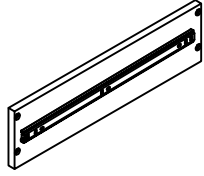
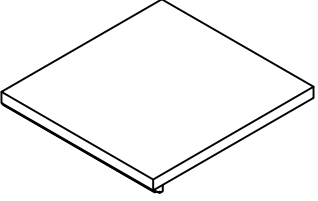
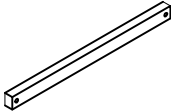
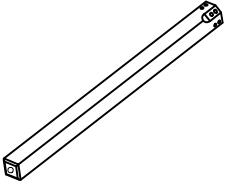
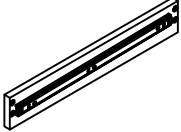
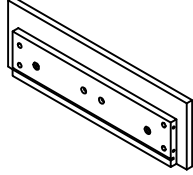
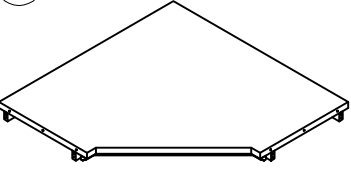
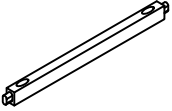
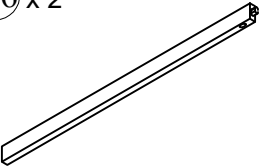
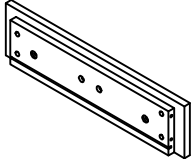
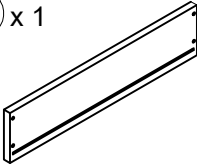
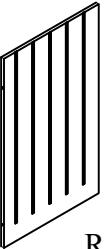
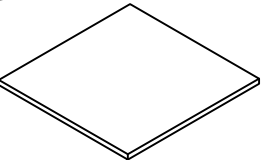
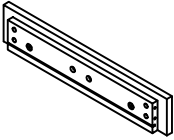
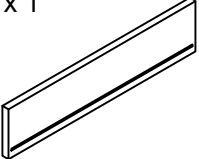
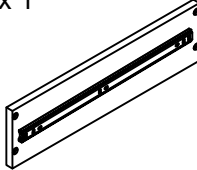
㉙ x 1



Drawer back panel

CARTON CONTENT

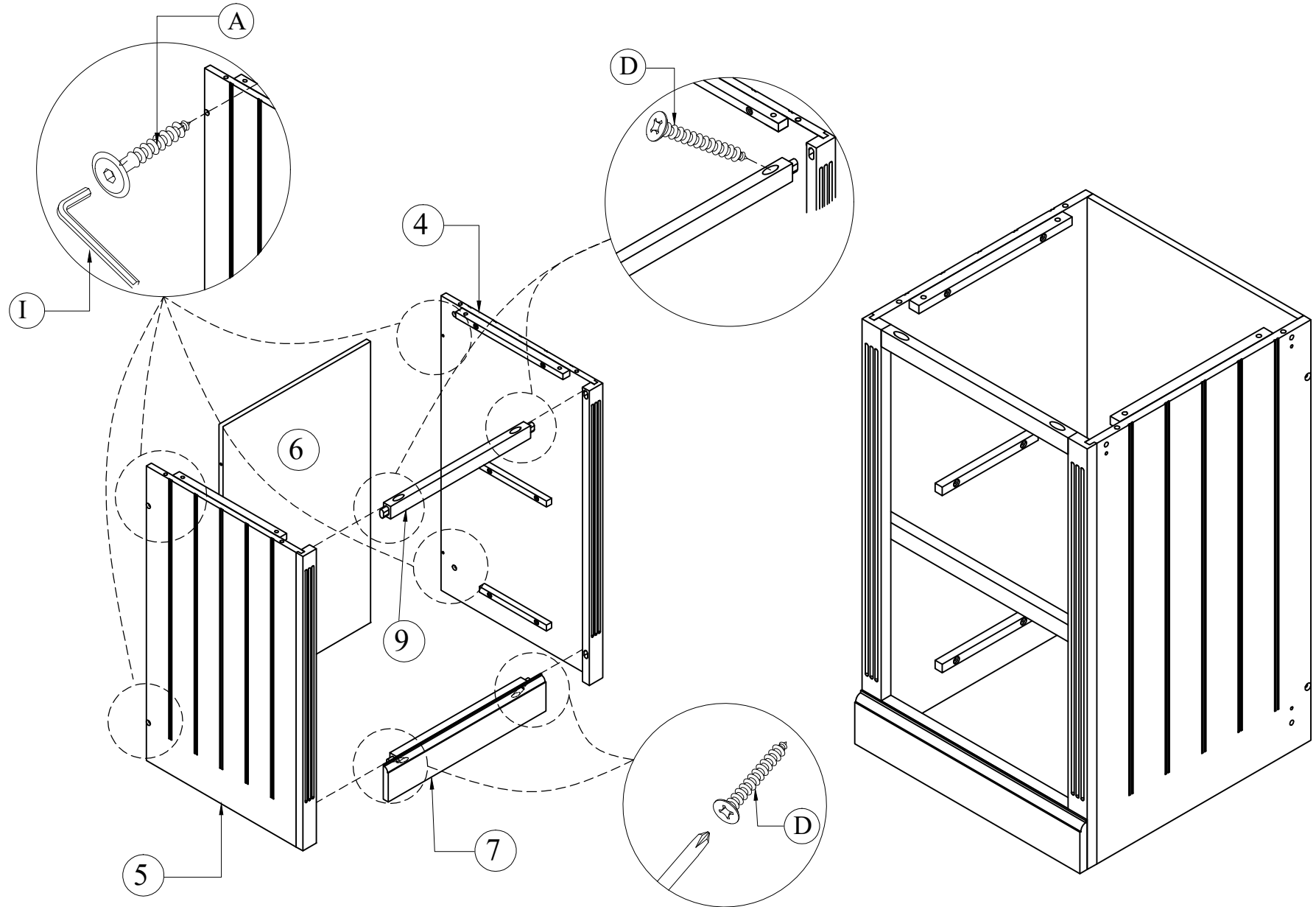
N751P225872

<p>① x 1</p>  <p>Left table top</p>	<p>⑦ x 2</p>  <p>Front lower crossbar</p>	<p>⑭ x 2</p>  <p>Right cabinet brace</p>	<p>⑱ x 1</p>  <p>Left side drawer panel</p>	<p>⑳ x 1</p>  <p>Right side drawer panel</p>	<p>HARDWARE</p>
<p>② x 1</p>  <p>Right table top</p>	<p>⑧ x 1</p>  <p>Left center tie rod</p>	<p>⑮ x 1</p>  <p>Table leg</p>	<p>⑲ x 1</p>  <p>Right side drawer panel</p>	<p>㉑ x 1</p>  <p>Drawer face</p>	
<p>③ x 1</p>  <p>Center table top</p>	<p>⑨ x 2</p>  <p>Upper tie rod</p>	<p>⑯ x 2</p>  <p>Leg link bar</p>	<p>㉒ x 1</p>  <p>Drawer face</p>	<p>㉓ x 1</p>  <p>Left side drawer panel</p>	
<p>⑥ x 1</p>  <p>Rear plate</p>	<p>⑩ x 2</p>  <p>Bottom plate</p>	<p>⑰ x 1</p>  <p>Drawer face</p>	<p>㉔ x 1</p>  <p>Left side drawer panel</p>	<p>㉕ x 1</p>  <p>Right side drawer panel</p>	

ASSEMBLY INSTRUCTIONS

STEP 1

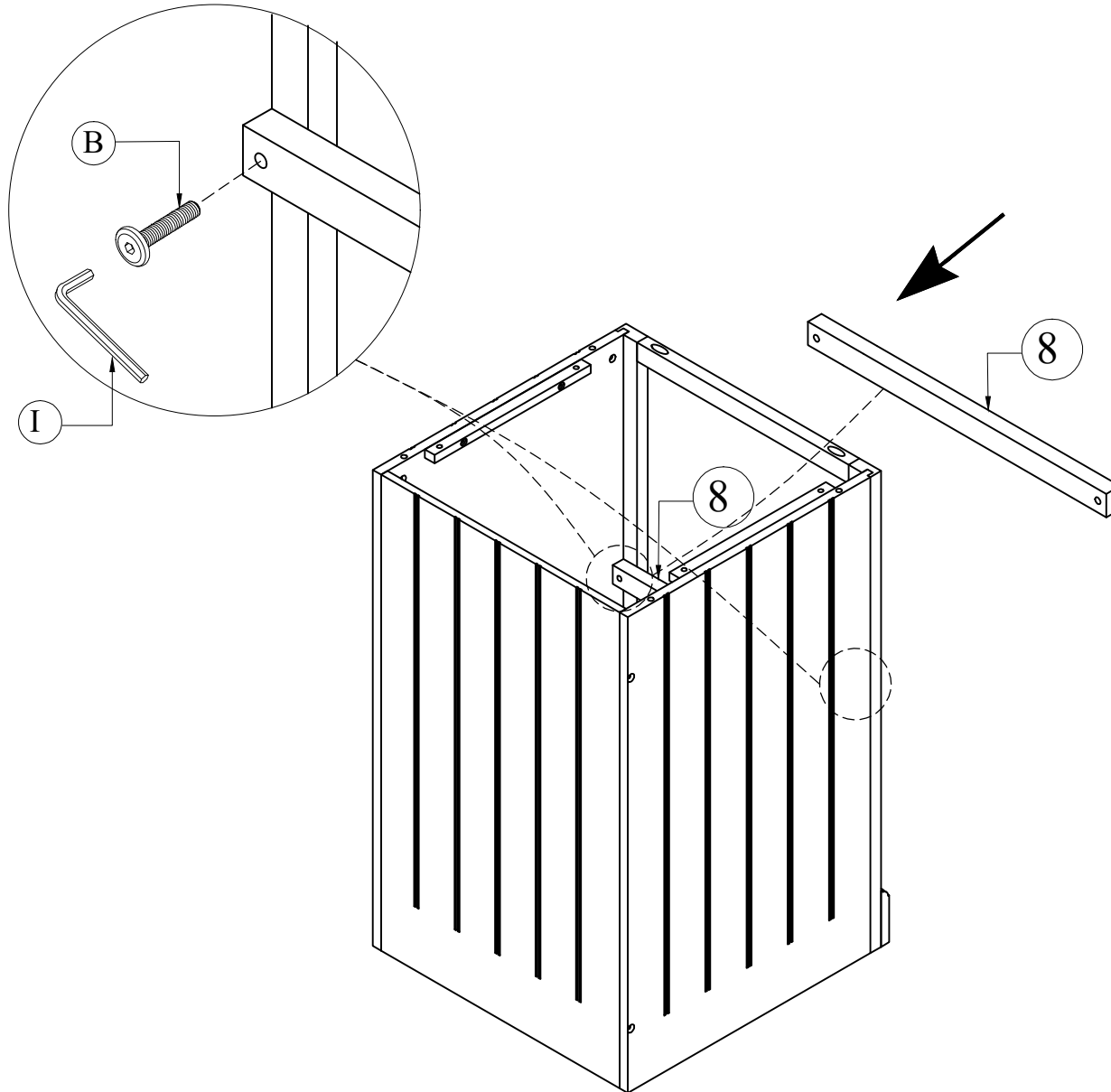
- Ⓐ x 4
- Ⓓ x 4
- Ⓘ x 1
- ④ x 1
- ⑤ x 2
- ⑥ x 1
- ⑦ x 1
- ⑨ x 1



ASSEMBLY INSTRUCTIONS

STEP 2

- ⓑ x 2
- Ⓢ x 1
- ⑧ x 1



ASSEMBLY INSTRUCTIONS

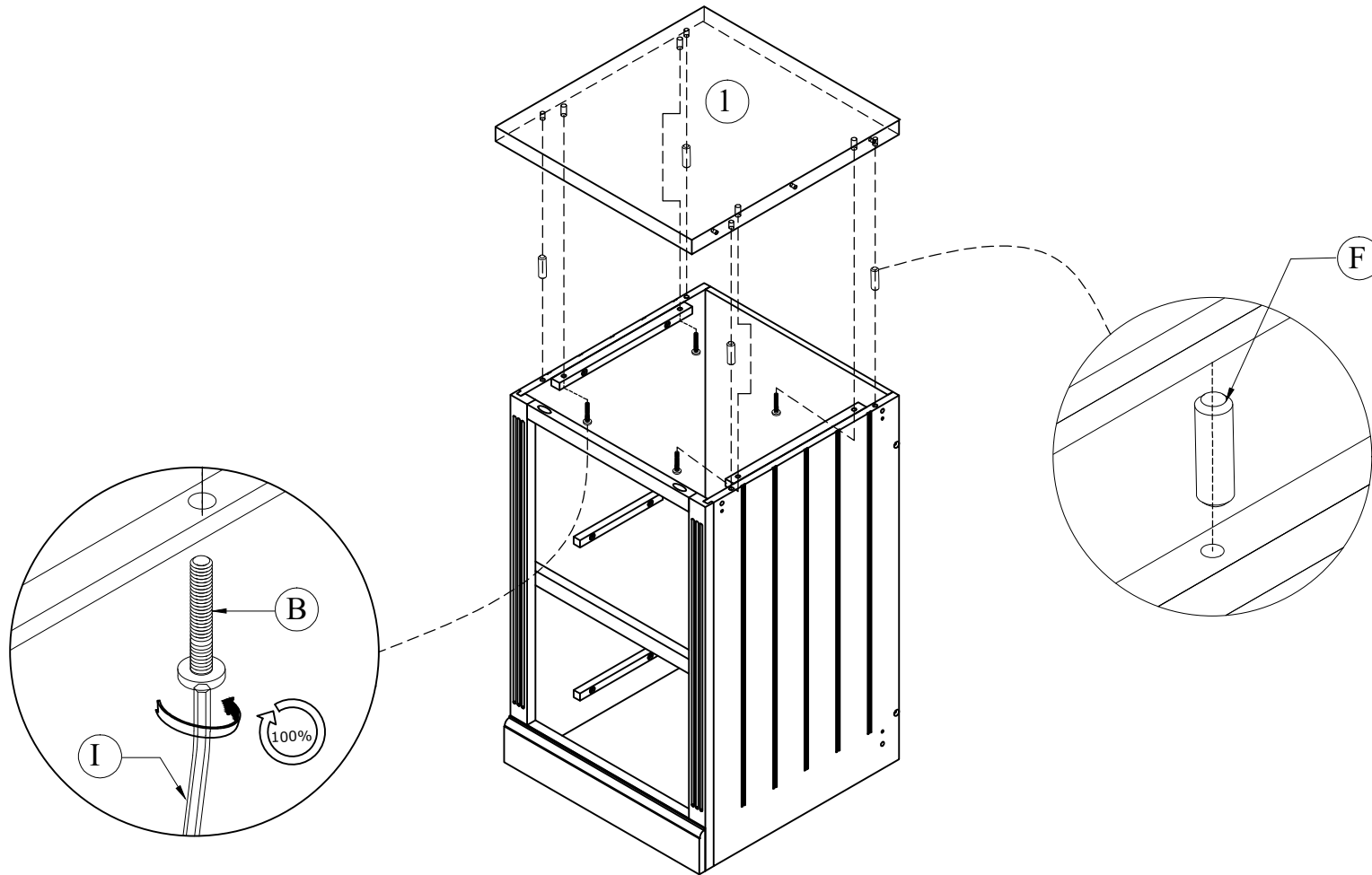
STEP 3

ⓑ x 4

ⓕ x 4

Ⓢ x 1

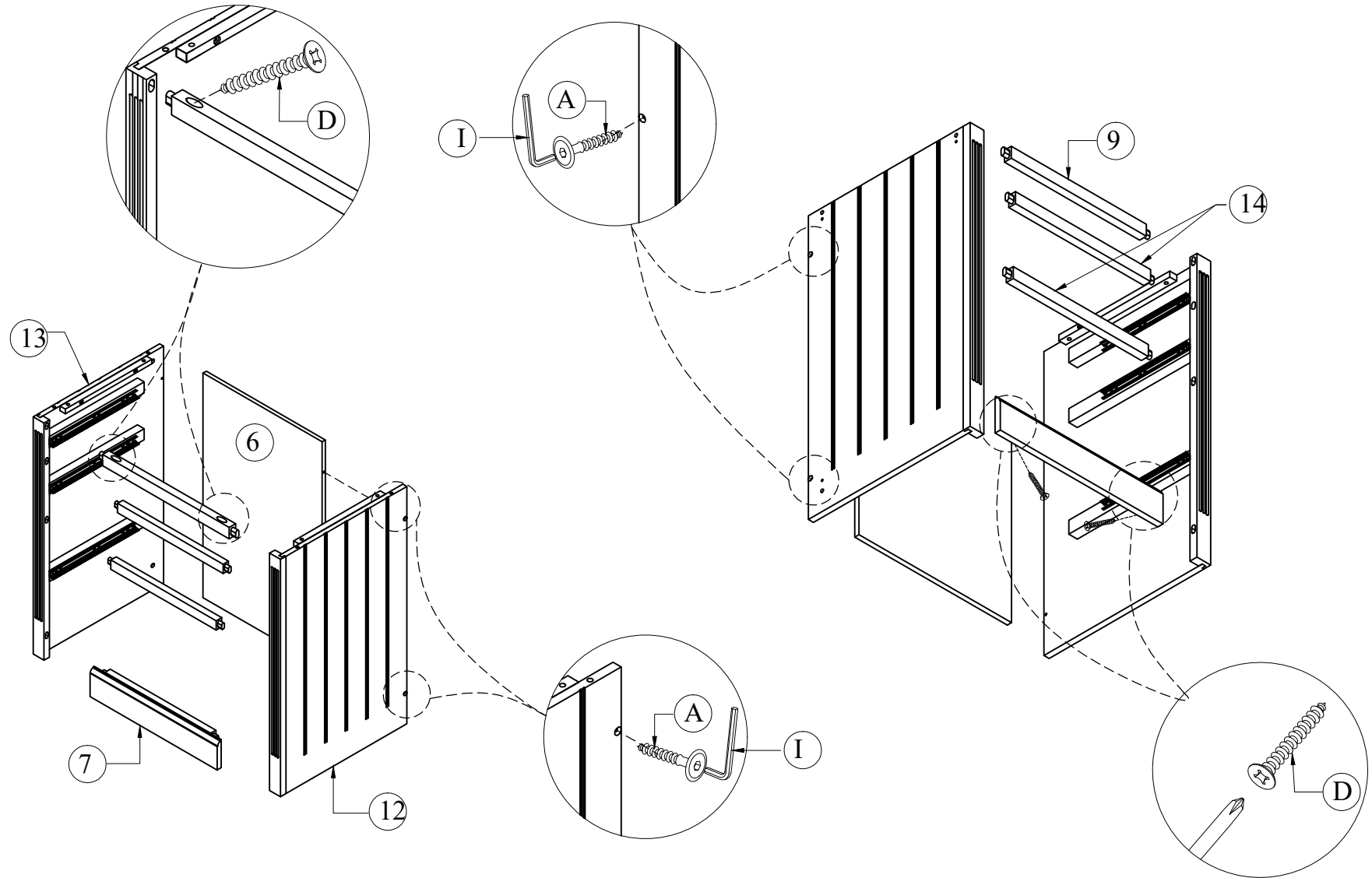
① x 1



ASSEMBLY INSTRUCTIONS

STEP 4

- Ⓐ x 4
- Ⓓ x 4
- Ⓘ x 1
- Ⓔ x 1
- Ⓙ x 1
- Ⓟ x 1
- Ⓛ x 1
- Ⓛ x 1
- Ⓜ x 2



ASSEMBLY INSTRUCTIONS

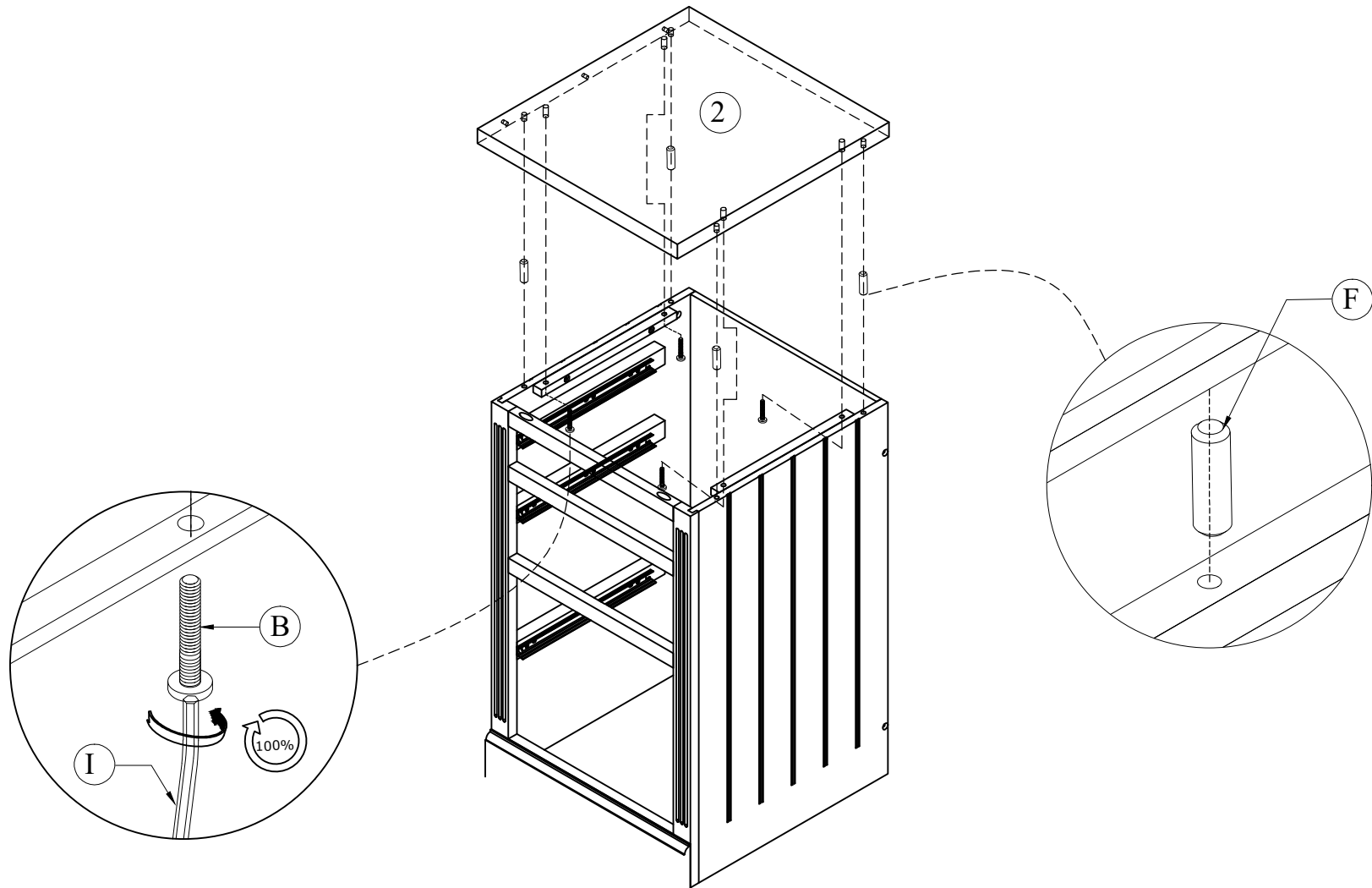
STEP 5

ⓑ x 4

ⓕ x 4

Ⓢ x 1

② x 1



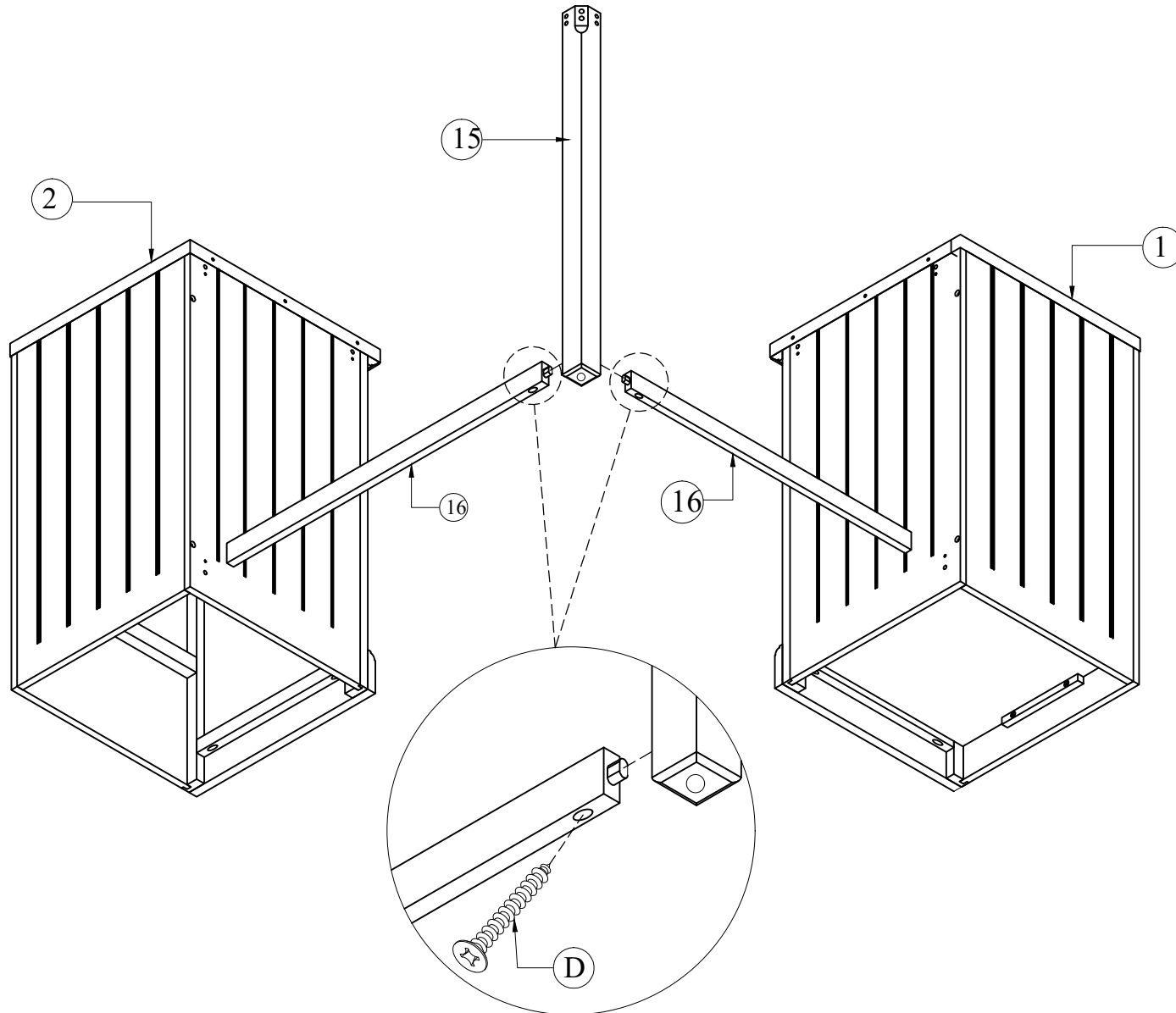
ASSEMBLY INSTRUCTIONS

STEP 6

ⓓ x 2

15 x 1

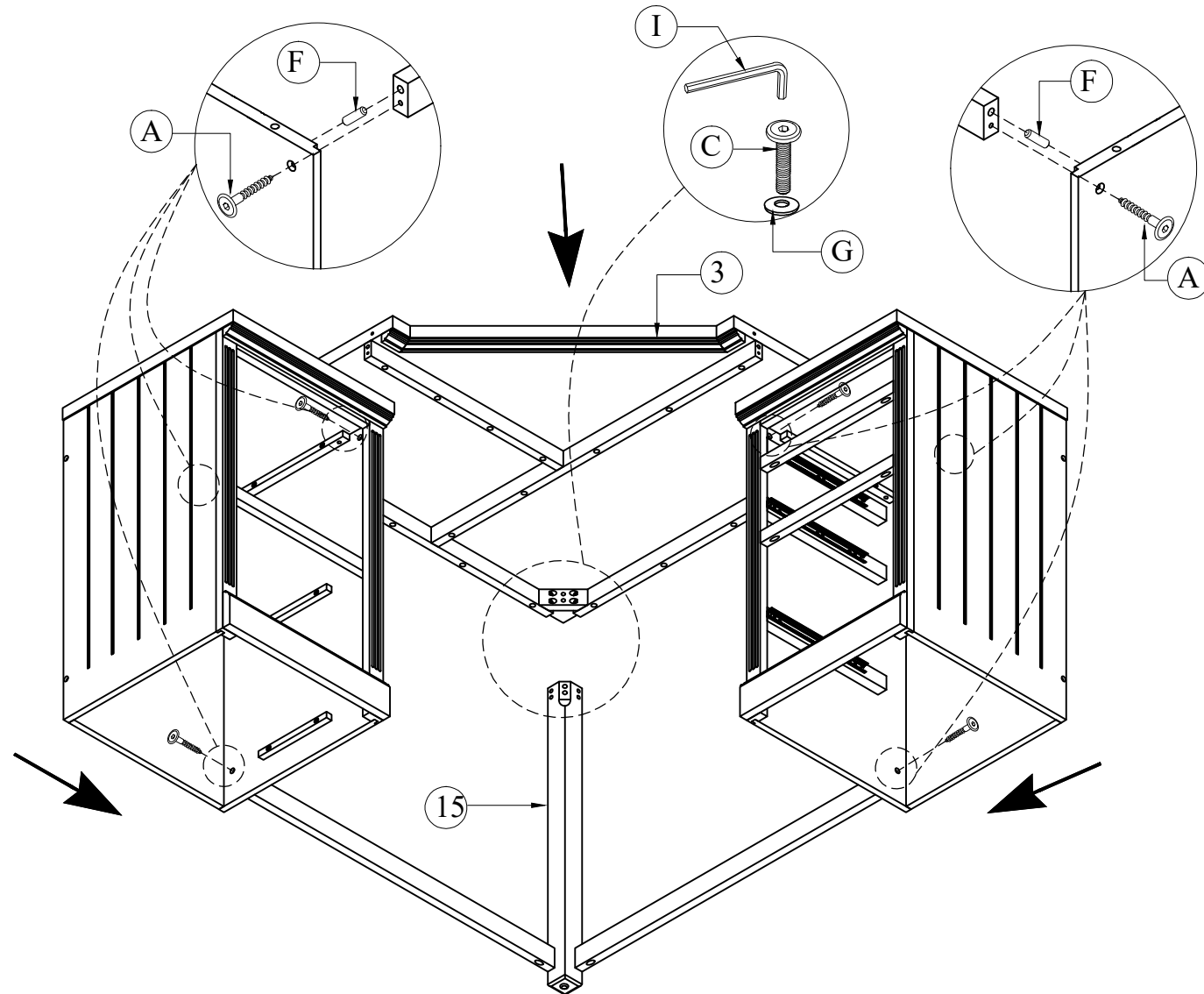
16 x 2



ASSEMBLY INSTRUCTIONS

STEP 7

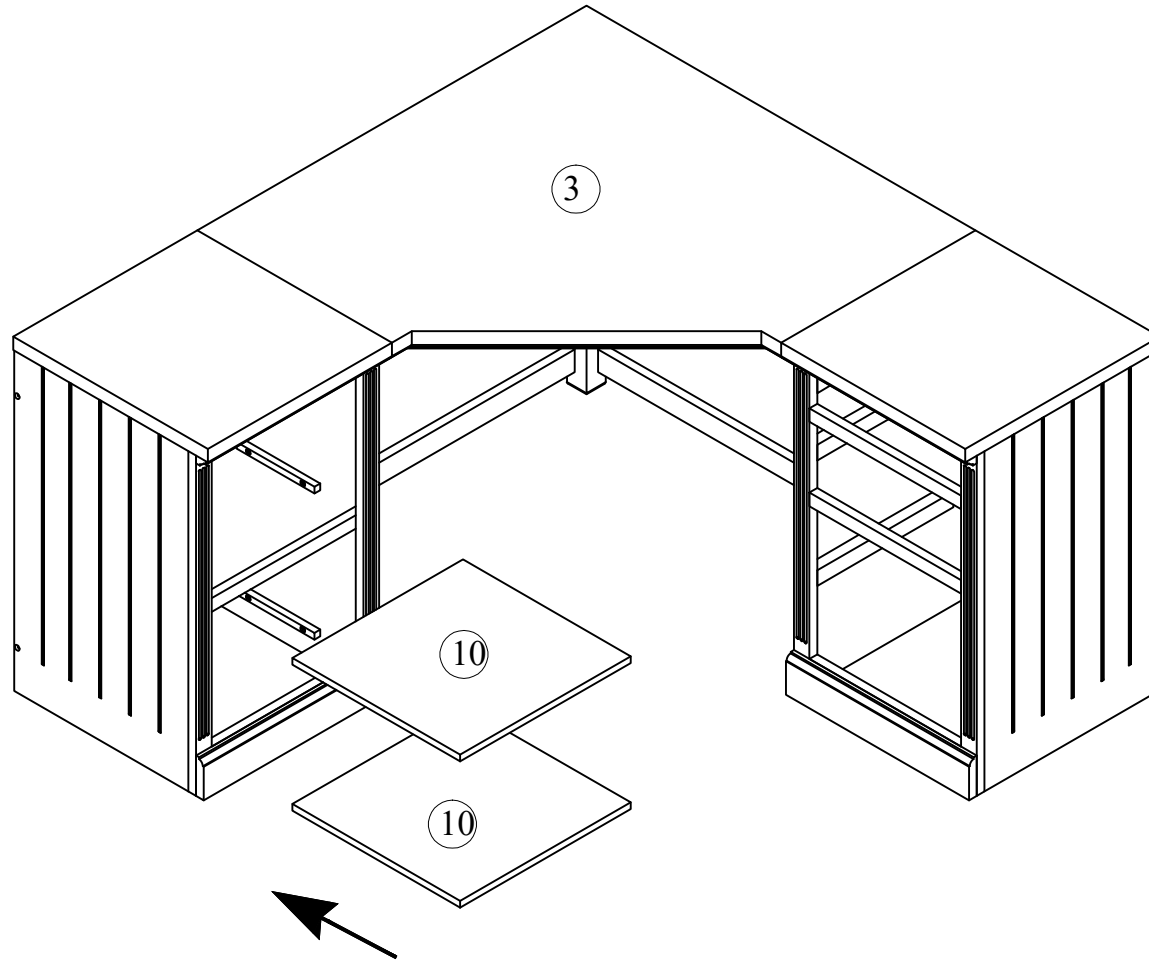
- Ⓐ x 6
- Ⓒ x 2
- Ⓖ x 2
- Ⓕ x 6
- Ⓘ x 1
- Ⓝ x 1



ASSEMBLY INSTRUCTIONS

STEP 8

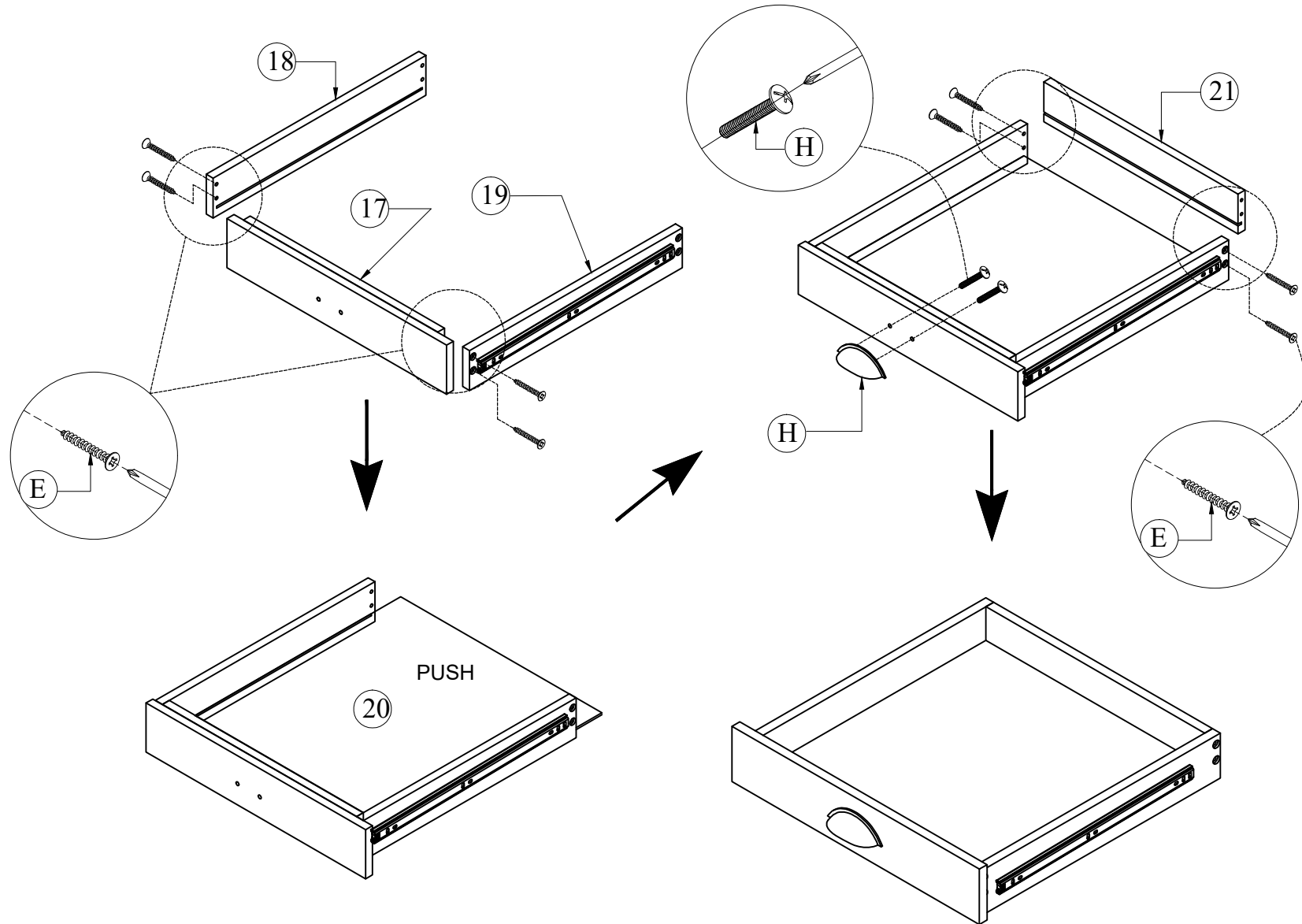
⑩ x 2



ASSEMBLY INSTRUCTIONS

STEP 9

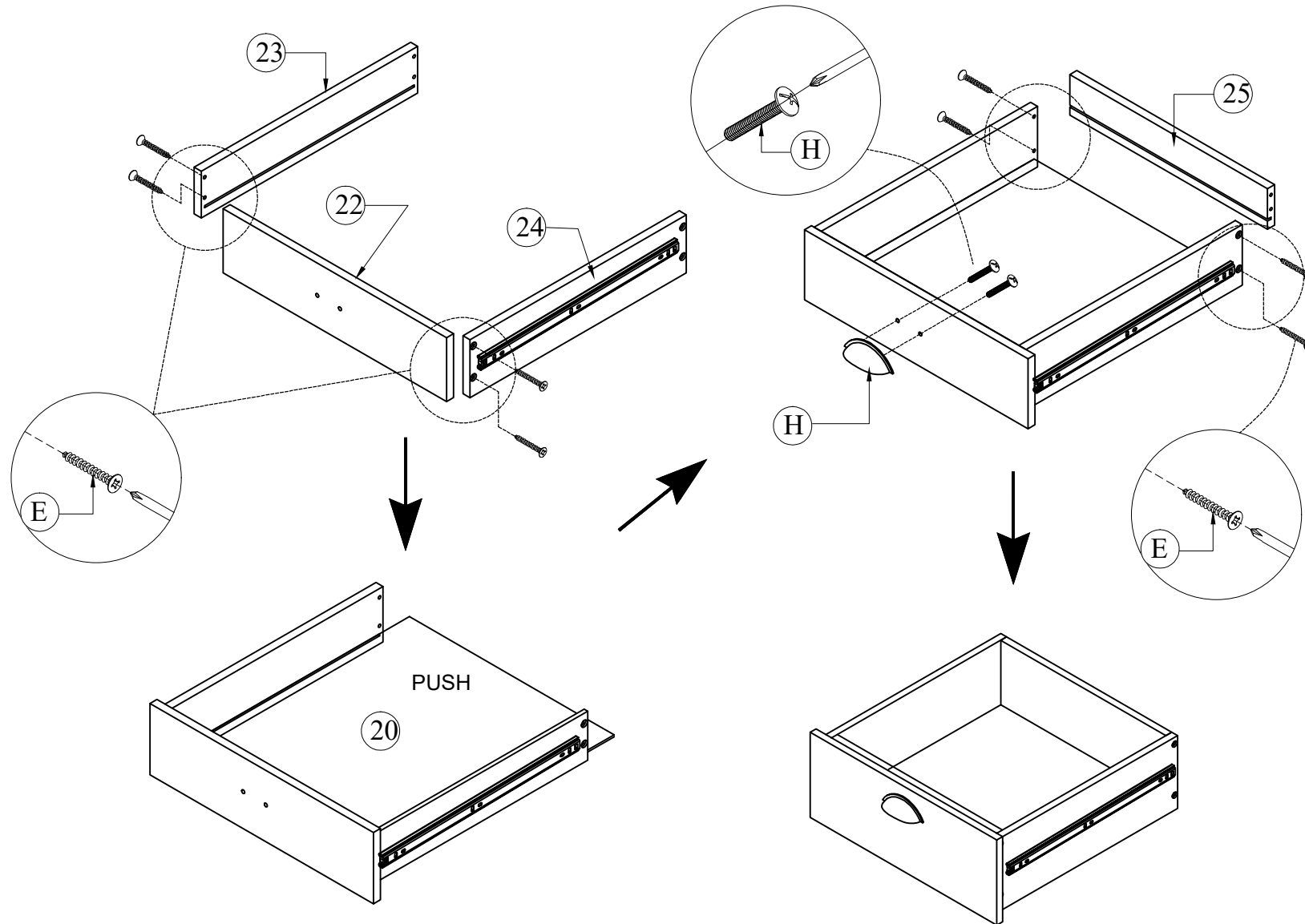
- Ⓔ x 8
- Ⓕ x 1
- Ⓖ x 1
- Ⓗ x 1
- Ⓙ x 1
- Ⓚ x 1
- Ⓛ x 1



ASSEMBLY INSTRUCTIONS

STEP 10

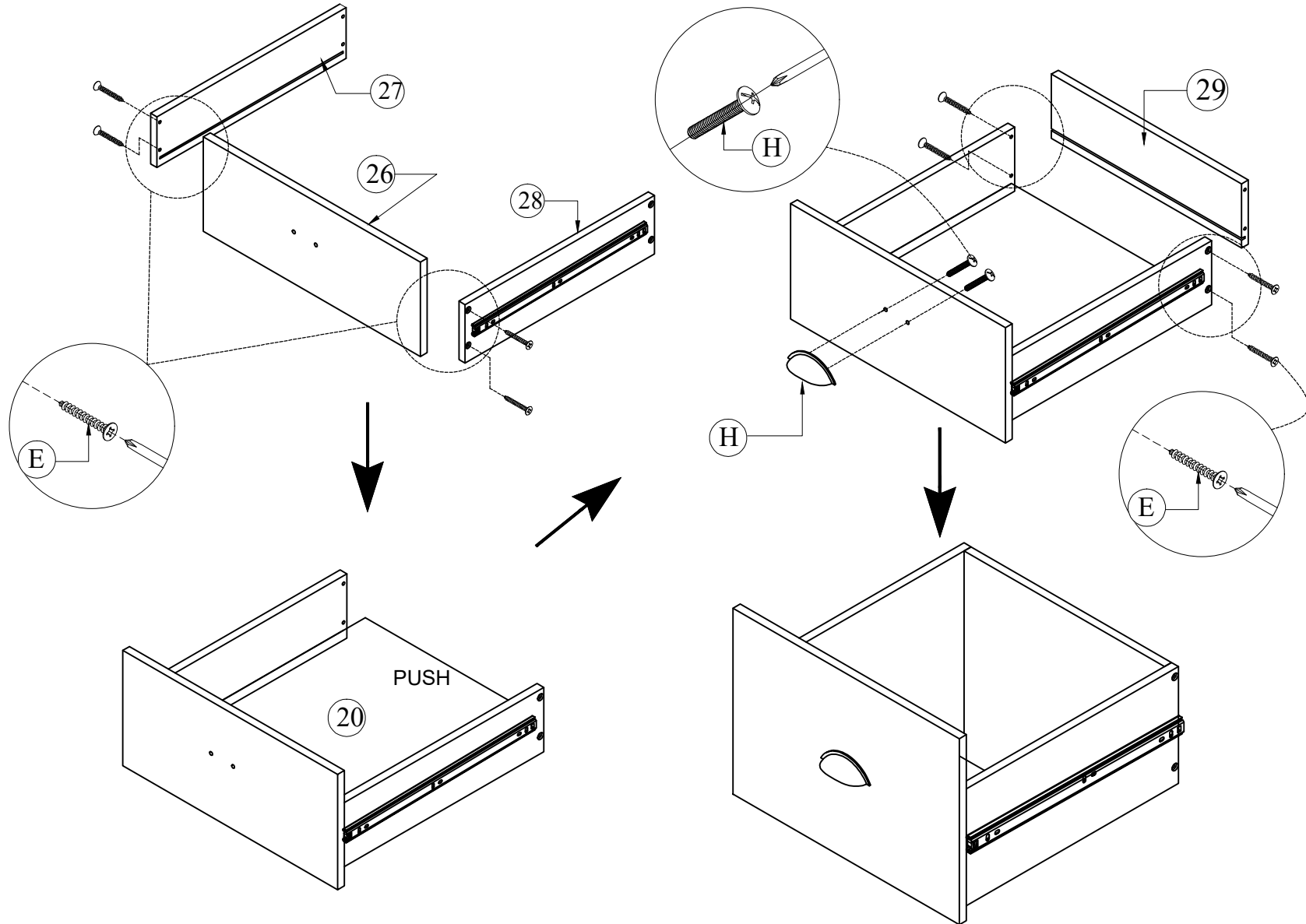
- ⓔ x 8
- ⓓ x 1
- ⓐ x 1
- ⓑ x 1
- Ⓒ x 1
- Ⓓ x 1
- Ⓔ x 1



ASSEMBLY INSTRUCTIONS

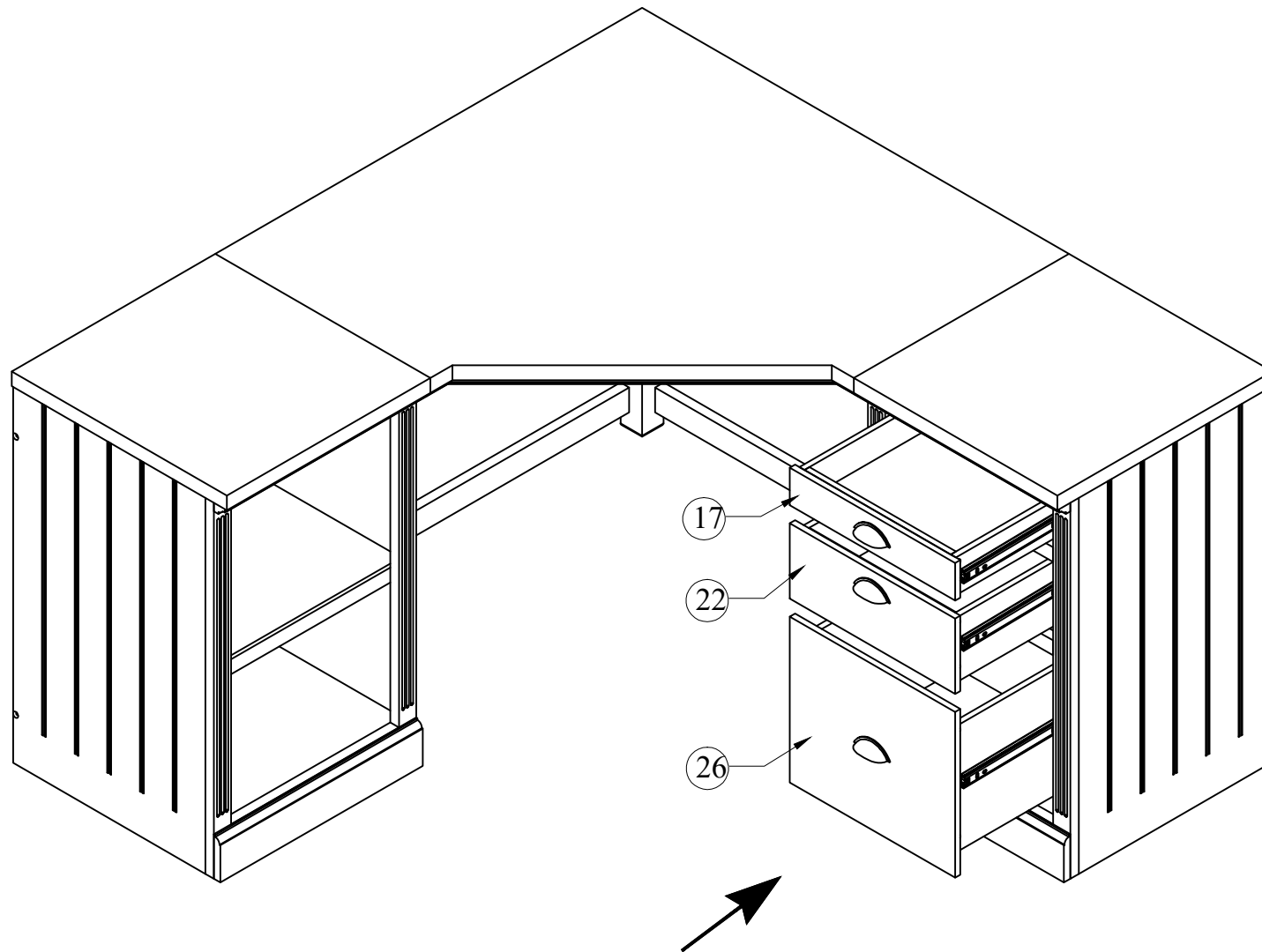
STEP 11

- Ⓔ x 8
- Ⓕ x 1
- Ⓗ x 1
- Ⓘ x 1
- Ⓝ x 1
- Ⓞ x 1
- Ⓟ x 1



ASSEMBLY INSTRUCTIONS

STEP 12



ASSEMBLY INSTRUCTIONS

FINISH

