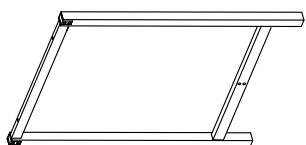
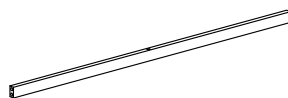


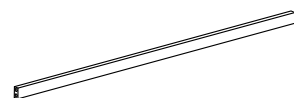
A×1PC



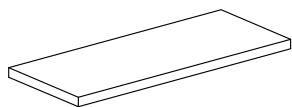
B×2PCS



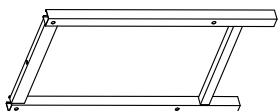
C×2PCS



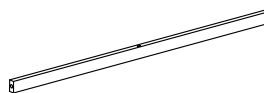
D×1PC



E×1PC



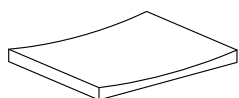
F×2PCS



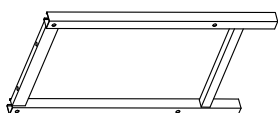
G×2PCS



H×2PCS



I×2PCS



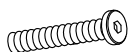
J×4PCS



K×4PCS



L×4PCS



M6×45mm

M×24PCS



M6×40mm

N×18PCS



M6×20mm

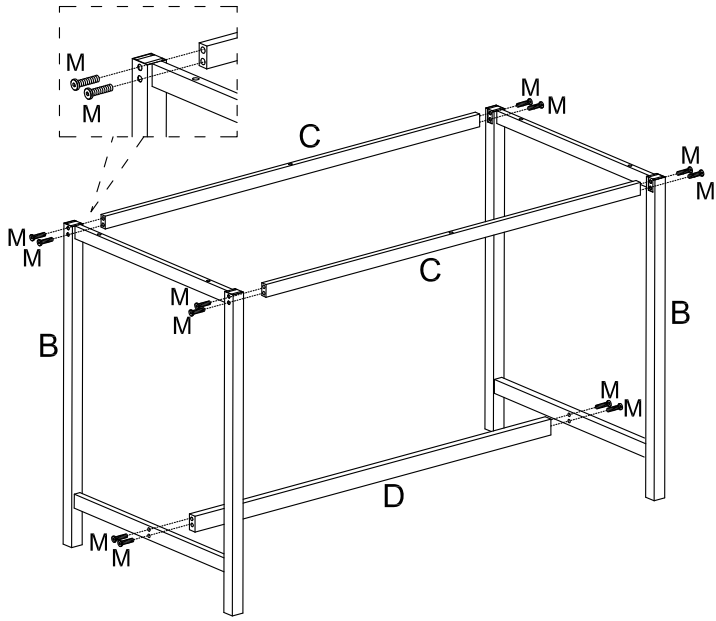
O×12PCS



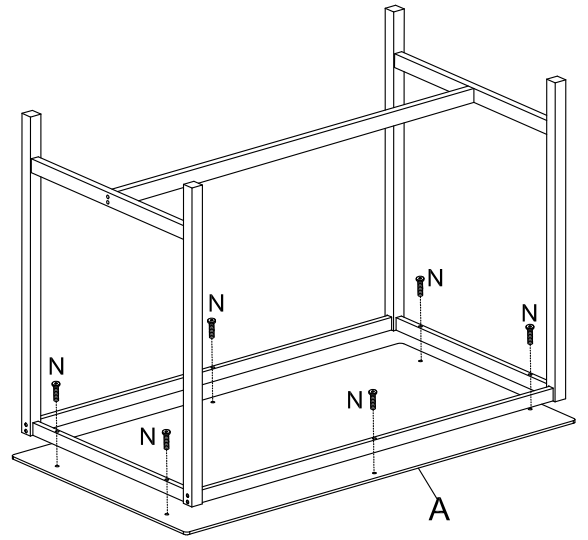
M4

P×1PC

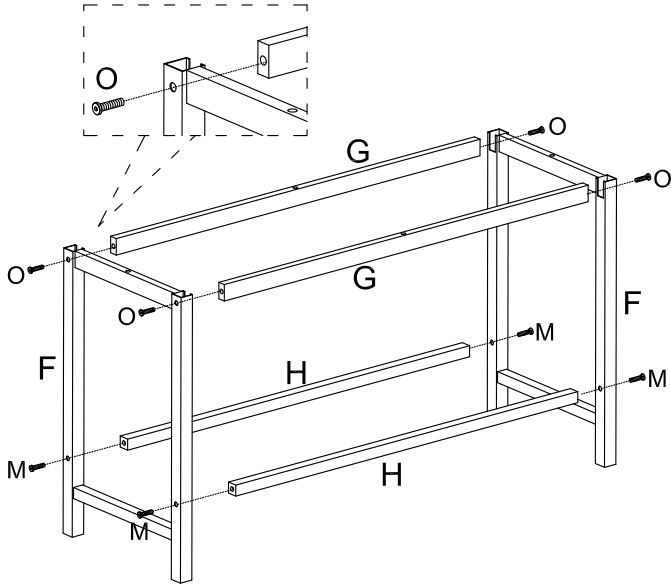
### Step 1



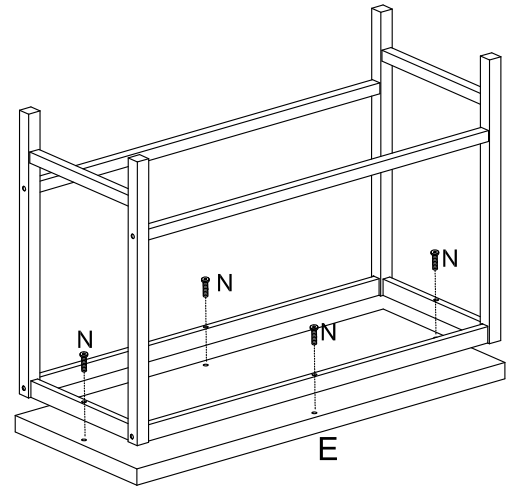
### Step 2



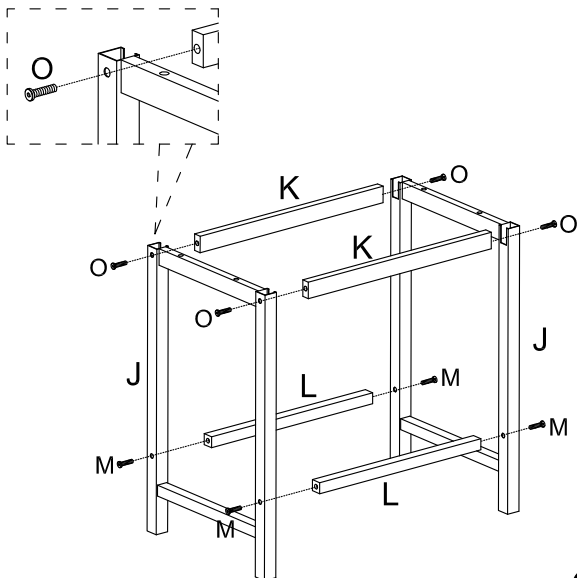
### Step 3



### Step 4

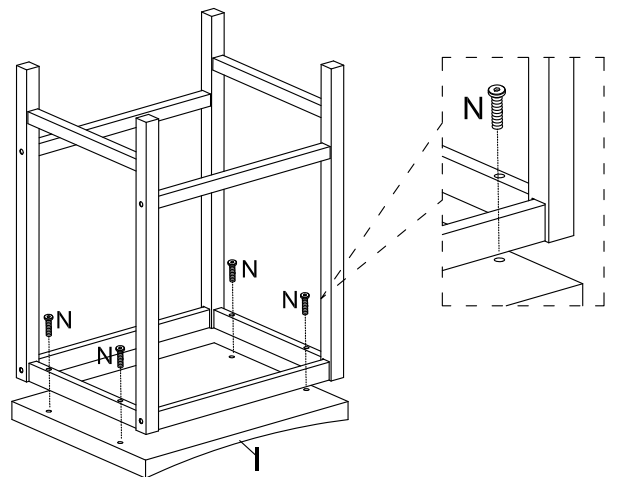


### Step 5



×2

### Step 6



×2