

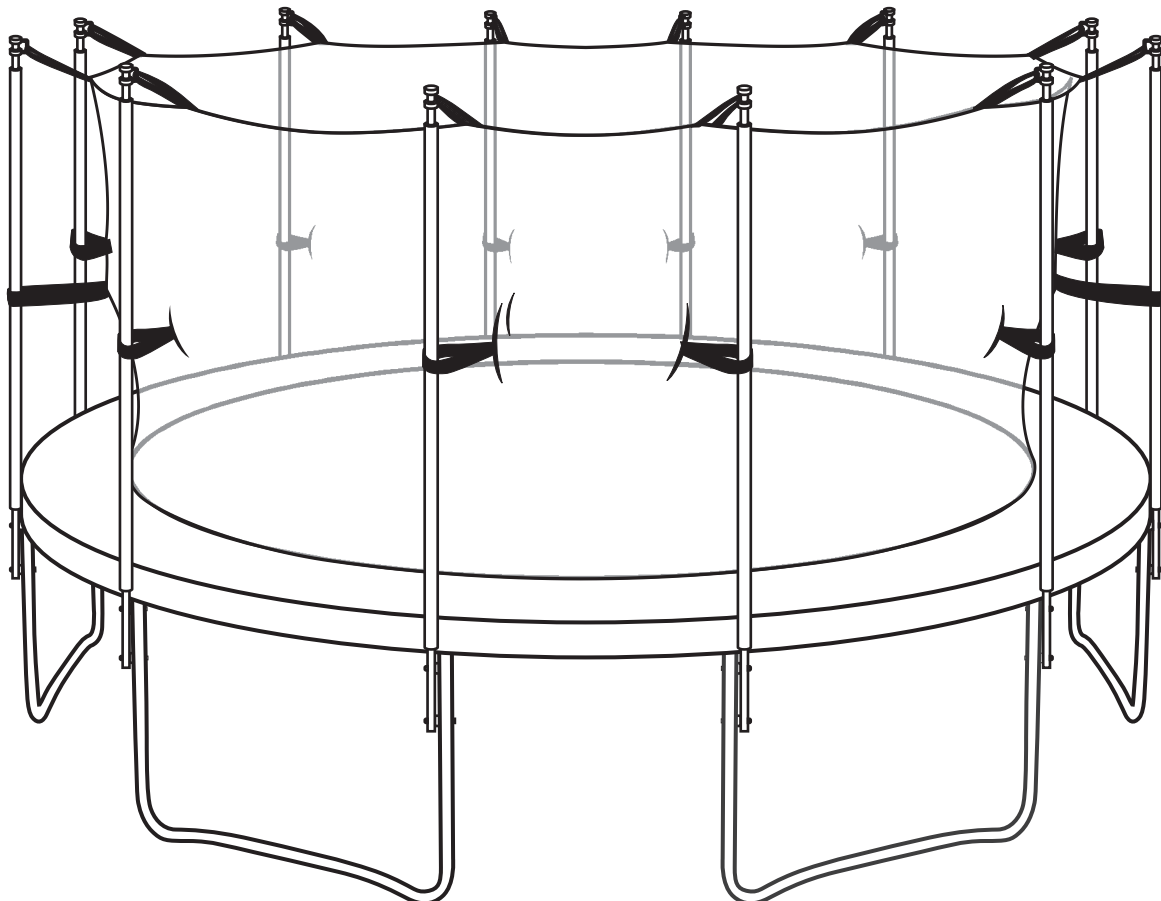


Upper Bounce Enclosure Set and Enclosure Net User Manual

Assembly, Installation, Care, Maintenance and Use Instructions.

This Instructions manual is for Upper Bounce Enclosure Sets and Enclosure Nets which is designed to fit most model Trampolines.

- ▶ **For Models begins with UBES: for Inside type Enclosure Sets**
- ▶ **For Models begins with UBESOS: for Outside Type Enclosure Sets**
- ▶ **For Models begins with UBNET: for Enclosure Nets Only**





Call us

US 1-888-965-3331

UK +442031500484 and
Toll free 0888-965-3331



Email us

support@upperbounce.com



Check our website

www.upperbounce.com

THANK YOU FOR PURCHASING THE UPPER BOUNCE[®] TRAMPOLINE PART

Simply follow the assembly and safety instructions in this manual and you will soon be starting your **UPPER BOUNCE[®]** exercise program for a happier, healthier lifestyle! and fun.

Should you have any questions, please call our Customer Service Department
Toll-free number: **1-888-965-3331**

MONDAY - THURSDAY 9:30 A.M. - 5:00 P.M. Eastern Time.	FRIDAY 9:00 A.M. - 12:00 P.M. Eastern Time.
--	--

TABLE OF CONTENTS

	Page
Measuring Tips For Enclosure Set	3
Measuring Tips For Enclosure Net	4
Enclosure Set Package Contents	5
Pole Assembly	6
Inside type Enclosure Net Assembly	8
Outside type Enclosure Net Assembly	9
Arch type Net Enclosure Net Assembly	10
Ring on top Enclosure Net Assembly	11
Warnings	13

Thank you for choosing Upper Bounce for your trampoline and trampoline replacement needs! When you select Upper Bounce®, you are choosing high quality trampolines, or replacement parts and accessories. At Upper Bounce® we think about "fun and safety" for the whole family!

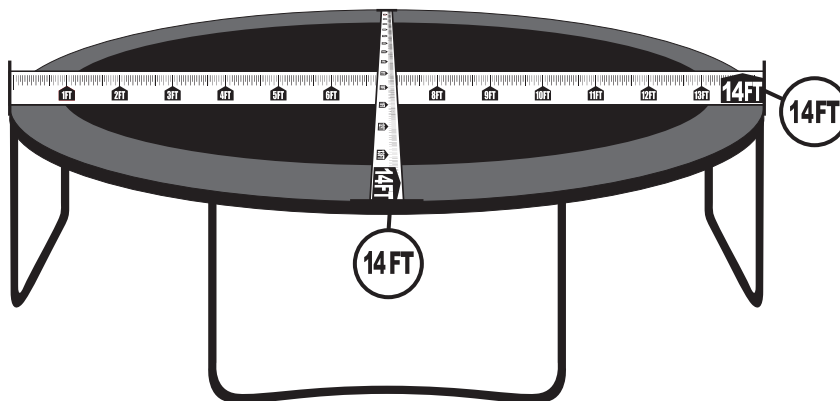
Before you are ready to start installing your new Enclosure Set, please verify that the enclosure set you are going to install matches the trampoline size you have.

Measuring Tips For Enclosure Set

These are the steps to make sure you purchased the right Enclosure Set:

STEP 1 FRAME SIZE

Measure your frame from one outside edge vertically and horizontally to the other outside edge so you get the correct measurements.



STEP 2 POLE AMOUNT

Count the legs. The amount of W shaped legs you have that's the amount of poles you will need.

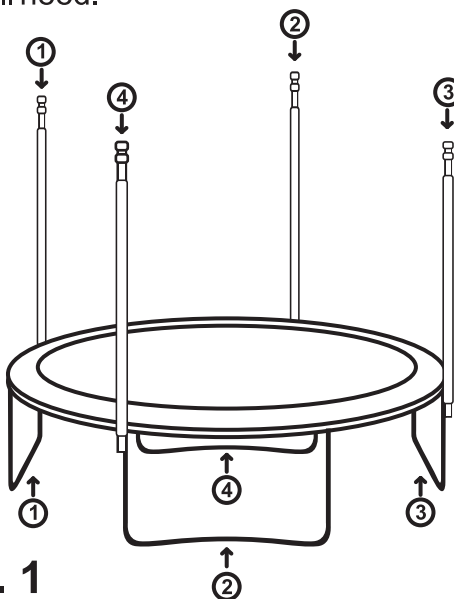


Fig. 1

or connect 2 poles to each leg as shown in figure 2.

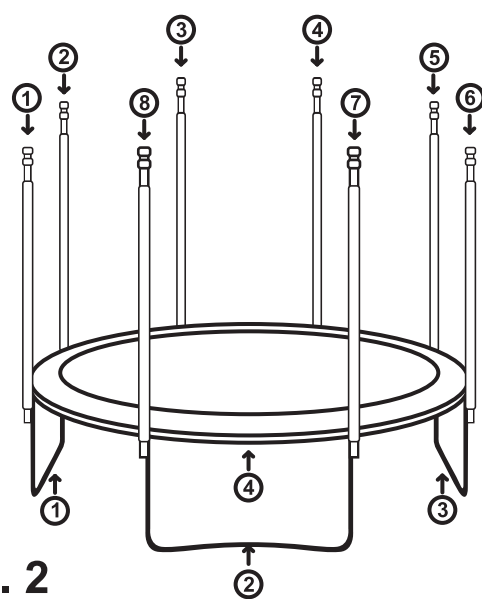
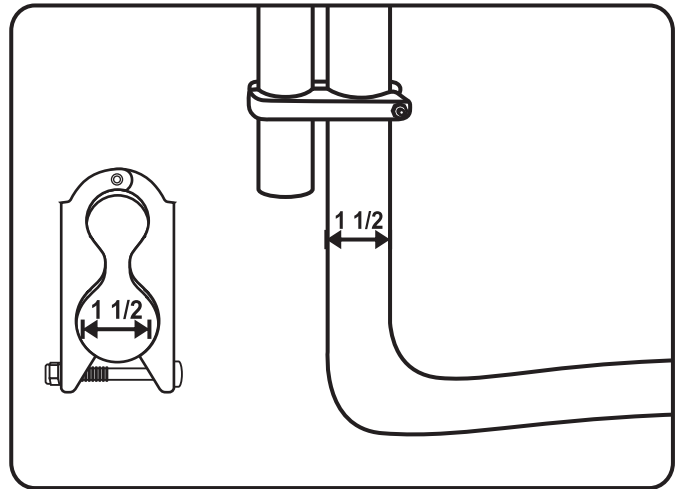


Fig. 2

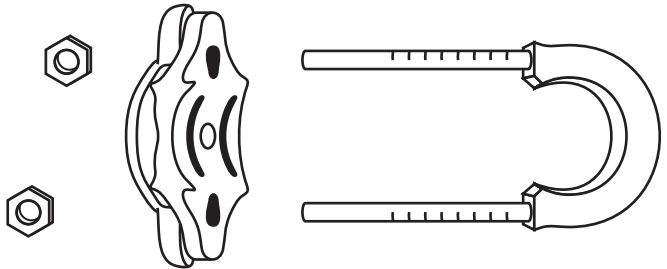
For example - if your legs count is 6 W shaped legs you need 6 poles. If it counts 4 legs you can either take 4 poles for every second leg (Fig. 1) or 8 poles (Fig. 2).

STEP**3****POLE CONNECTOR**

Check the diameter of the leg to make sure the pole connecting tool fits your Trampoline, If the Pole diameter is 1 inch you need to look for a 1 inch connector if its 1 ½ you need a 1 ½ connector.



Note: You can also connect the poles to the leg with U shape connector Model UBHWD-UB-12 for set of 12 and model UBHWD-UB-16 for set of 15.



Based on the **1) Frame Size** **2) Leg Amount** **3) Leg Diameter**

Determine if you bought the correct Enclosure Set

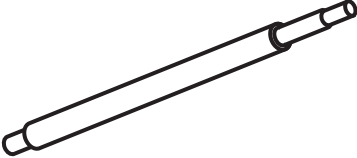
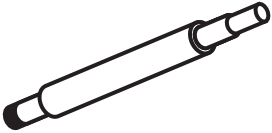
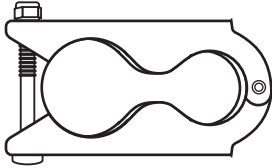



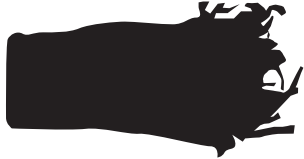
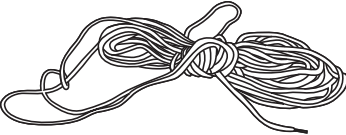
Measuring Tips For Enclosure Net

If you purchased an enclosure net only

1. Make Sure the Net size matches the frame size (see above how to measure the frame size).
2. Make sure the poles/arch amount of the product matches the amount of your trampoline.
3. Make sure the height of the product is matching to the height of your existing poles or arches.

Height chart of all type of nets	
7.5 ft	65"
8 ft	65"
10 ft	64"
12 ft and +	71"

ENCLOSURE SET PARTS LIST

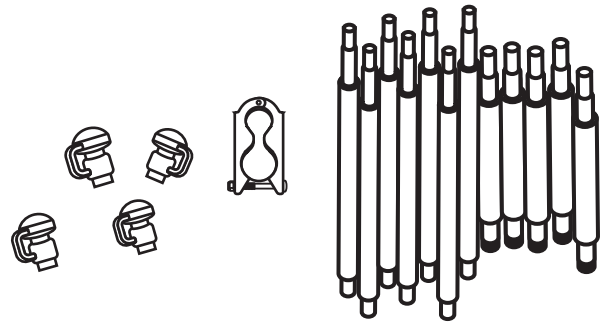
ITEM	PART IMAGE	NAME	QUANTITY		
			MODELS		
			UBES104 UBES124 UBES144 UBESOS124	UBES86, UBES126 UBES146, UBES156 UBES106, UBES136 UBES166, UBESOS7.56 UBESOS126, UBESOS136 UBESOS146, UBESOS156	UBES128, UBES148, UBES158, UBES138 UBESOS138, UBESOS148 UBESOS158
A		Upper Pole	4	6	8
B		Lower Pole	4	6	8
C		Clamp Tool Set	8	12	16
D		Tool	1	1	1
E-1	For Inside Type 	Pole Cap	4	6	8
E-2	For Outside Type 				
F		Enclosure Net	1	1	1
G		Big Rope	1	1	1

Pole Installation Instructions

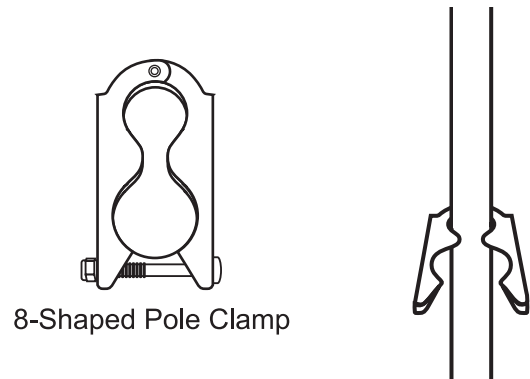
Warning :

2 adults in good physical condition are required for the following assembly. Wear proper shoes and maintain balance to prevent a fall. Failure to follow all instructions and warnings may result in serious injury.

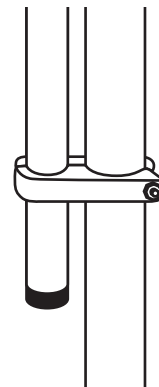
1. First, place all parts to be used in the process of installation in front of you.



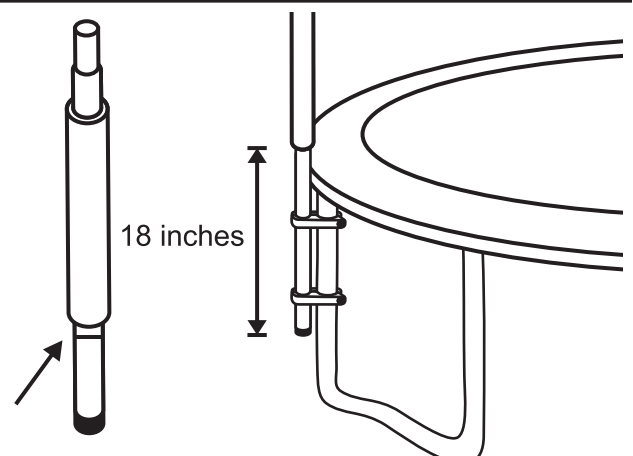
2. Take the clamp and clasp the trampoline pole into the smaller hole of the 8-Shaped Pole Clamp. (serves as the pole and leg connector),



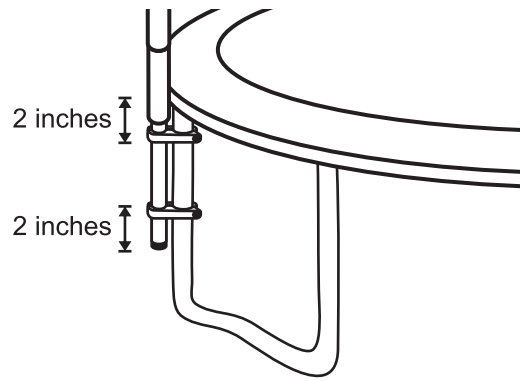
3. Once the pole is securely inserted into the clamp you can now clasp the leg into the larger hole of the clamp. Making sure that the black rubber cap of the lower pole faces down.



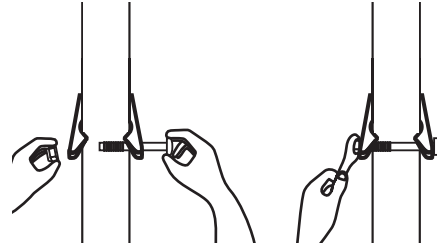
4. Be aware that the mark on the lower pole needs to align with the trampoline frame. If there is no line on the pole then please have it attached 18" below the frame.



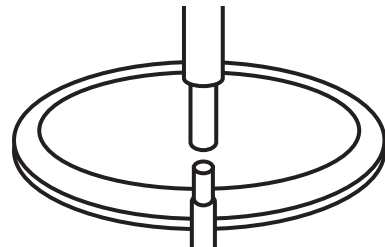
5. The set comes with 2 clamps per pole. One being attached 2" **below frame**, while the other being attached 2" **above the end of the lower pole**.



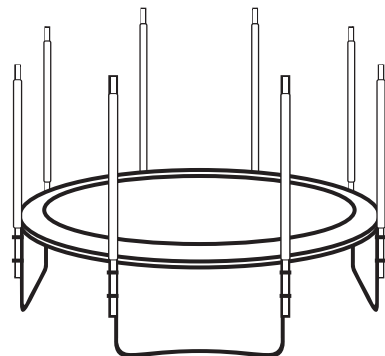
6. Feed the screw through the screw hole thus tightening the clamp to securely connect it to your trampoline leg with the tool included.



7. Now you can have the upper part of the pole inserted into the lower part that is already attached to the leg.

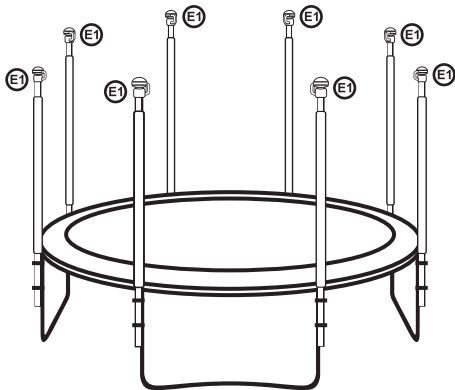



8. Repeat the steps above to have all your enclosure poles connected securely to your trampoline legs.

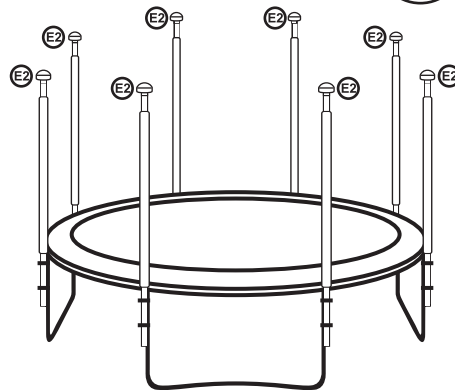


9. After connecting all Enclosure Poles insert the Pole caps, if you have an Inside Type Net use part number E1 and for outside type Net use E2

For inside Type Net E-1 



For outside type Net E-2 



After you installed the Poles you should install the Enclosure Net, for instructions how to install the Enclosure Net see next page for the inside type model and the outside type choose the one applies to your purchase,

Net Installation Instructions

INSIDE TYPE MODELS

Enclosure Nets	
UBES86	UBES148
UBES104	UBES156
UBES124	UBES158
UBES144	UBES106
UBES126	UBES136
UBES128	UBES138
UBES146	UBES166

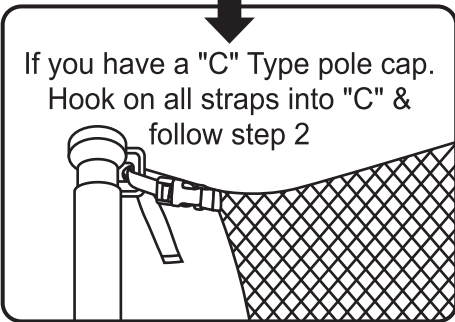
Enclosure Sets	
UBNET-8-6-IS	UBNET-13-8-IS
UBNET-10-4-IS	UBNET-14-4-IS
UBNET-10-6-IS	UBNET-14-6-IS
UBNET-12-8-IS	UBNET-14-8-IS
UBNET-12-4-IS	UBNET-15-6-IS
UBNET-12-6-IS	UBNET-15-8-IS
UBNET-13-6-IS	UBNET-16-6-IS

STEP 1

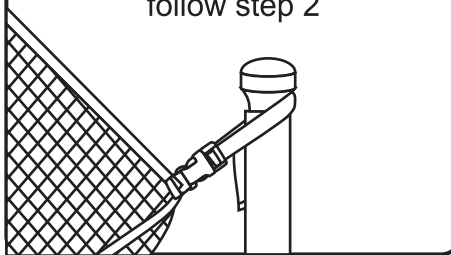
POLE STRAPS

If you Purchased a Enclosure Set use this Step

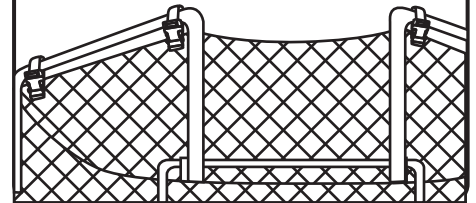
If you have a "C" Type pole cap. Hook on all straps into "C" & follow step 2



If you have a plain pole cap wrap all straps around cap & follow step 2



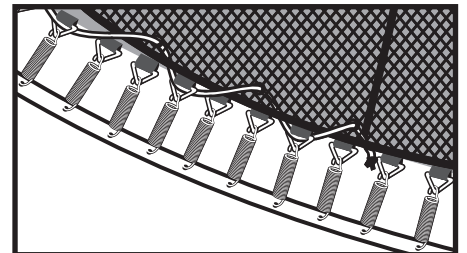
If Your Trampoline has Arches Connect the straps to arches and tighten according to your preferences.



STEP 2

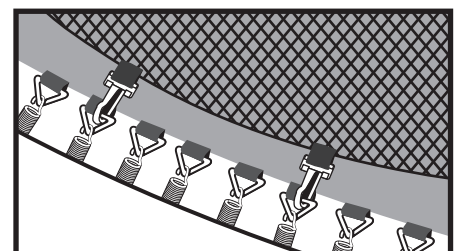
ROPE

Start by inserting one end of the rope to the beginning of the safety net entrance. Secure the rope by making a knot around the first V-ring so the rope is now attached to the trampoline. Weave it through the net and V-rings through every second V-ring until the other end of the net entrance. Make another knot around the last V-ring at the other end of the rope.



Optional Step to connect the Net with Clips instead of ropes

You can skip step 5 and connect the net to the V-rings with the clips. We always recommend to use the ropes for extra stability.



Net Installation Instructions

OUTSIDE TYPE MODELS

Enclosure Sets	
UBNET-7.5-6-OS	UBNET-13-8-OS
UBNET-10-8-OS	UBNET-14-6-OS
UBNET-12-4-OS	UBNET-14-8-OS
UBNET-12-6-OS	UBNET-15-6-OS
UBNET-13-6-OS	UBNET-15-8-OS

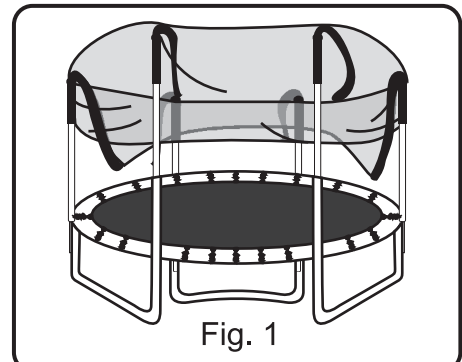
Enclosure Nets	
UBESOS7.56	UBESOS138
UBESOS108	UBESOS146
UBESOS124	UBESOS148
UBESOS126	UBESOS156
UBESOS136	UBESOS158

STEP

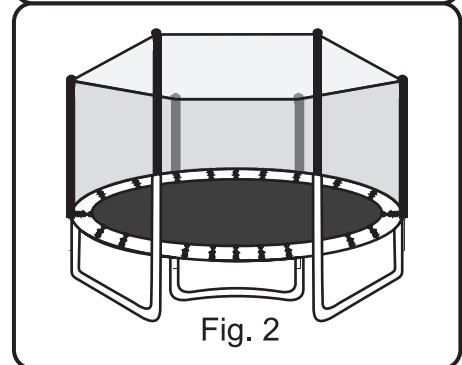
1

INSERT THE NET TO THE POLES

Start installing the Net to the poles by inserting the beginning of the Sleeve on the Poles Until it reaches 2 ft. and continue doing the same to all poles as figure 1.



Pull down each sleeve, a few inches at a time till all sleeves reach the bottom of enclosure frame as shown in figure 2.

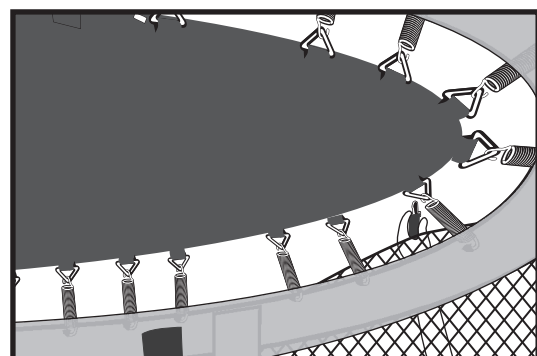
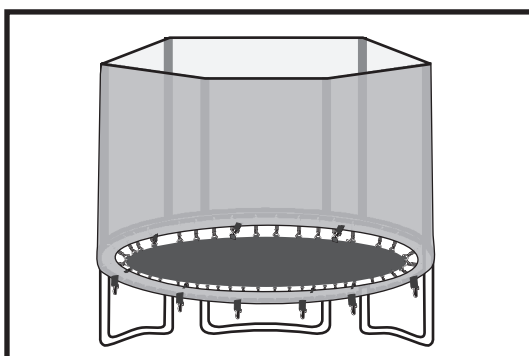


STEP

2

CONNECT BOTTOM STRAPS

Connect bottom straps/clips to every few Jumping mat v-rings from under the Safety Pad. Attach the clips from outside as figure shows.



Net Installation Instructions

FOR ARCH TYPE MODELS

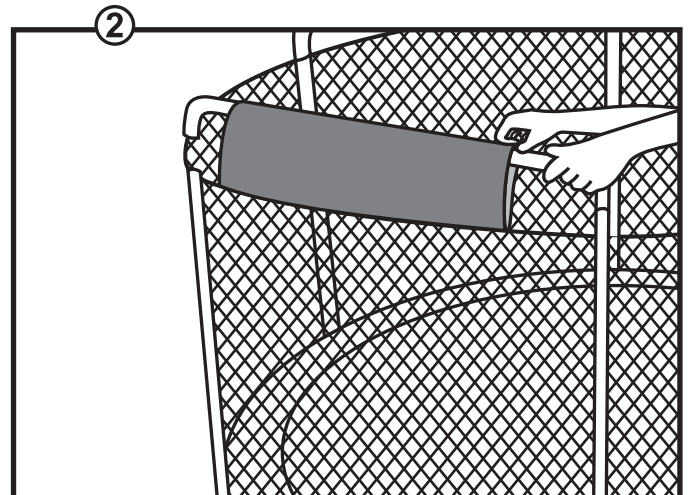
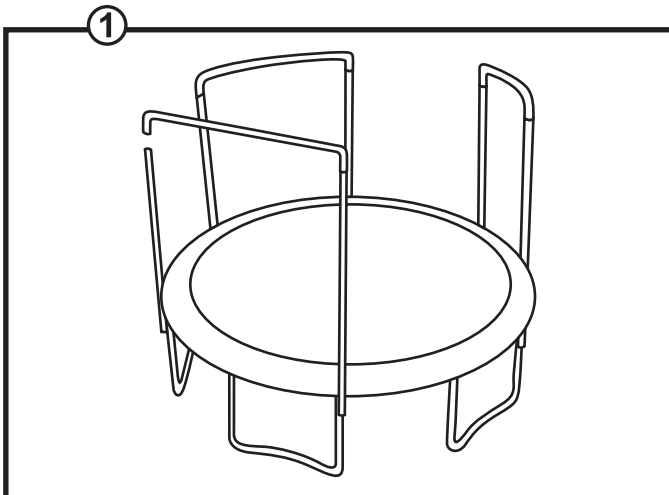
Enclosure Nets			
UBNET-12-2-AST	UBNET-13-2-ASTR	UBNET-14-3-AST	UBNET-15-3-AST
UBNET-12-3-AST	UBNET-13-3-AST	UBNET-14-4-AST	UBNET-15-4-AST
UBNET-12-4-AST	UBNET-13-4-AST		

STEP

1

INSERT THE NET TO THE ARCHES

Disconnect the top arches, slide top arch part into sleeve.
When arch part and poles meet click them back together tightly.

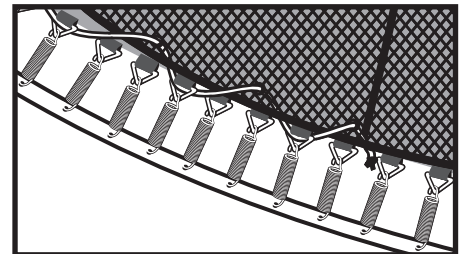


STEP

2

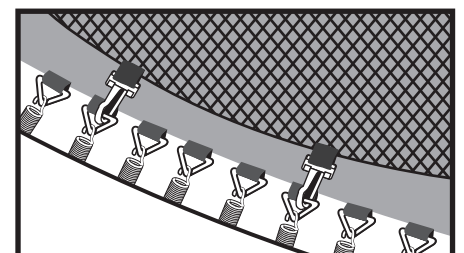
ROPE

Start by inserting one end of the rope to the beginning of the safety net entrance. Secure the rope by making a knot around the first V-ring so the rope is now attached to the trampoline. Weave it through the net and V-rings through every second V-ring until the other end of the net entrance. Make another knot around the last V-ring at the other end of the rope.



Optional Step to connect the Net with Clips instead of ropes

You can skip step 5 and connect the net to the V-rings with the clips. We always recommend to use the ropes for extra stability.



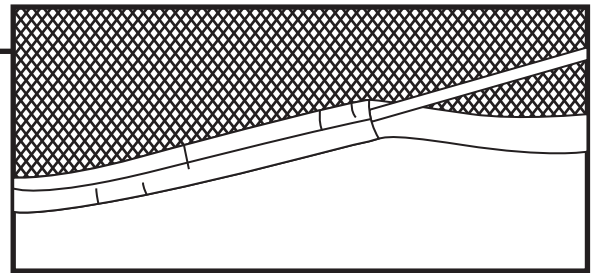
Net Installation Instructions

FLEX ON TOP MODELS

Enclosure Nets		
UBNET12FG-4	UBNET-14FG-4	UBNET-15FG-5
UBNET-12FG-6	UBNET-14FG-6	UBNET-15FGB-5
		UBNET-15FG-6

STEP 1

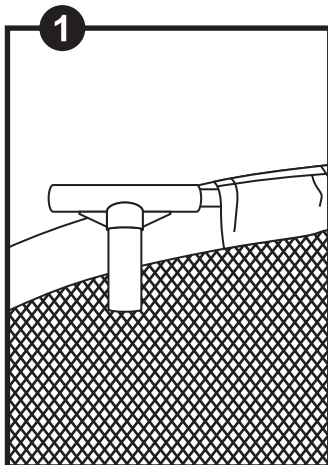
Start by running the Fiberglass Rods through the sleeves opening at the upper edge of the safety net until you reach the other side of the sleeve as figure 1.



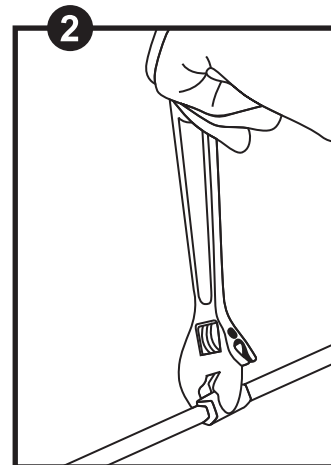
STEP 2

After inserting the top rods through all the sleeves you need to connect all rods together, there is several ways to connect it:

1. With T pole caps as figure 1.

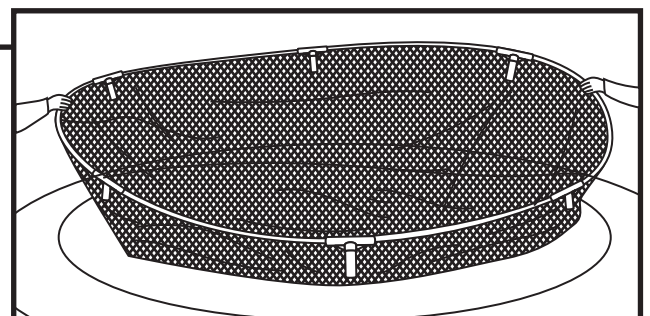


2. With nuts that connects it together with Adjustable Wrench as figure 2.



STEP 3

Repeat with remaining rods until everything is connected together. To make the last connection have one person stand on the opposite side, push the rods towards the center of the ring until they are in line with each other and make the last connection as shown in picture.

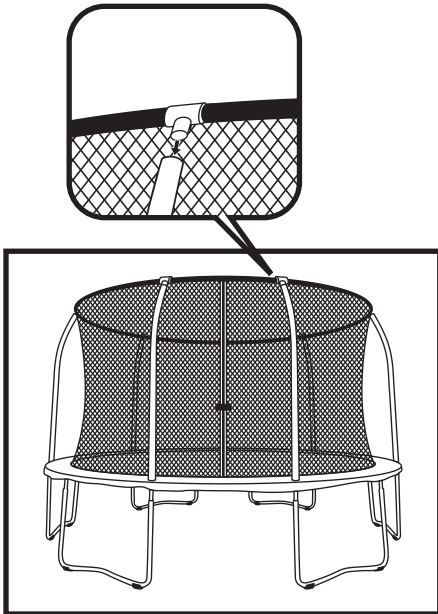


STEP 4

Raise the net up into position and connect the rods to the poles with the following options:

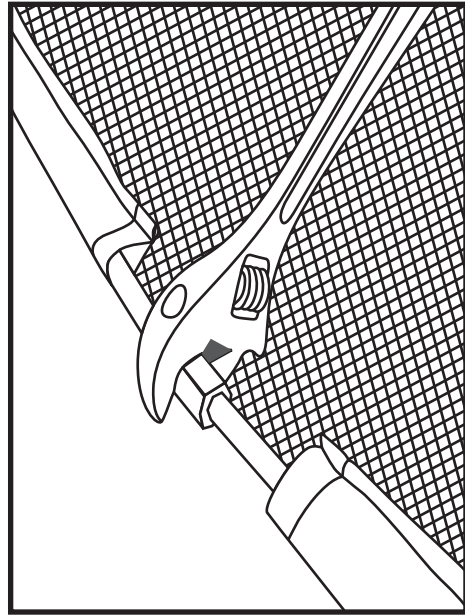
Option 1 -

If you have T connectors Insert the T-shaped Pole Caps into the upper poles as shown in picture.



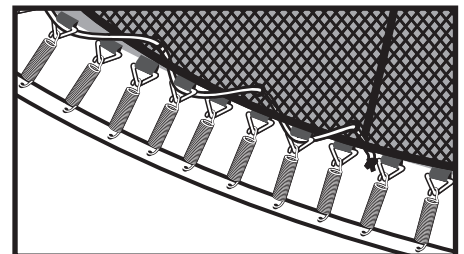
Option 2 -

If your rod is connected in any other way, connect the rod to the pole cap by clicking it in as figure shows.



STEP 5

Start by inserting one end of the rope to the beginning of the safety net entrance. Secure the rope by making a knot around the first V-ring so the rope is now attached to the trampoline. Weave it through the net and V-rings through every second V-ring until the other end of the net entrance. Make another knot around the last V-ring at the other end of the rope.



Enclosure Net Safety Checks:

- Hold onto pole net jacket and check that all the enclosure poles are sturdy by shaking it.
- Check the enclosure net and pole jacket for any tearing in the stitching or material.
- Check the enclosure net zipper and entrance hooks function properly.
- Check to see if all safety enclosure hook are attached to the triangle ring under the trampoline.



WARNING:

1. Please ensure that the safety enclosure net zipper is 100% closed and all three entrance hooks are re-hooked before jumping.
2. Do not intentionally jump into the safety net, it is only designed to stop persons from falling off the trampoline. Intentional jumping into the safety net may cause the trampoline to topple over, or may damage your net. Abuse of the safety net is considered negligent use which is not covered by the warranty, please refer to the disclaimer.



Still have questions?

Contact our trained customer service and they will assist you to your satisfaction!

Phone : 1.888.965.3331

E-Mail : support@upperbounce.com

Web : www.support.upperbounce.com

Happy Jumping!

The Upper Bounce Team



We need your feedback

To leave feed back or for any suggestion on how we can do even better please go to -

www.upperbounce.com/feedback

