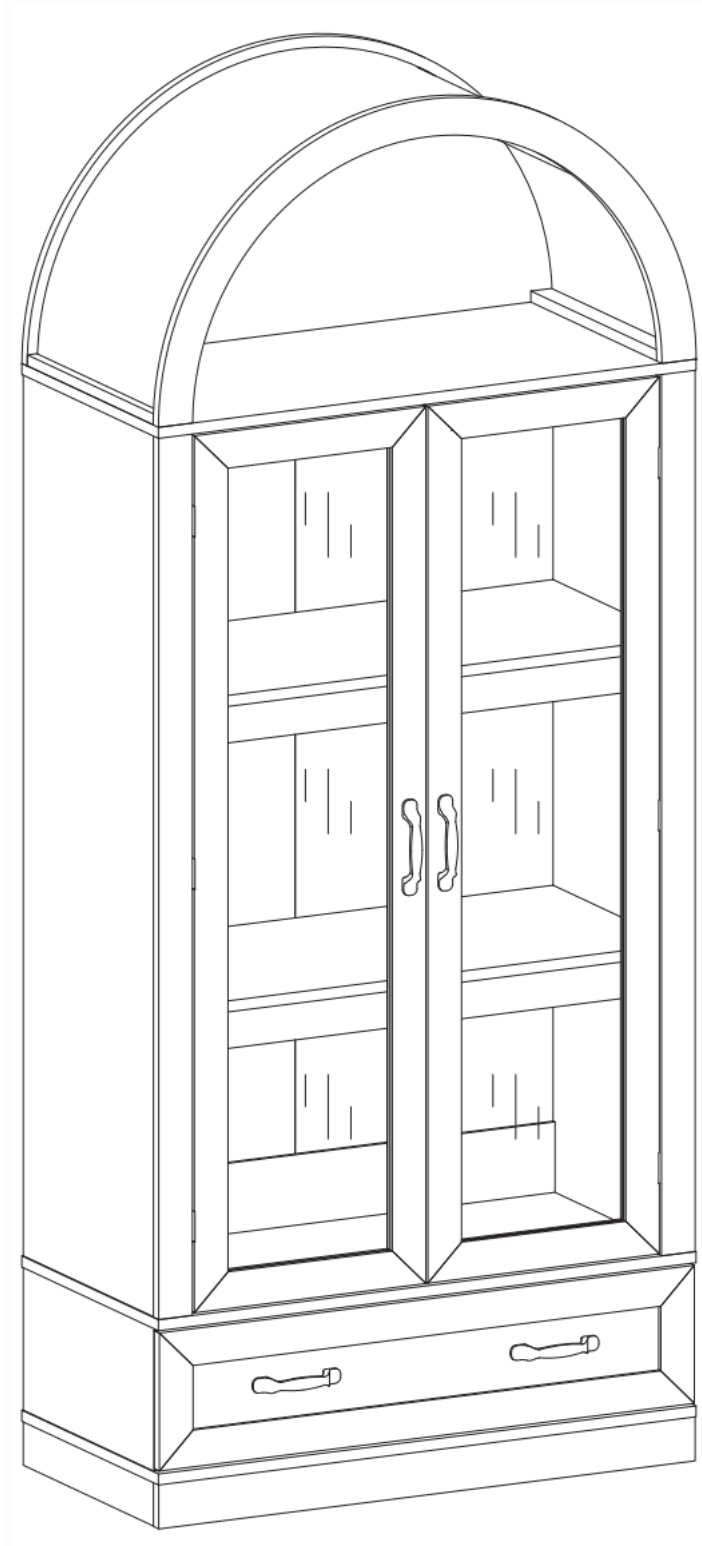
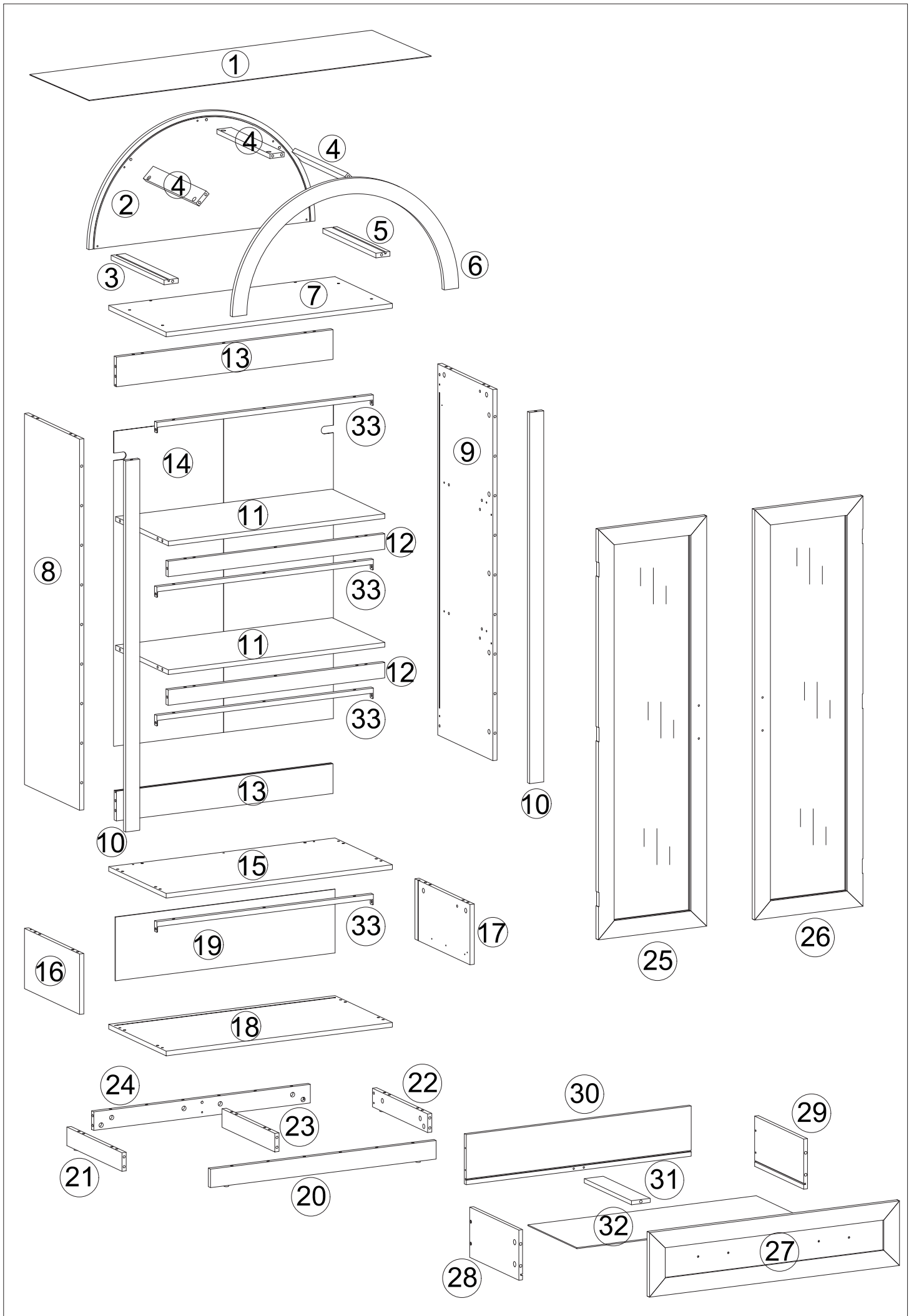
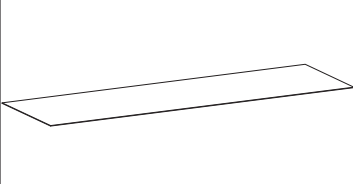
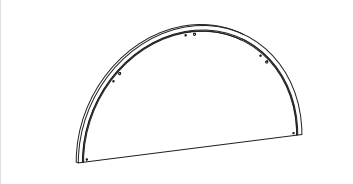
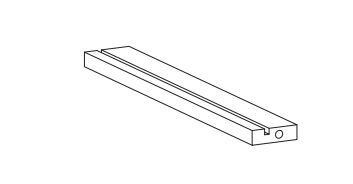
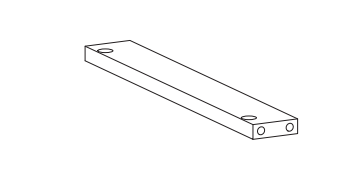
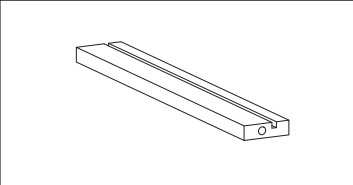
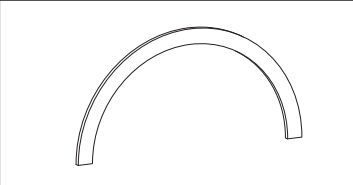
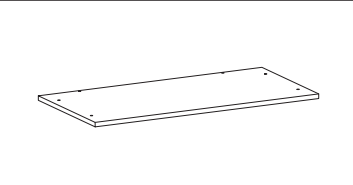
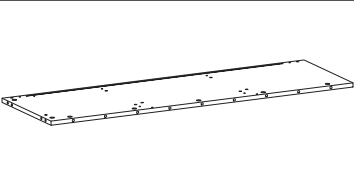
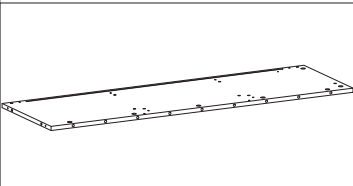
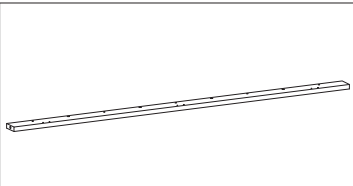
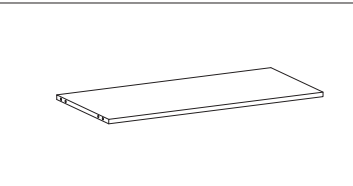
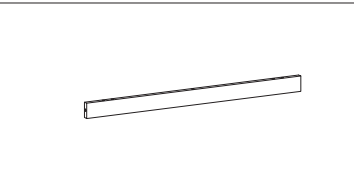
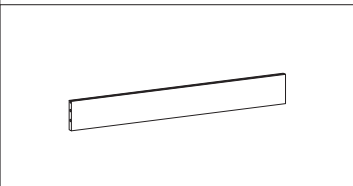
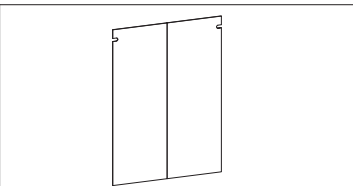
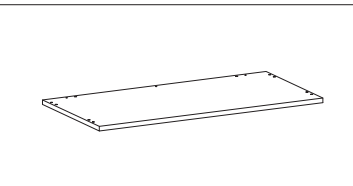
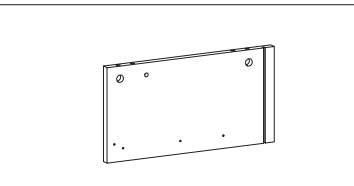
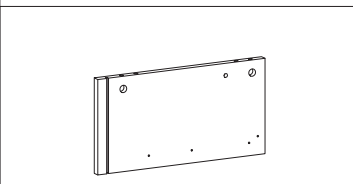
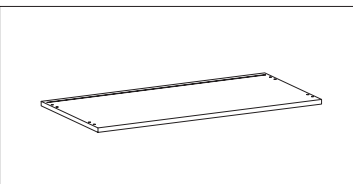
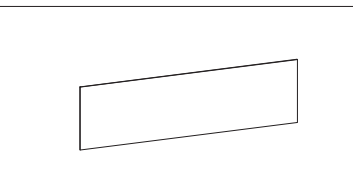
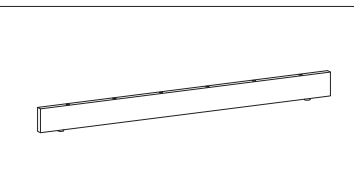
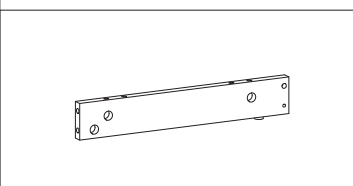
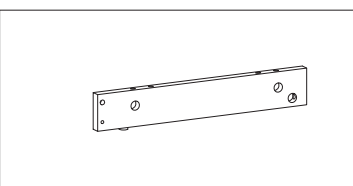
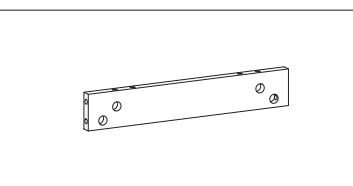
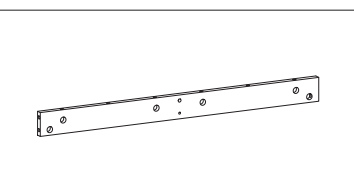
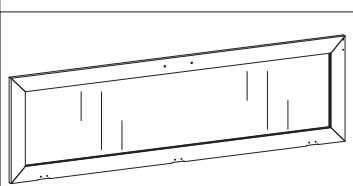
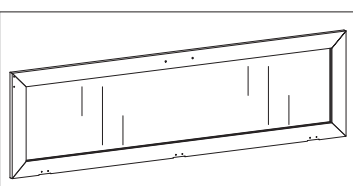
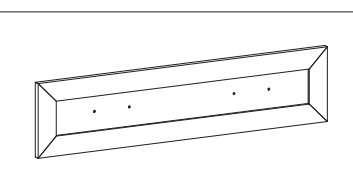
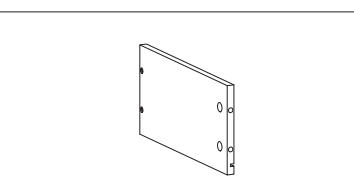


Arched Kitchen Pantry Storage Cabinet

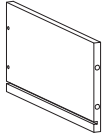




Parts and Operation Elements

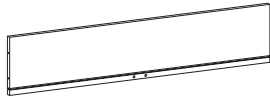
| | | | |
|--|---|--|---|
|  |  |  |  |
| ① 1PC | ② 1PC | ③ 1PCS | ④ 3PC |
|  |  |  |  |
| ⑤ 1PC | ⑥ 1PC | ⑦ 1PC | ⑧ 1PC |
|  |  |  |  |
| ⑨ 1PC | ⑩ 2PC | ⑪ 2PC | ⑫ 2PC |
|  |  |  |  |
| ⑬ 2PC | ⑭ 1PCS | ⑮ 1PCS | ⑯ 1PC |
|  |  |  |  |
| ⑰ 1PC | ⑱ 1PCS | ⑲ 1PCS | ⑳ 1PCS |
|  |  |  |  |
| ㉑ 1PCS | ㉒ 1PCS | ㉓ 1PCS | ㉔ 1PCS |
|  |  |  |  |
| ㉕ 1PCS | ㉖ 1PCS | ㉗ 1PCS | ㉘ 1PC |

Parts and Operation Elements



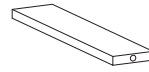
29

1PC



30

1PC



31

1PCS



32

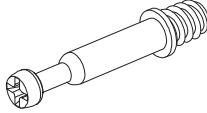

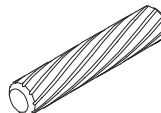
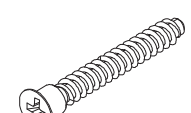
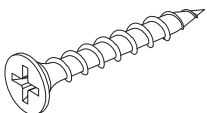
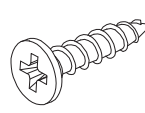

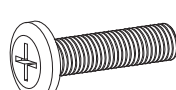
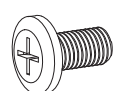

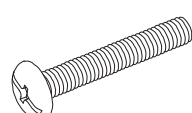
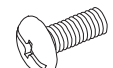
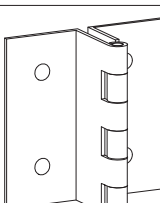
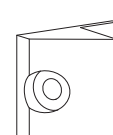
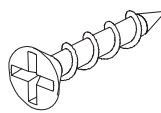
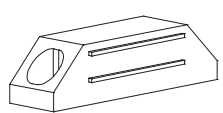
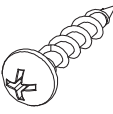

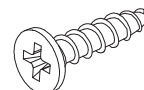
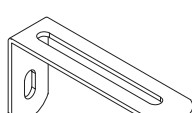
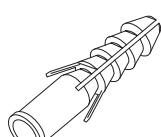
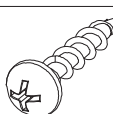
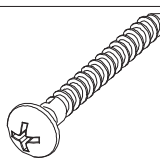
1PC

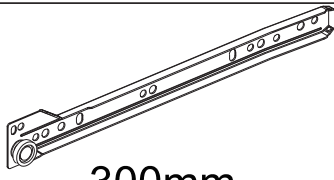
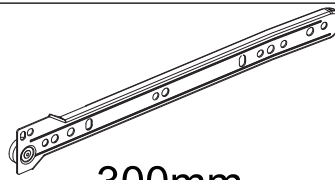
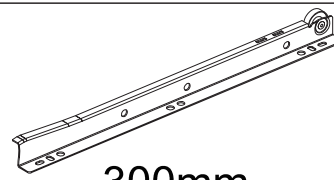
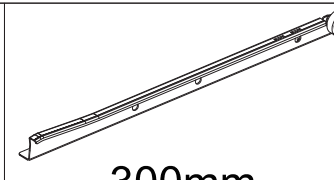


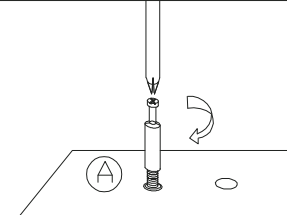
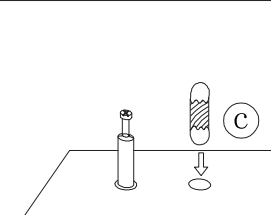
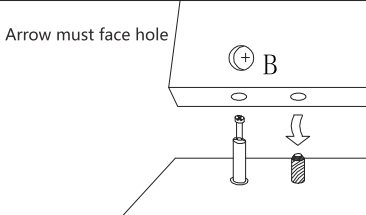
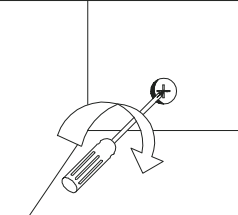
33

4PC

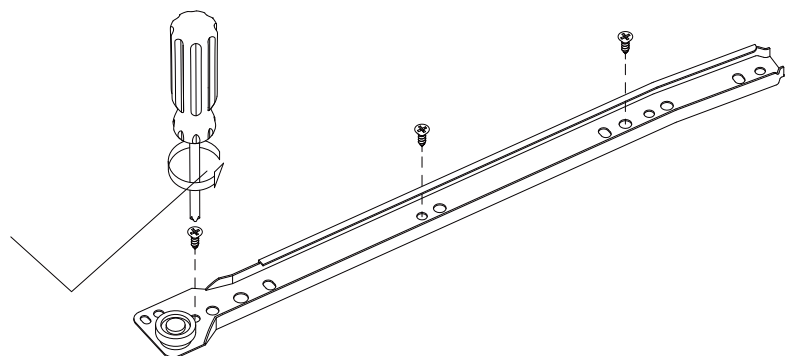
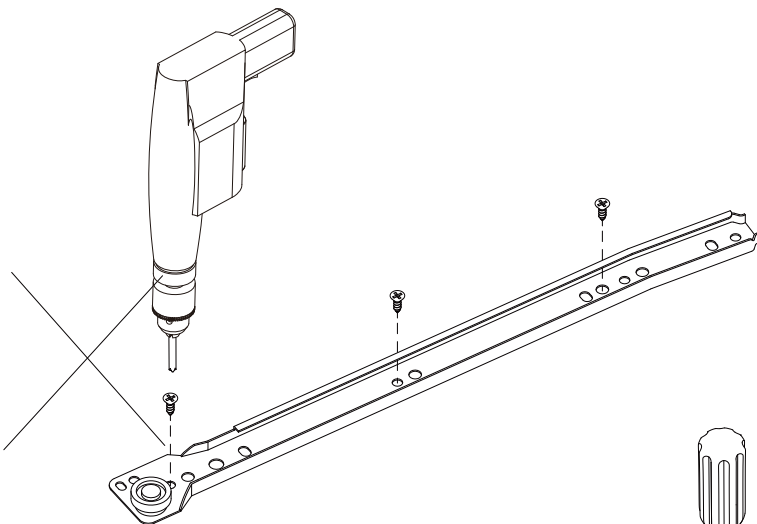
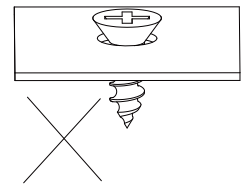
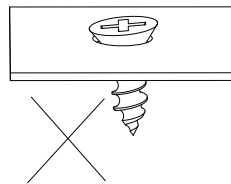
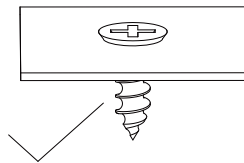
Hardware

| | | | |
|---|---|--|---|
|  |  |  |  |
| 6x33.5mm Cam Bolt | 15x9mm Cam Lock | 8x30mm Dowel | 5x48mm Screw |
| (A) x79+2 | (B) x79+2 | (C) x72+2 | (D) x8 |
|  |  |  |  |
| 4x30mm Screw | 3.5x12mm Screw | 30mm | 6x25mm Screw |
| (E) x8 | (F) x38+3 | (G) x79+2 | (H) x16 |
|  |  |  |  |
| 6x12mm Screw | | 4x20mm Screw | 4x8mm Screw |
| (I) x8 | (J) x4 | (K) x4 | (L) x4 |
|  |  |  |  |
| | | 3x16mm Screw | |
| (M) x6 | (O) x16 | (P) x16 | (Q) x1 |
|  |  |  |  |
| 3x16mm Screw | | 3.5x12mm Screw | |
| (R) x2 | (S) x2 | (T) x4+1 | (U) x2 |
|  |  |  | |
| | 4x14mm Screw | 4x38mm Screw | |
| (V) x2 | (W) x2 | (X) x2 | |

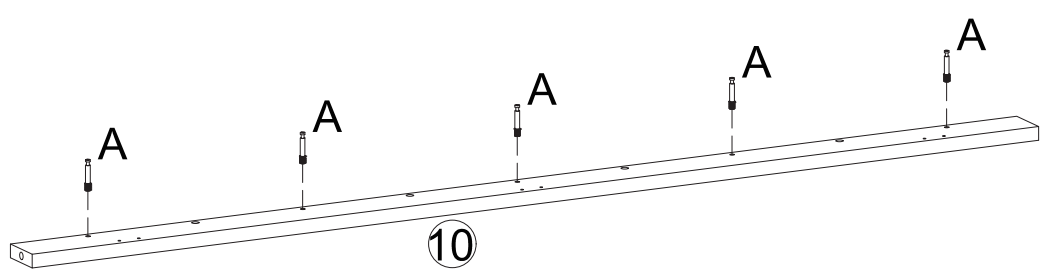
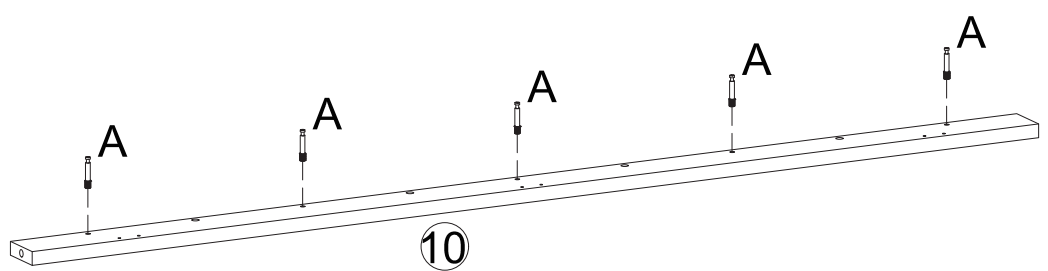
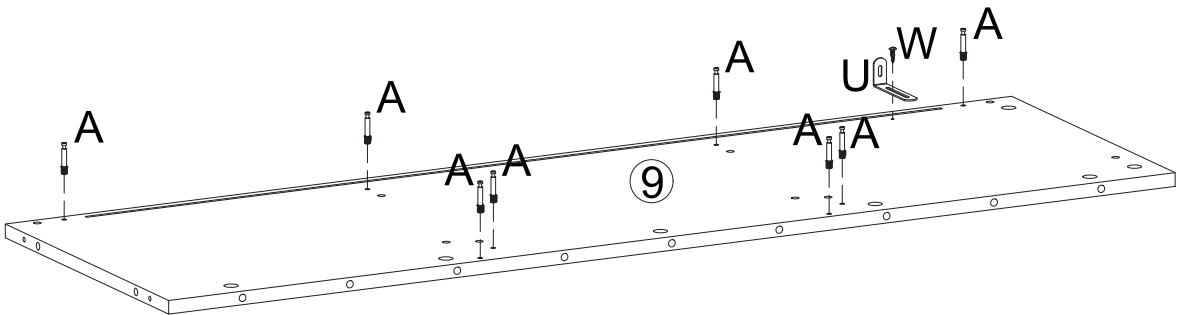
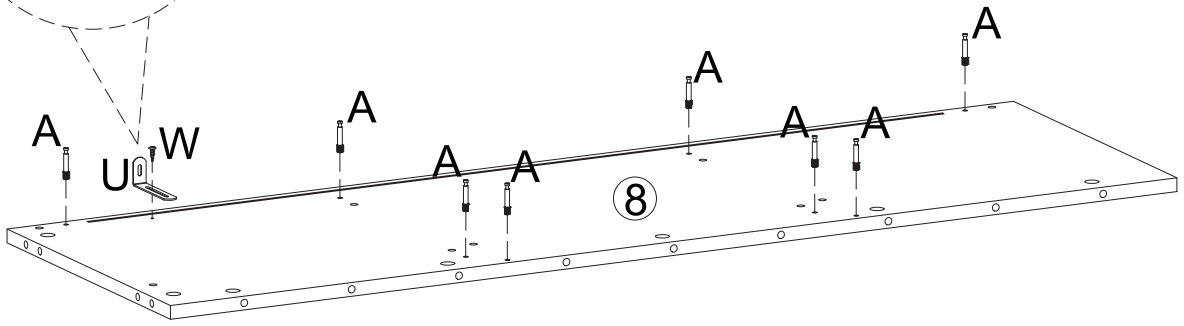
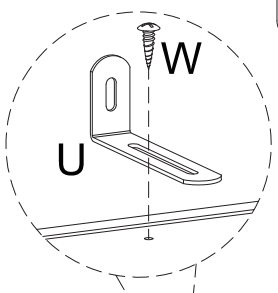
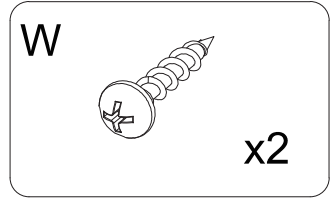
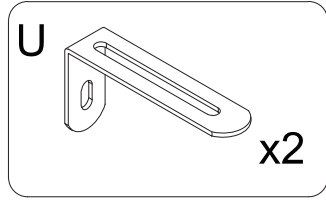
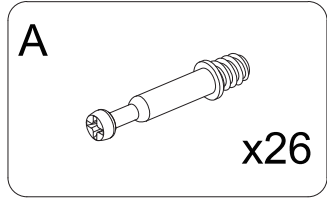
| | | | |
|---|--|---|--|
|  |  |  |  |
| 300mm | 300mm | 300mm | 300mm |
| CL | x1 | CR | x1 |
| DL | x1 | DR | x1 |

| | | | |
|---|---|--|---|
|  |  |  |  |
| Gently screw cam bolt into the threaded anchor. | Insert the wood dowel halfway into hole. | Arrow must face hole | Screw the camlock firmly into locked position. |

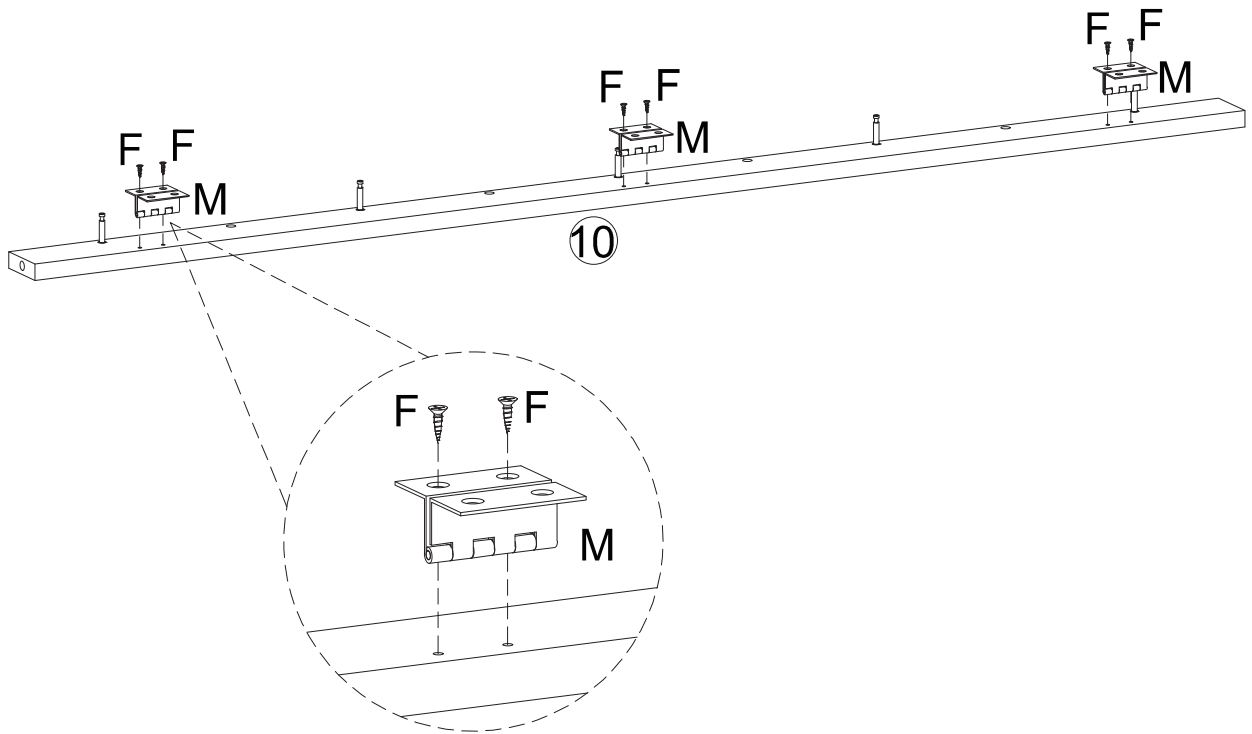
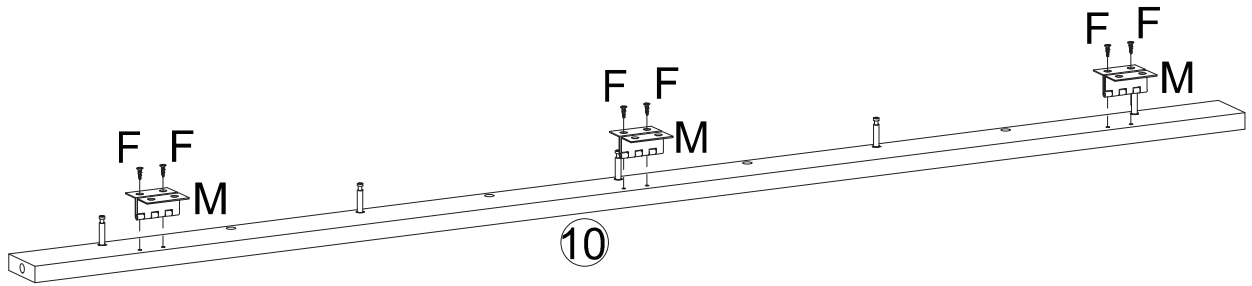
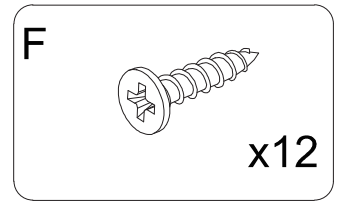
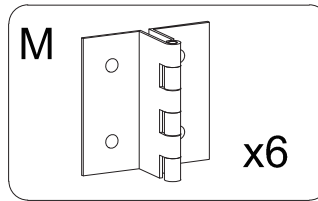
Please kindly note the following points when you assemble the sliders of the drawers



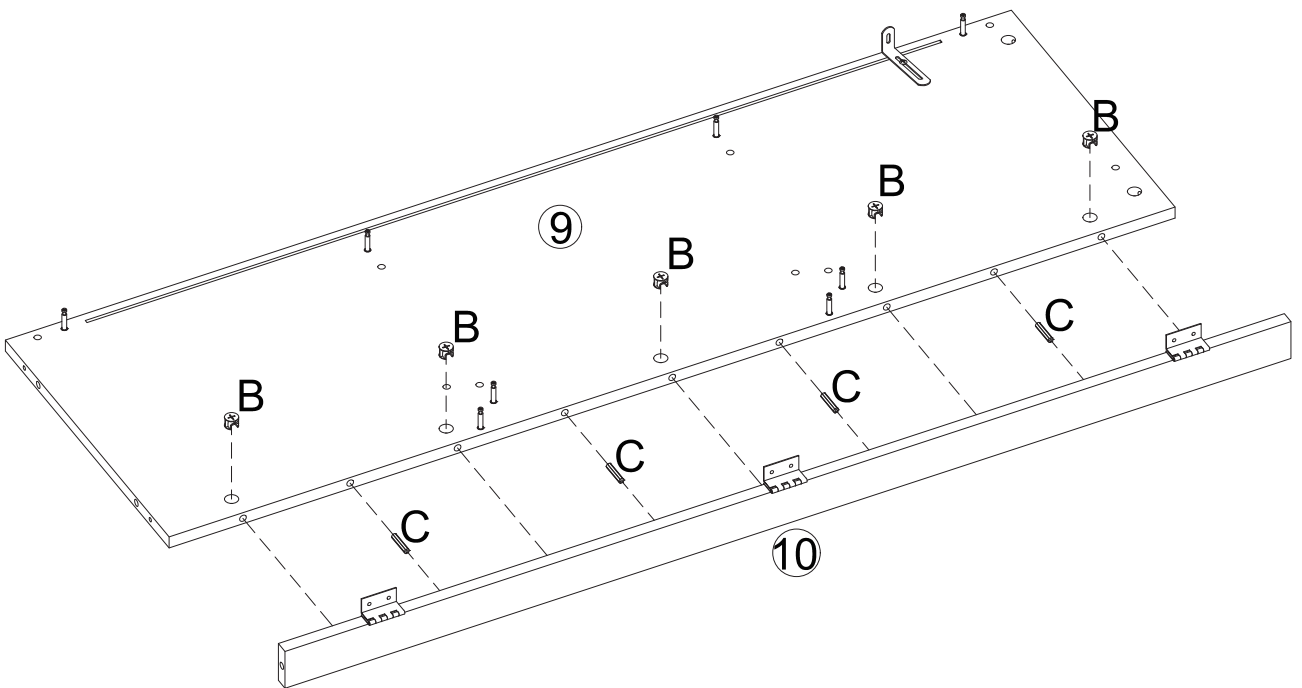
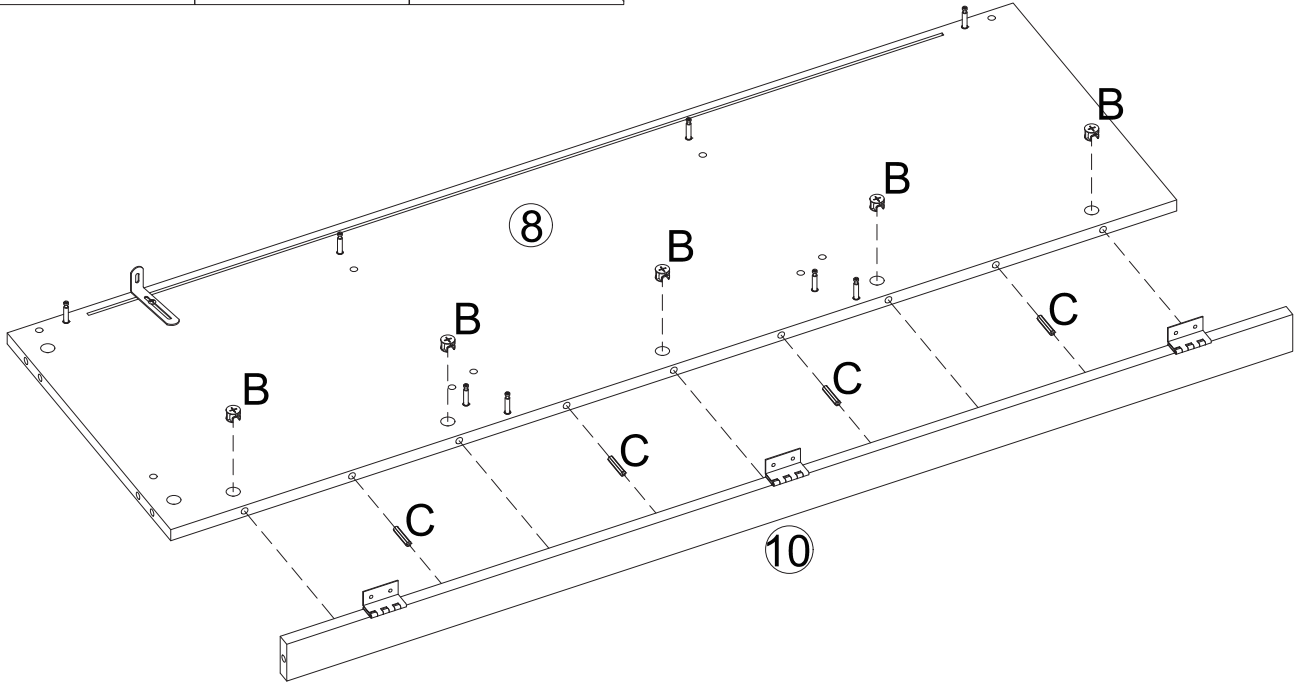
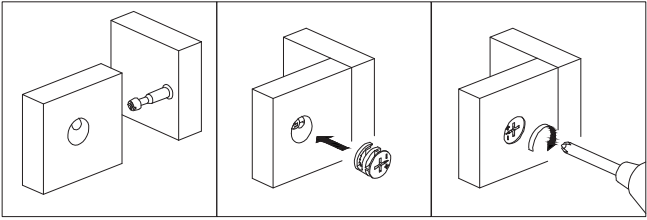
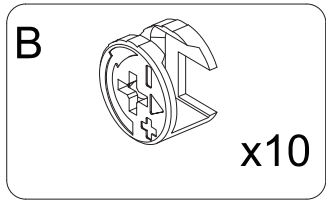
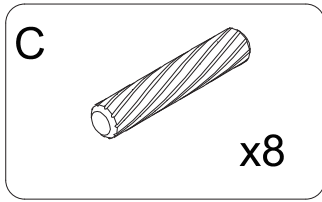
1



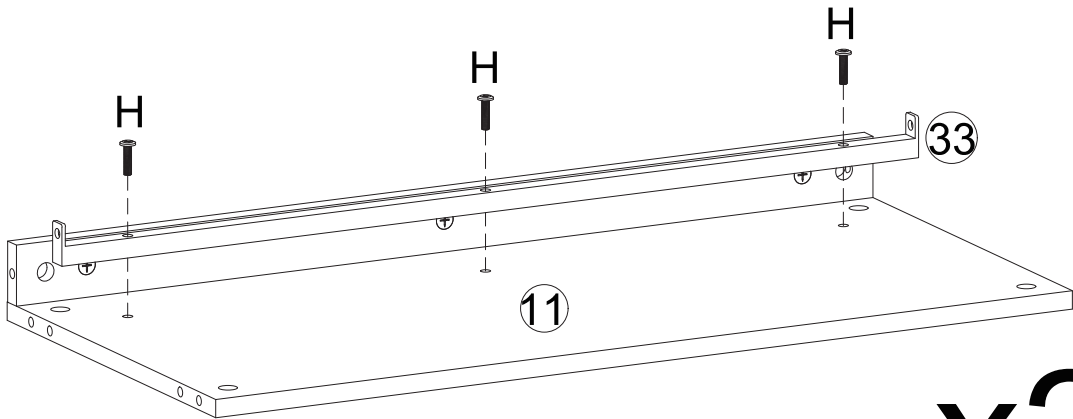
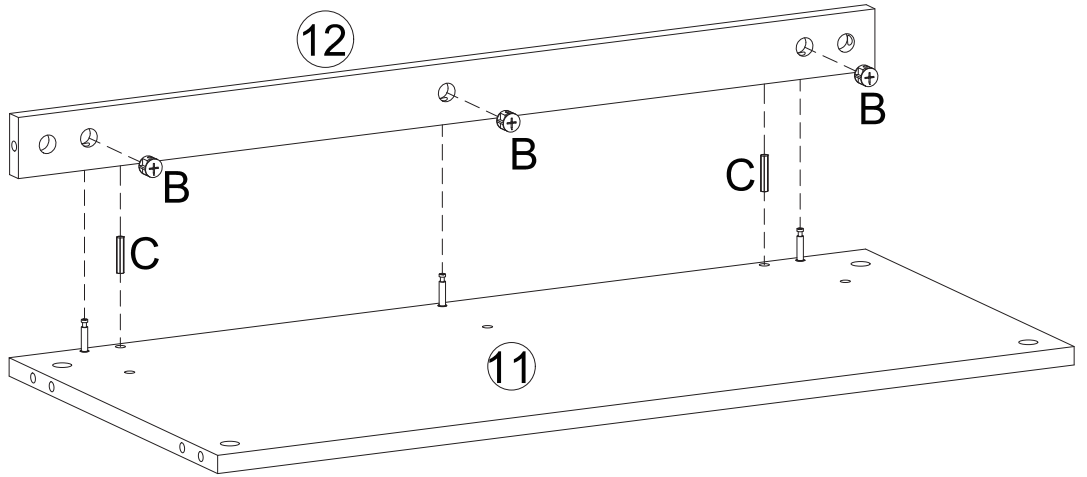
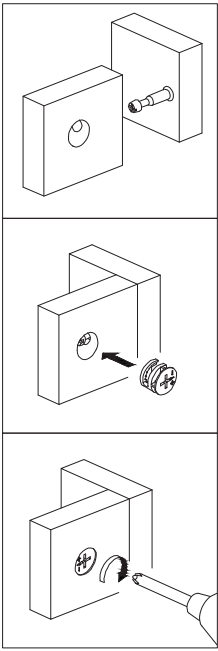
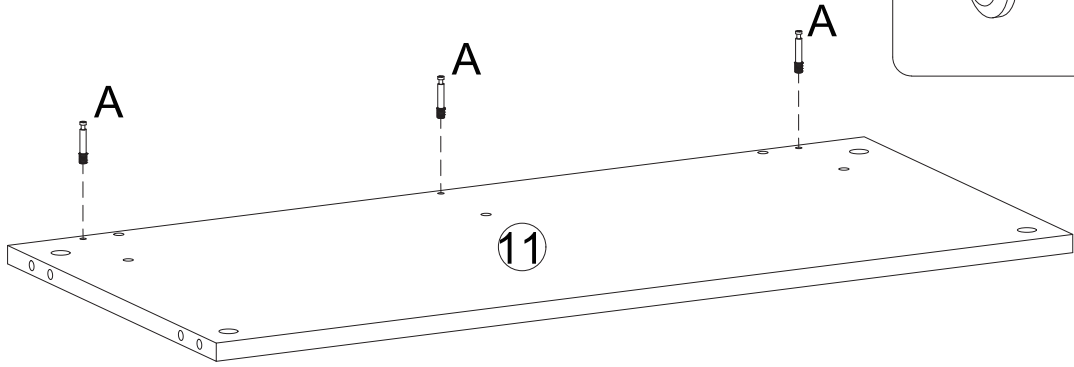
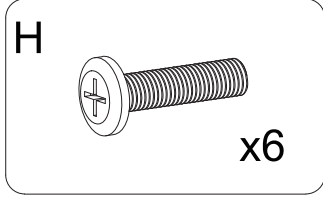
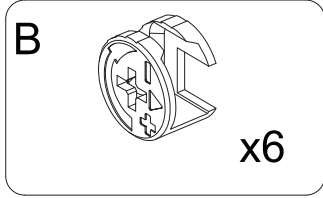
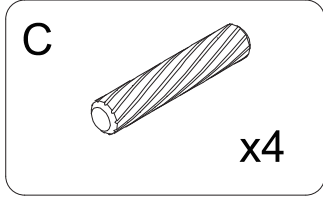
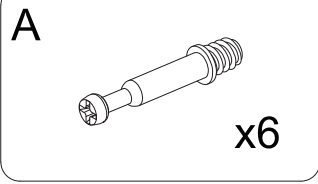
2



3



4

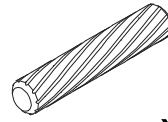


Do not tighten H bolts in advance

x2

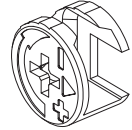
5

C

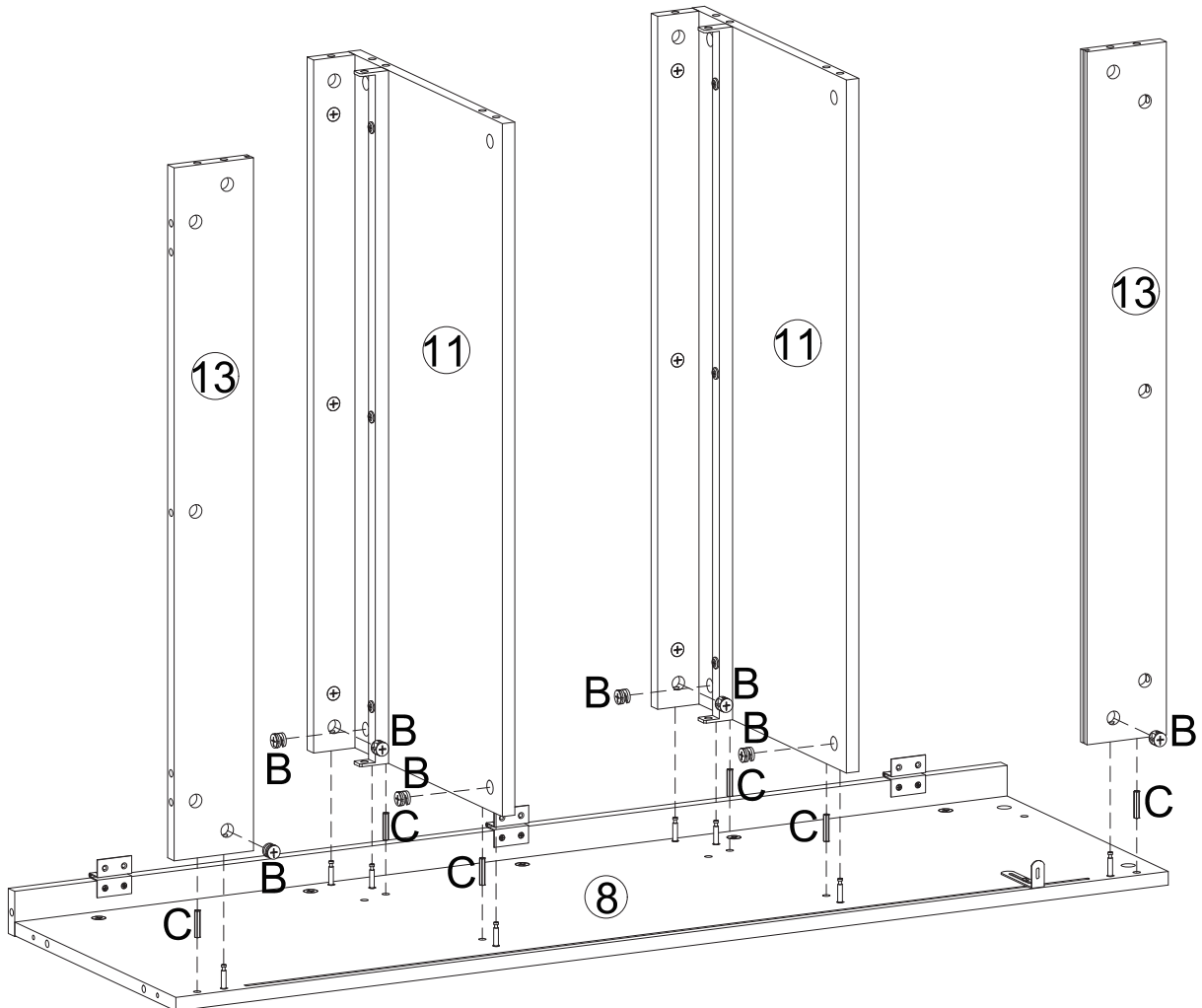
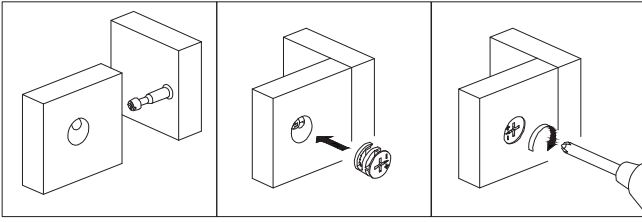


x6

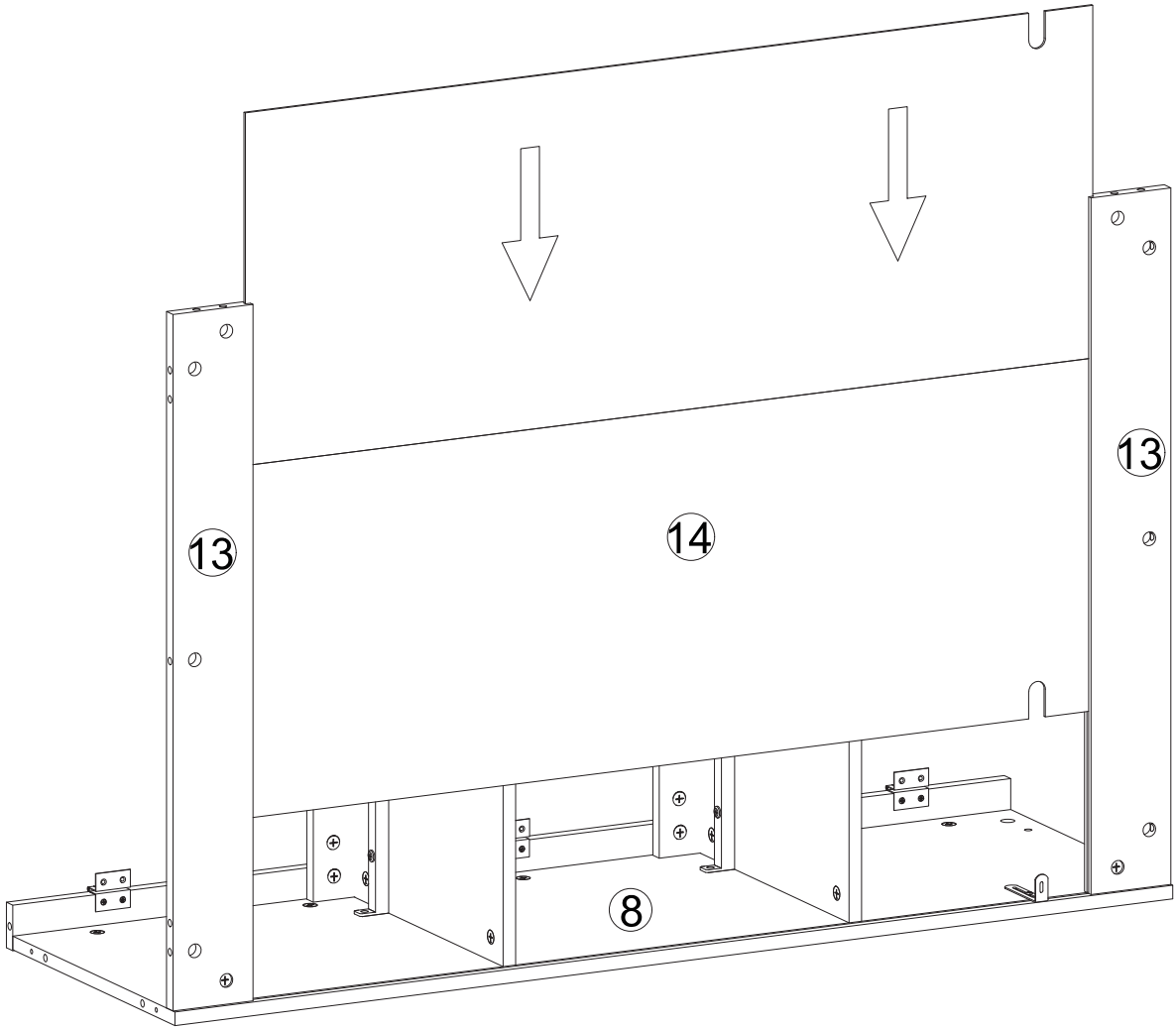
B



x8

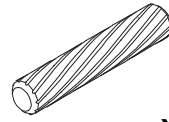


6



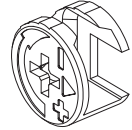
7

C

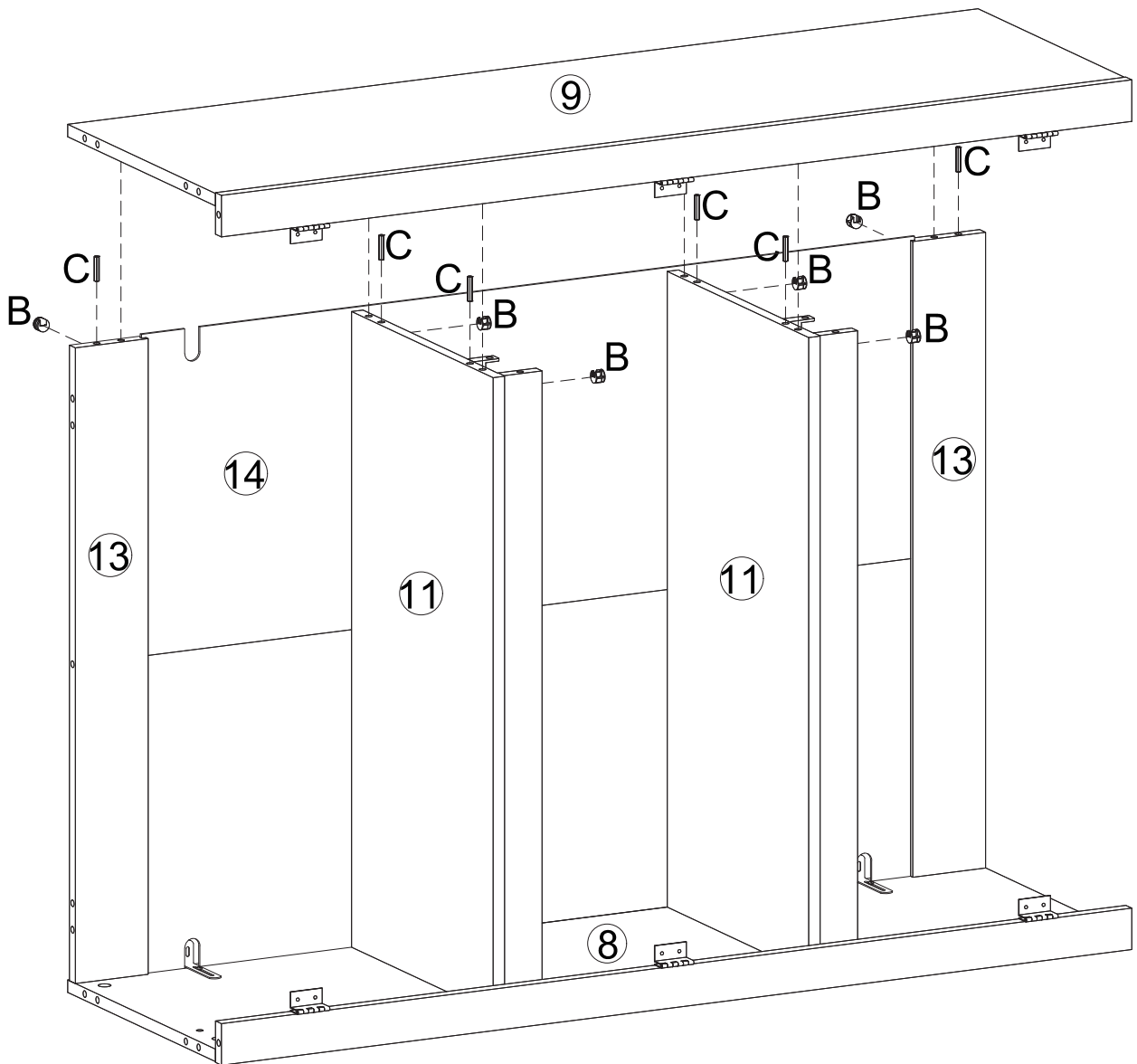
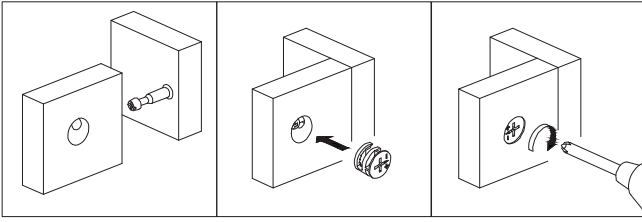


x6

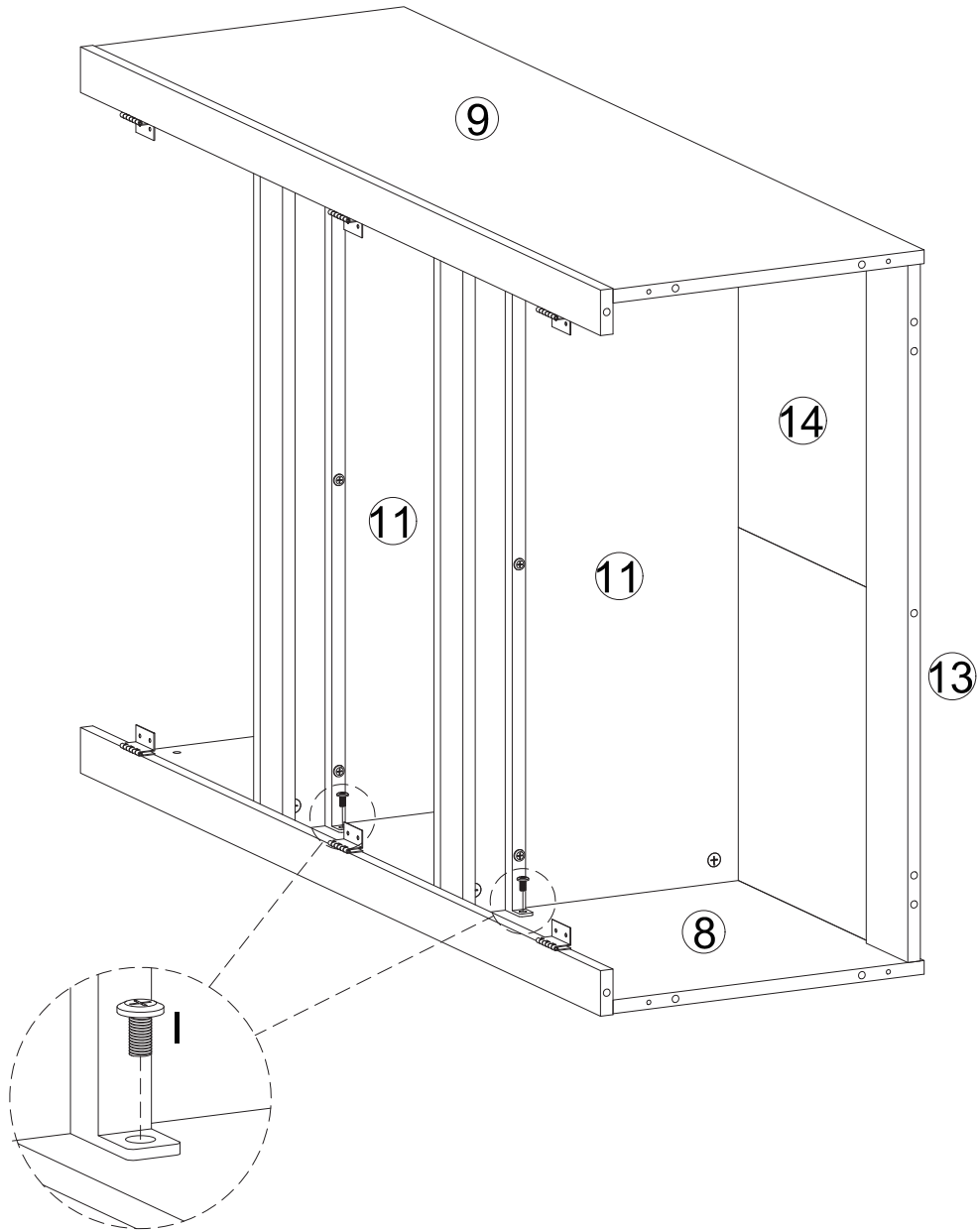
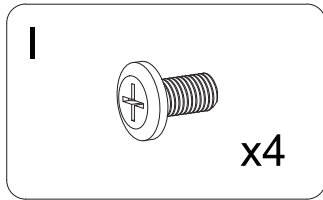
B



x8

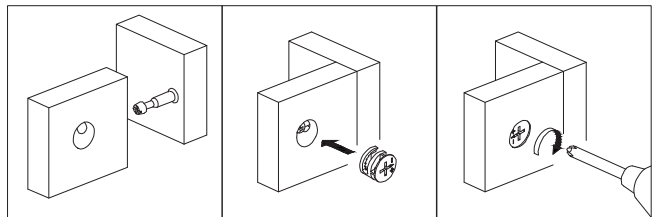
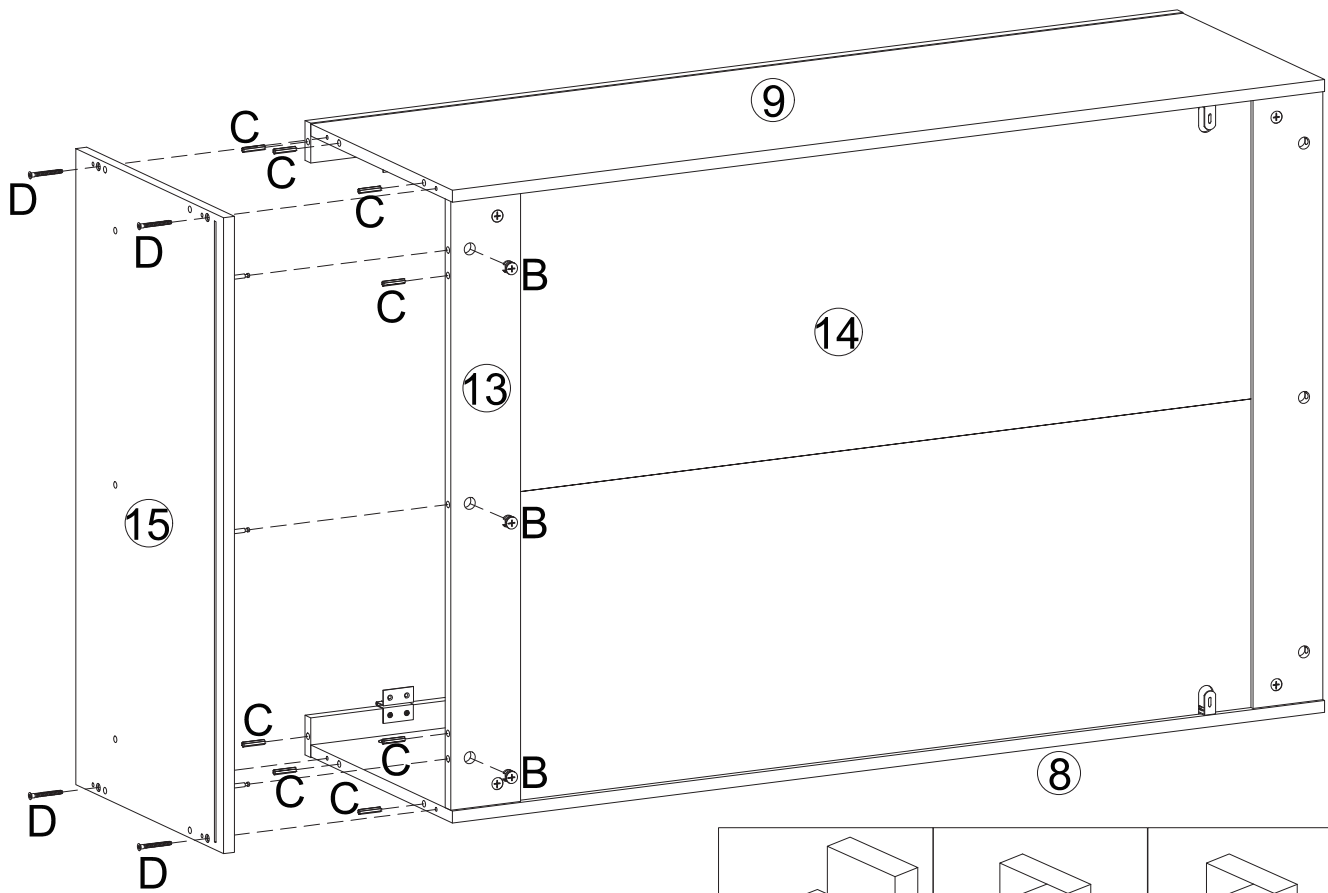
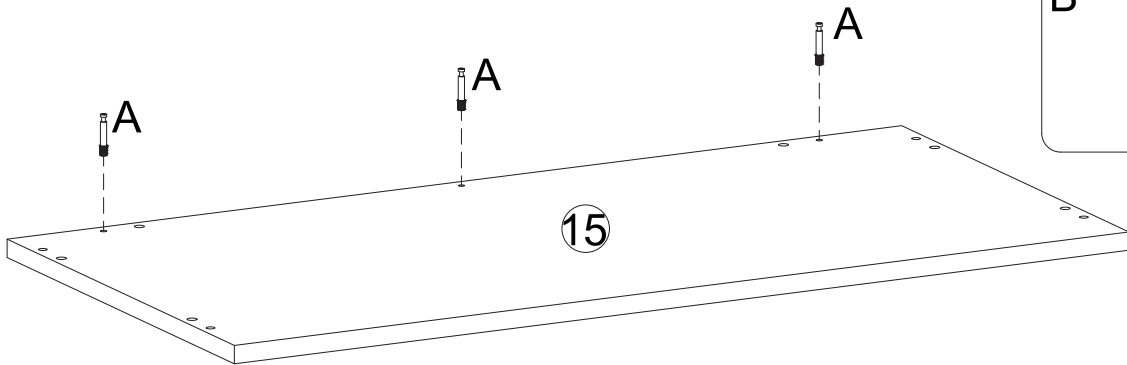
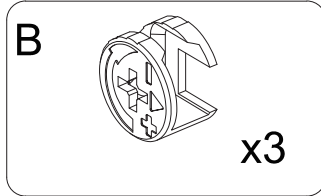
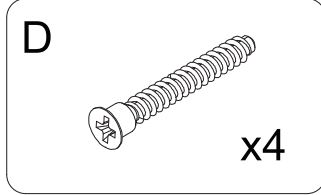
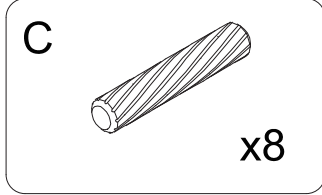
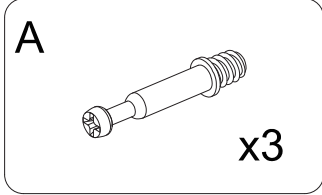


8

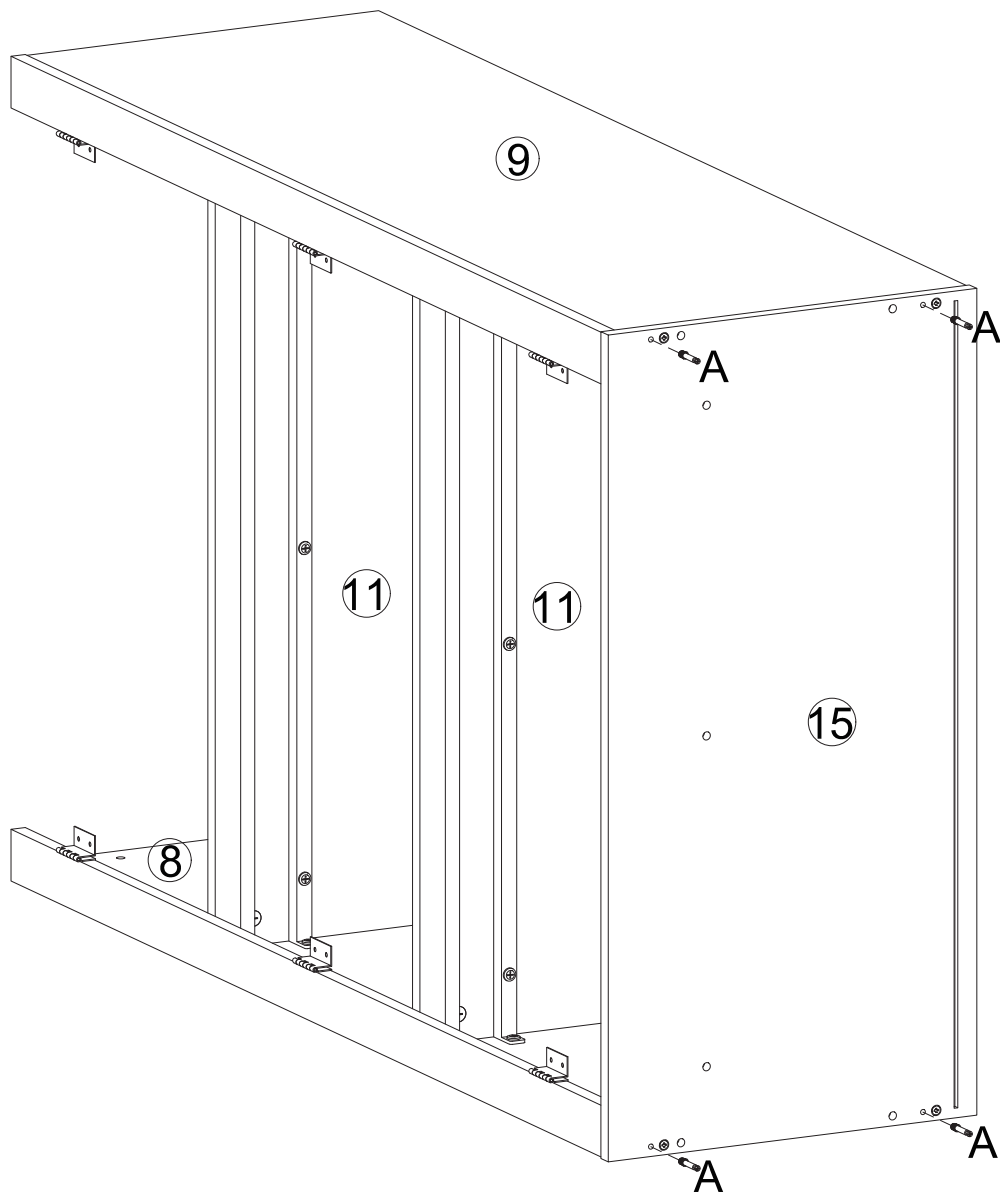
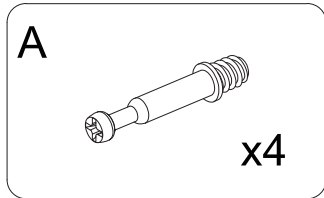


NOTE: Tighten all Bolt (I and H)

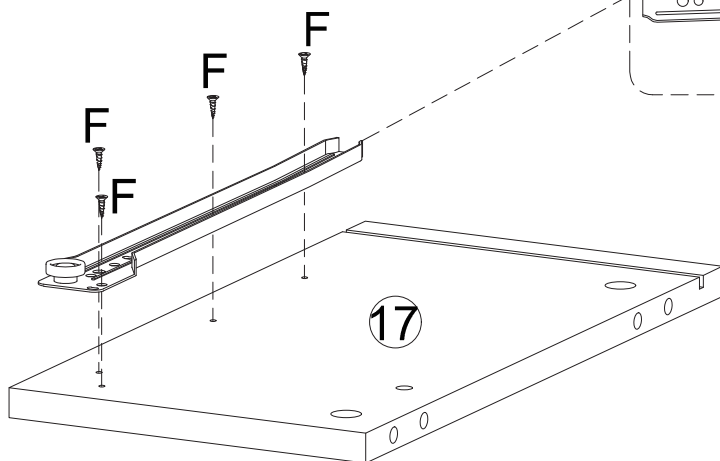
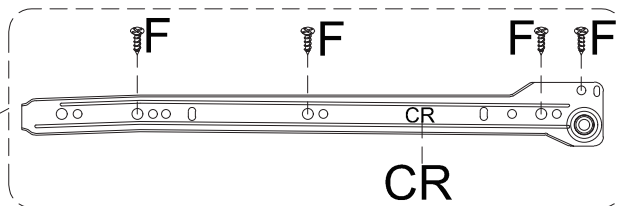
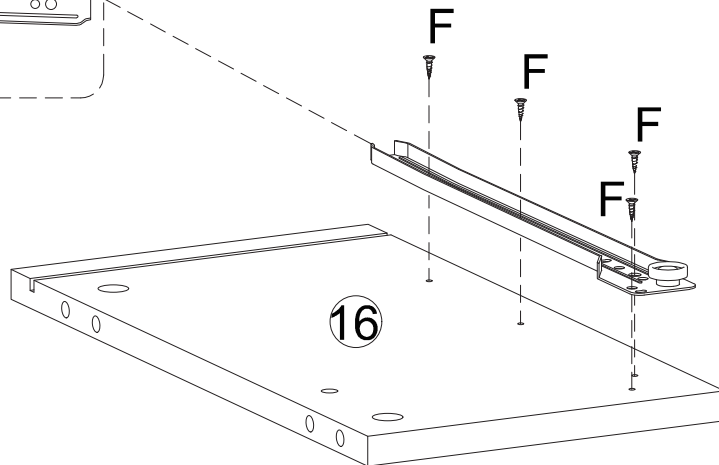
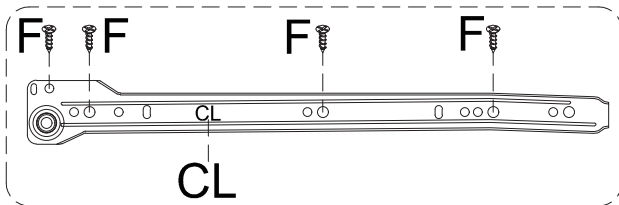
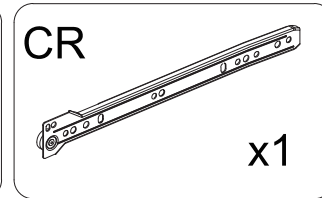
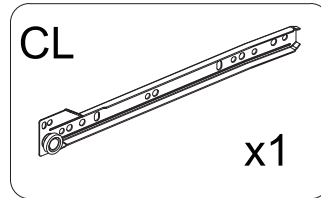
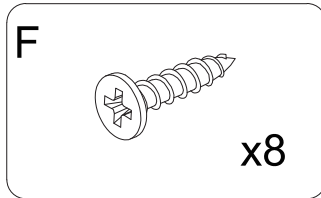
9



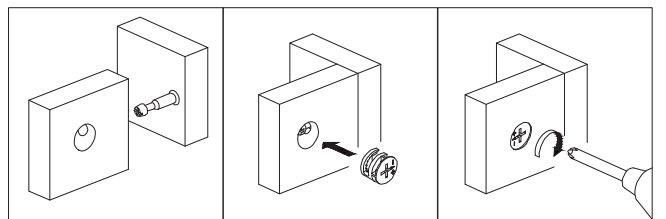
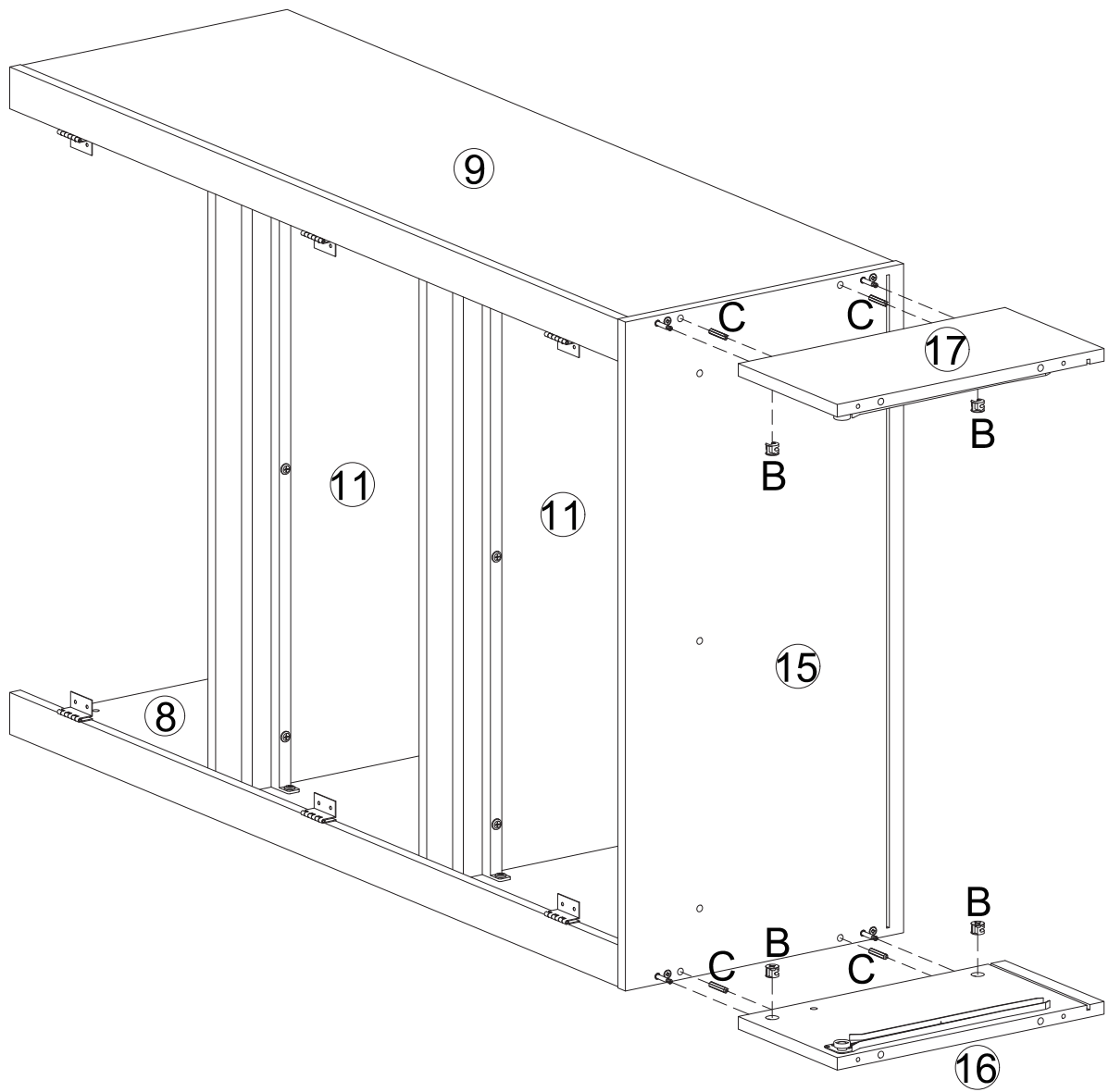
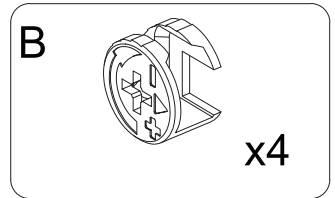
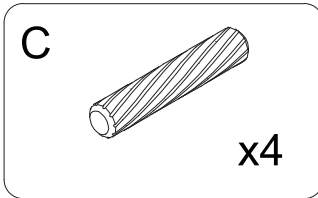
10



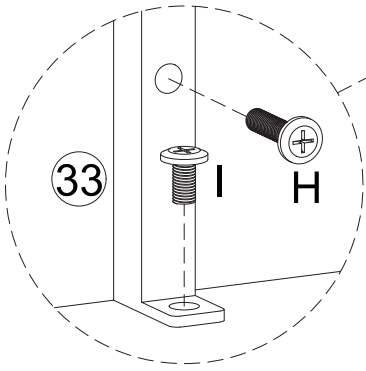
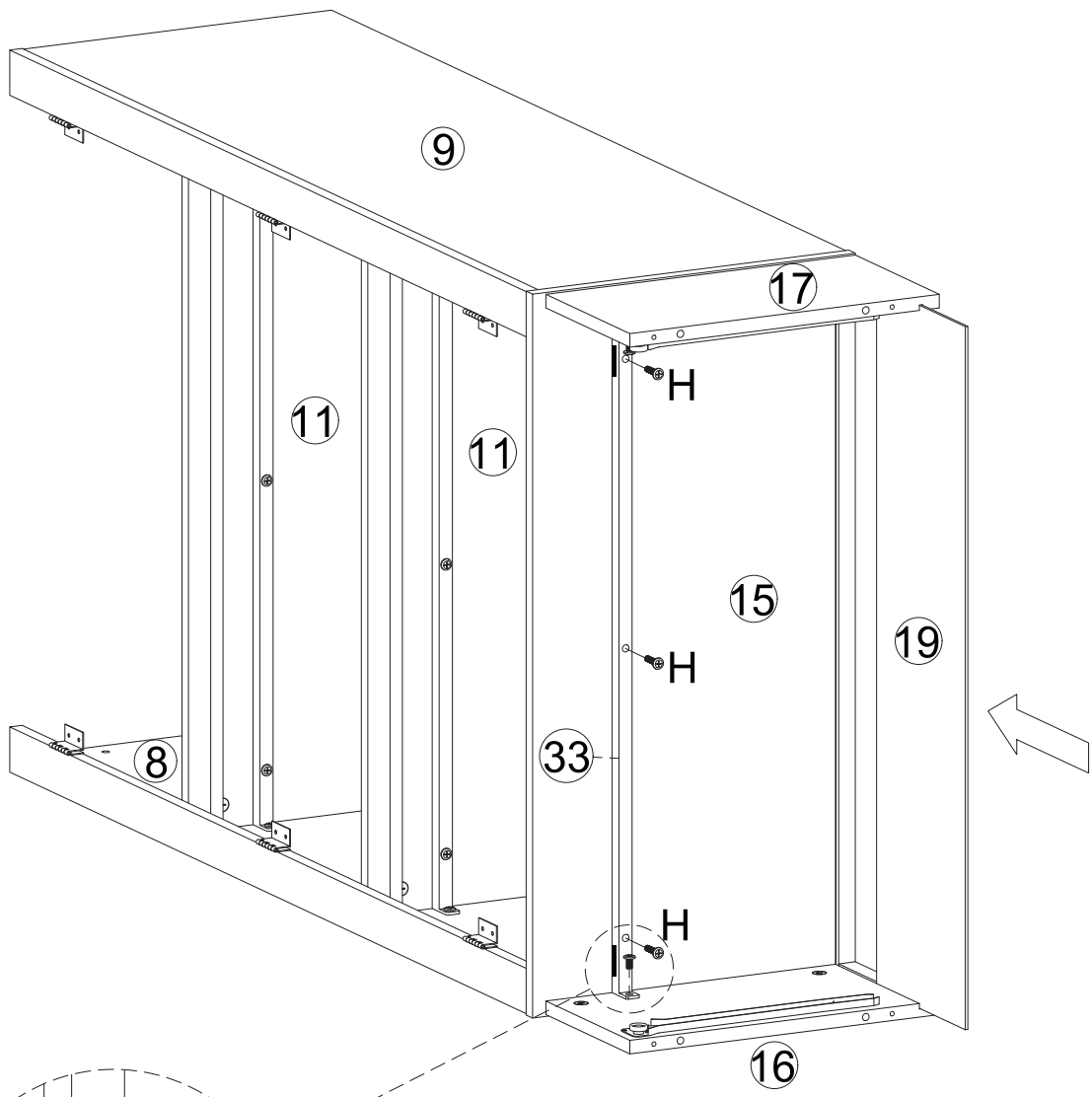
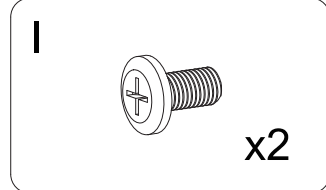
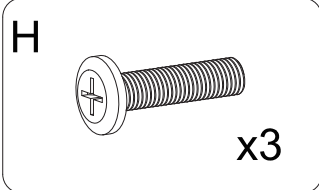
11



12

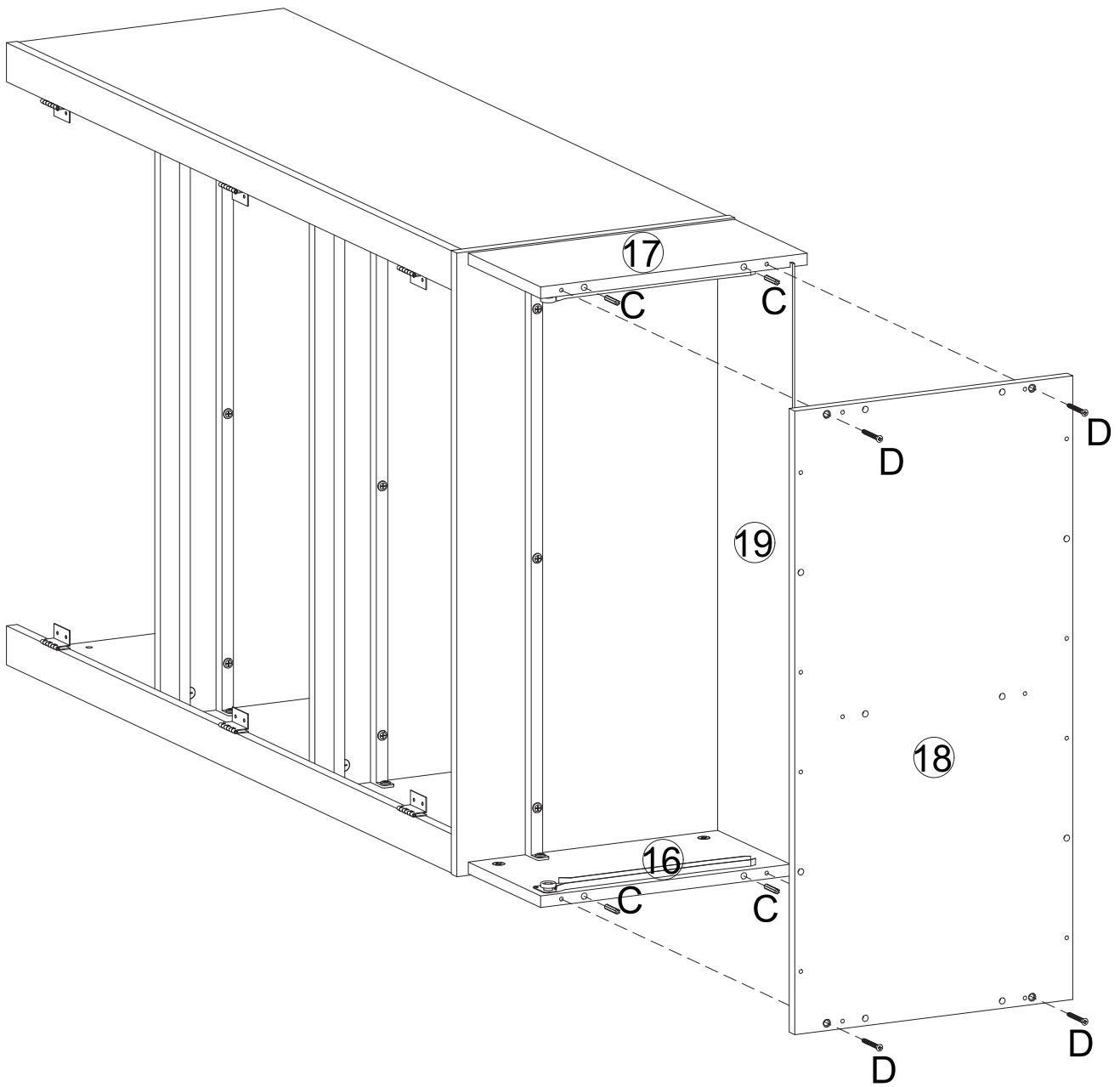
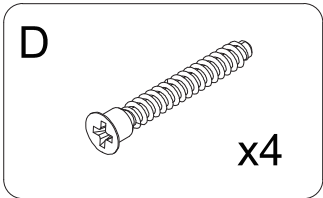
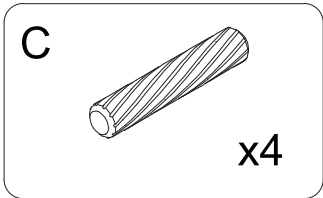


13

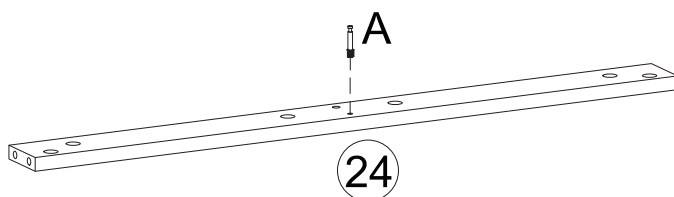
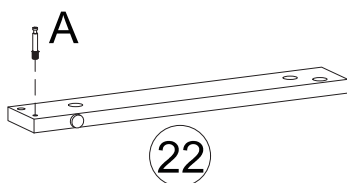
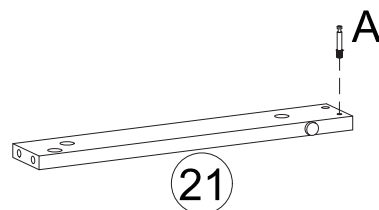
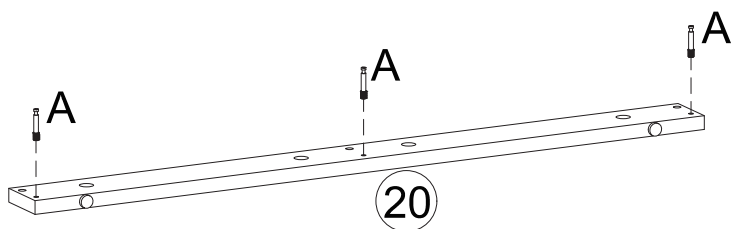
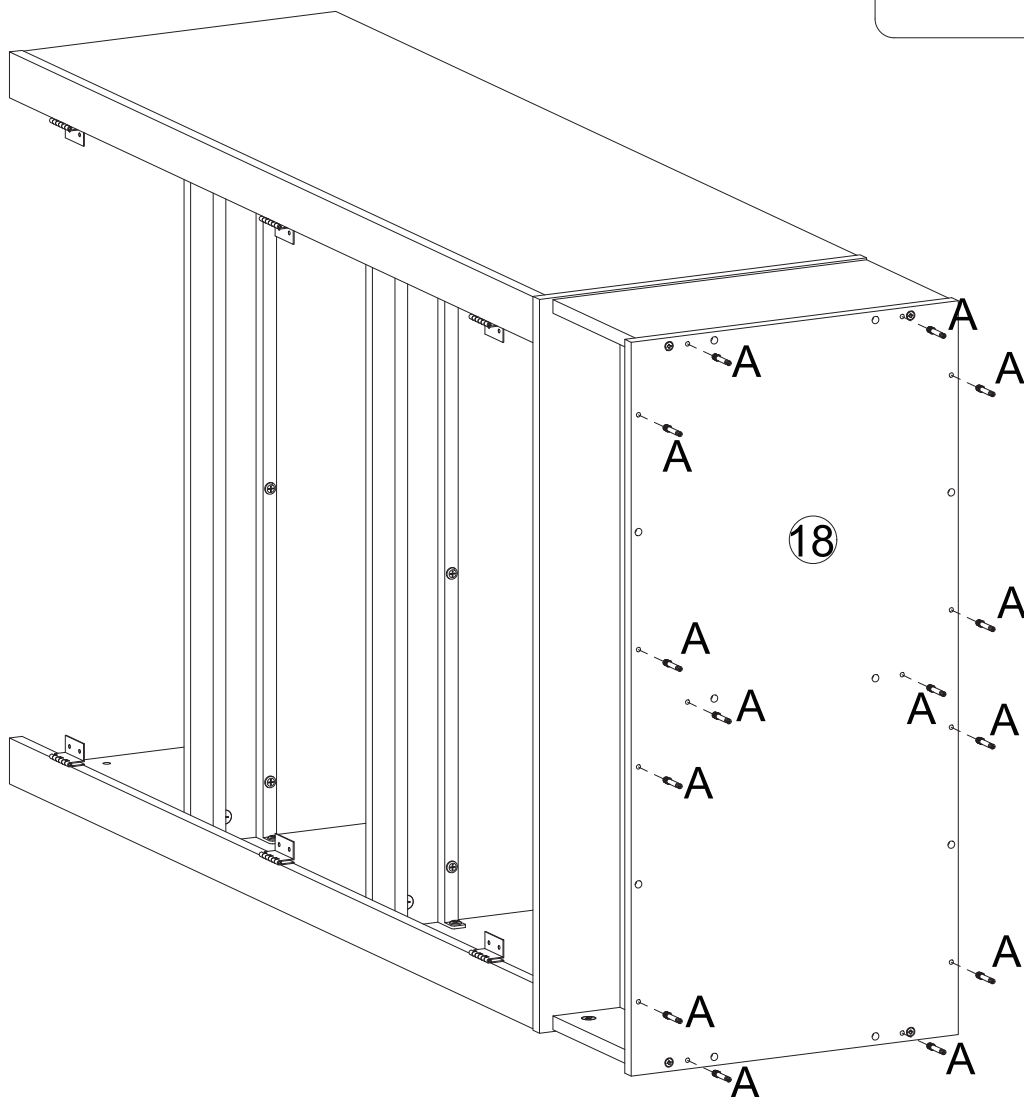
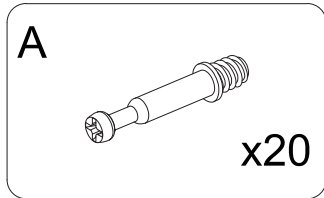


NOTE: Tighten all Bolt (I and H)

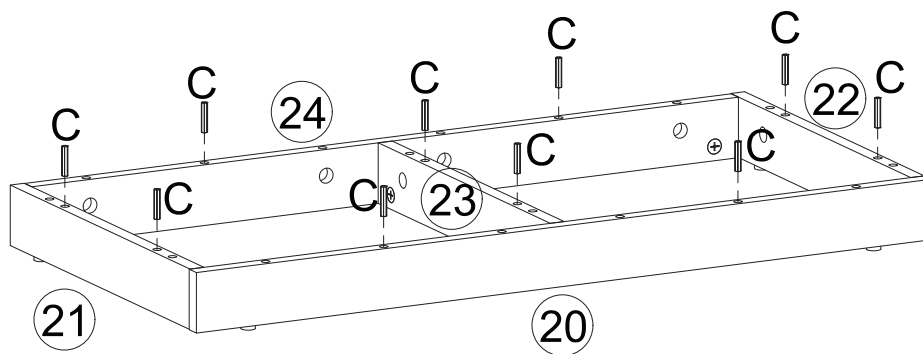
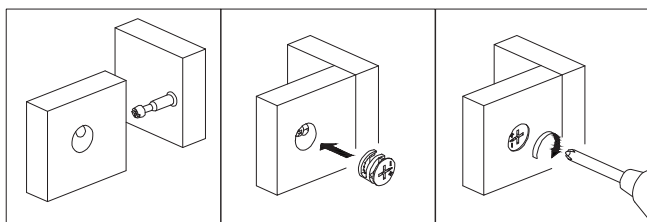
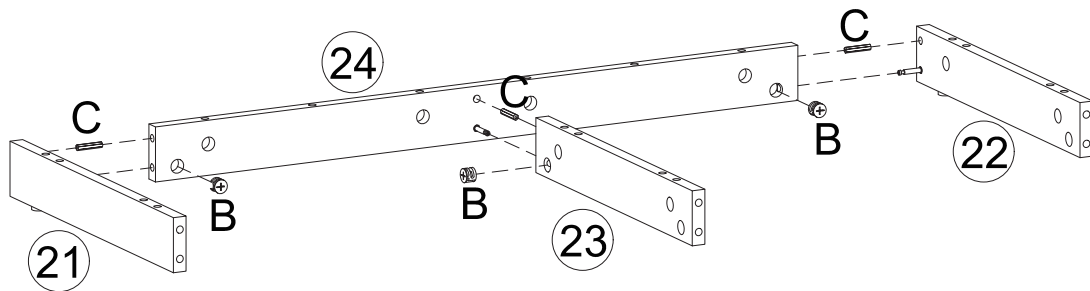
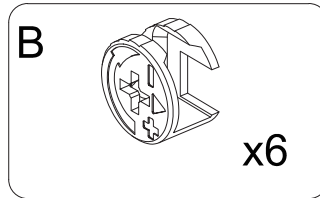
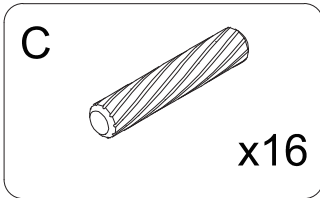
14



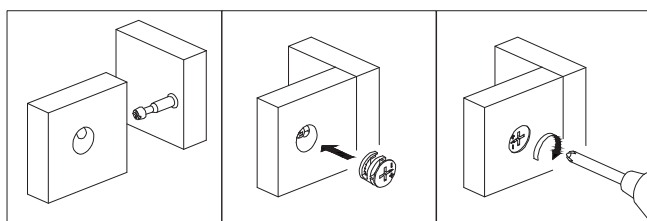
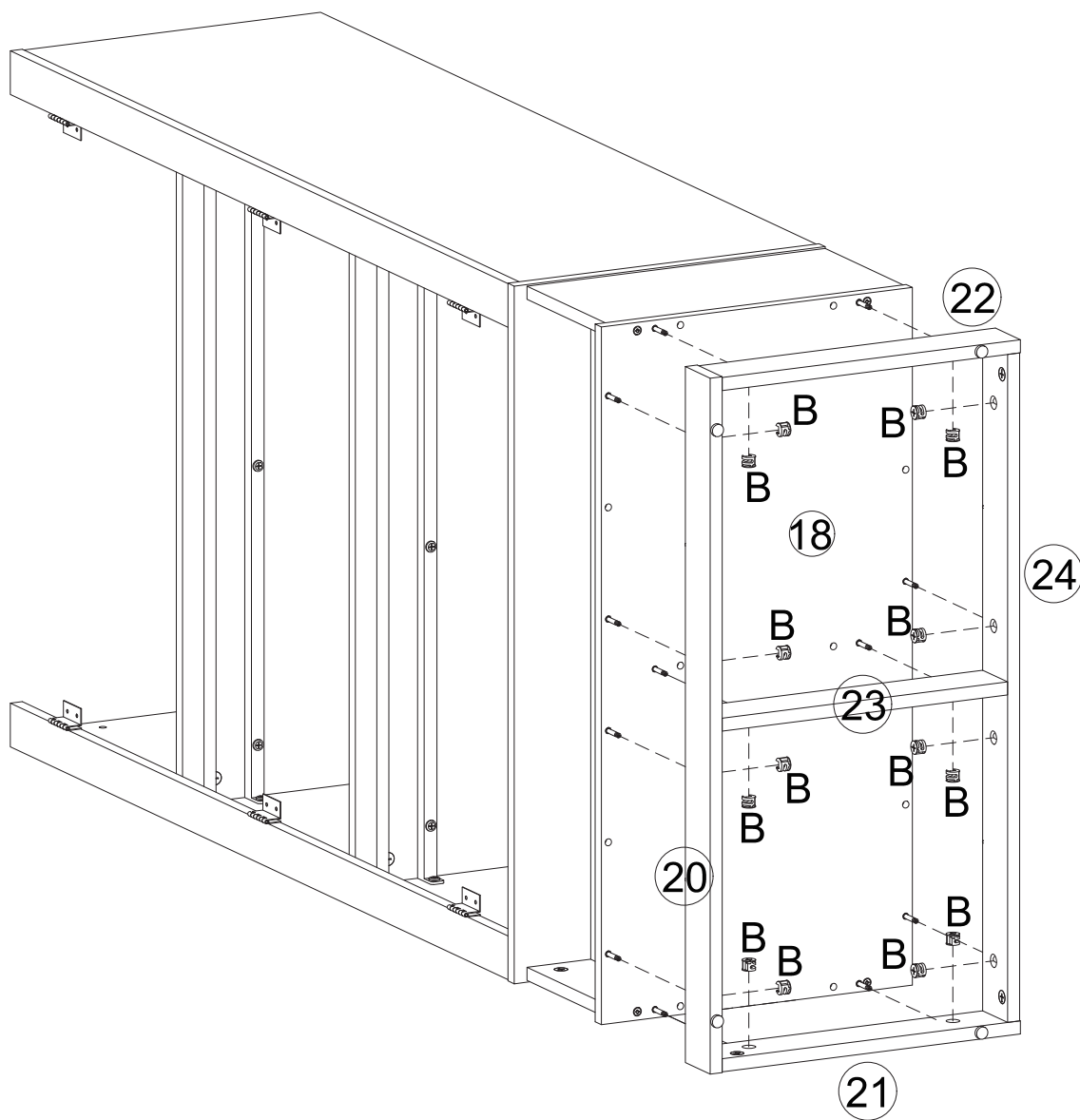
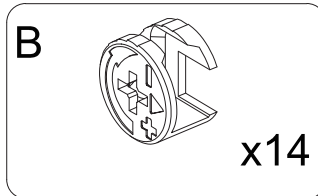
15



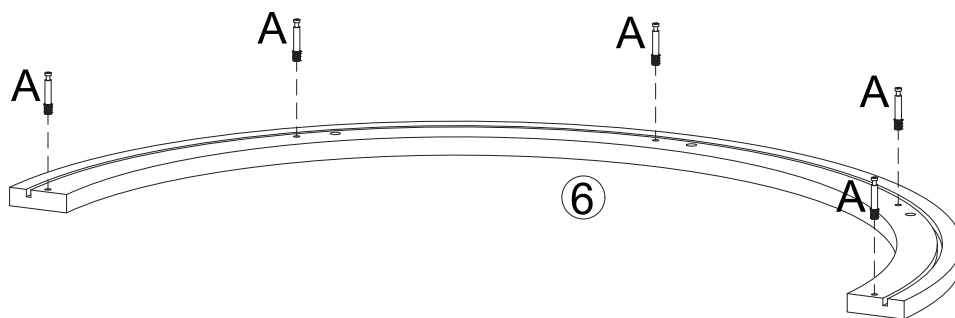
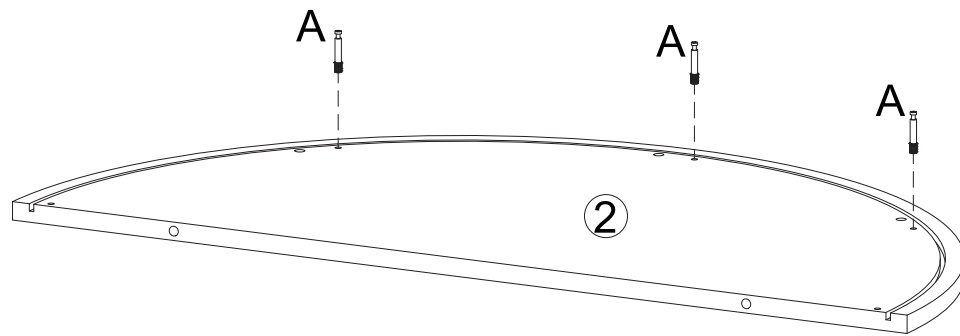
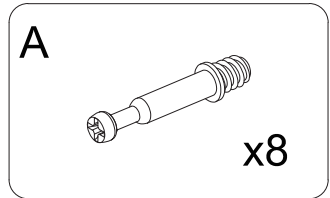
16



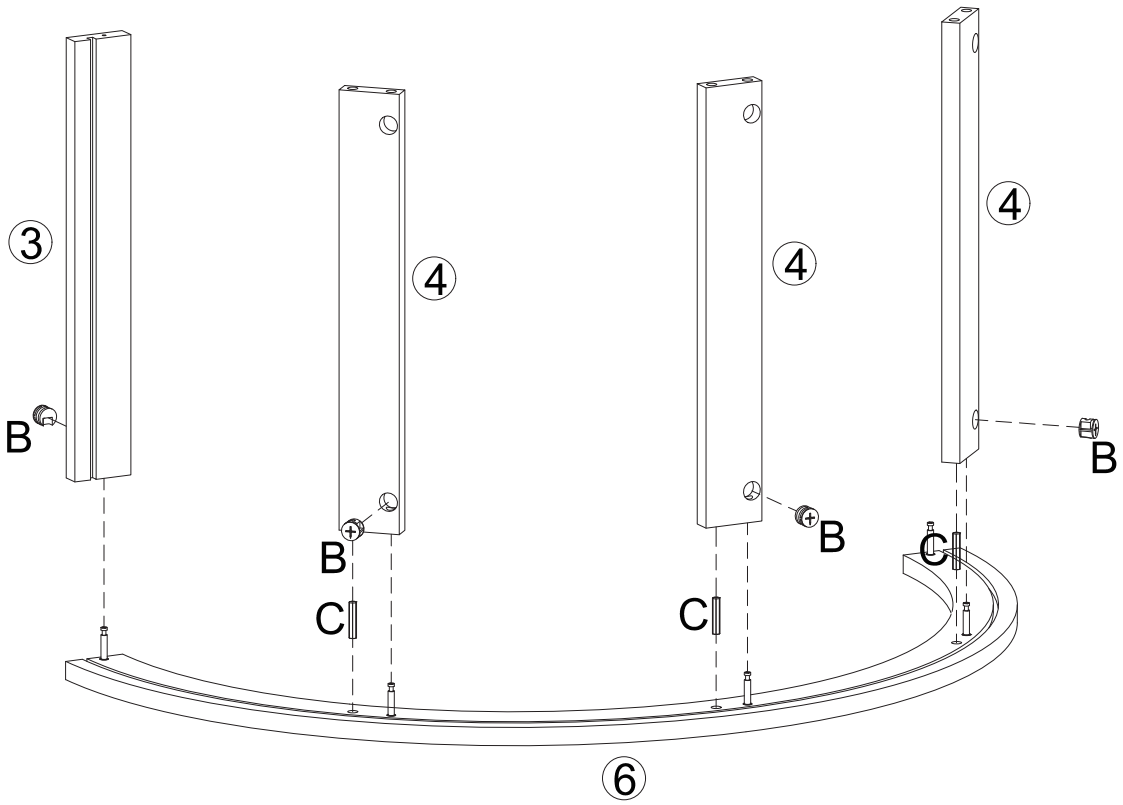
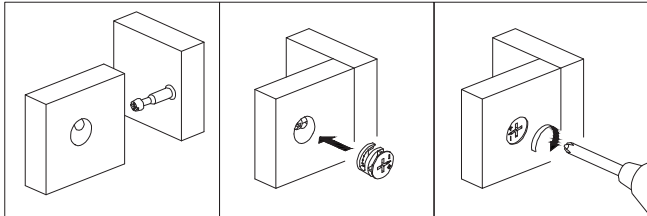
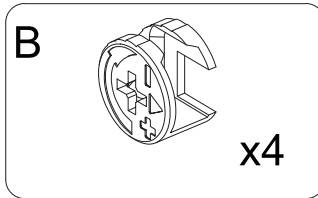
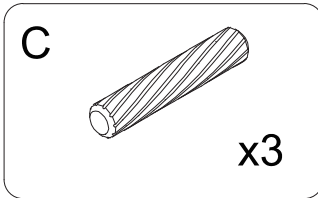
17



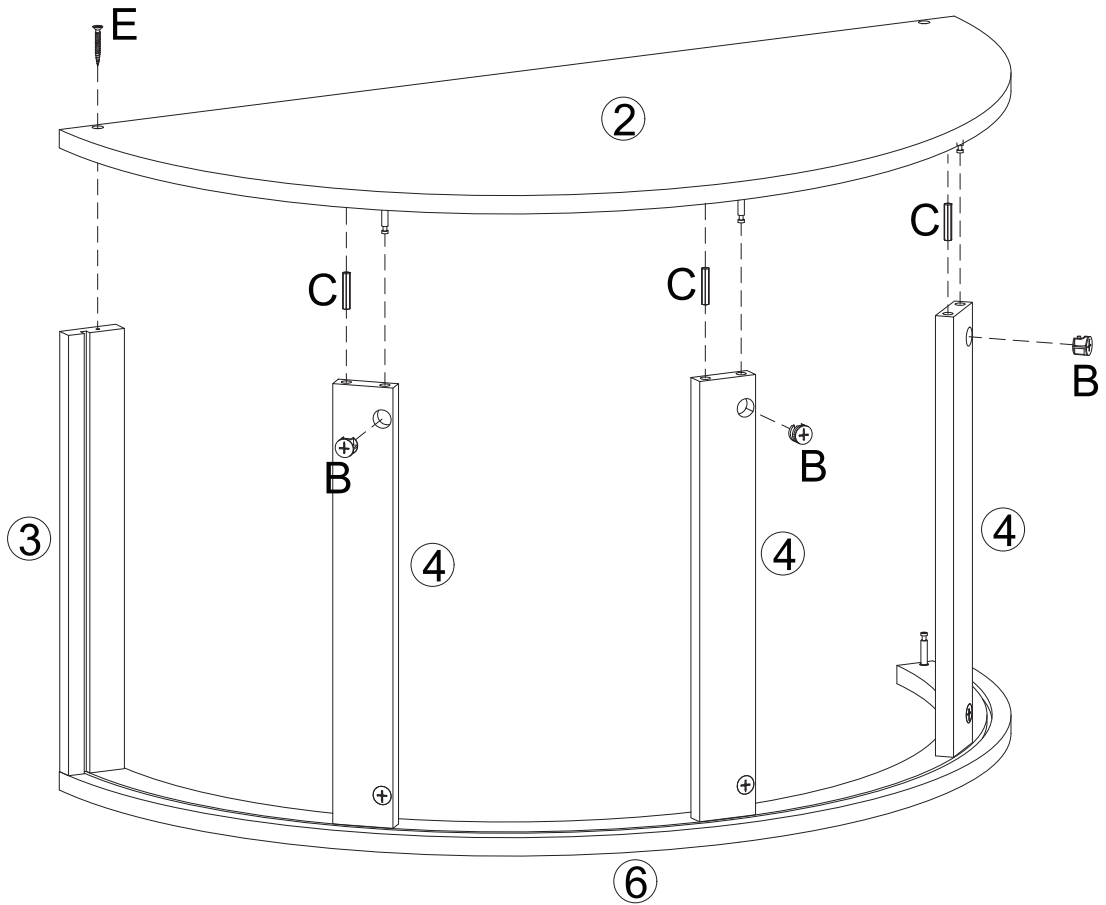
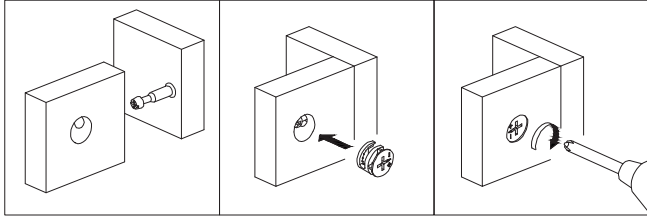
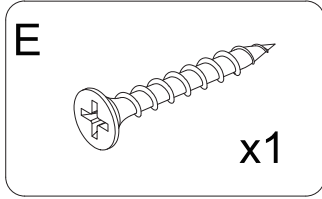
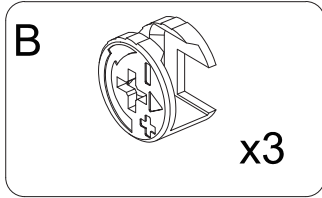
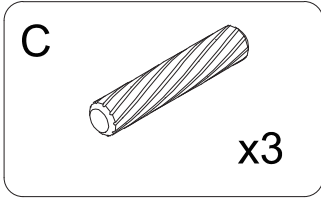
18



19



20

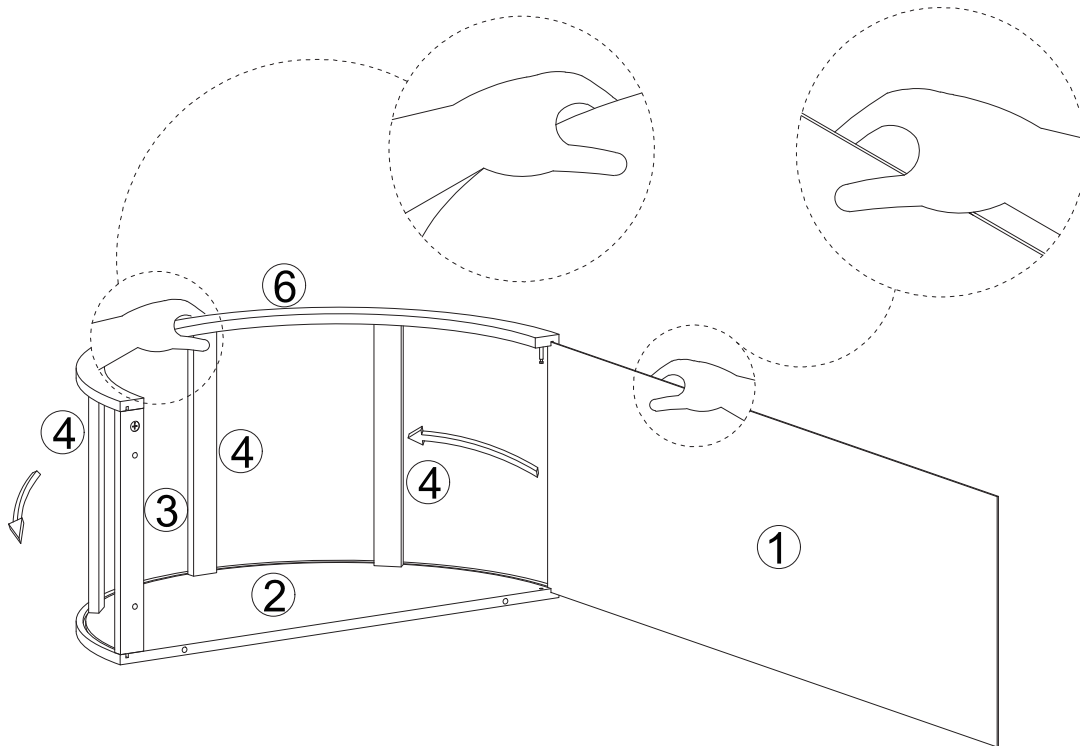


21

NOTE: It is recommended that 2 people assemble.

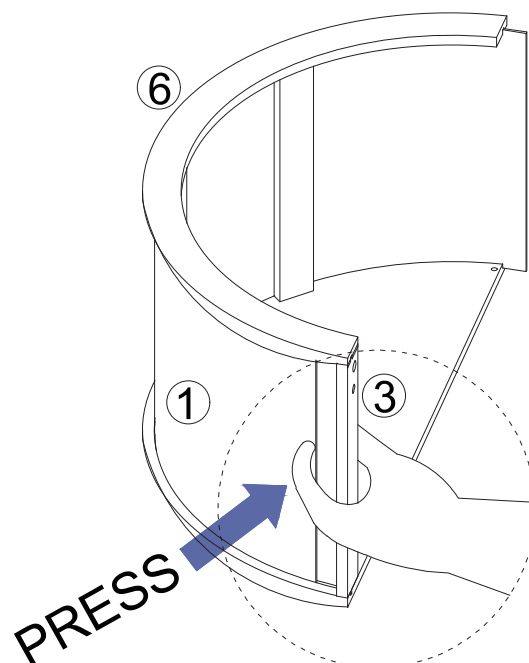
Insert Thin Board #1

Hold the middle of board #6 and insert #1 into the groove from right to left.



Secure Thin Board #1 into #3's Groove

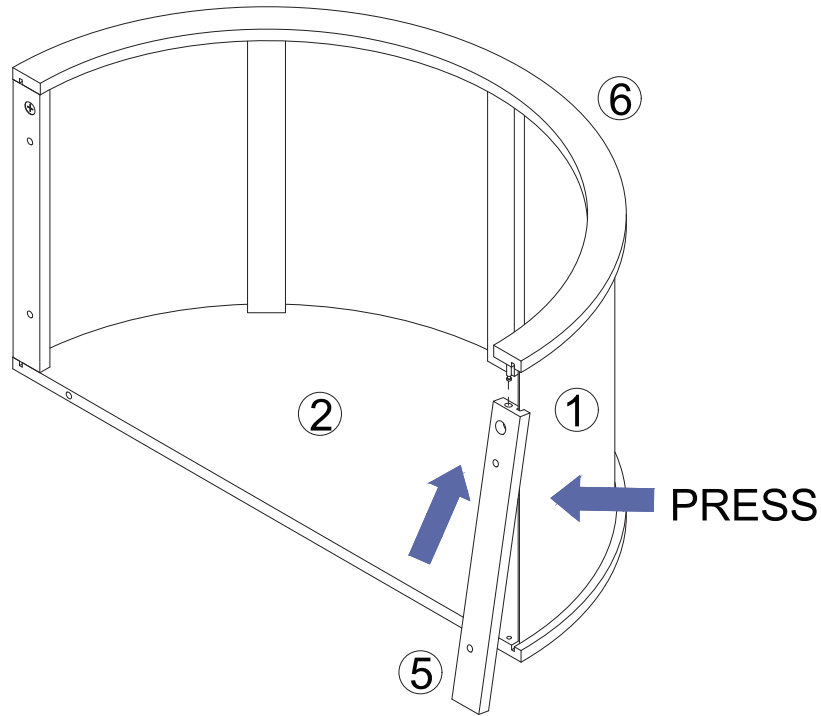
As #1 approaches #3, press #1's middle part with hand to keep it aligned with #3's groove. Simultaneously push #1 into the groove of #3 from right to left.



22

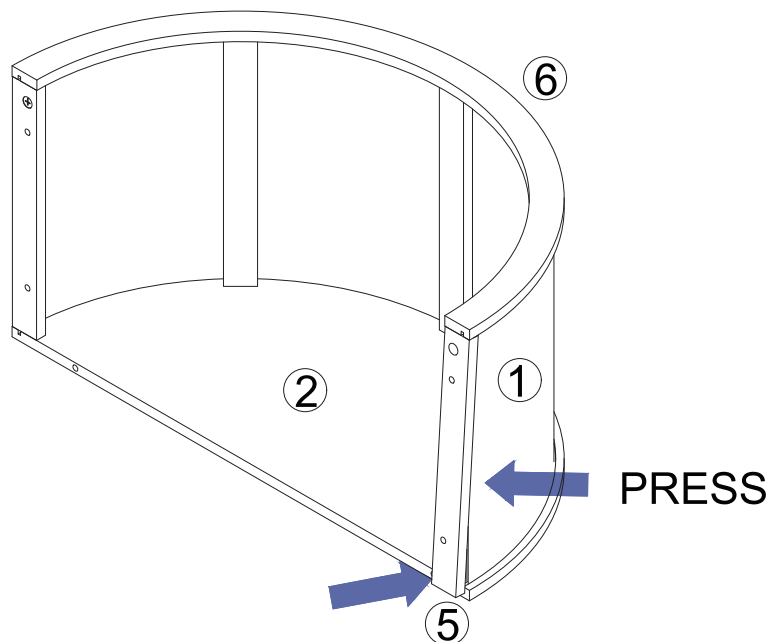
Install #5 on the Right Side

While pressing the upper end of #1 to ensure it aligned with the top of #5's groove, align #5 with the bolt on #6, and insert the top of #5 upward.

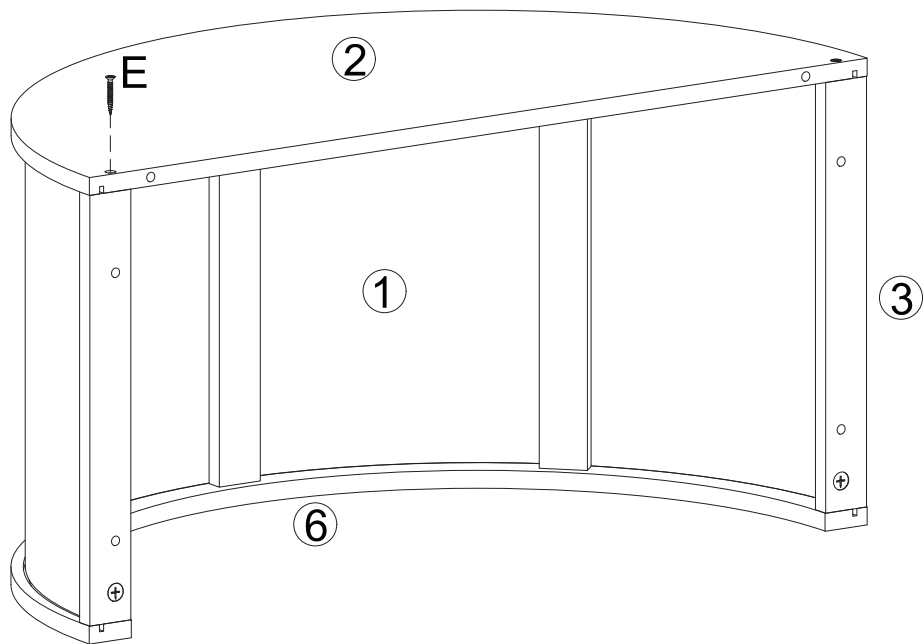
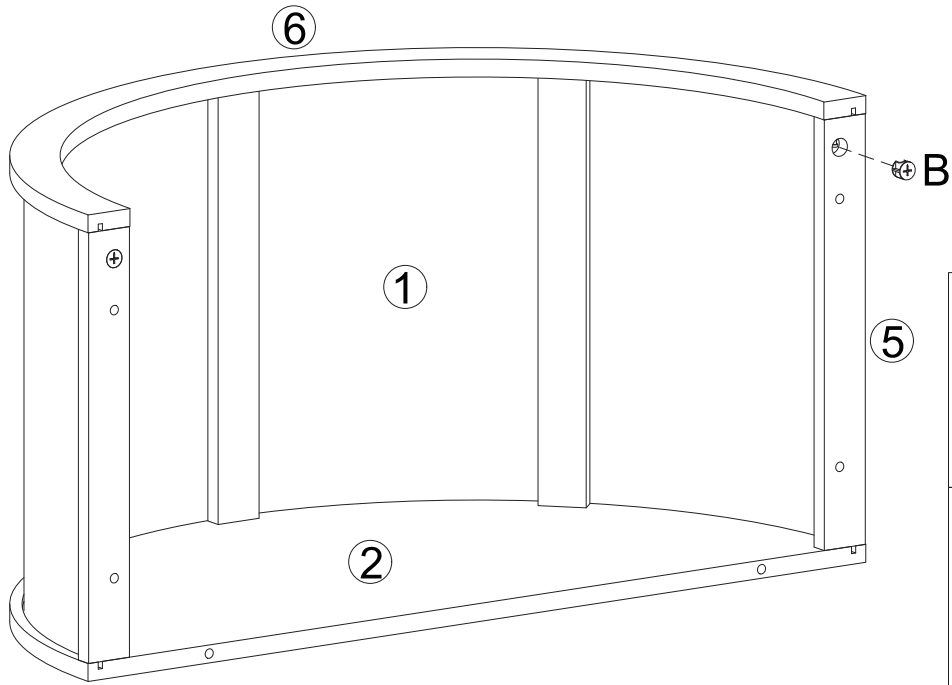
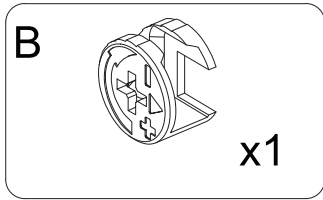
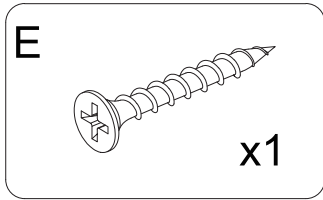


Snap #5 into Thin Board #1

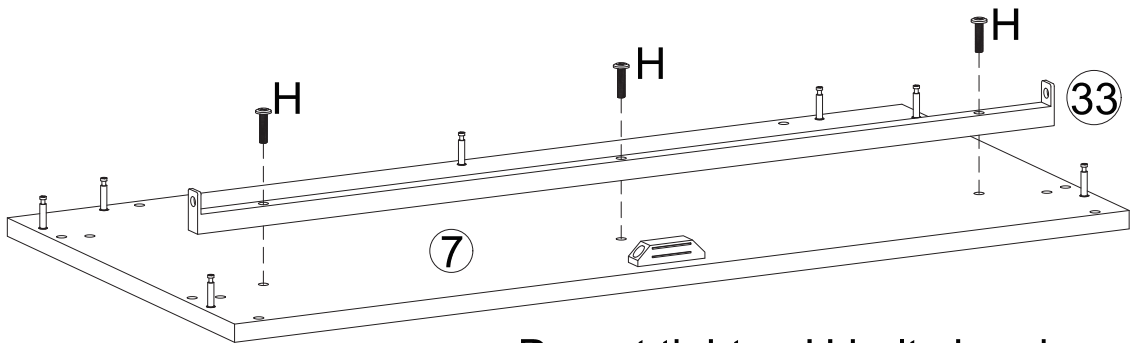
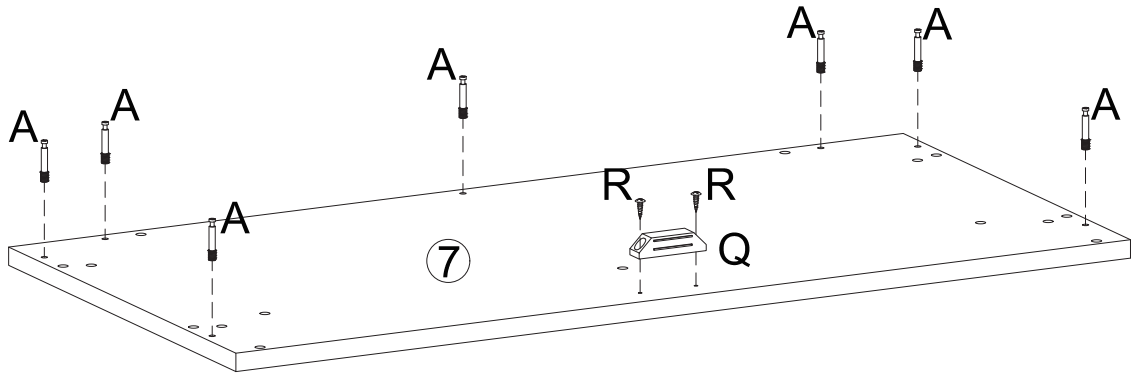
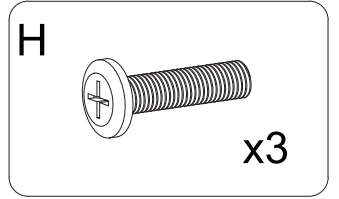
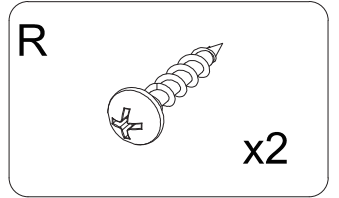
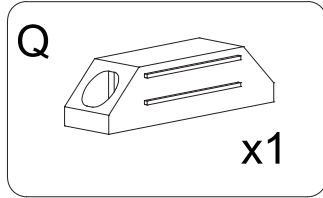
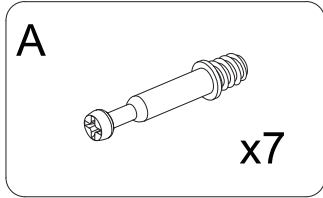
Press the middle part of #1 to align it with of #5's groove, and snap the groove on #5 into #1.



23

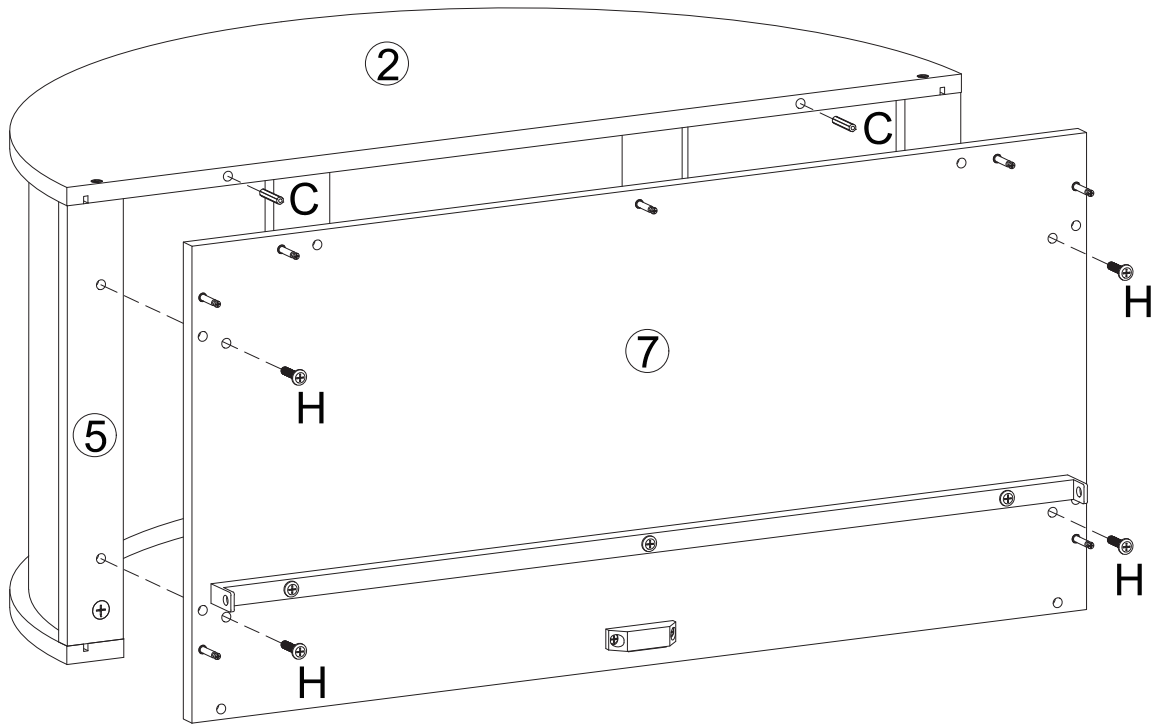
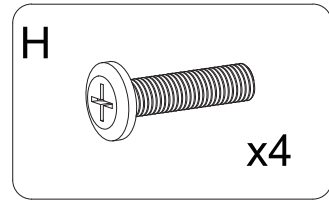
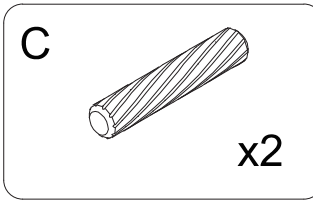


24

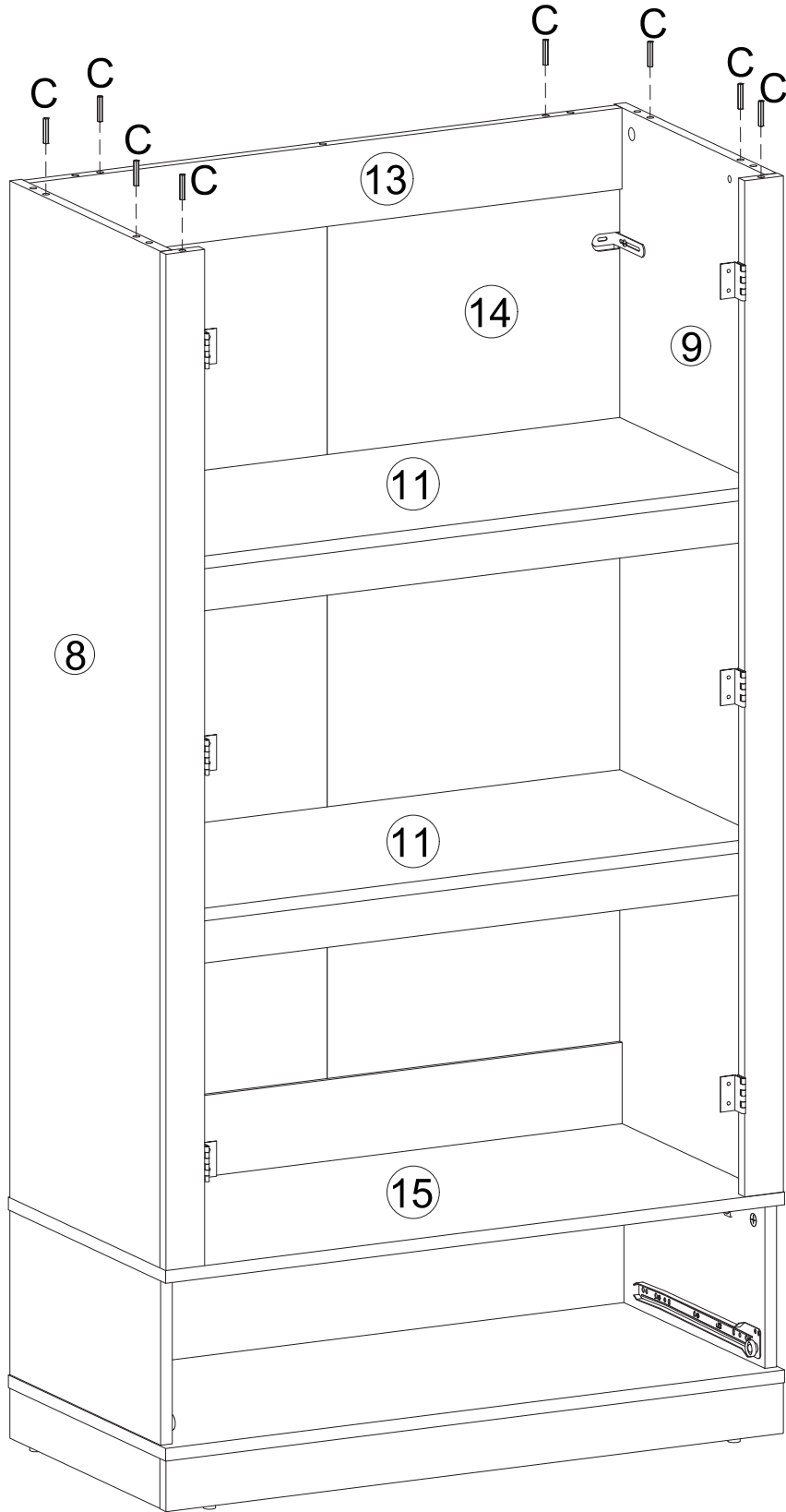
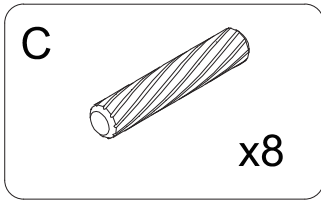


Do not tighten H bolts in advance

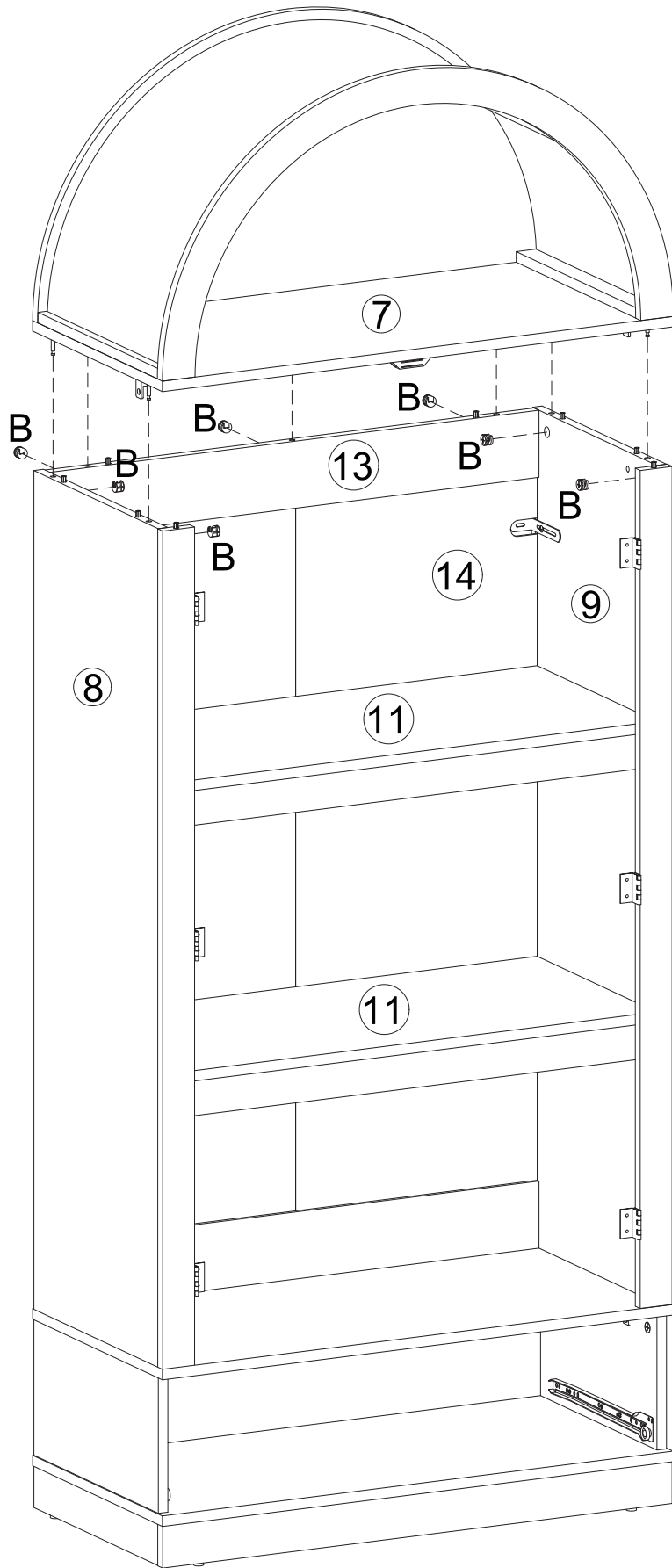
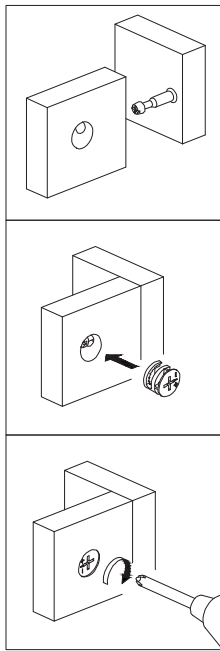
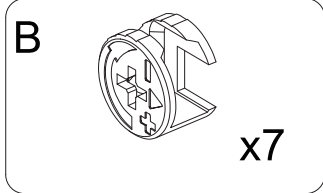
25



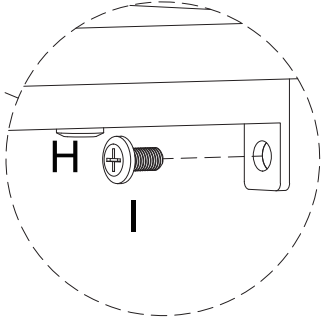
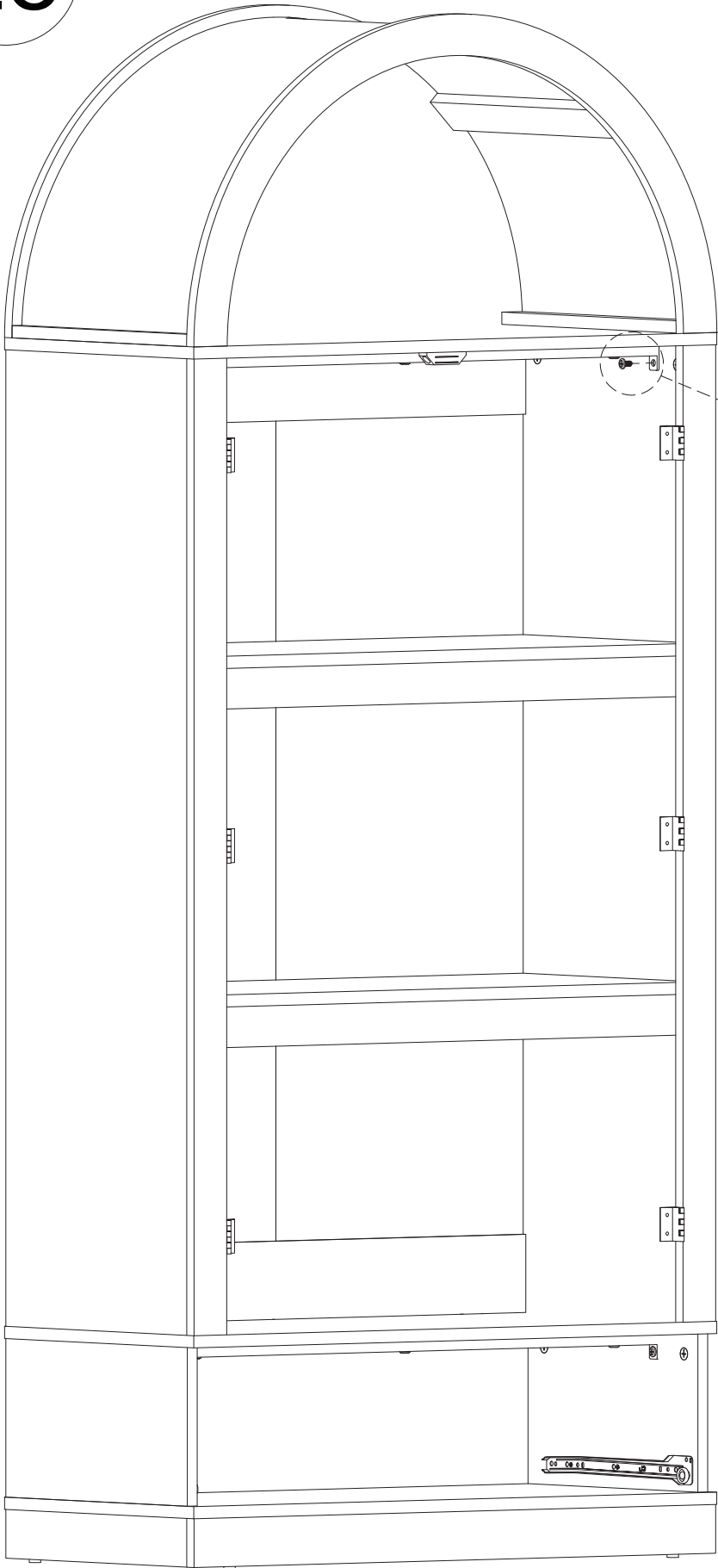
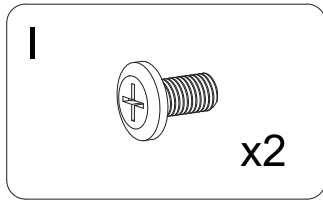
26



27

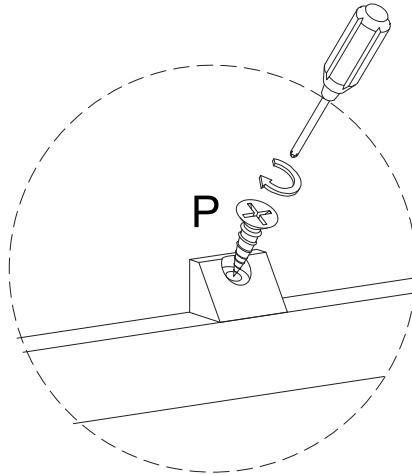
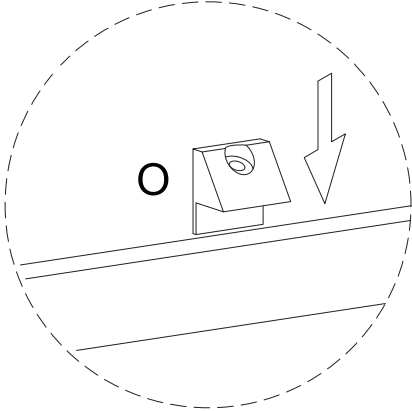
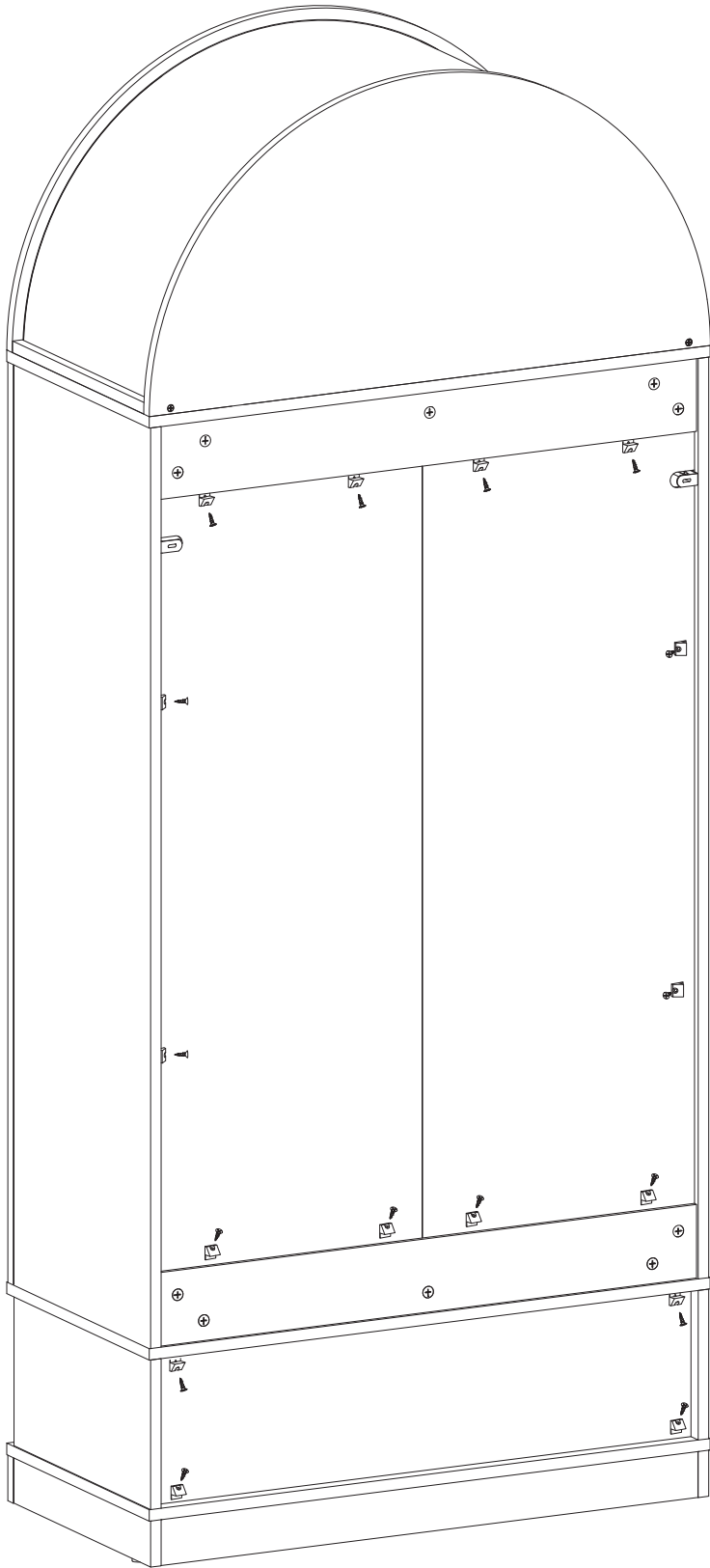
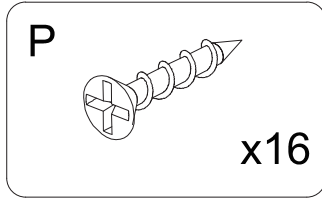
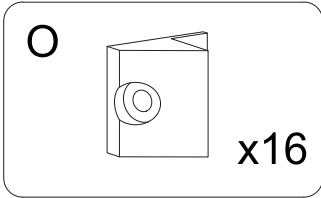


28

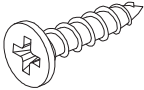


NOTE:
Tighten all Bolt (I and H)

29

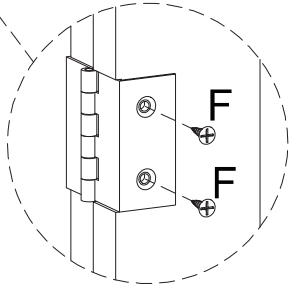
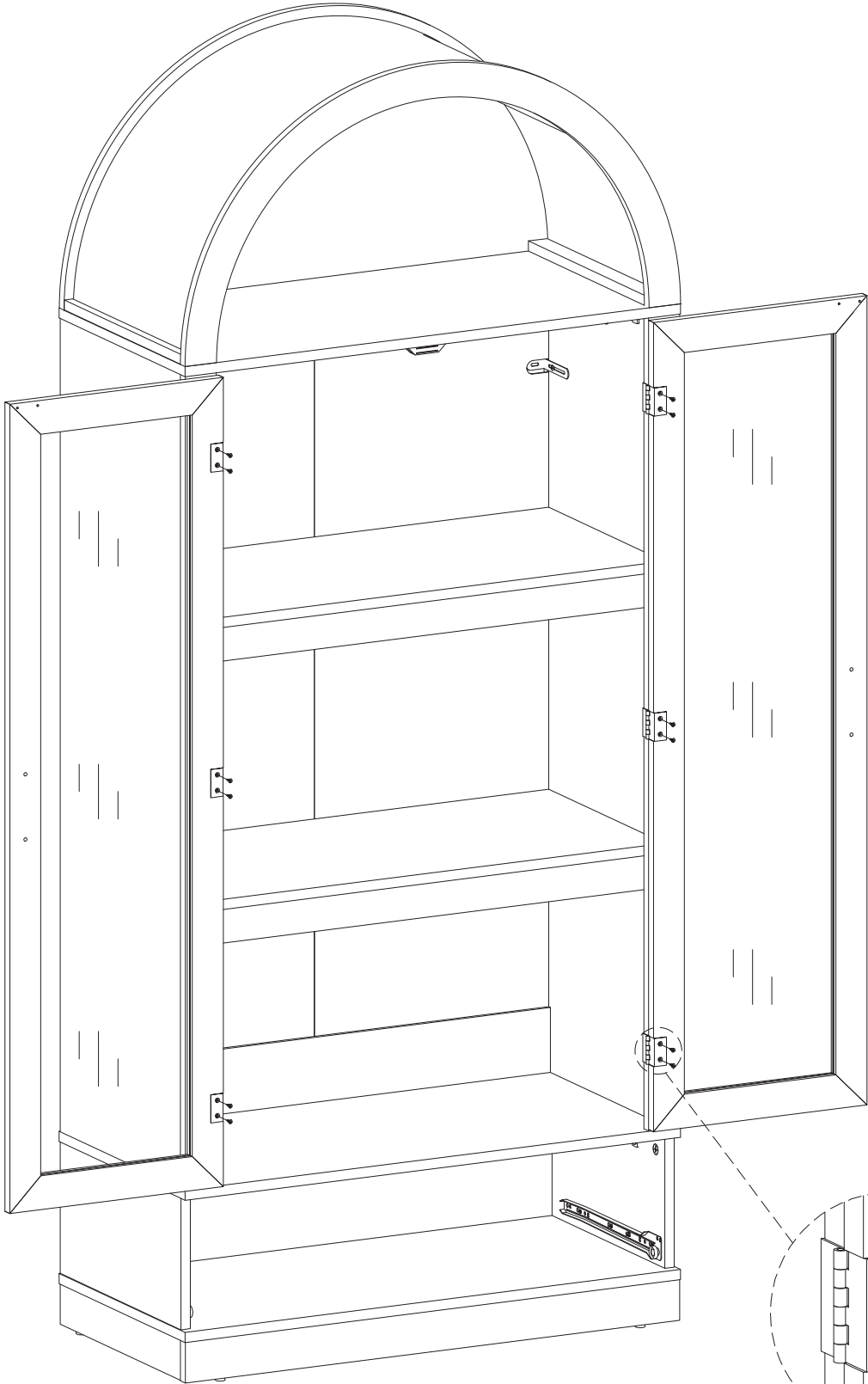


30

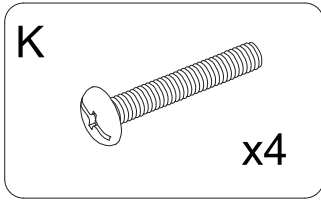
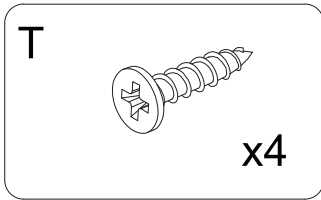
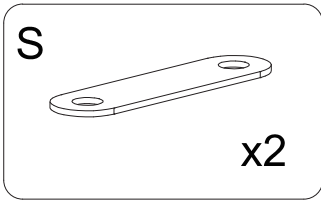
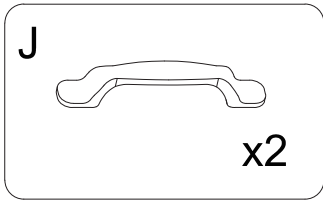
F  x12

25

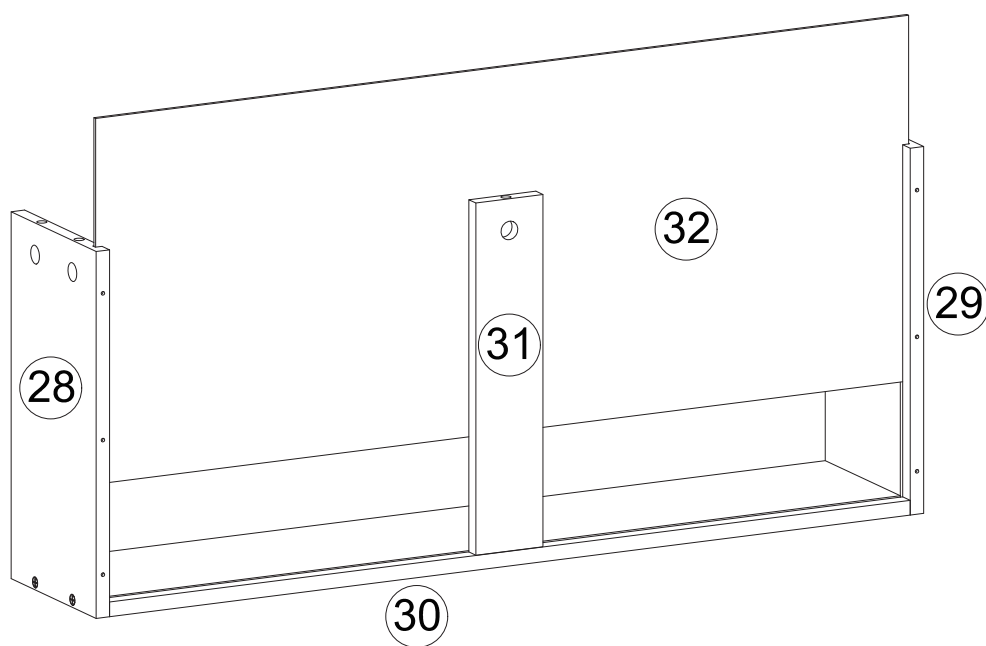
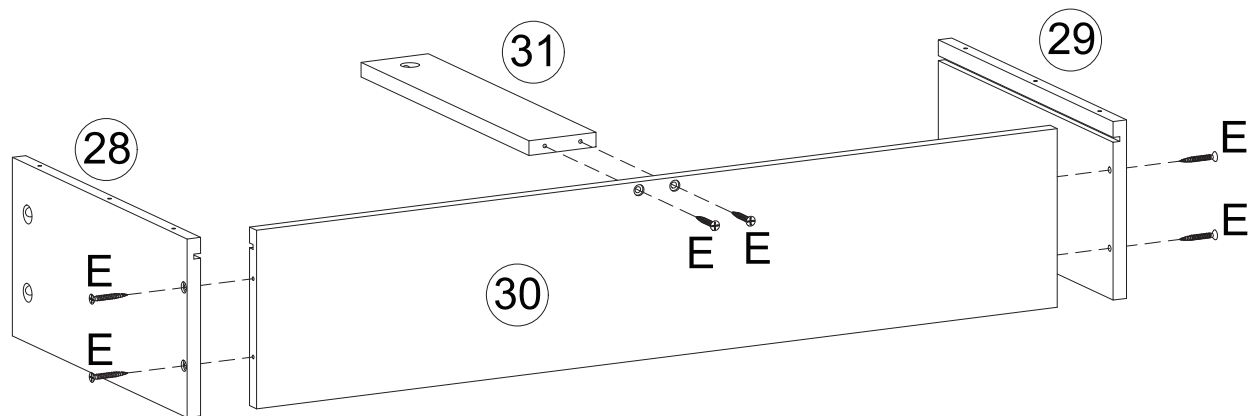
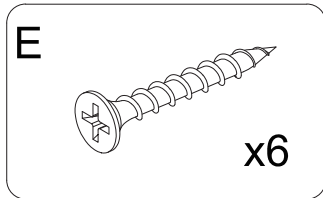
26



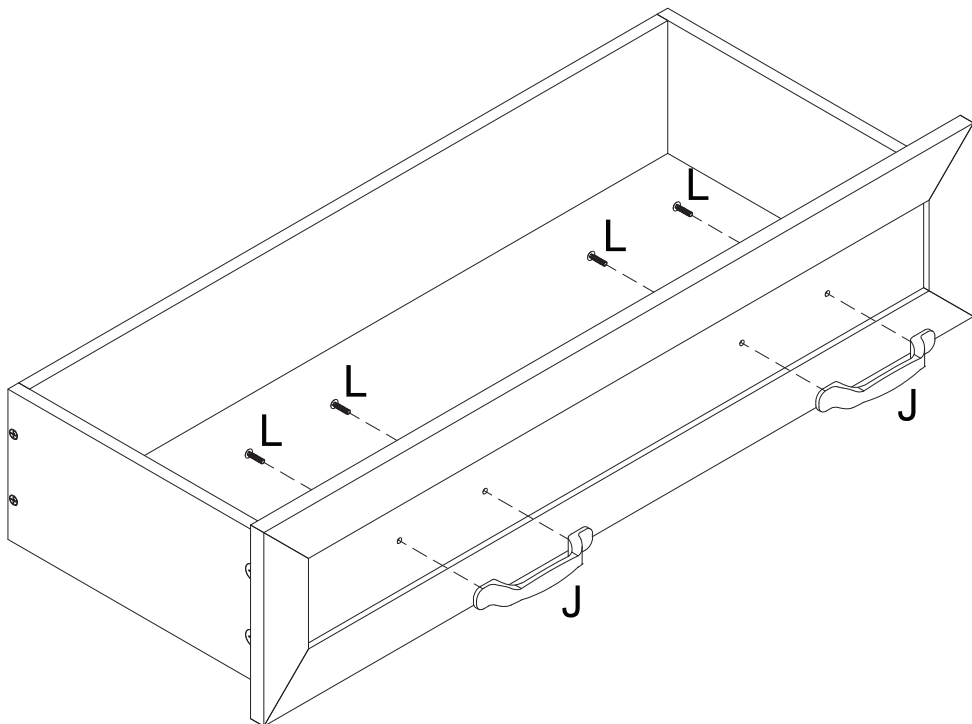
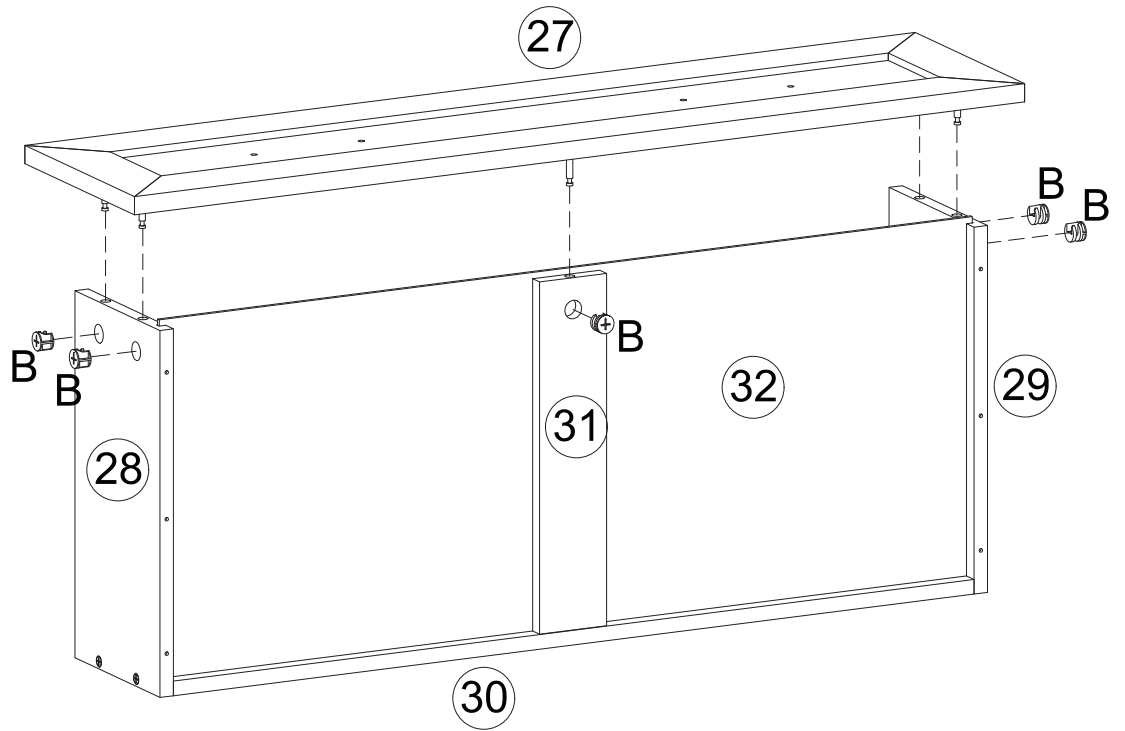
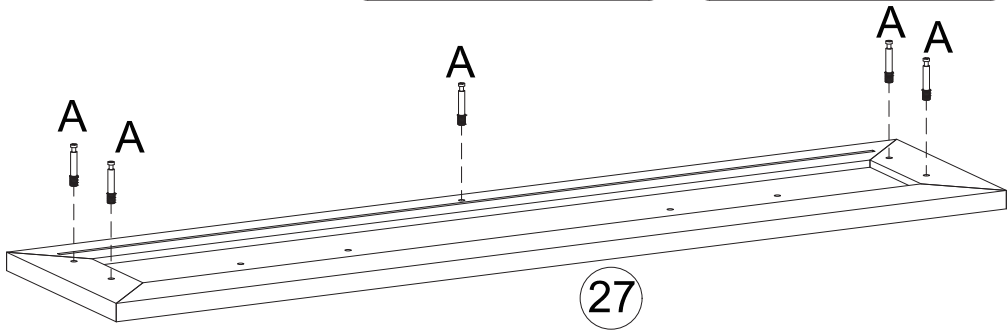
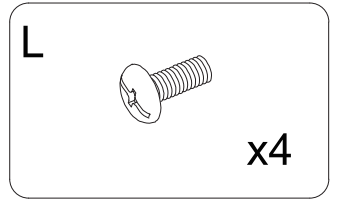
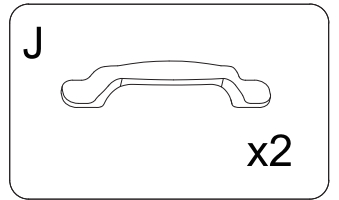
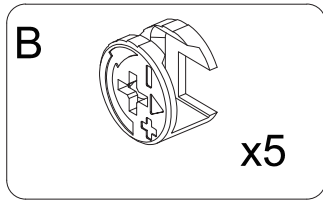
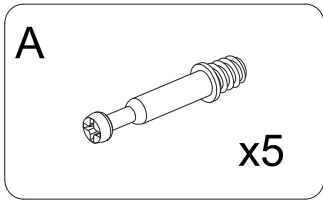
31



32

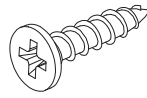


33



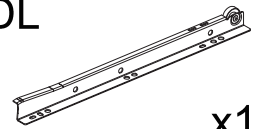
34

F



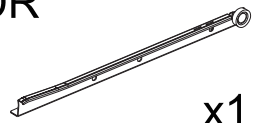
x6

DL

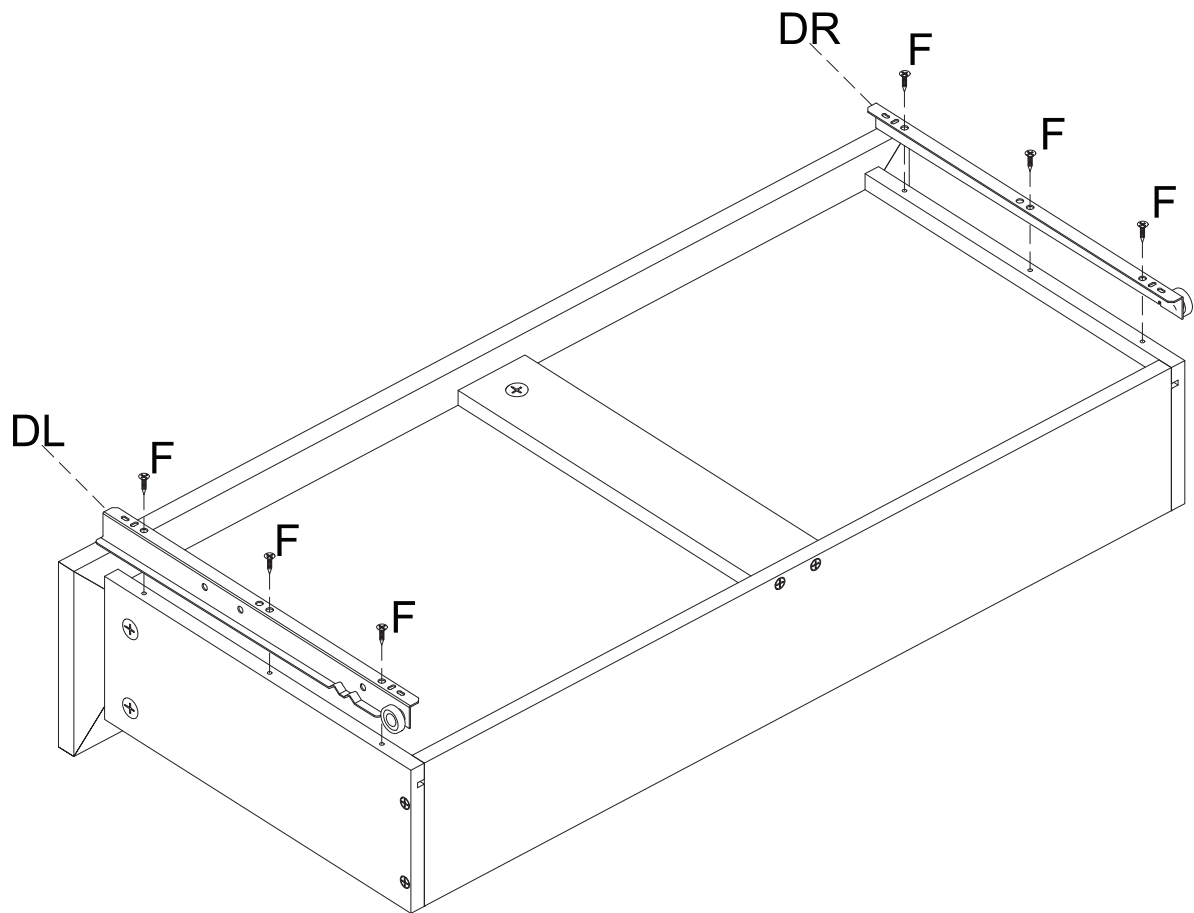


x1

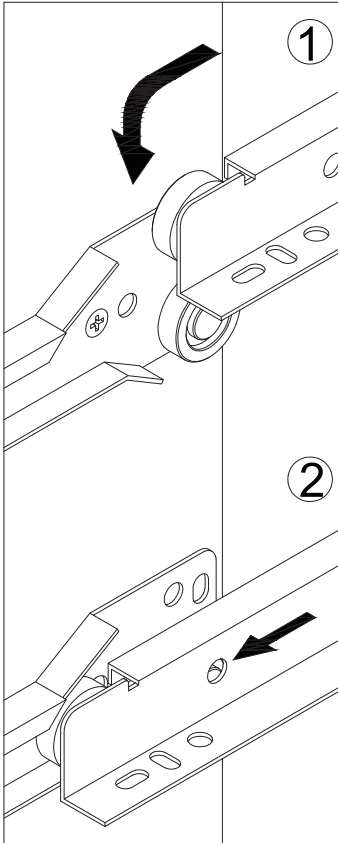
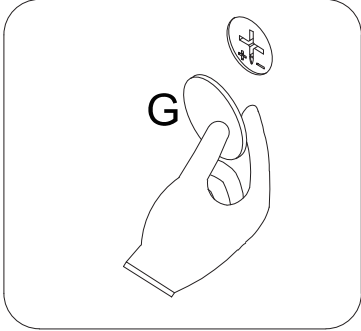
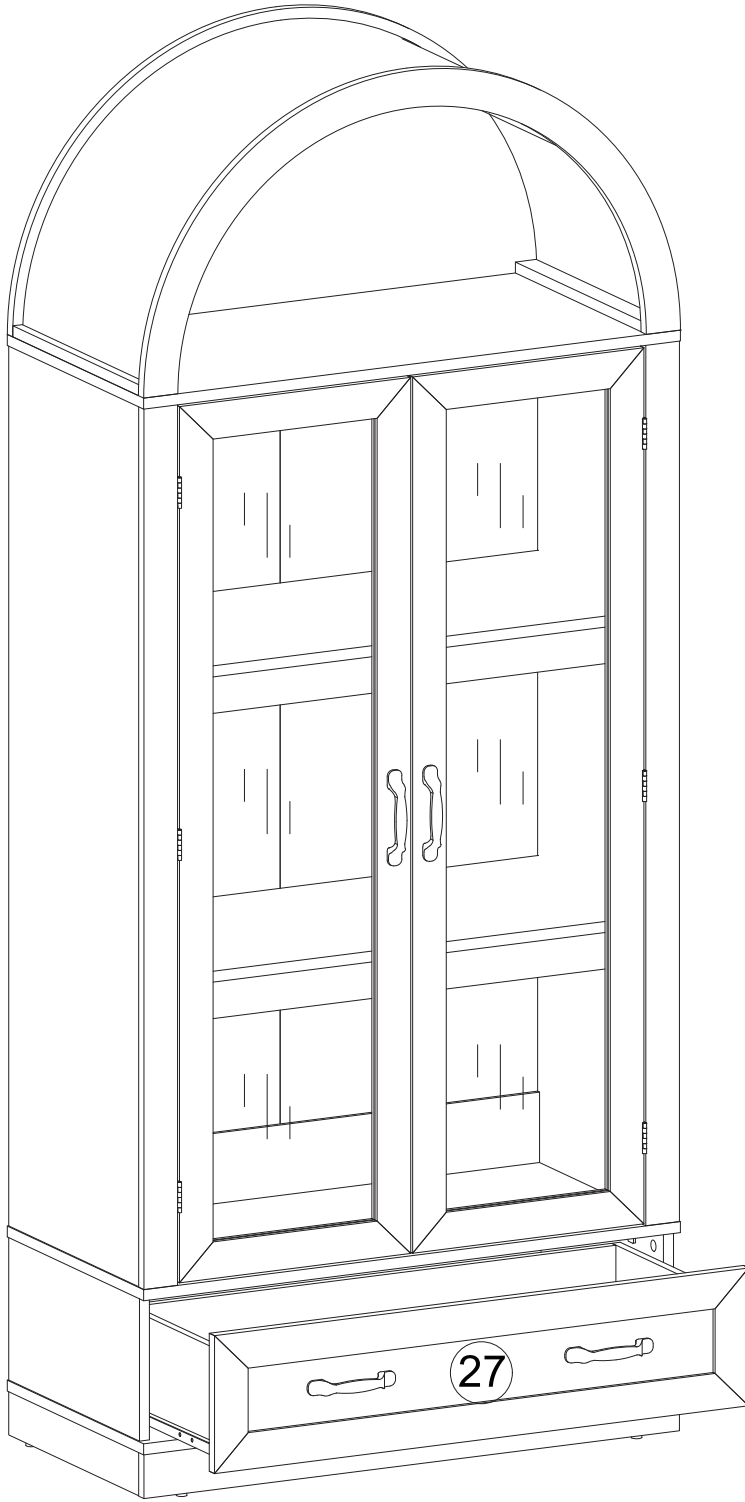
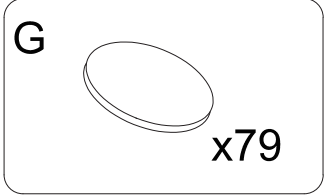
DR



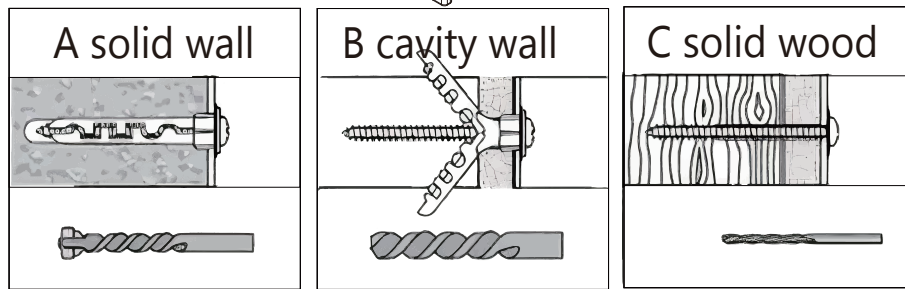
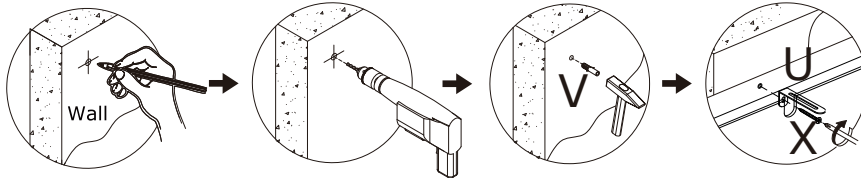
x1



36



37



! Warning: If you overturn the furniture, it may cause serious or fatal crushing injuries. We have a wall connection device attached, please use it to hold the furniture following these instructions.

1. Mark the corresponding hole positions where you want to place the furniture;
2. Use a impact drill to drill holes and pay attention to avoid wires and water pipes;
3. Knock the expansion pipes into the wall holes;
4. Place the furniture in the corresponding position and tighten the wall connection device with screws.

