

Mobile Kitchen Island



After-sales mailbox:
Homefurnitureserviceteam@outlook.com

NOTICE

Please keep these instructions for future reference.

Dear Customer

● Thank you for your purchase. When you receive the product, please make sure that all the parts are intact. If any parts are missing, please contact us promptly to request replacement parts.

● Then follow the entire installation instructions to install.

● Each part is crucial, so please be careful not to lose any. It is recommended to store parts with different lettered identifiers in separate boxes or bags to avoid confusion during installation.

A . The outer box is damaged

B . The product is damaged / bent / cracked while you open the box

C . The parts / accessories / assembly tools are missing

D . The instructions are not clear and can not be referred

E . The product has functional problems

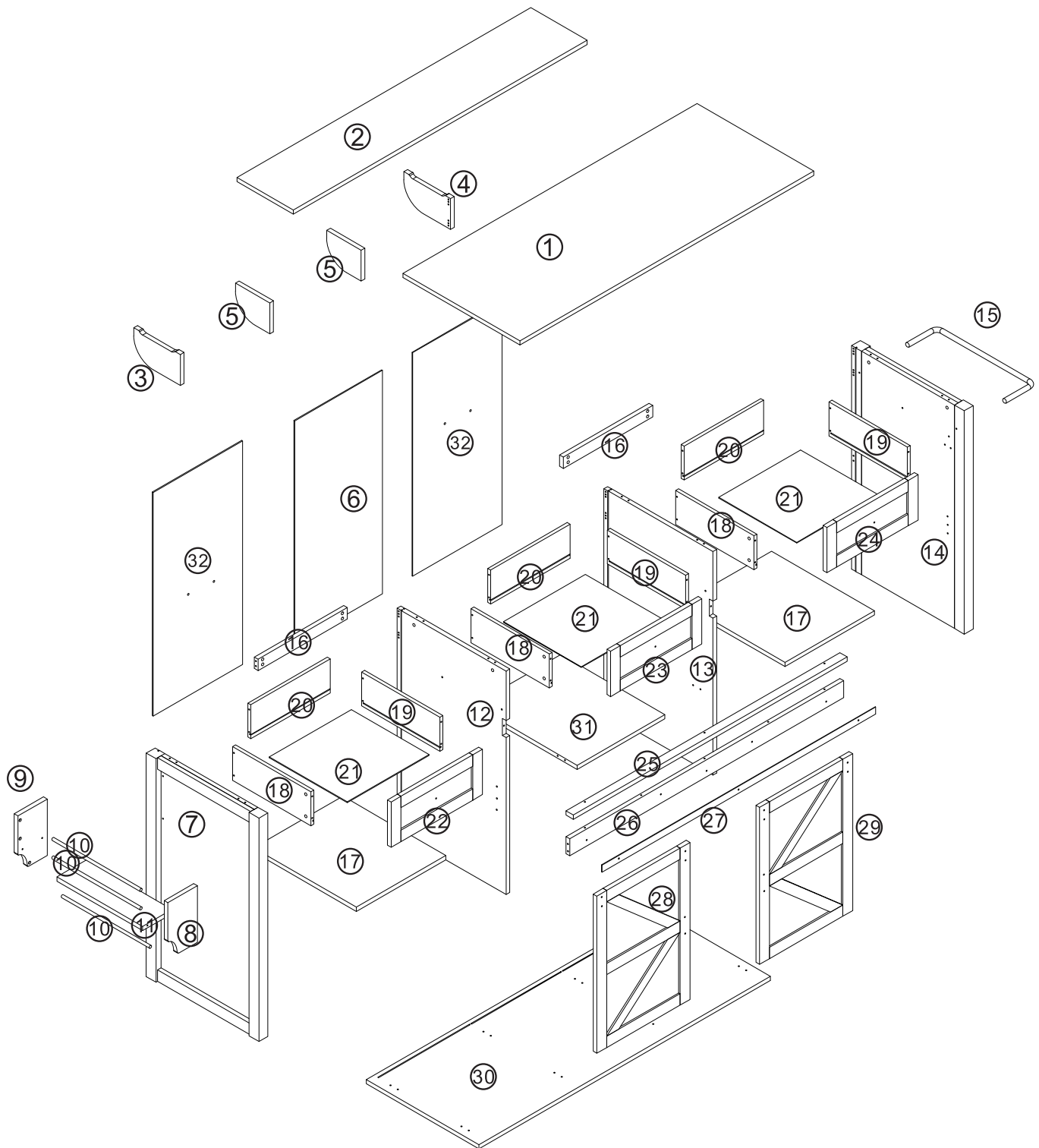
F . Other aspects that you are not satisfied with


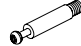









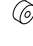



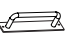







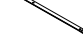

Please feel free to contact us for help. Our after-sales team service

(Homefurniture Serviceteam@outlook.com) will reply within 24 hours and will do our best to resolve the problem for you.



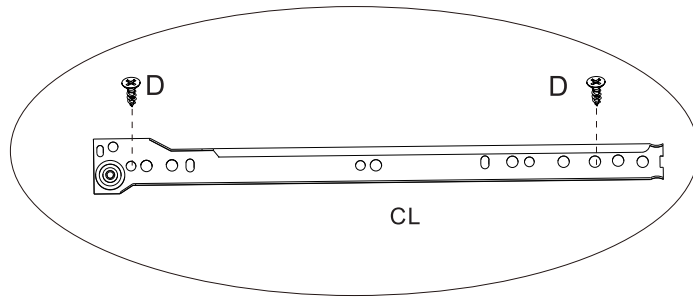
EXPLODED VIEW






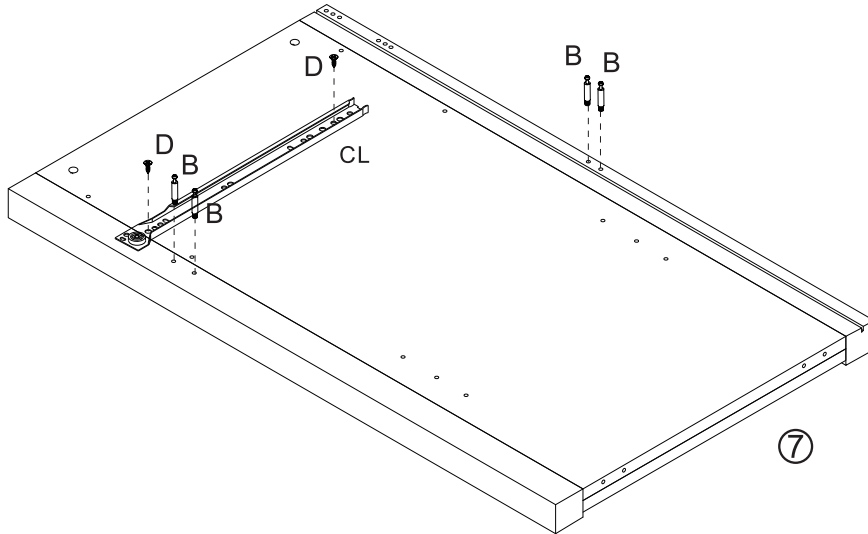
 Ax40	 Bx40	 Cx22	 Dx90	 Ex19	 Fx5	 Gx24	 Hx2	 Ix3
 Jx11	 Kx8	 Lx3	 Mx3	 Nx10	 Ox4	 Px2	 Qx4	 Rx12
 Sx3	 Tx3	 Ux12	 CLx3	 CRx3	 DLx3	 DRx3		

STEP

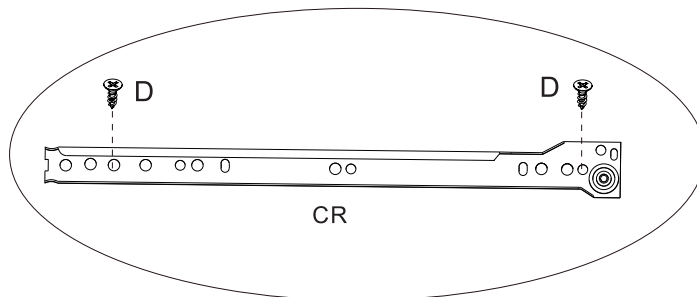
01



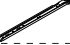


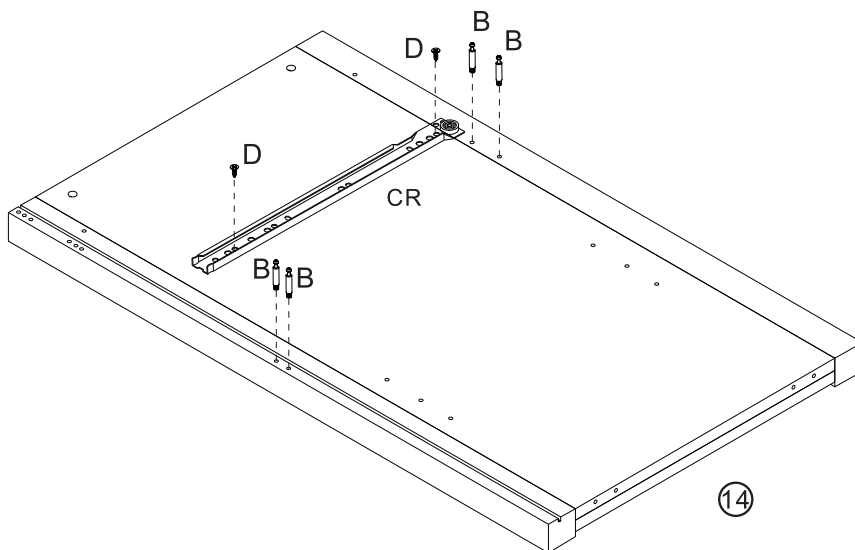
	Bx4
	Dx2
	CLx1



02






	Bx4
	Dx2
	CRx1

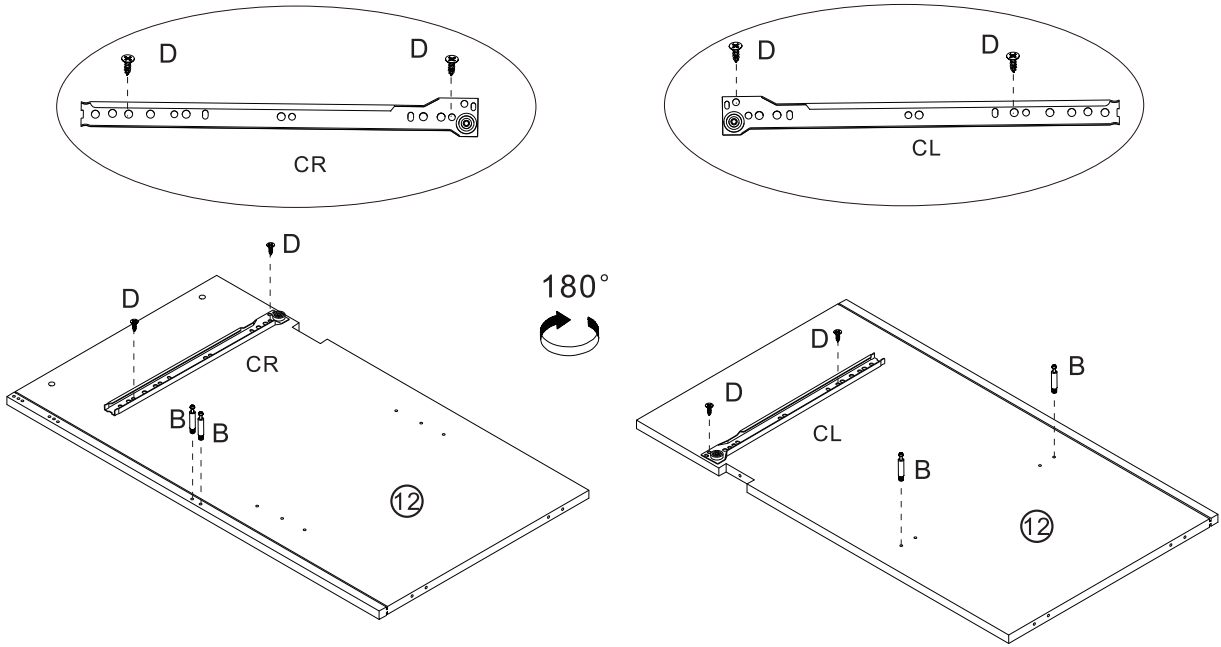


03





STEP

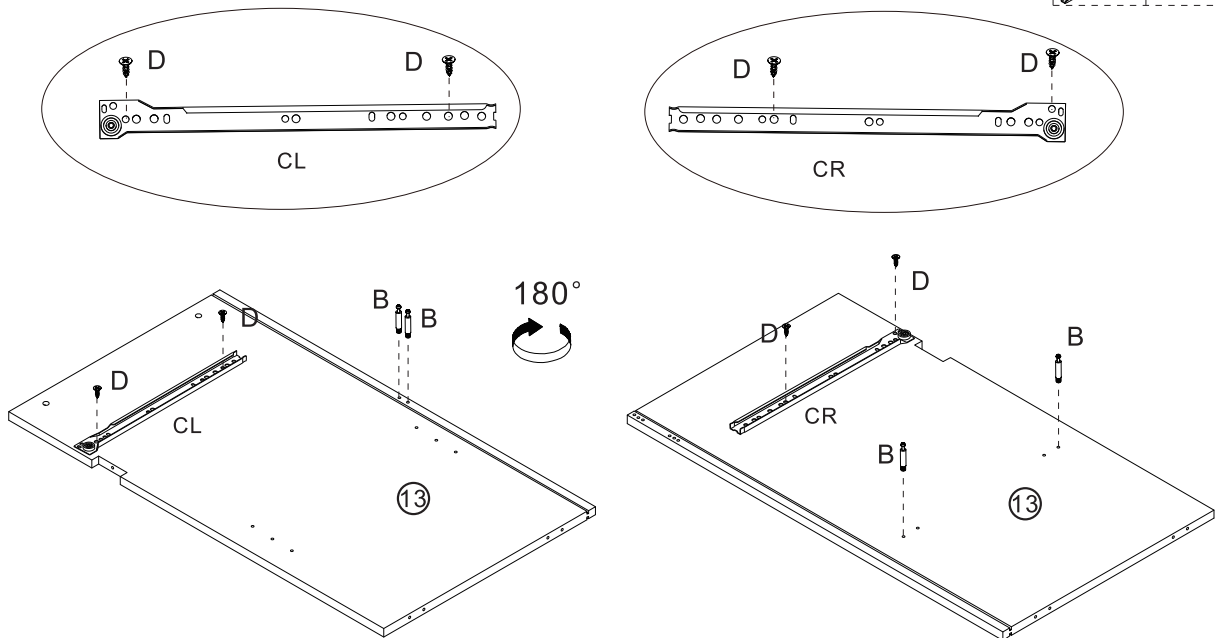
03

	Bx4
	Dx4
	CLx1
	CRx1



04

	Bx4
	Dx4
	CLx1
	CRx1



STEP

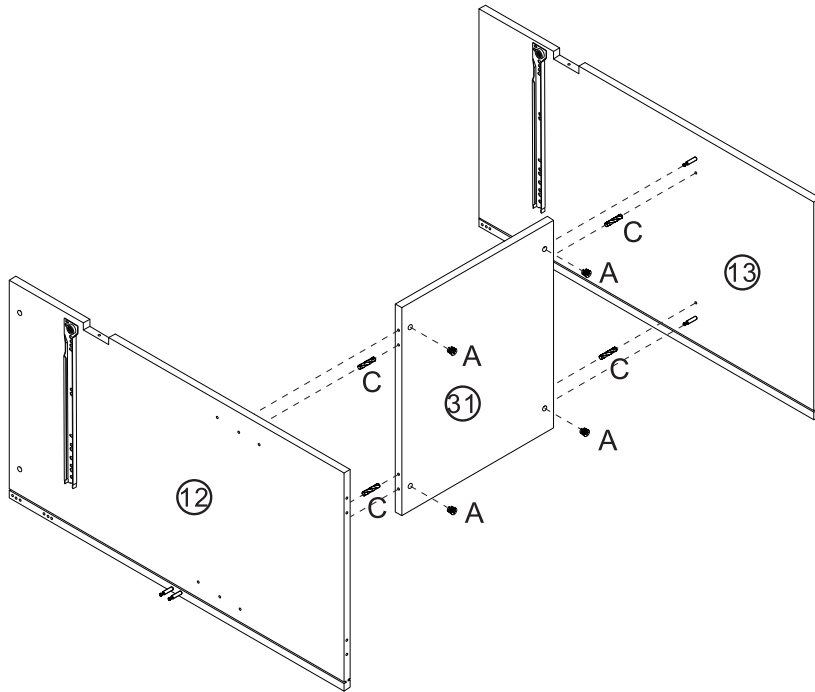
05



Ax4



Cx4



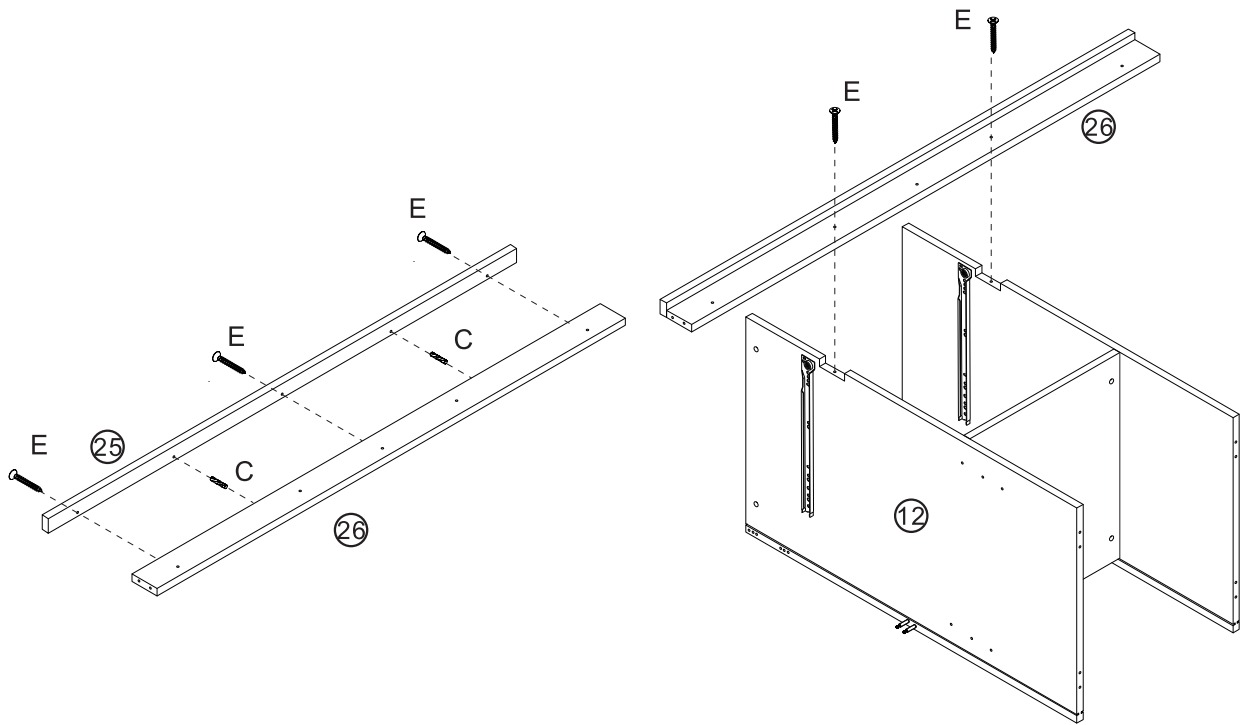
06



Cx2



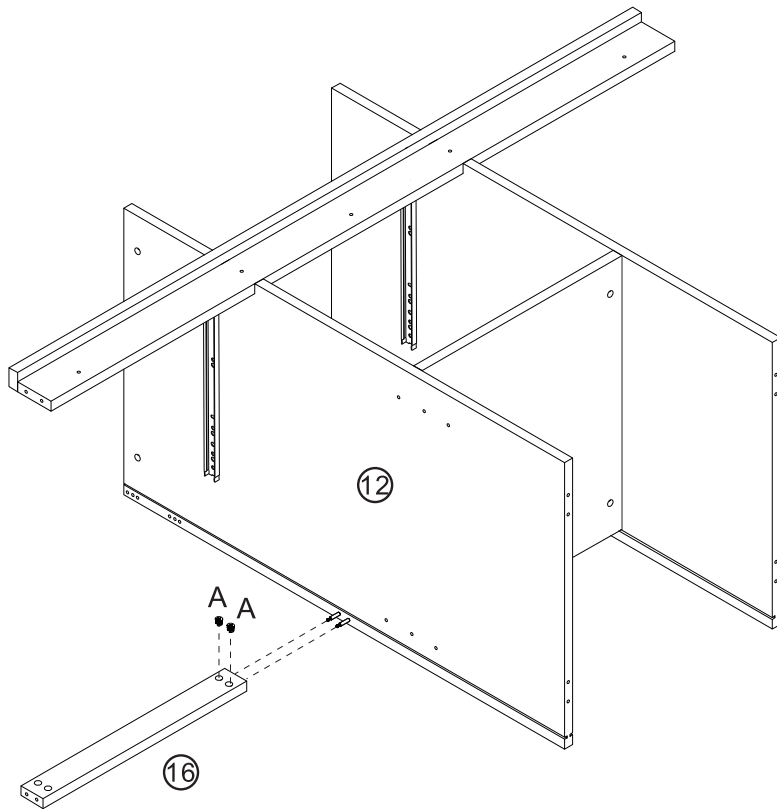
Ex5



07



Ax2



08



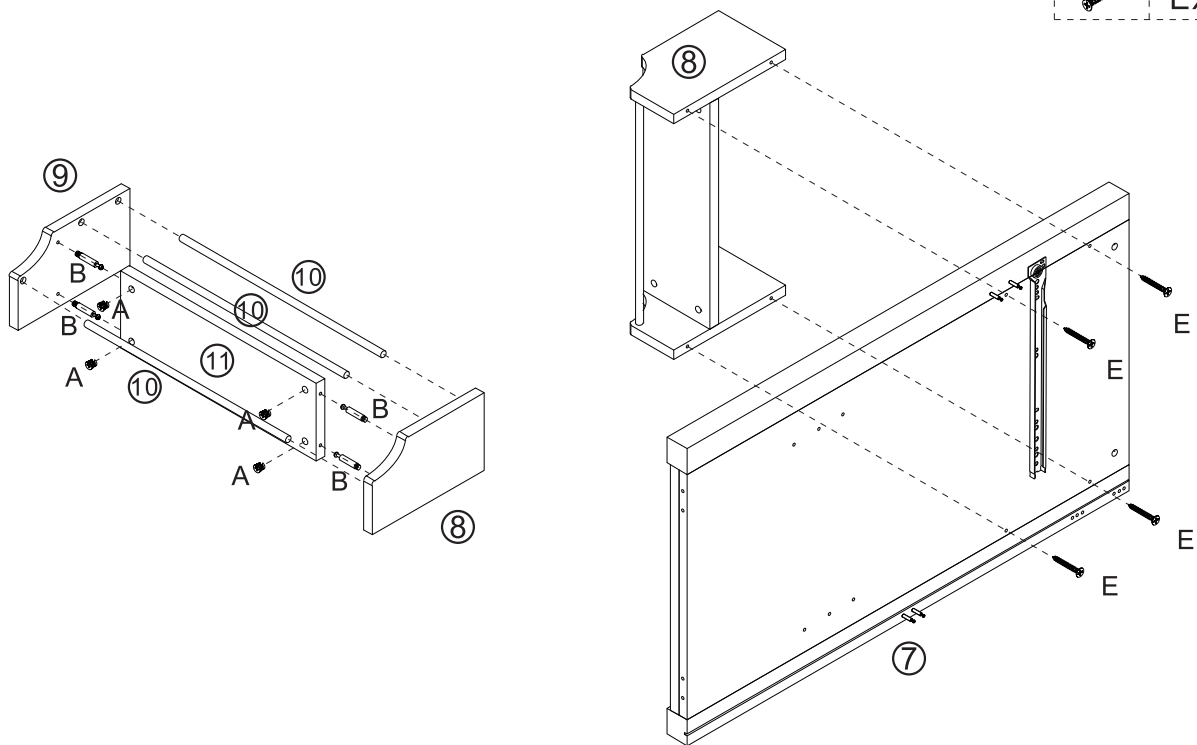
Ax4



Bx4



Ex4

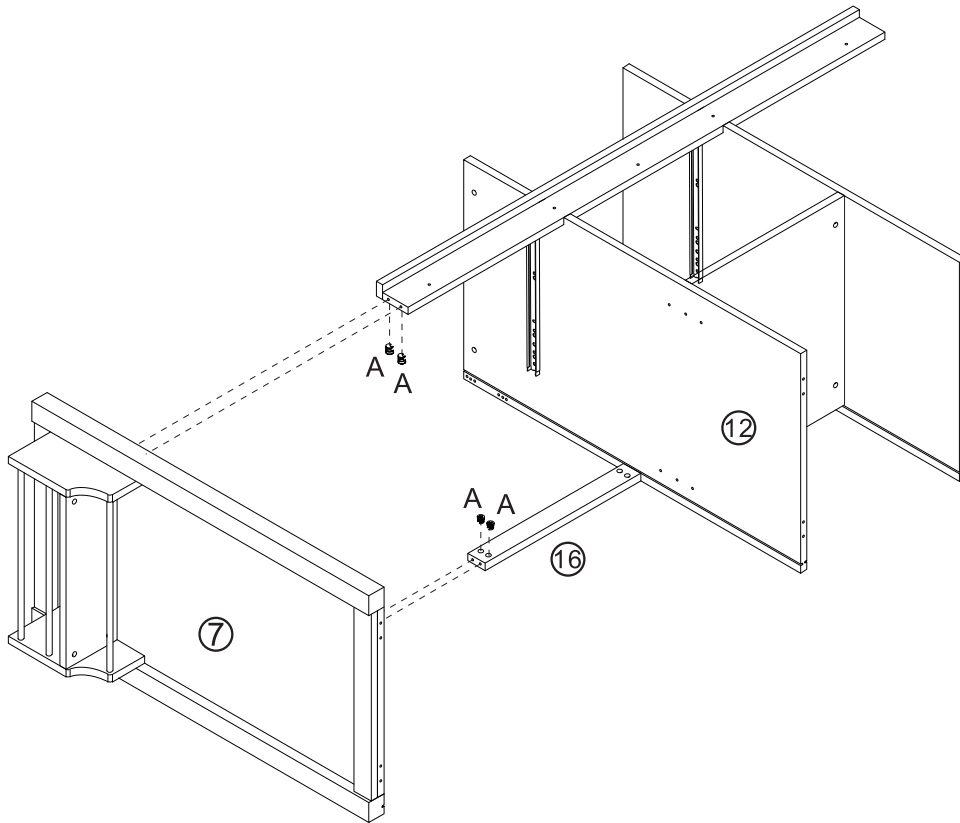


STEP

09



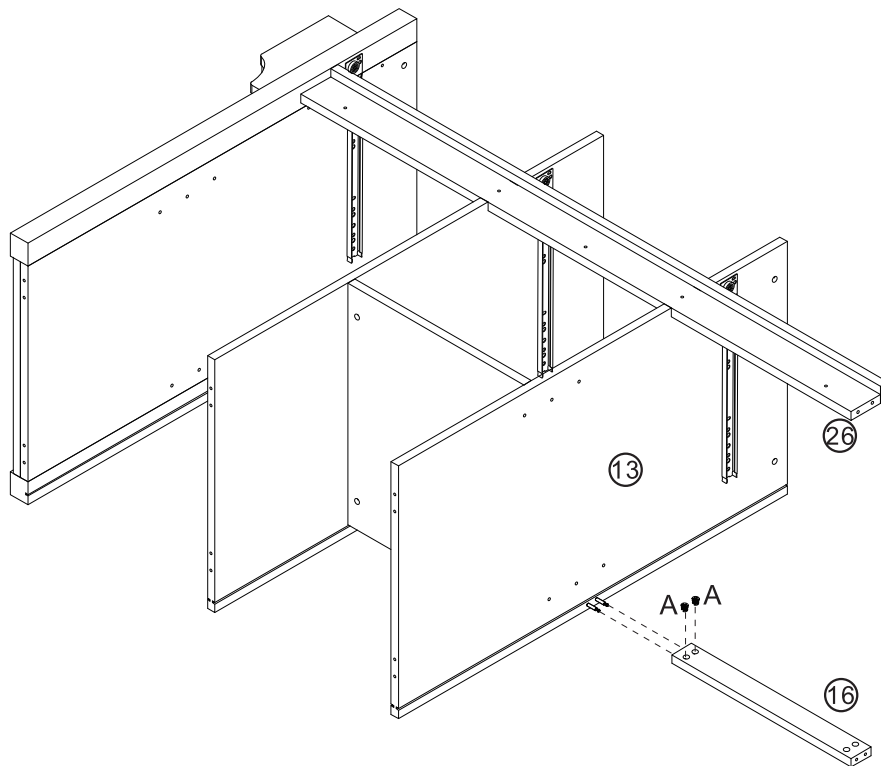
Ax4



10



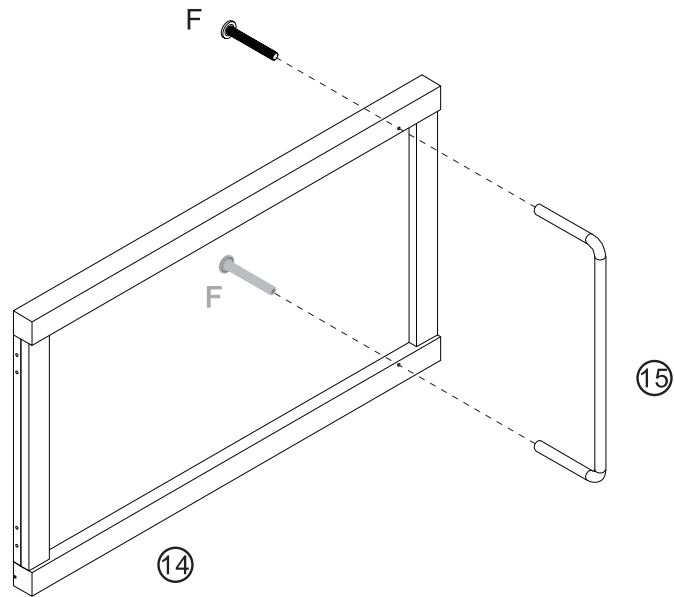
Ax2




STEP

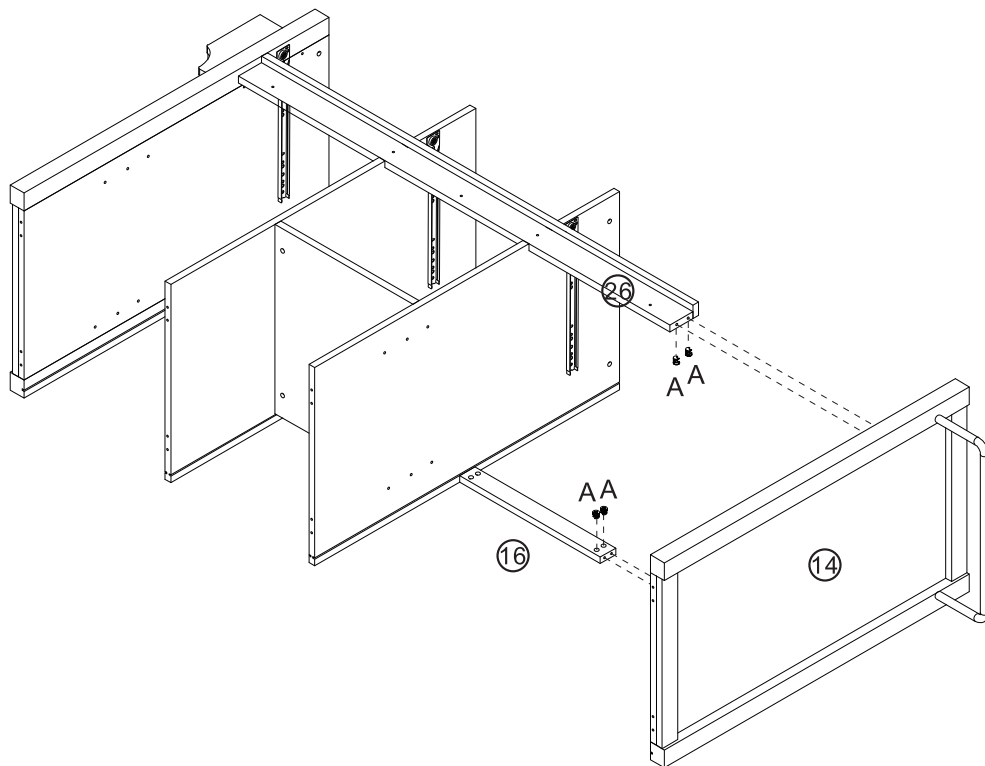
11

 Fx2



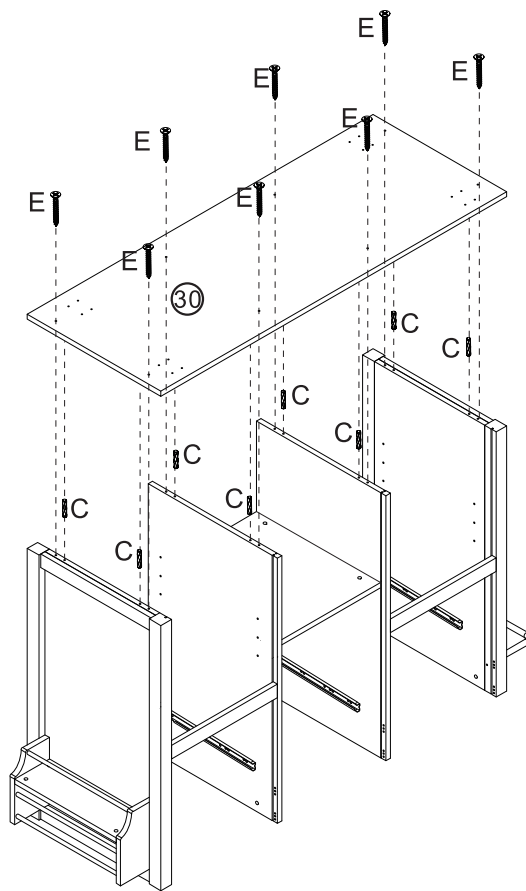
12

 Ax4



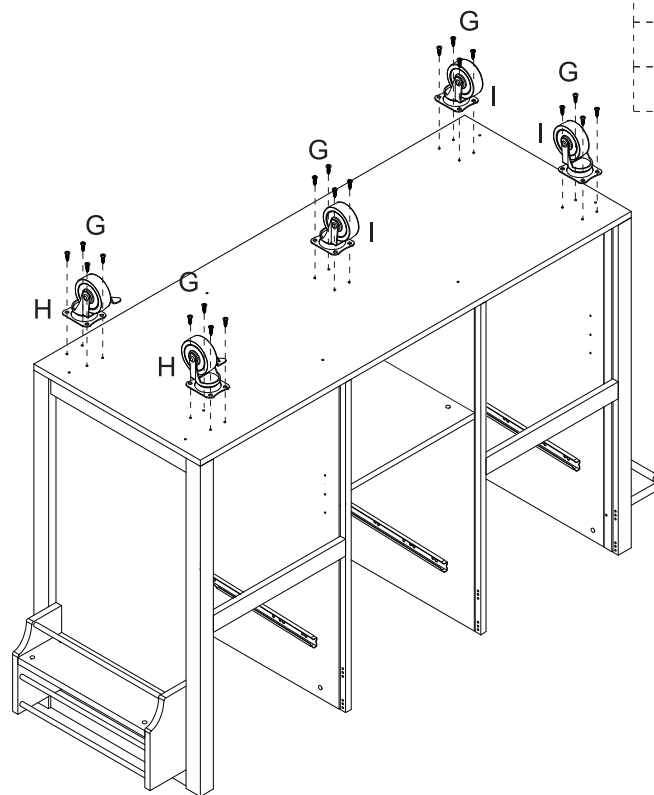
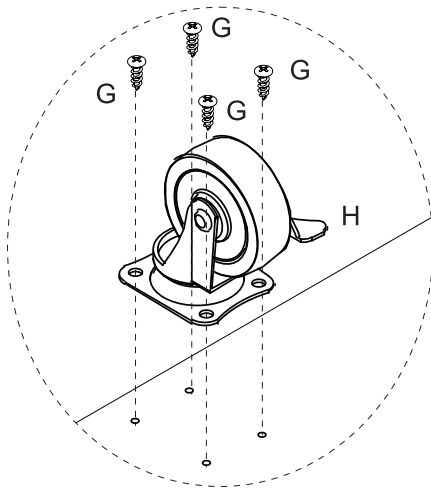
STEP

13



	Cx8
	Ex8

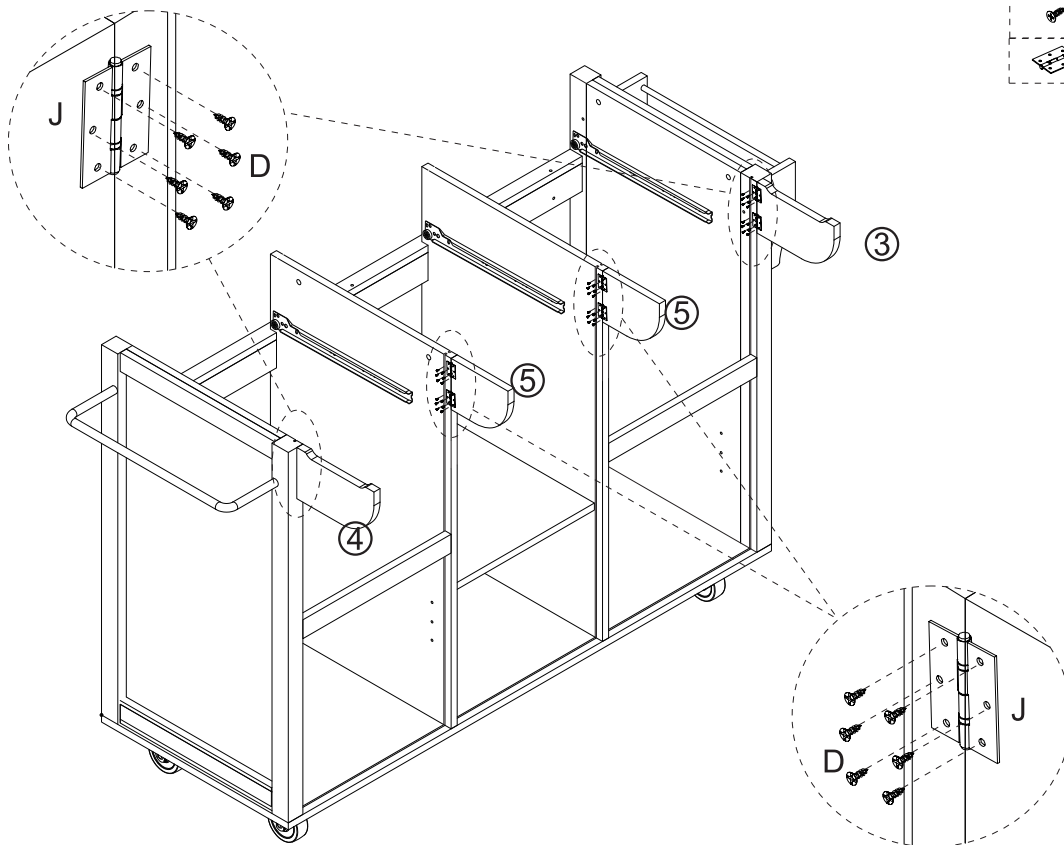
14



	Gx20
	Hx2
	Ix3

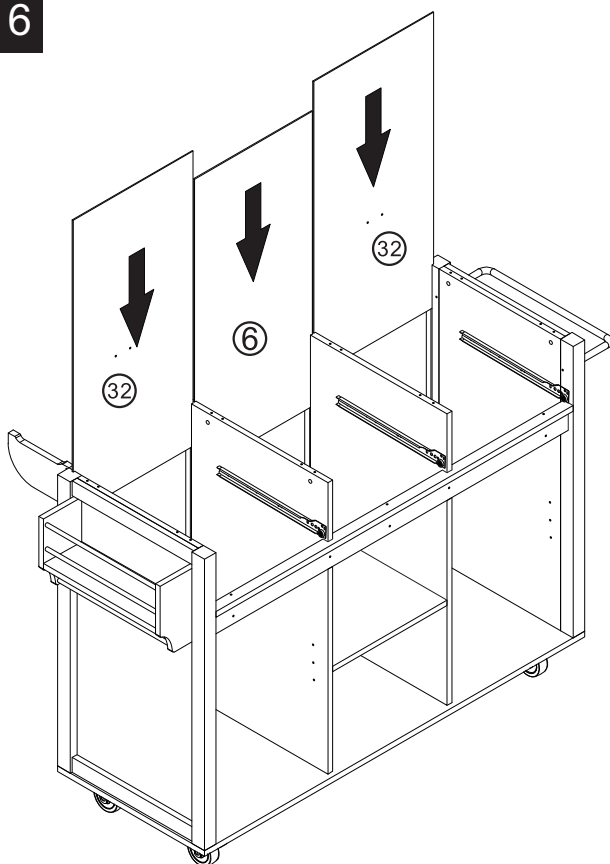
STEP

15

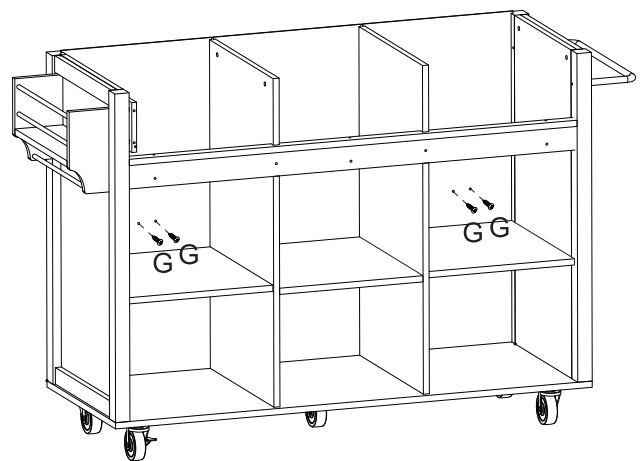


Dx48
Jx8

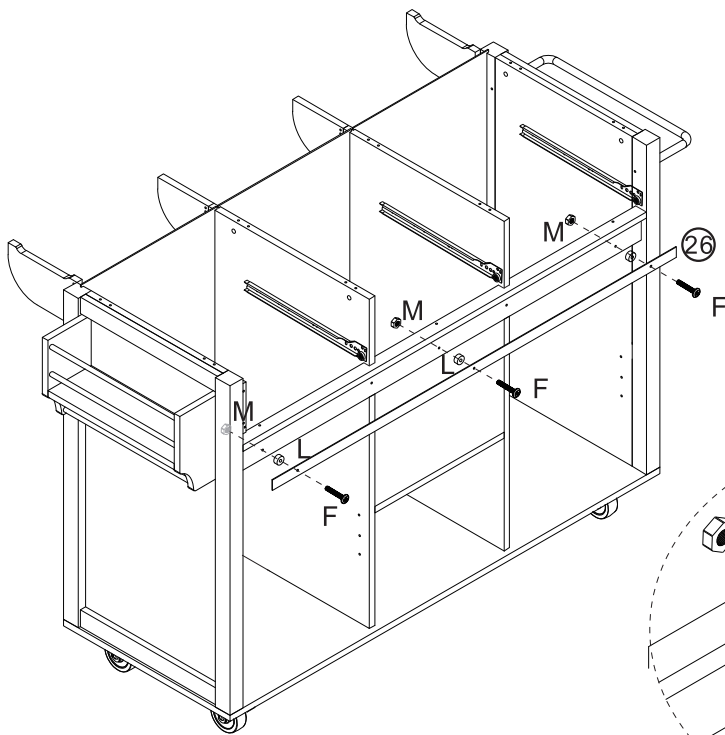
16



Gx4

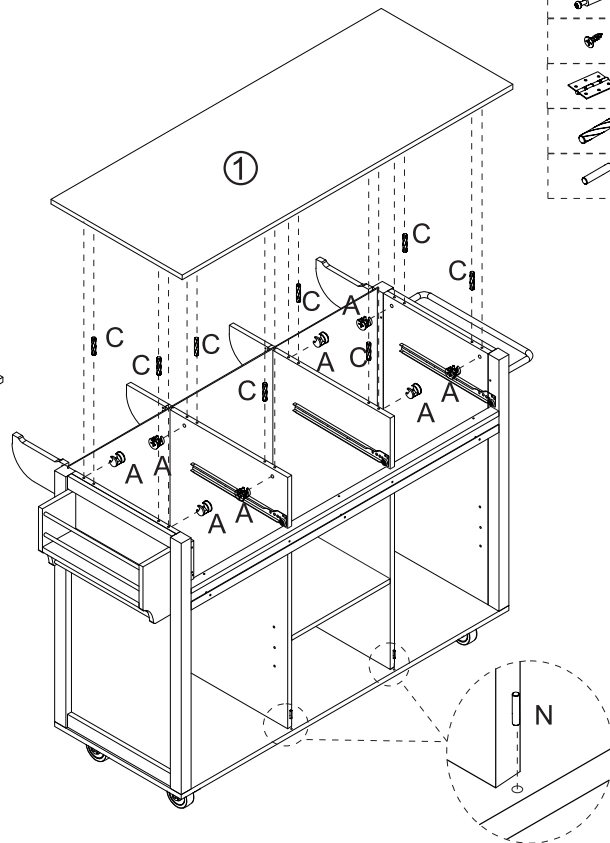
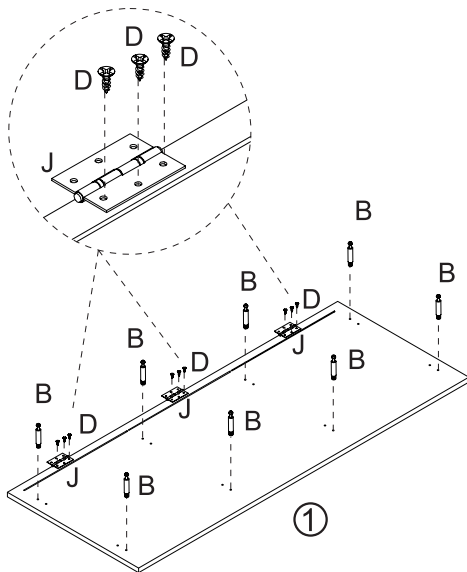


17



	Fx3
	Lx3
	Mx3

18

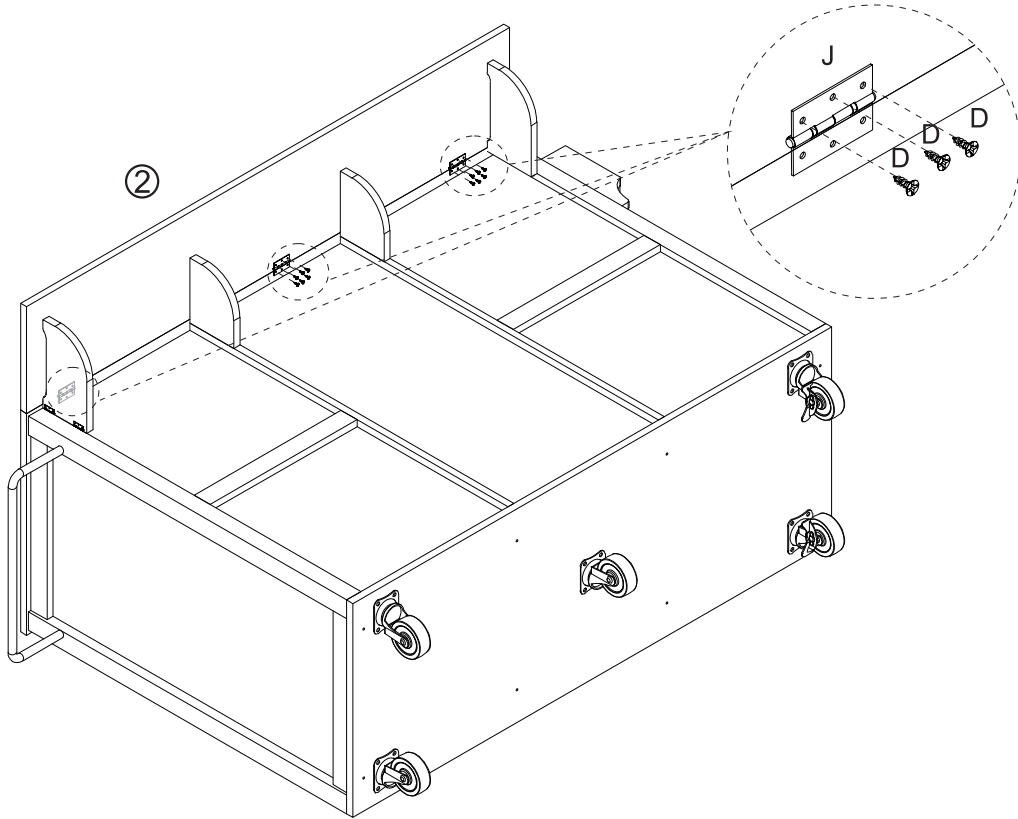


	Ax8
	Bx8
	Dx9
	Jx3
	Cx8
	Nx2

STEP

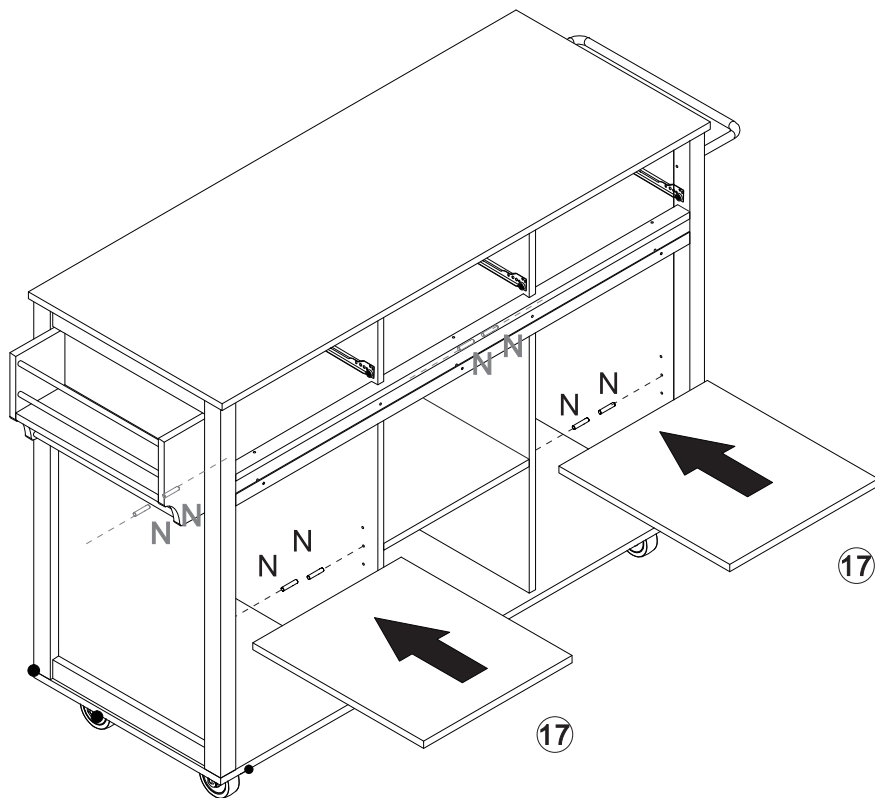
19

Dx9

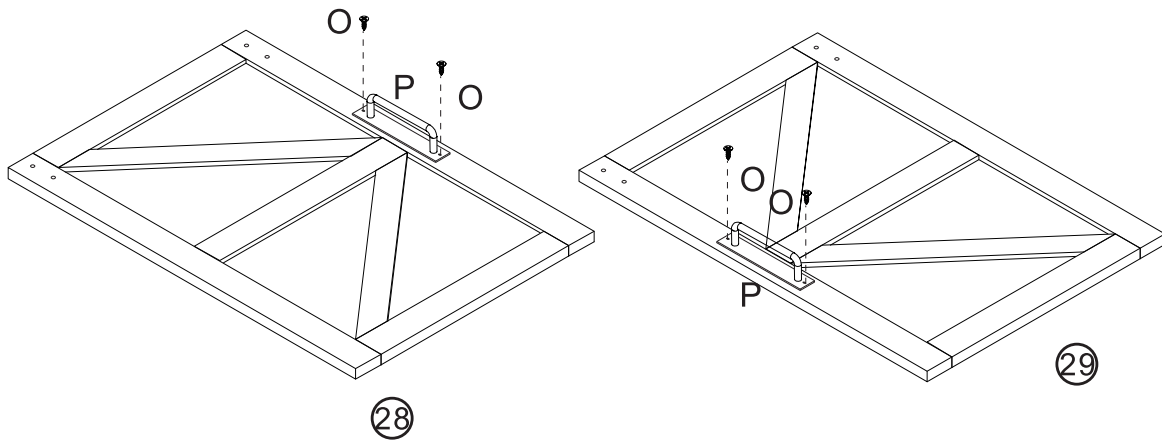
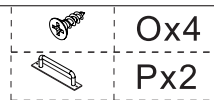


20

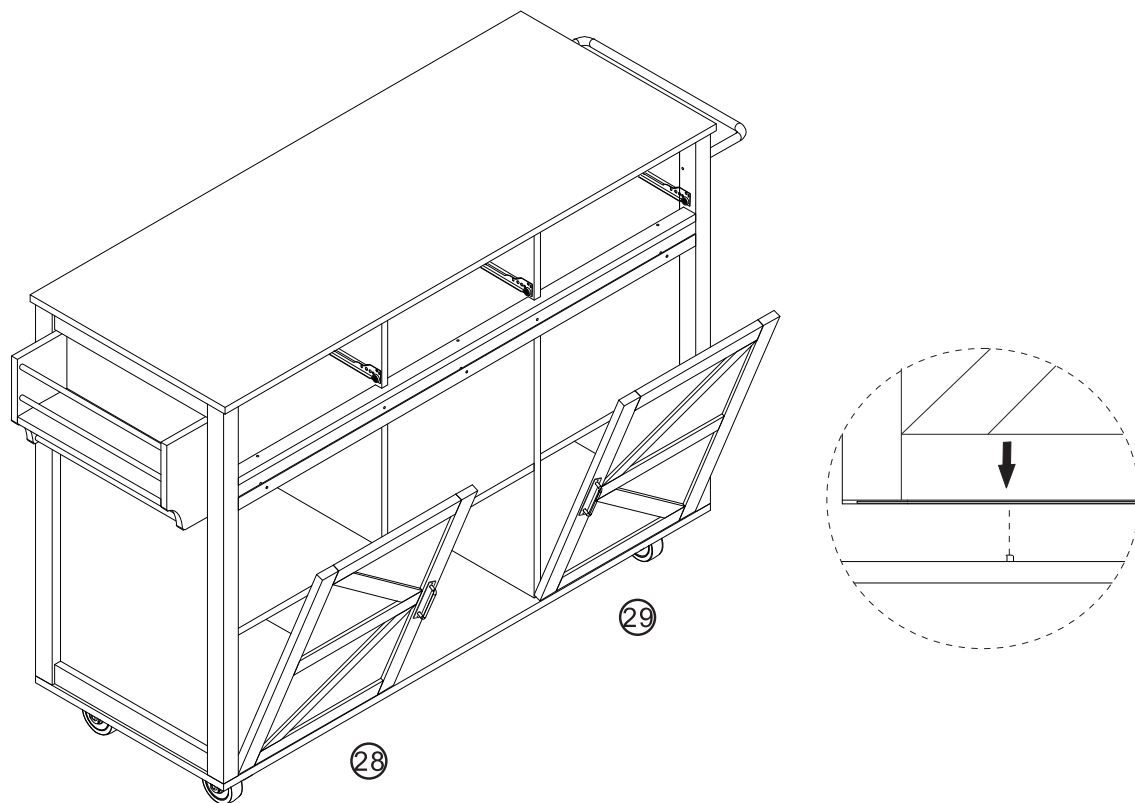
Nx8



21



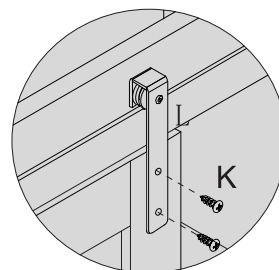
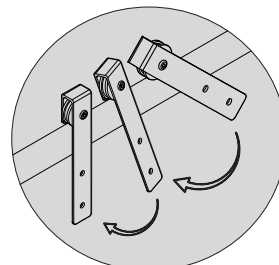
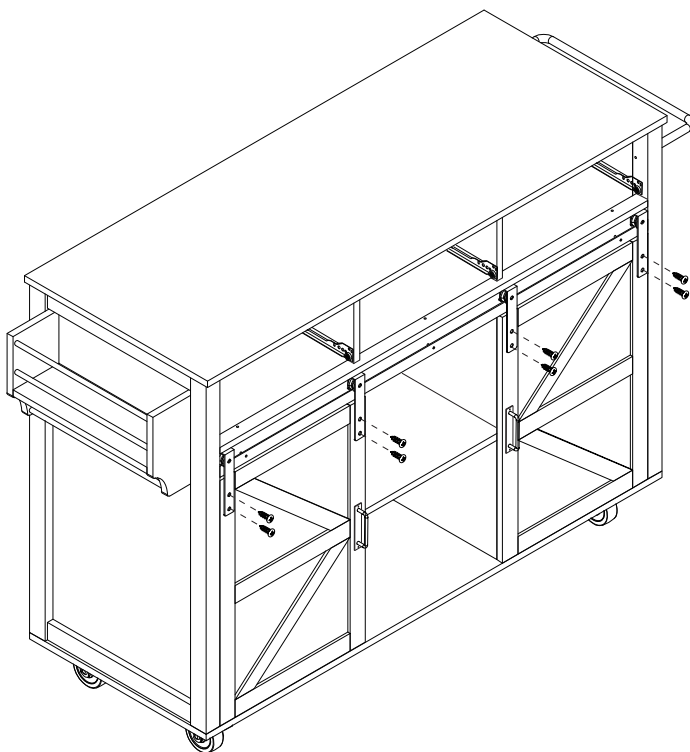
22



STEP

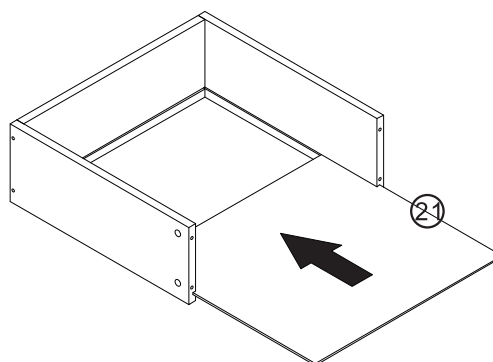
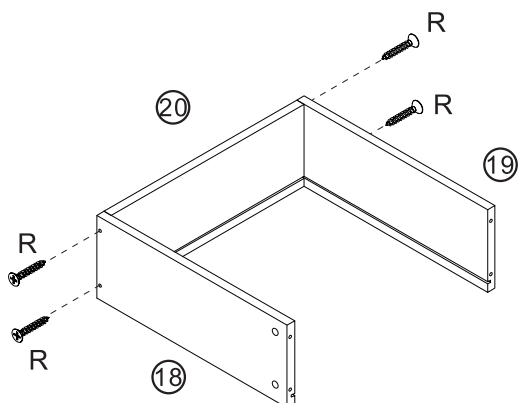
23

Kx8
Qx4




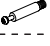


24

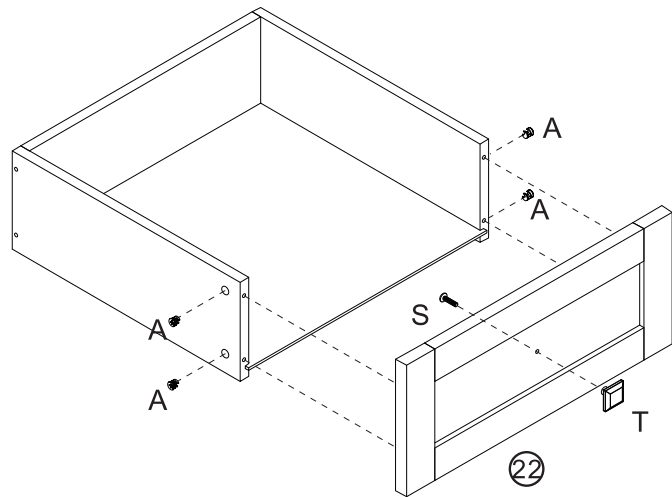
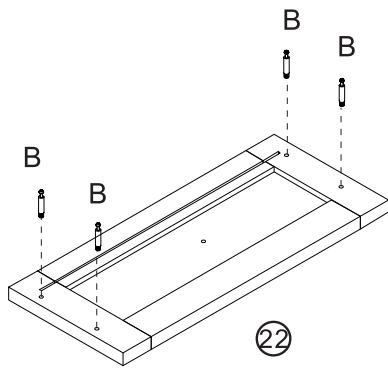
Rx12




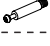


x3

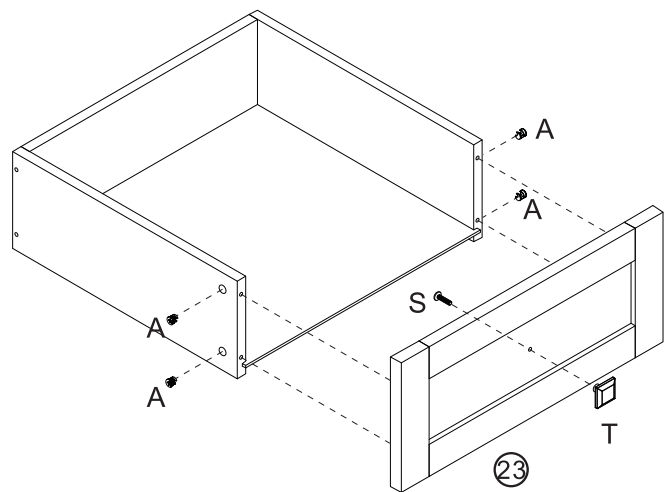
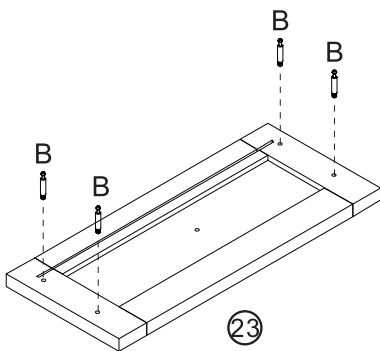
25

	Ax4
	Bx4
	Sx1
	Tx1







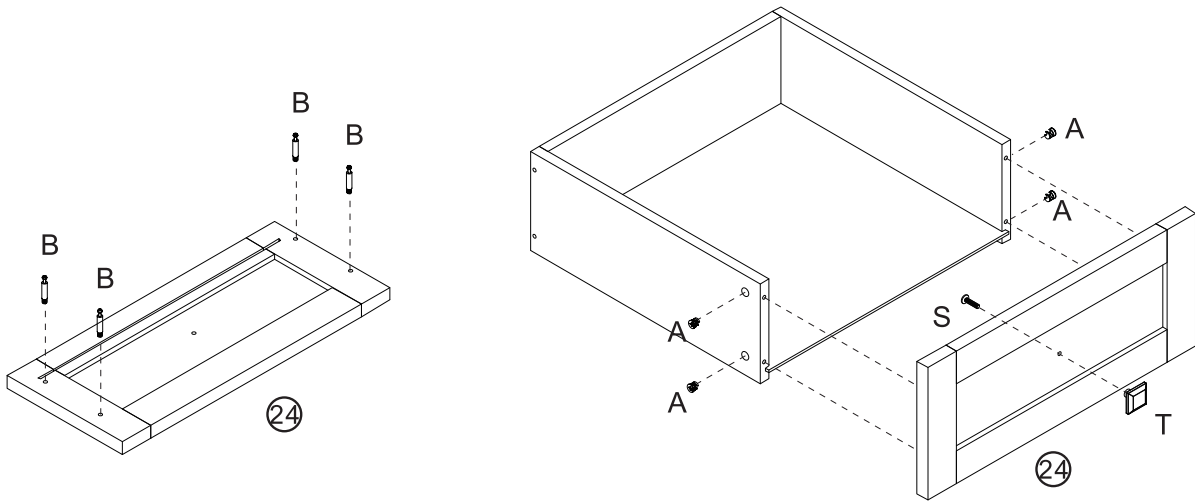
26

	Ax4
	Bx4
	Sx1
	Tx1



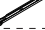


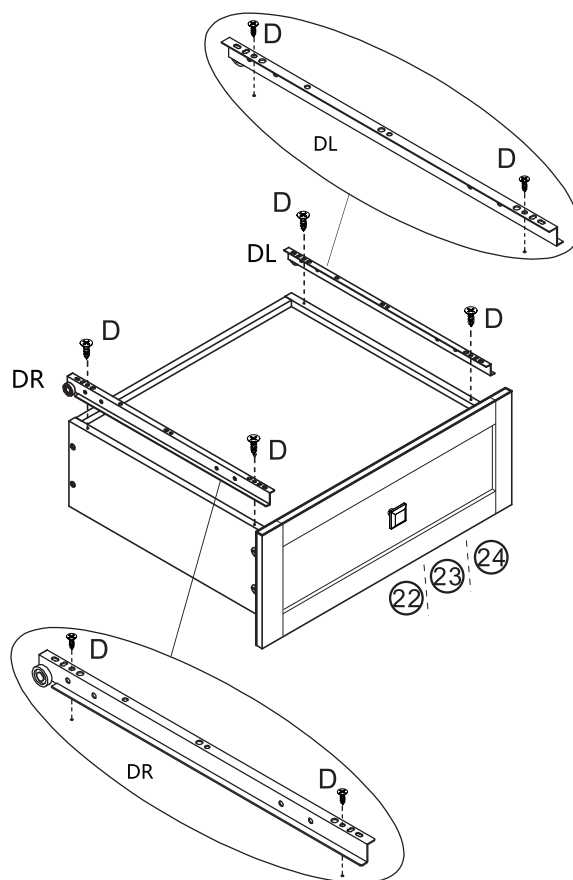
27

	Ax4
	Bx4
	Sx1
	Tx1



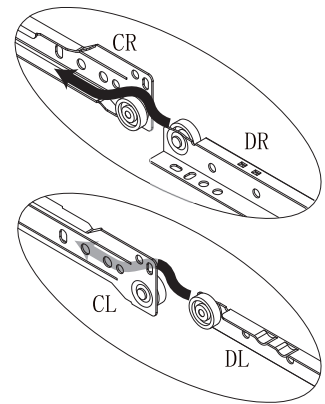
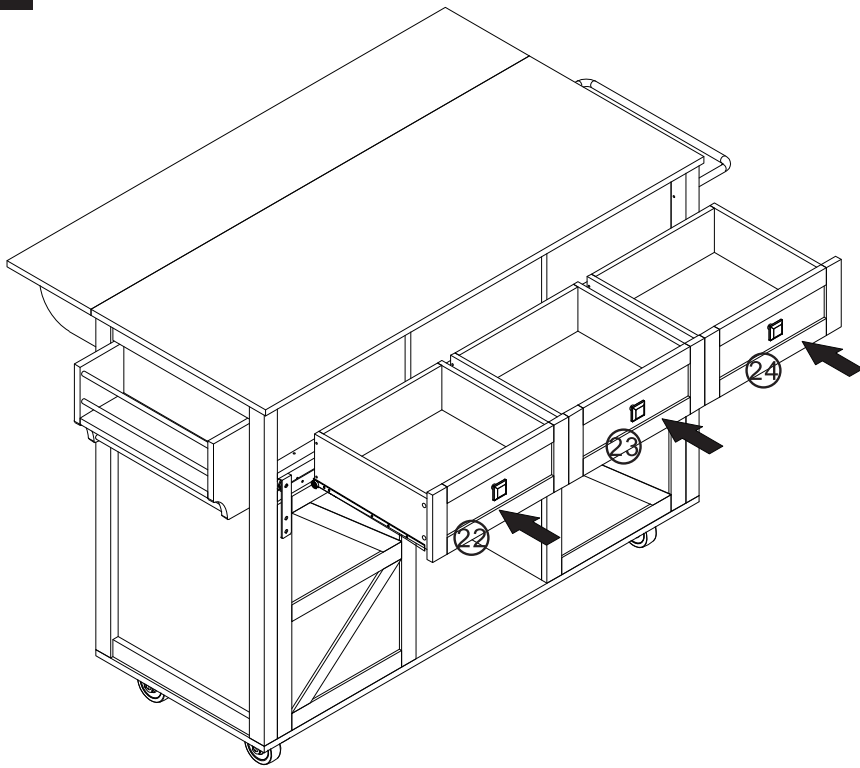
28

	Dx12
	DLx3
	DRx3



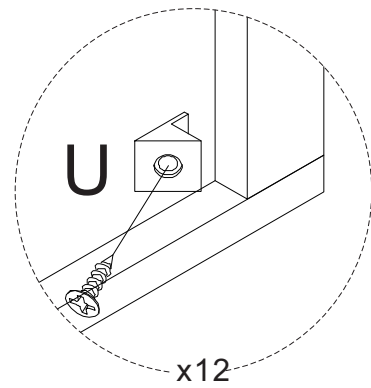
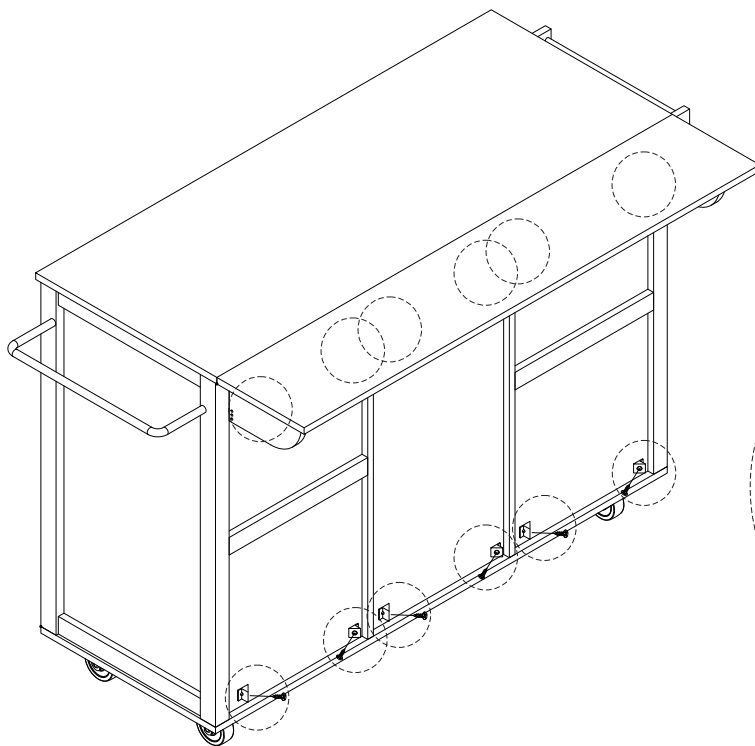
x3

29



30

  Ux12



AFTER-SALE SERVICE

If you have any suggestions for our products or notice any quality issues, please contact us first. Our after-sales team will respond within 24 hours and will do everything possible to provide you with a satisfactory solution.

Guaranteed Customer Service

Your shopping experience is very important to us!

Feel unsatisfied? **Contact us!**

Have any questions? **Contact us!**

Wanna Share how wonderful our smart products make your home?

Share your pictures with us.

Any suggestions? **Contact us!**

We will check and give feedback.



Homefurnitureserviceteam@outlook.com

