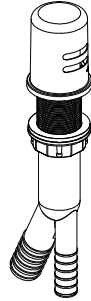


Design House is a registered brand of DHI Corp.

Mequon, WI 53092  
1-800-558-8700

## AIR GAP

Models 522946, 522953, 522961, 522979



Your new Design House faucet will give you years of trouble free performance. Thank you for choosing our product for your home. **Please read all of these instructions carefully before installing your new faucet.**

### Helpful tools to install this faucet:

- basin wrench
- Teflon tape
- (2) crescent wrenches
- silicon sealer
- flashlight
- faucet supply tubes

### IMPORTANT POINTS

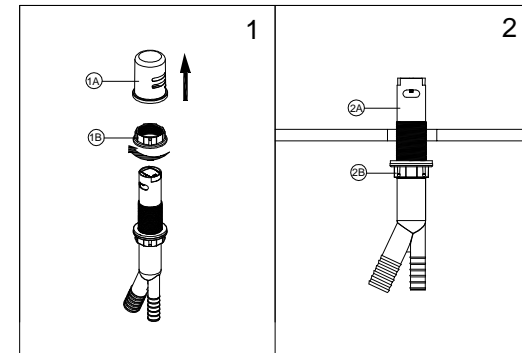
- When installing your new faucet, hand tighten the connector nuts, then use one wrench to anchor the fitting and a second wrench to tighten the nut one additional turn. Connections that are too tight will reduce the integrity of the system.

### SAFETY TIPS

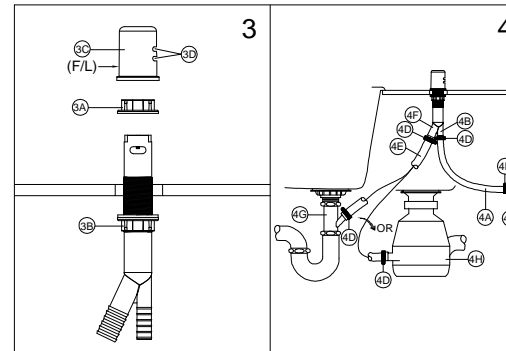
- **ALWAYS** protect your eyes with safety glasses.

## INSTALLATION PROCEDURE

1. Remove cap (1A) and ribbed nut (1B).



2. Insert air gap (2A) through sink deck hole, leaving approximately 1/2 " of the body threads showing above sink deck. (Back the nut (2B) down if necessary).



3. Thread ribbed nut (3A) fully onto body. Tighten nut (3B) firmly. Snap cap (3C) onto ribbed nut, with the slotted vents (3D) facing the wall.

Note: Air gap to be installed that the flood level mark (F/L) shall be at or above the flood level of the sink or other receptacle which may be connected to the sanitary drain into which the air gap discharges.

4. Connect dishwasher outlet hose (5/8 " I.D.) (4A) to air gap inlet (smaller diameter leg) (4B) and to dishwasher outlet (4C) using hose clamps (4D). Connect drain hose (7/8 " I.D.) (4E) to air gap outlet (larger dimension leg) (4F) and to "Y" fitting (4G) or disposer (4H) using hose clamps. (4A, 4C, 4D, 4E, 4G, 4H are not included).

## MAINTENANCE

Your new Design House faucet is designed to give you years of trouble free performance. Keep it looking new by cleaning it periodically with a soft cloth. Avoid abrasive cleaners, steel wool and harsh chemicals that will dull the finish and void your warranty

Brass finishes are polished, then protected with a lacquer coating to help prevent tarnishing. Clean these surfaces only with a damp, soft cloth.

### CONSUMER PROTECTION WARNING

Under the Safe Drinking Water Act, the U.S. Environmental Protection Agency restricts the amount of lead used in brass and solder. Your new faucet is made in strict compliance with all government standards. The materials used in the manufacture of this faucet are of industry standard quality and are similar to other plumbing products having brass fittings.

To reduce the amount of lead in your drinking water, allow the water to run for a moment before filling your glass and remember to always use cold water for drinking purposes.