

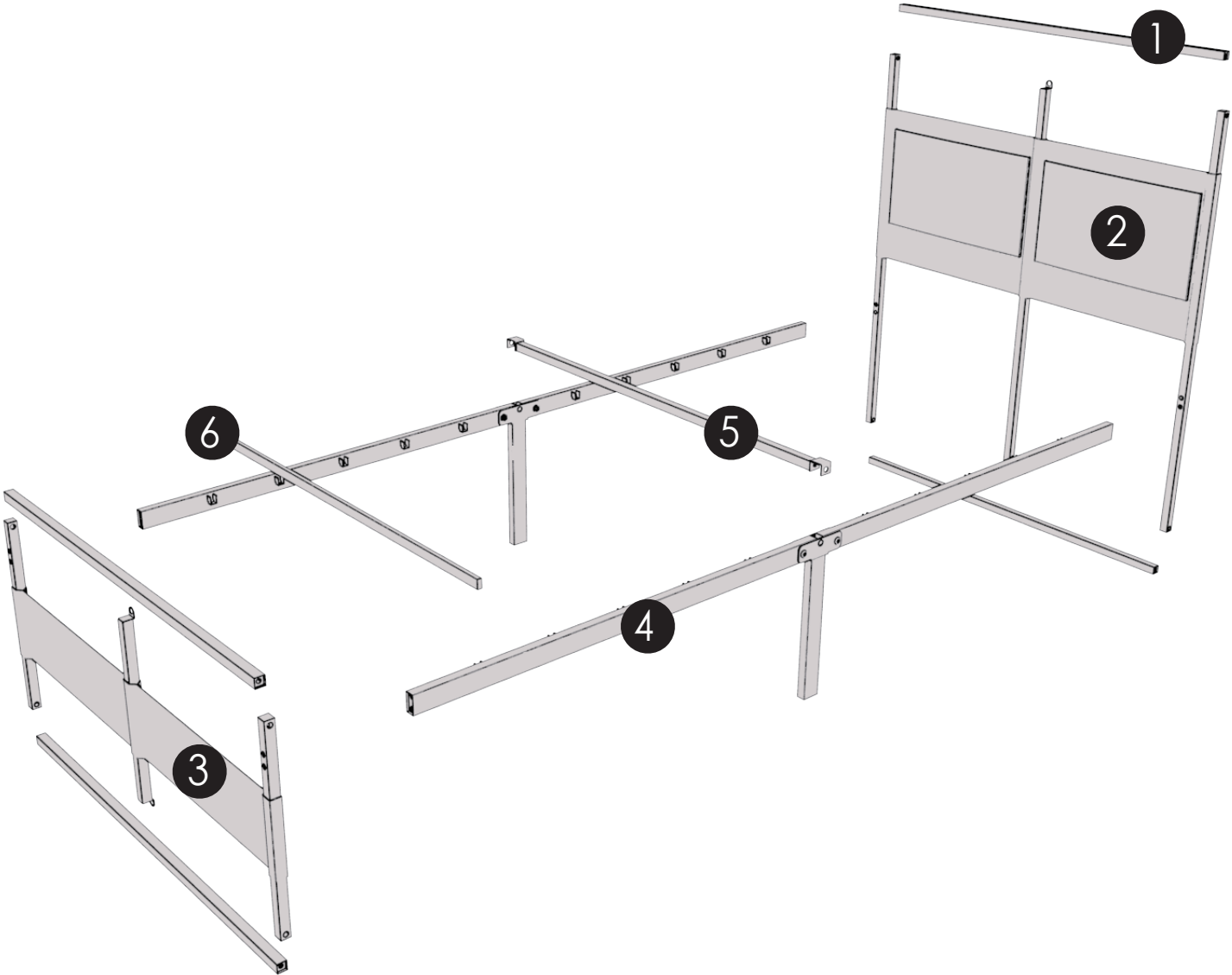
# Metal Platform Bed

with Fabric Headboard 01

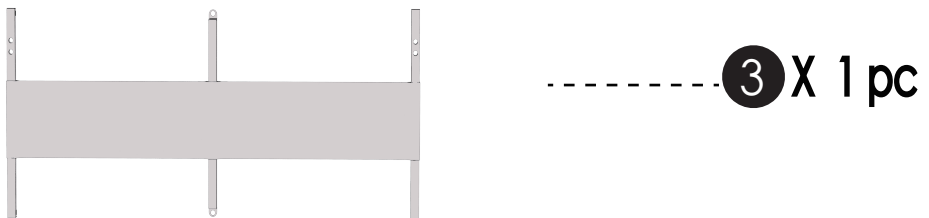
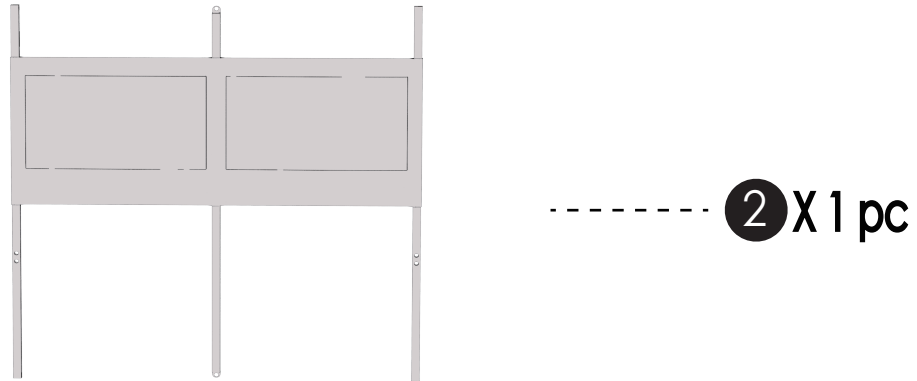


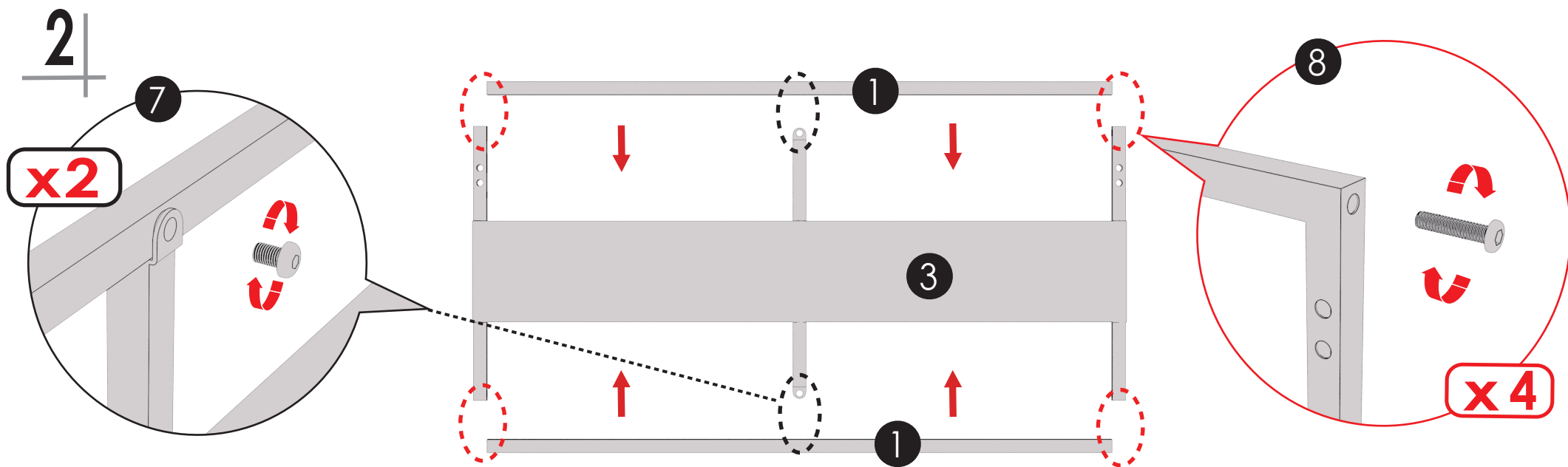
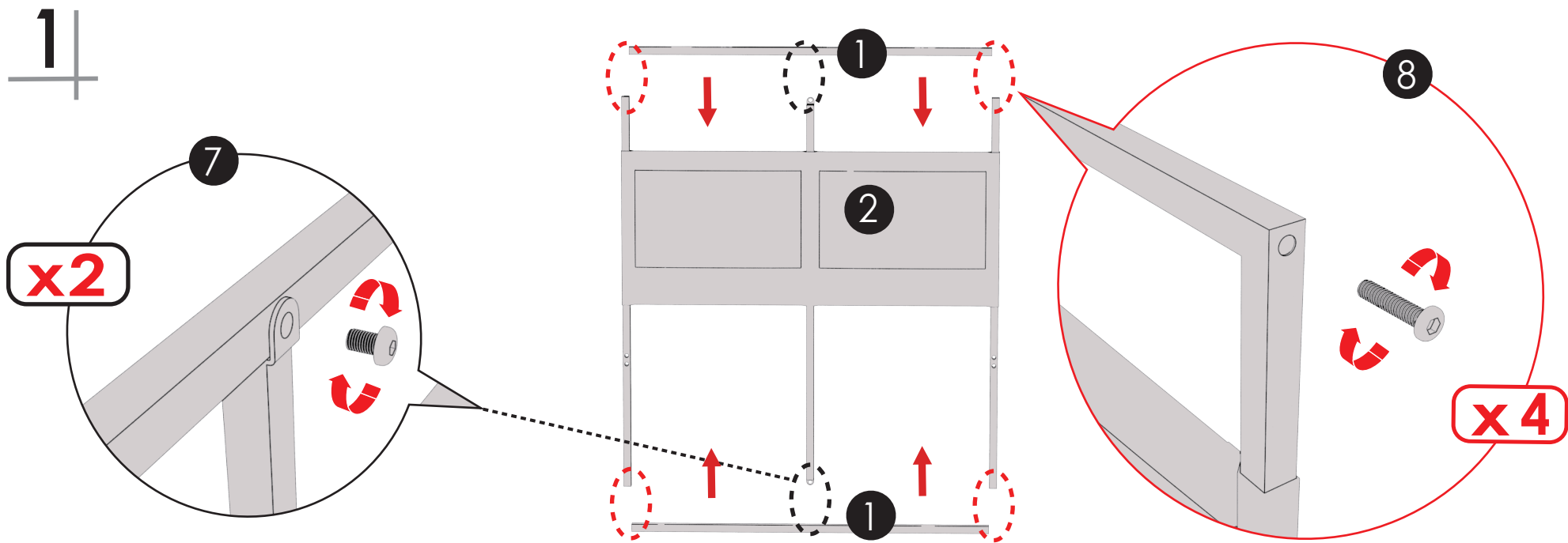
TWIN

# ASSEMBLY INSTRUCTIONS

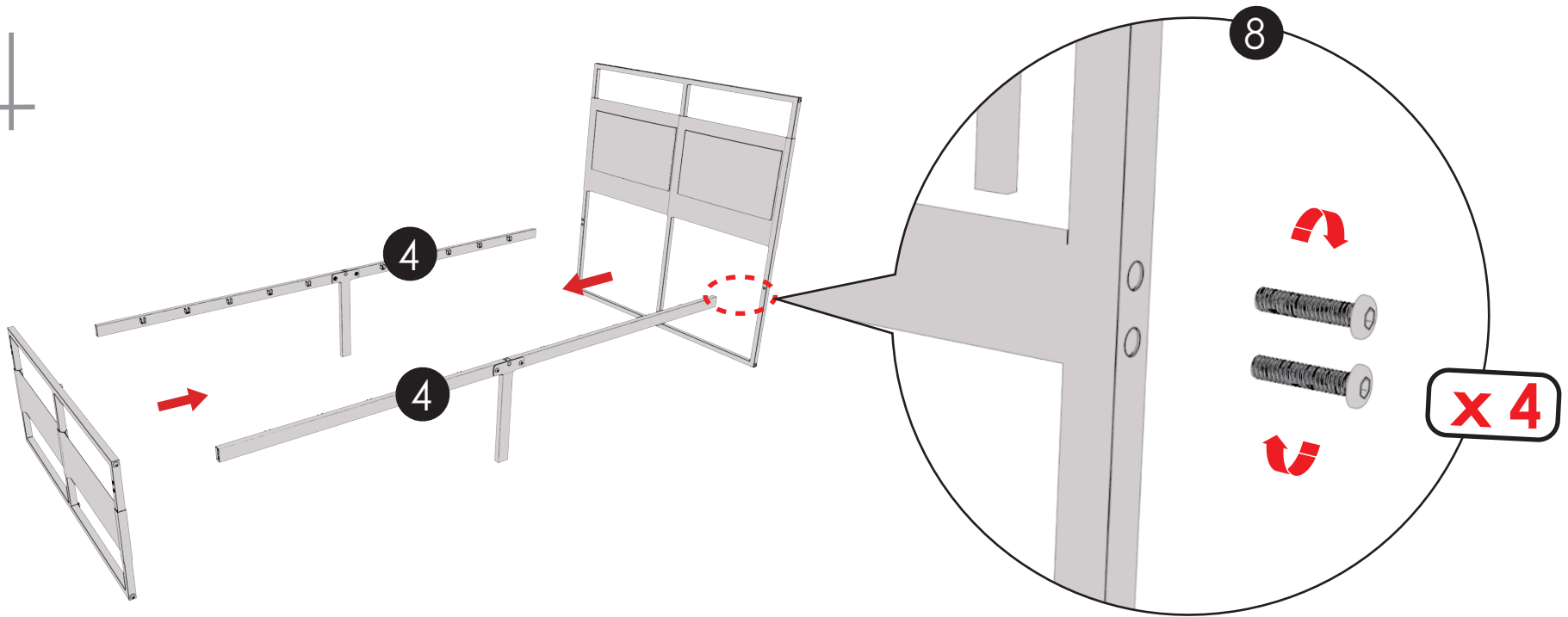


# Components

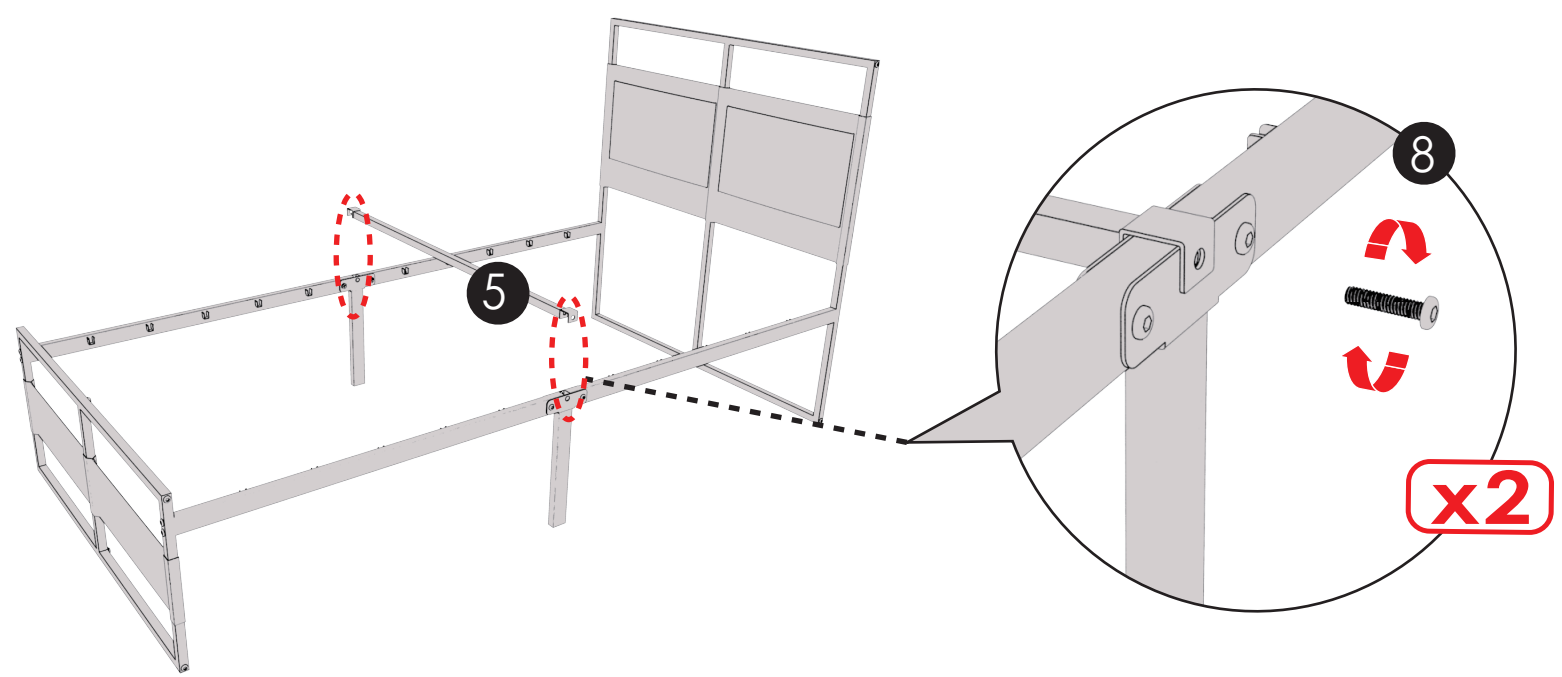




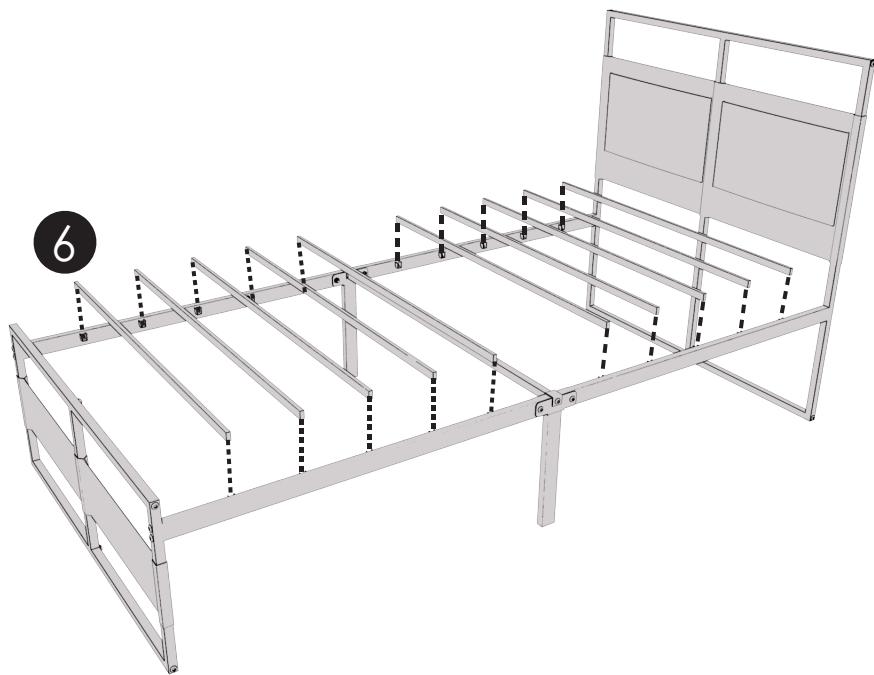
3



4



5 |



# Warranty

## 1. WHAT IS COVERED

This warranty covers any defects in materials or workmanship, with the exceptions stated below.

## 2. WHAT IS NOT COVERED

The warranty applies only to the original purchaser and does not cover: (a) wear and tear; (b) improper maintenance, misuse, or alteration; (c) repair by unauthorized representatives; (d) damage resulting from transit or handling; or (e) transportation costs.

## 3. HOW LONG COVERAGE LASTS

This warranty runs for five (5) years from the date of purchase.

## 4. WHAT WE WILL DO

At our sole discretion we will repair, replace, or refund any product that proves to be defective in materials or workmanship.

## 5. HOW TO GET SERVICE

1-877-475-7768  
csr@mlilyusa.com  
www.mlilyusa.com

## 6. HOW STATE LAW APPLIES

This warranty gives you specific legal rights, and you may also have other rights which vary from state to state.



### WARNING

Remove mattress and all other objects while moving the assembled unit.



### CHOKING HAZARD

Small Parts.  
Not intended for children.



### PREVENT HAND INJURIES

Please use caution when assembling. Avoid placing fingers between frame structure while unfolding.

The foregoing warranty shall be exclusive and in lieu of any other warranty, express or implied, including warranties of merchantability and fitness for a particular purpose and all other warranties otherwise arising by operation of law, course of dealing, custom, trade, or otherwise. Neither the seller nor the manufacturer shall be liable for any injury, loss or damage, direct or consequential arising out of the use or inability to use this product.