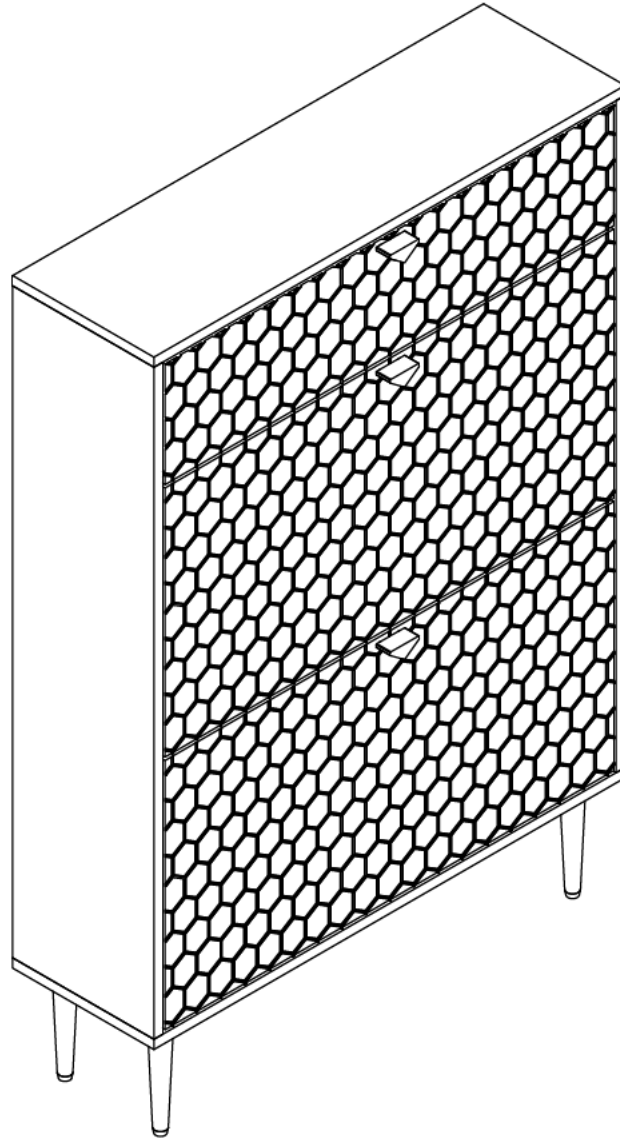
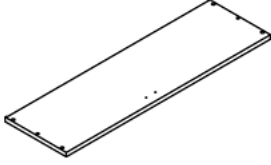
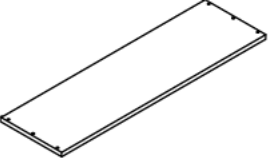
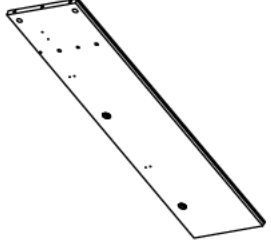
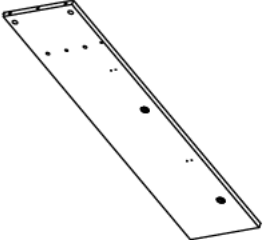
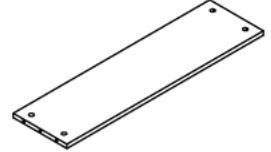
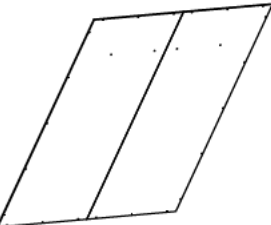


ASSEMBLY INSTRUCTIONS

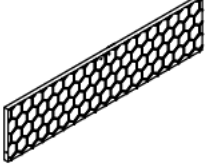
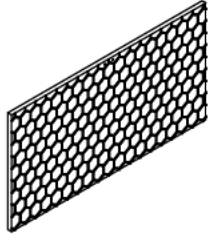
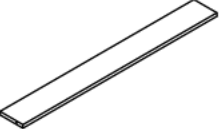

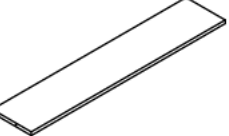



ASSEMBLY INSTRUCTIONS

Part List:







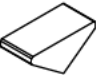






ITEM	DESCRIPTION	PART	QTY
1	Top panel		1
2	Bottom panel		1
3	Left side panel		1
4	Right side panel		1
5	Shelf		1
6	Back panel		1

Part List:














ITEM	DESCRIPTION	PART	QTY
7	Upper door panel		1
8	Lower door panel		2
9	Bottom lamination		2
10	Back lamination		2
11	Middle lamination		2
12	Leg		4

ASSEMBLY INSTRUCTION

Hardware List:

ITEM	DESCRIPTION	PART	QTY
A	Camlock bolt		8
B	Camlock		8
C	Wooden dowel	 Φ8*30mm	6
D	Bolt	 Φ1/4"*1 1/8"	4
E	Bolt	 Φ1/4"*1/2"	16
F	Allen wrench		1
G	Handle		3
H	Machine screw	 Φ5/32"*3/4"	6
I	Magnet		1
J	Wood screw	 Φ3*15mm	34
K	Wood screw	 Φ3*12mm	6
L	Left bracket		2
M	Right bracket		2

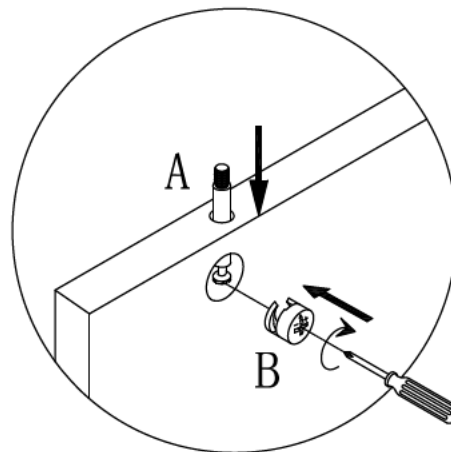
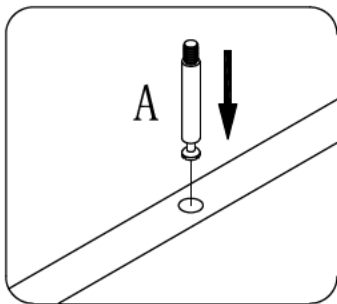
Hardware List:

ITEM	DESCRIPTION	PART	QTY
N	Screw button		4
O	Screw	 Φ4*10mm	4
P	Stopper		4
Q	Safety hinge		1
R	Left hinge		1
S	Right hinge		1
T	Back screw	 Φ3*12mm	26
U	Safety wall strap		2
V	Plastic anchor		2
W	Mounting screw	 Φ4*38mm	2
X	Washer		2
Y	Wood screw	 Φ3*12mm	4
Z	Wood screw	 Φ3*19mm	8

ASSEMBLY INSTRUCTION

- * Required screwdriver & mallet, not included.
- * Before discarding packing materials, please check to make sure that all parts and hardware is present.
- * Two people needed for assembly.
- * Please follow the instructions closely; do not over tighten screws or bolts unless instructed.
- * After a few days from initial assembly, the product may have acclimated to the new environment. Please retighten the hardware.

Guideline For Assembling of Cam Lock(A & B)

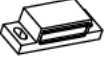



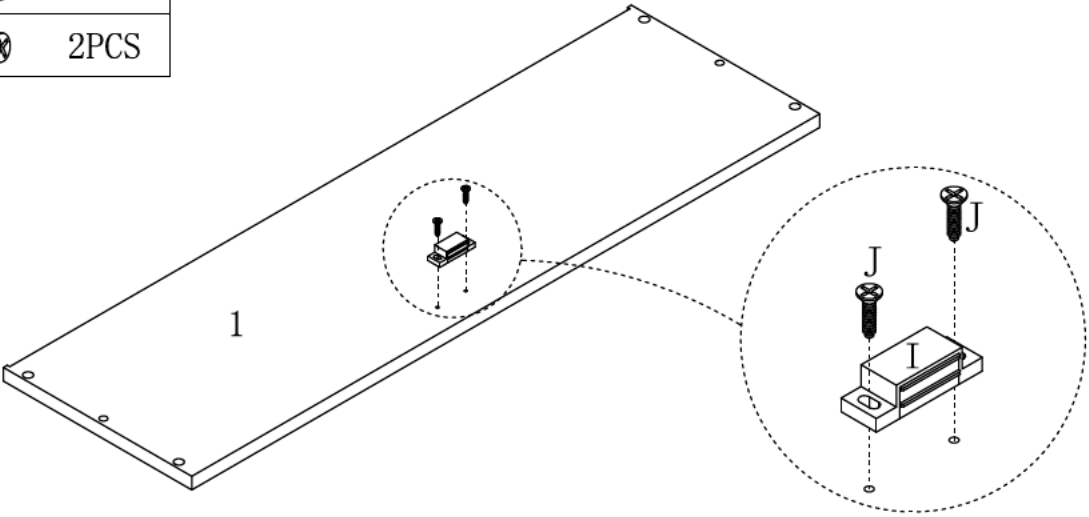
Screw camlock bolt (A) to wood part.

Do not assemble camlock (B) unless instructed.

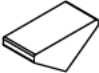

To assemble camlock (B), ensure long side of the + is facing the bolt (A) before inserting into hole.

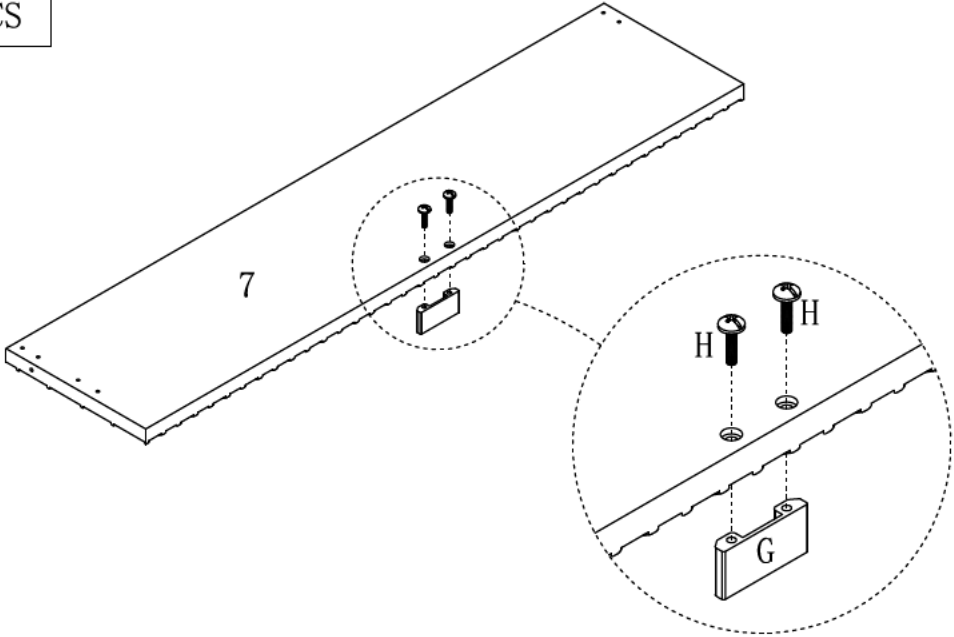
STEP 1

I:		1PC
J:		2PCS



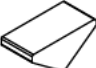




STEP 2

G:		1PC
H:		2PCS

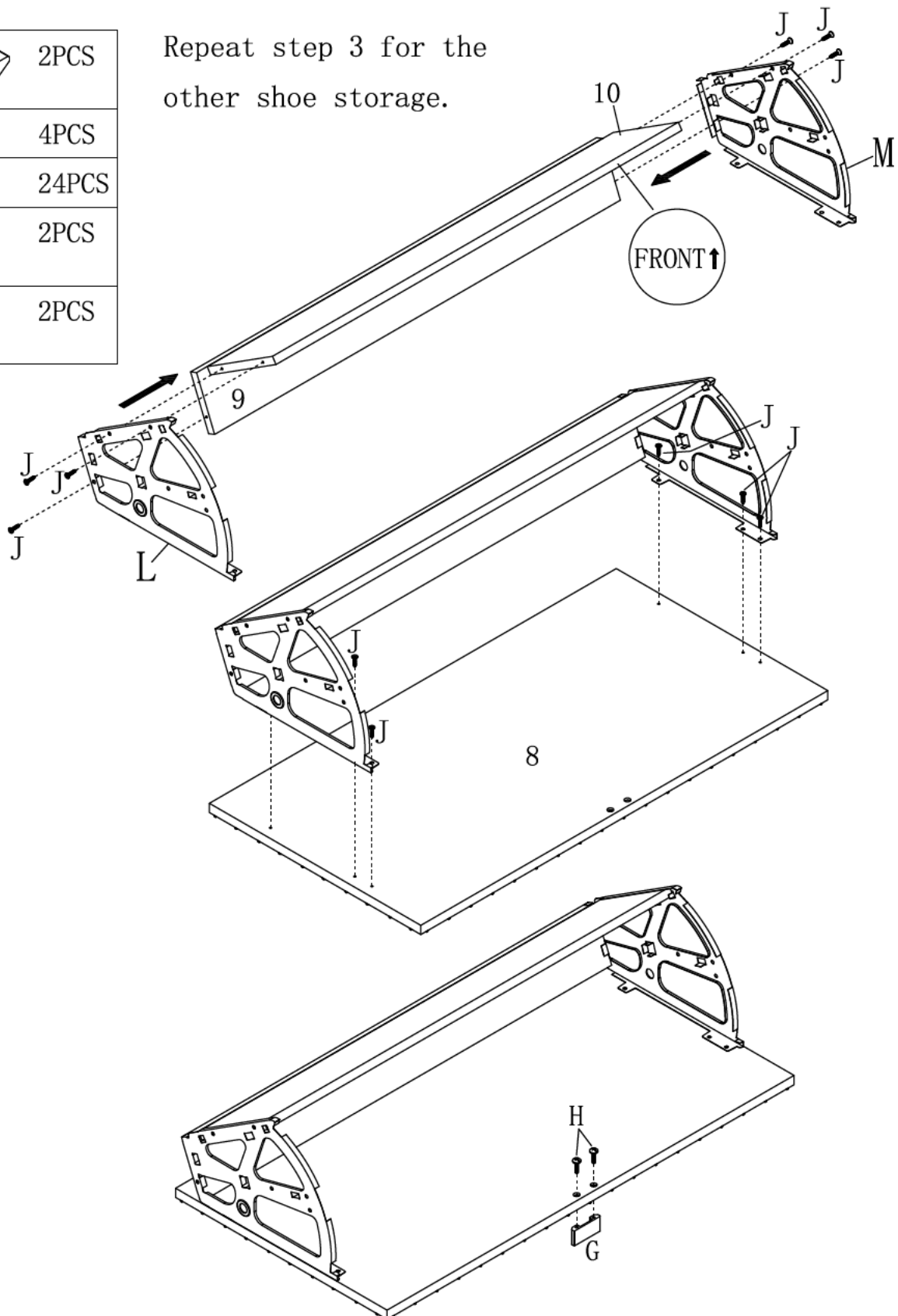


ASSEMBLY INSTRUCTION

STEP 3




G:		2PCS
H:		4PCS
J:		24PCS
L:		2PCS
M:		2PCS

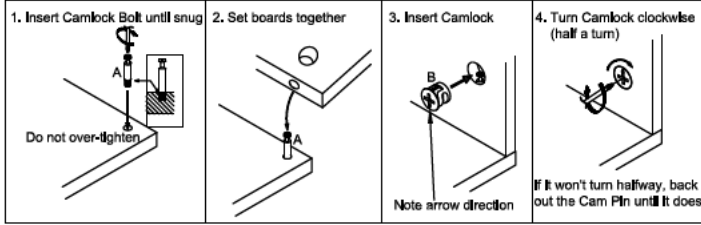
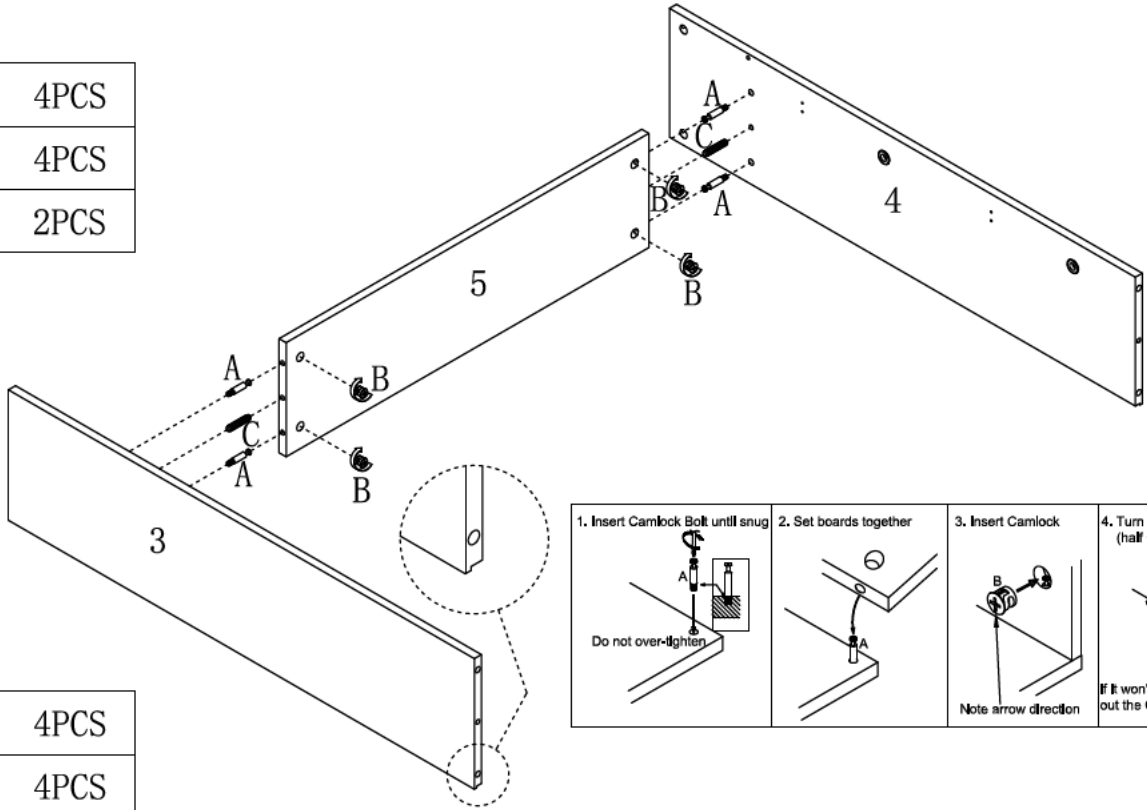
Repeat step 3 for the other shoe storage.








ASSEMBLY INSTRUCTION

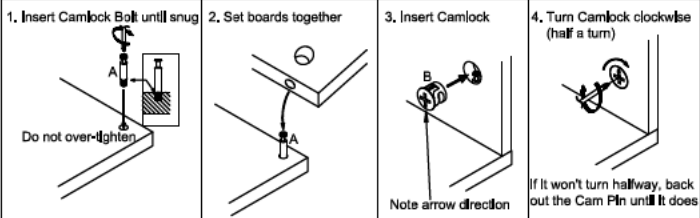
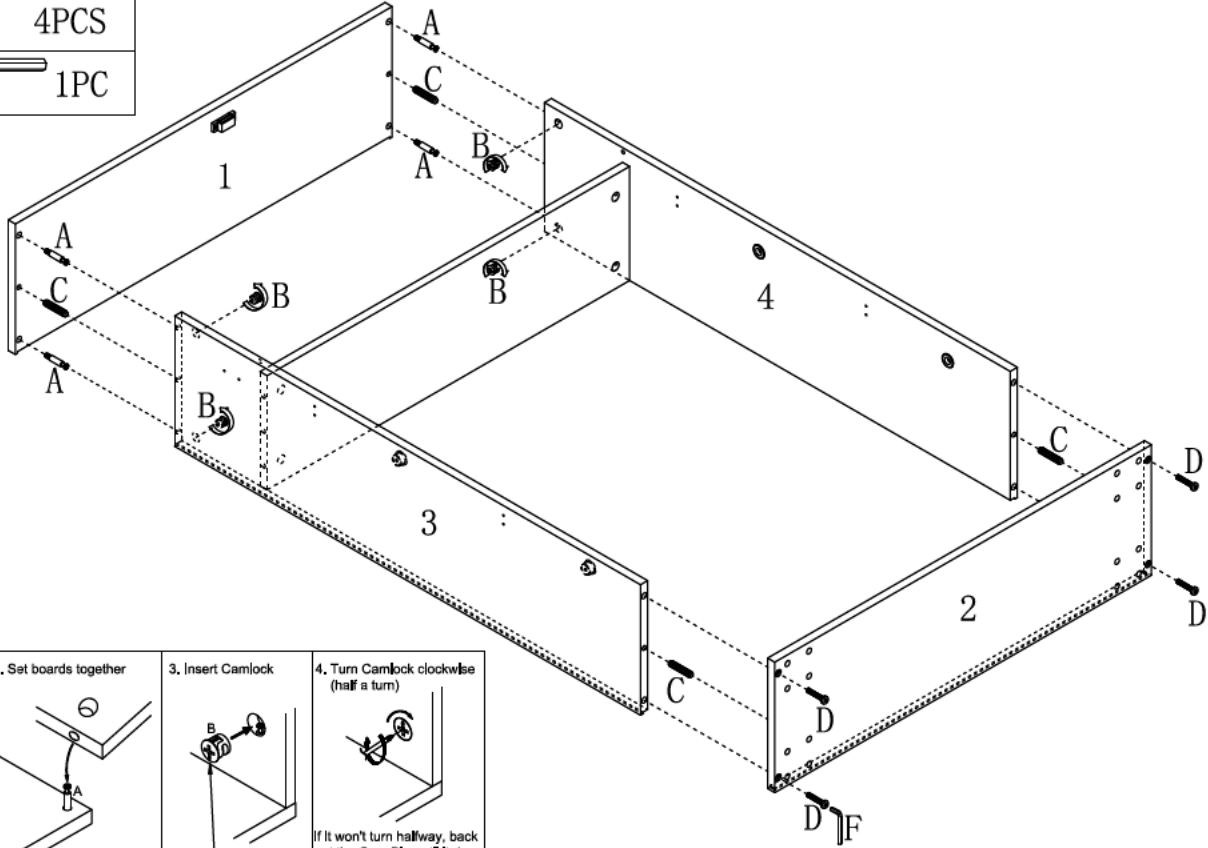
STEP 4

A:		4PCS
B:		4PCS
C:		2PCS



STEP 5

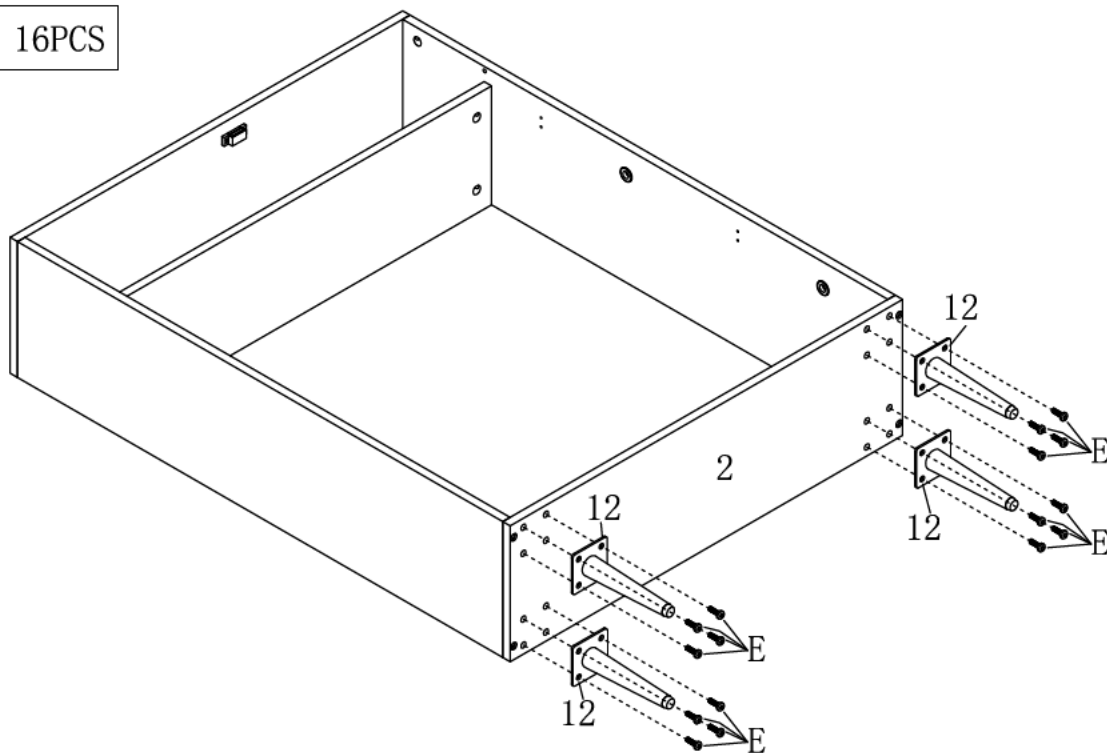
A:		4PCS
B:		4PCS
C:		4PCS
D:		4PCS
F:		1PC



ASSEMBLY INSTRUCTION

STEP 6

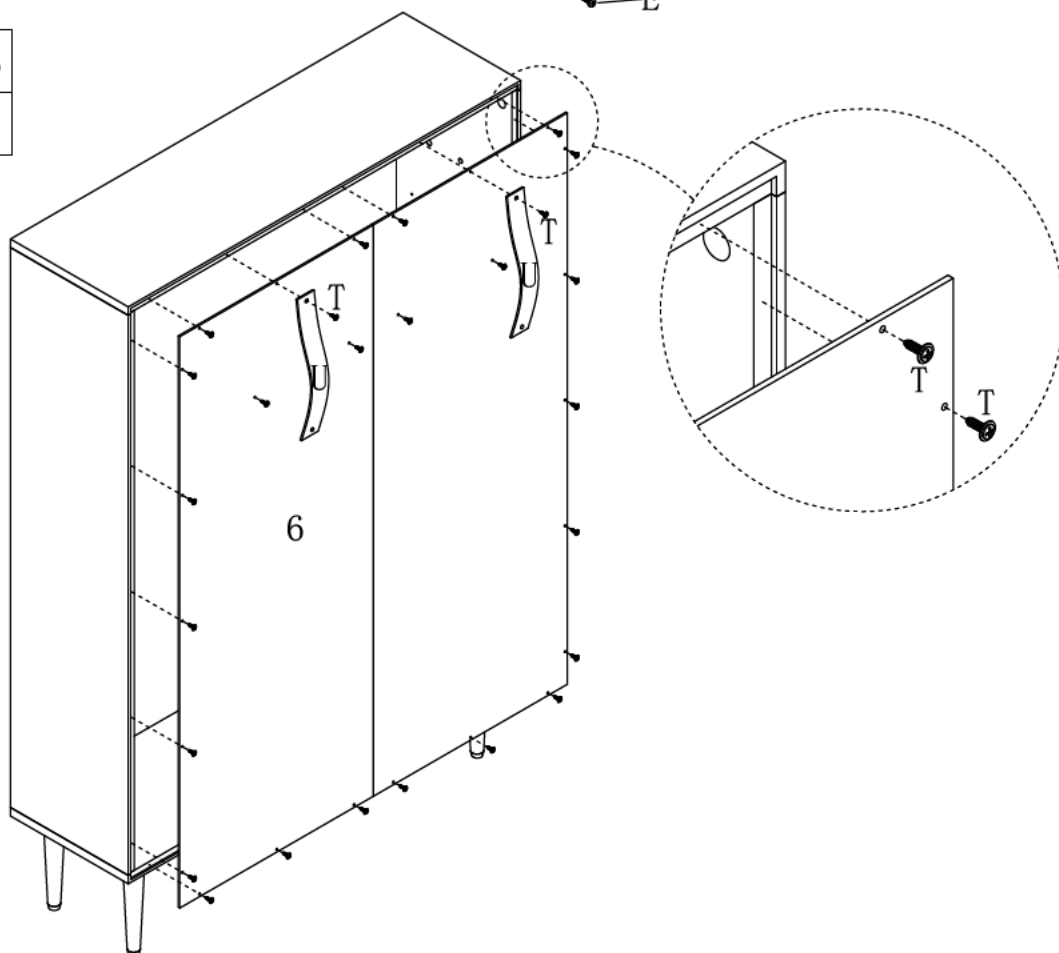
E:  16PCS



STEP 7

T:  26PCS






U:  2PCS

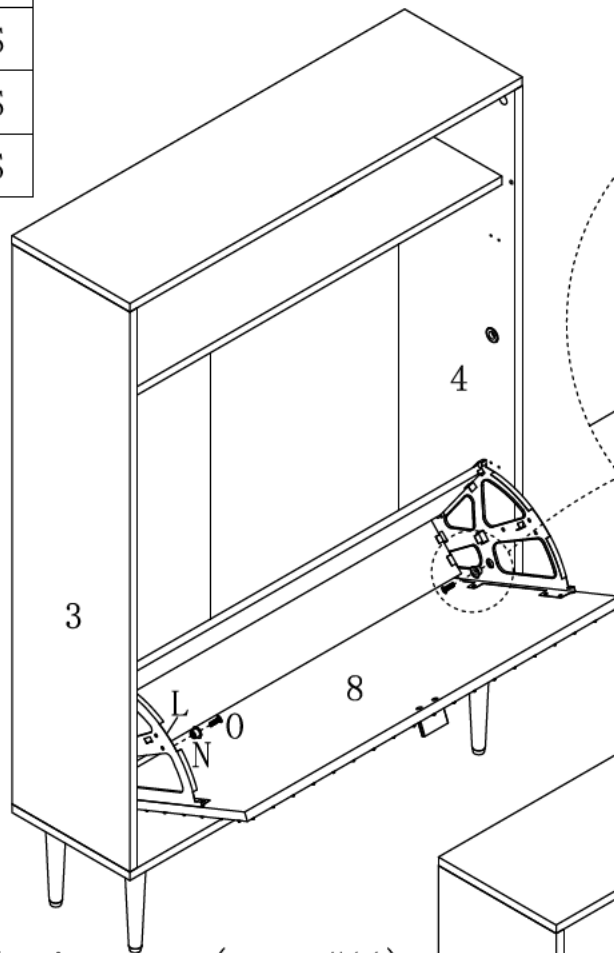


ASSEMBLY INSTRUCTION

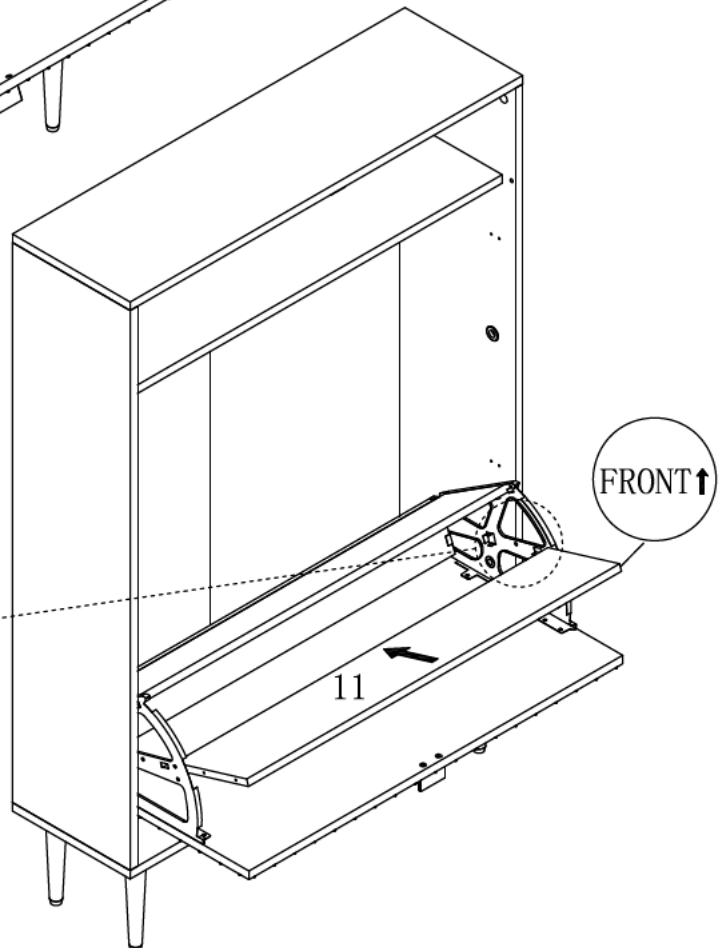
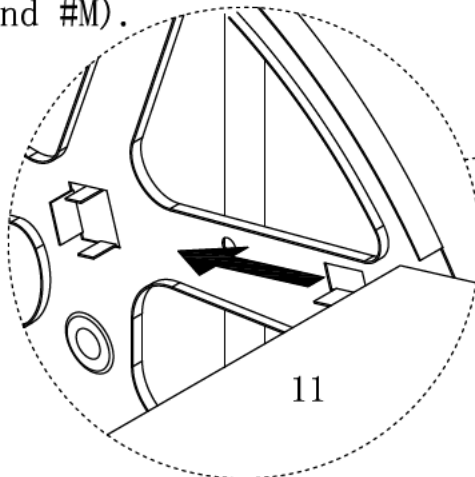
STEP 8

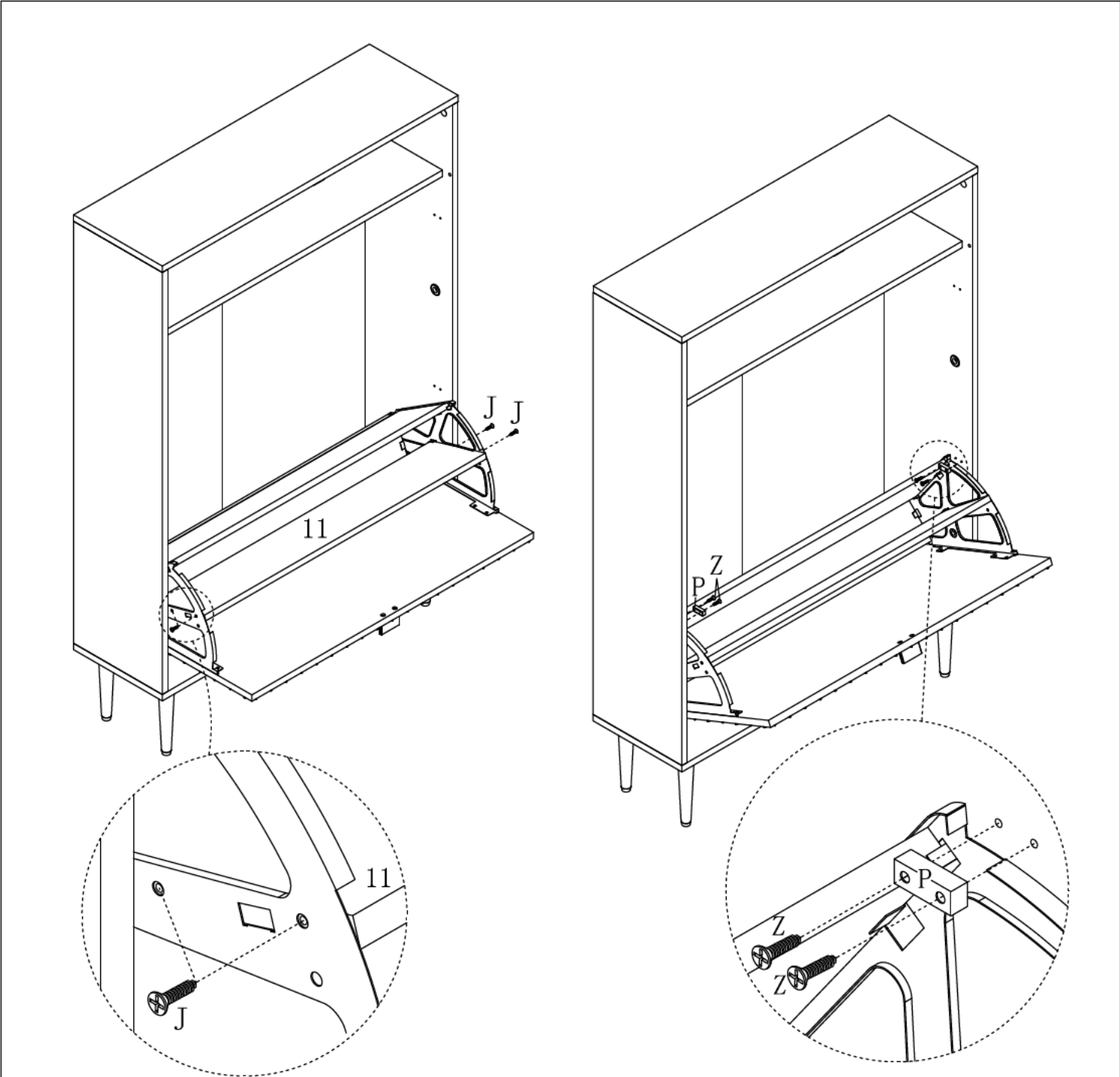
Repeat step 8 for the other shoe storage.

J:		8PCS
N:		4PCS
O:		4PCS
P:		4PCS
Z:		8PCS



Slide middle lamination (part #11) into slot of the bracket (part #L and #M).





To stop shoe storage drop fully.

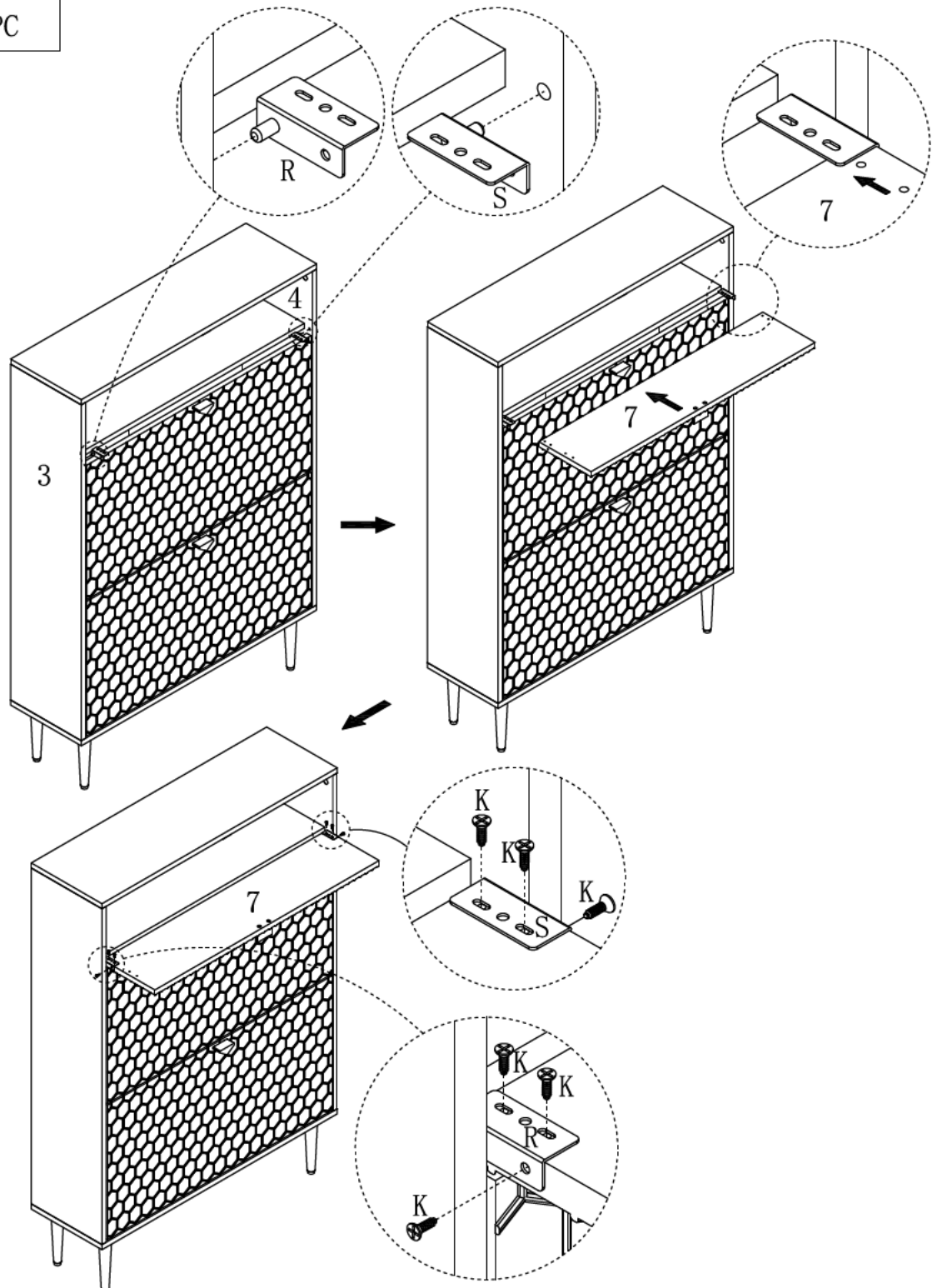
Push the shoe storage back panel back to the desired positin, then attach stopper (part P) into desired position on side panels (part #3 and #4) using screw (Part #J) .

ASSEMBLY INSTRUCTION

STEP 9



K:  6PCSR:  1PCS:  1PC

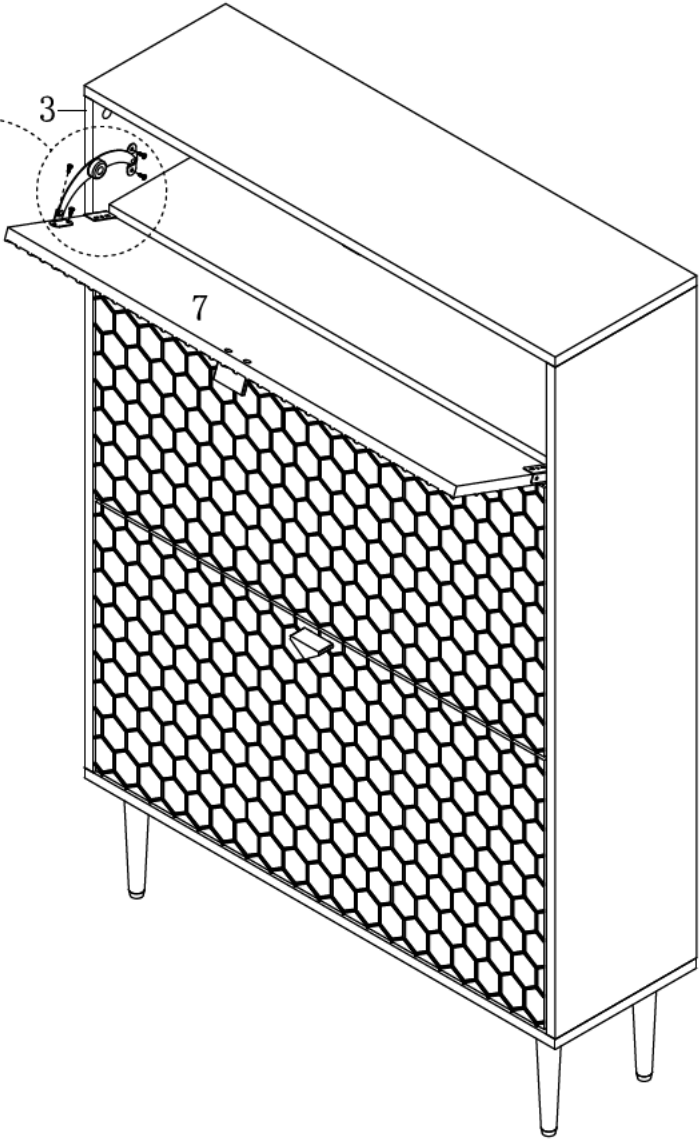
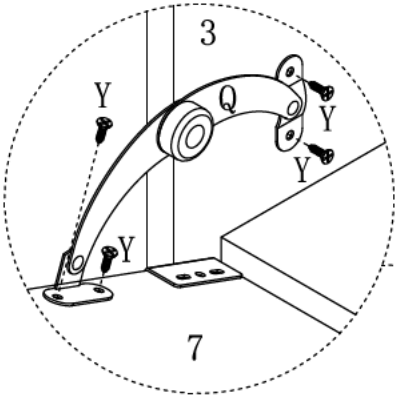
Place hinge (part R) into desired position on left side panel (part #3) and place hinge (part S) into desired position on right side panel (part #4), then slide shelf (part #7) into place and tighten the screw (part #K).



ASSEMBLY INSTRUCTION




STEP 10

Y:		4PCS
Q:		1PC



ASSEMBLY INSTRUCTION

STEP 11

V:		2PCS
W:		2PCS
X:		2PCS

