

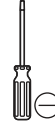
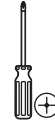
## ASSEMBLY INSTRUCTIONS



### CAUTION

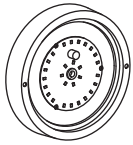
- Inspect the wire insulation for any cuts, abrasions or exposed copper that may have resulted during shipping. If there is a defect in the wire, do not attempt installation.
- Before starting installation of this fixture or removal of a previous fixture, disconnect the power by turning off the circuit breaker or by removing the fuse at the fuse box.

### TOOLS REQUIRED



\* PARTS SHOWN MAY DIFFER SLIGHTLY PER LIGHT FIXTURE

### HARDWARE INCLUDED



Fixture



Glass Shade



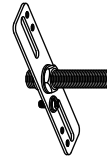
Cage



Screws



Ball Nut



Mounting Unit

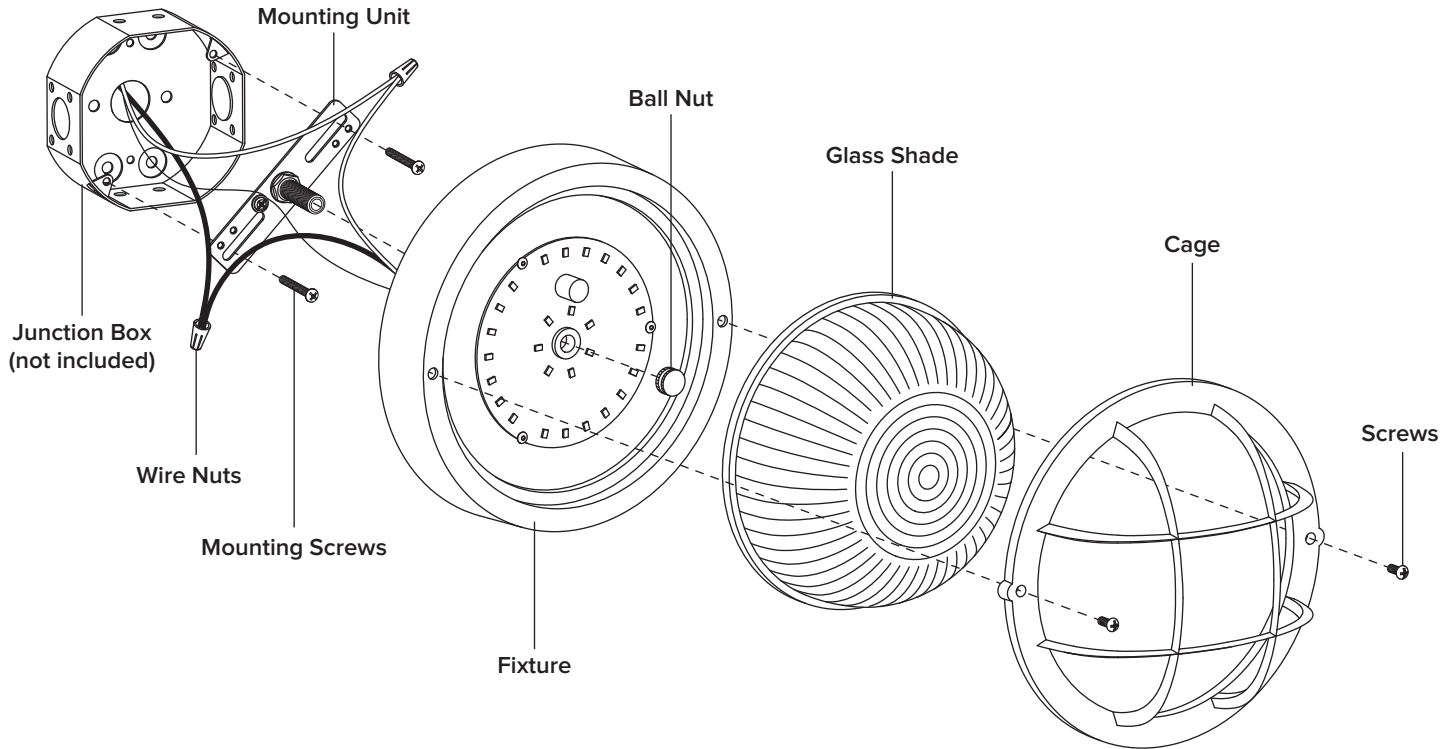


Mounting Screws



Wire Nuts

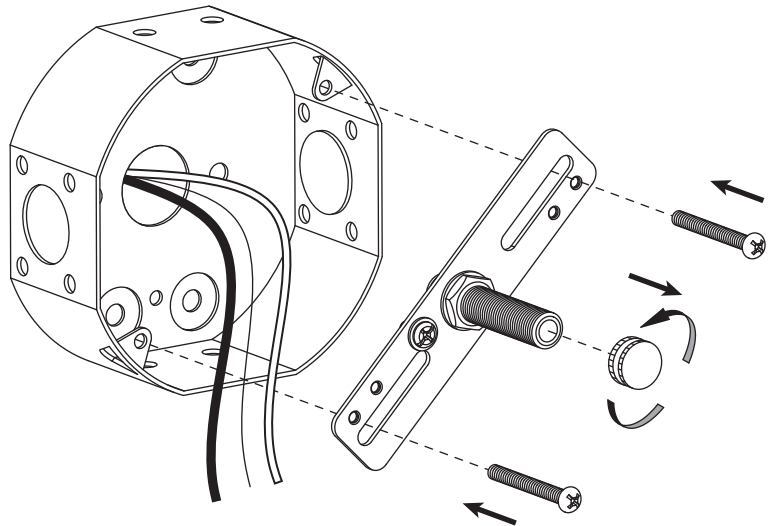
### EXPLODED PARTS



## INSTALLATION

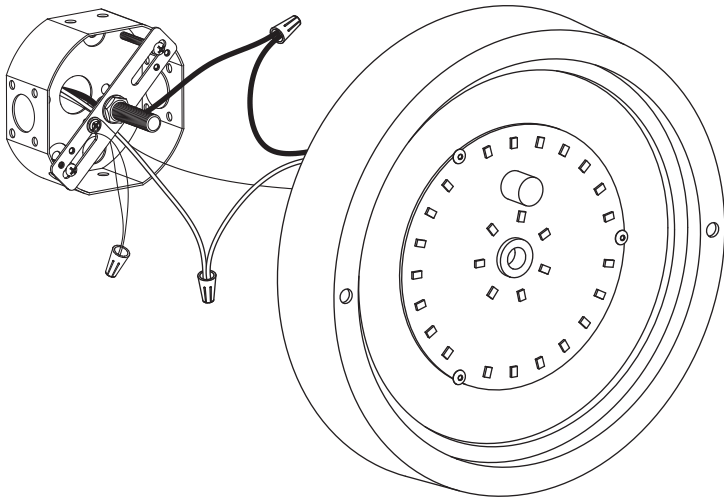
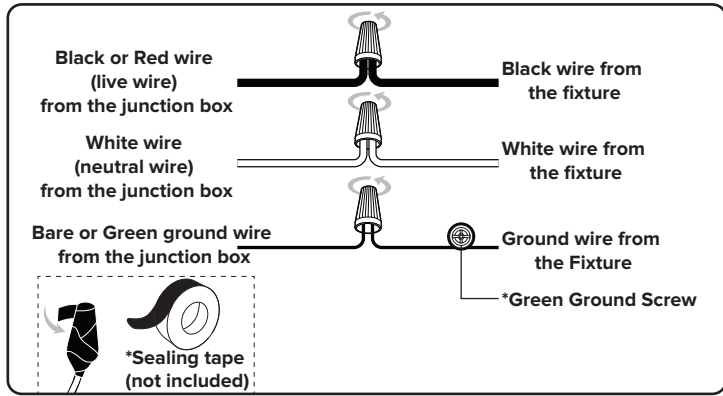
### STEP 1

1. Unscrew the **ball nut** from the **mounting unit**.
2. Adjust threaded rod on **mounting unit** to allow **fixture** to rest flush against the wall when **ball nut** is tightened.
3. Use the **mounting screws** to attach the **mounting unit** to the junction box (not included).



## STEP 2

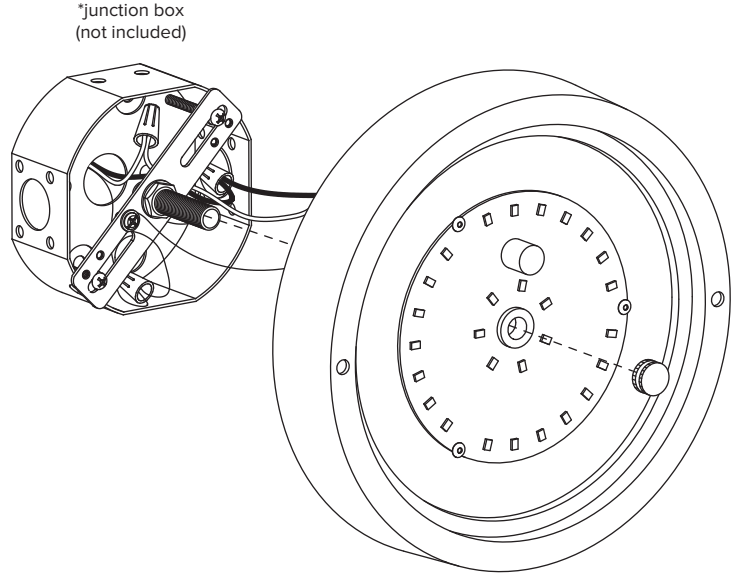
Make the electrical connection from the junction box (not included) to the **fixture**. Connect the ground wire to the **mounting unit** using the preinstalled green ground screw. Next, connect the live wire, neutral wire and ground wires with the supplied **wire nuts**. Secure with electrical tape.



## STEP 3

Secure the **fixture** to the **mounting unit** with the **ball nut**.

**NOTICE:** Please use caulk in the back plate and wall mounting surface to prevent water from entering.



## STEP 4

Attach the **glass shade** and **cage** onto **fixture** using **screws**.

