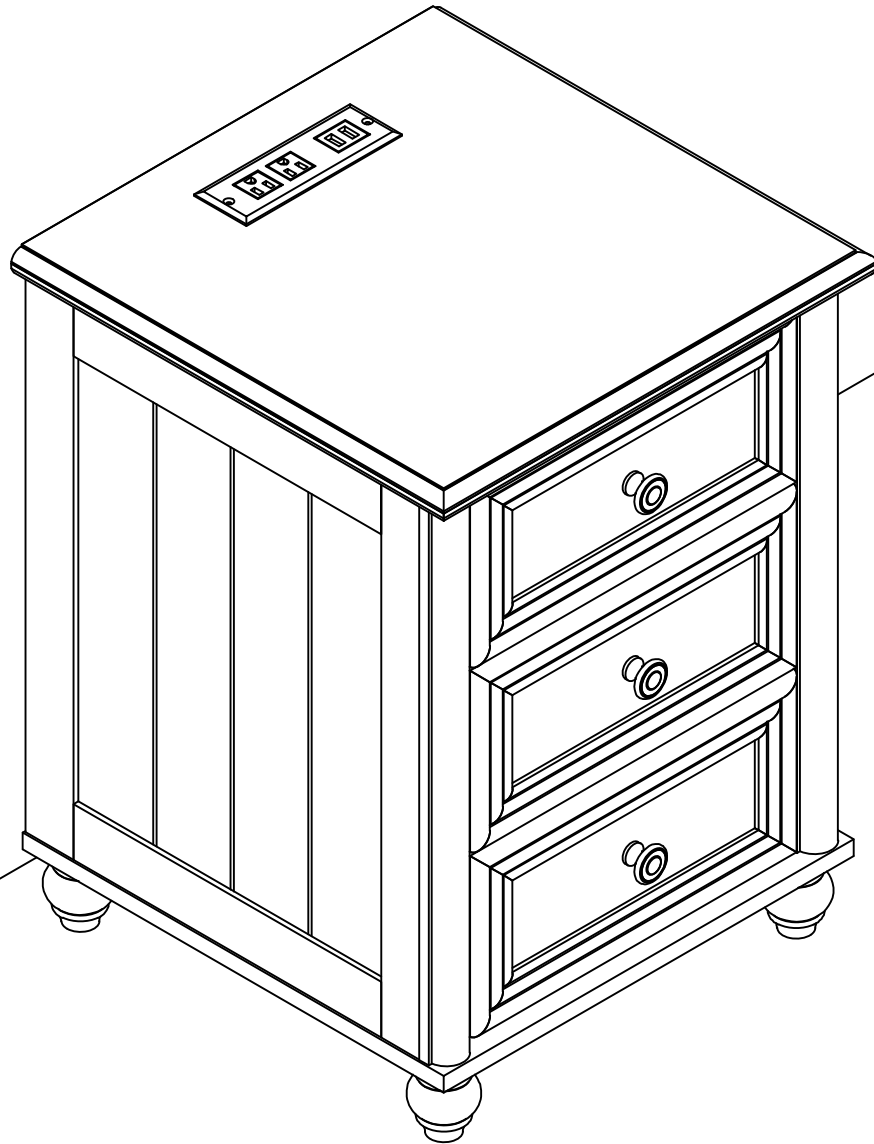
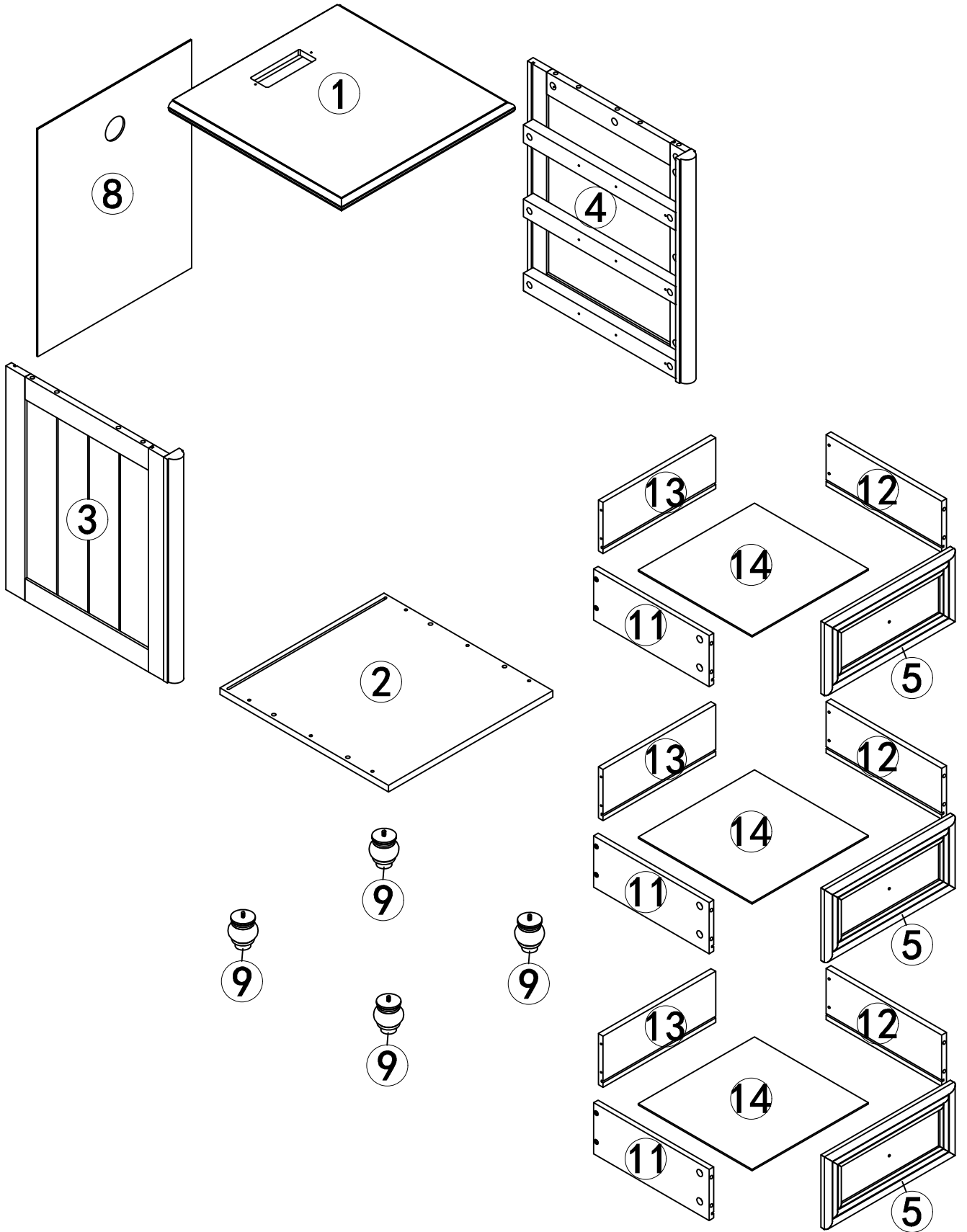


# Assembly Instructions

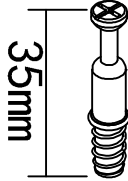

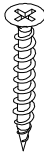


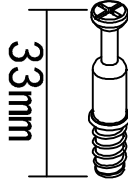
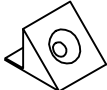

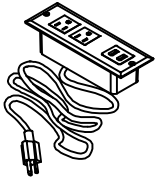

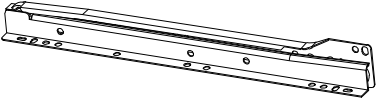

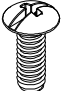
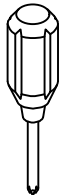



Instructions for use: The cabinet legs should be designed to avoid lateral stress. When moving, please lift vertically off the ground. Dragging may cause loose connectors, affecting stability and service life

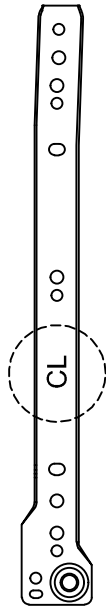
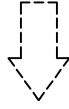
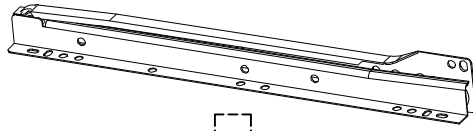
# PART LIST



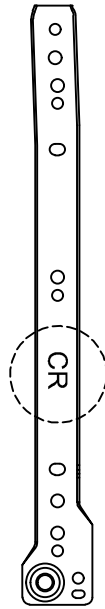
# HARDWARE LIST

<b>A</b>  Ø6x35mm (6+1)PCS	<b>B</b>  Ø15x9.5mm (18+2)PCS	<b>C</b>  Ø4x32mm (12+1)PCS
<b>D</b>  Ø8x30mm (8+1)PCS	<b>E</b>  Ø5x40mm (6+1)PCS	<b>F</b>  Ø6x33mm (12+1)PCS
<b>G</b>  (4+1)PCS	<b>H</b>  Ø3x15mm (4+1)PCS	<b>I</b>  1PC
<b>J</b>  Ø3x12mm (38+2)PCS	<b>K</b>  3SET	<b>L</b>  3PCS
<b>M</b>  Ø4x12mm 3PCS	 1PC	 1PC

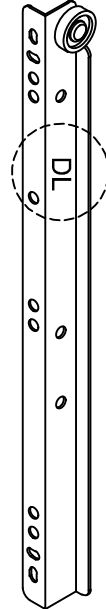
**!** K X 3SET



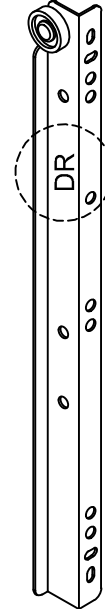
**CL**



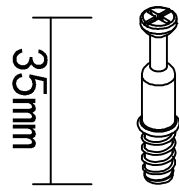
**CR**



**DL**

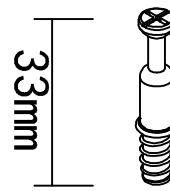


**DR**



35mm

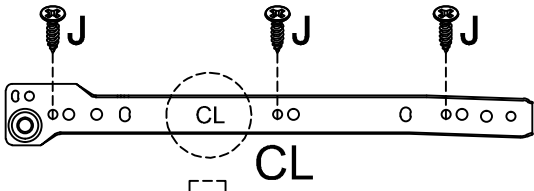
**A**



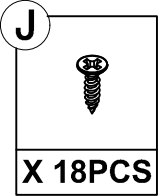
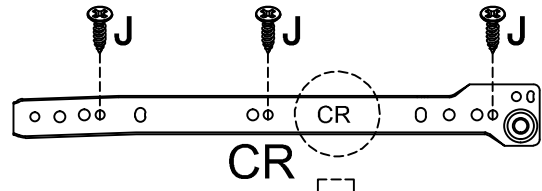
33mm

**F**

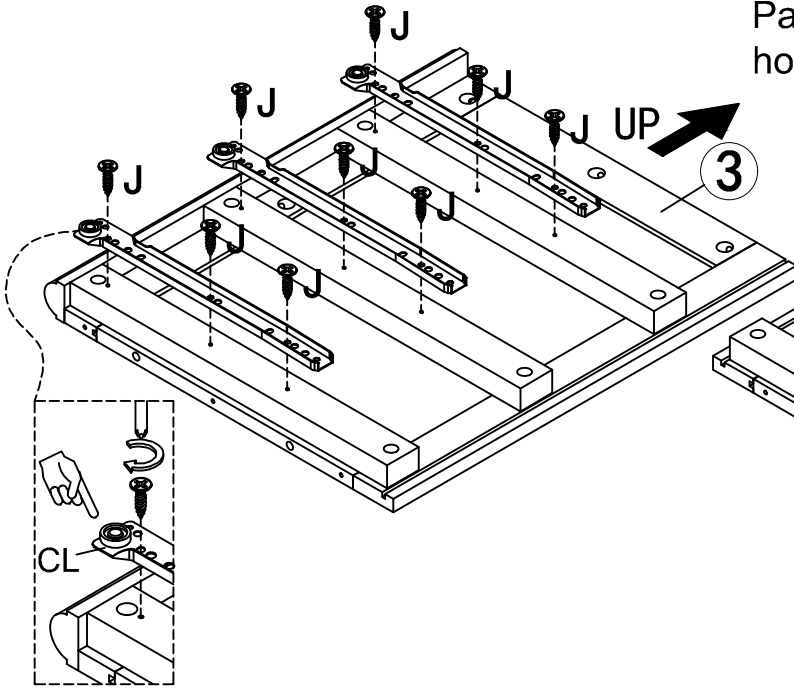
STEP 1



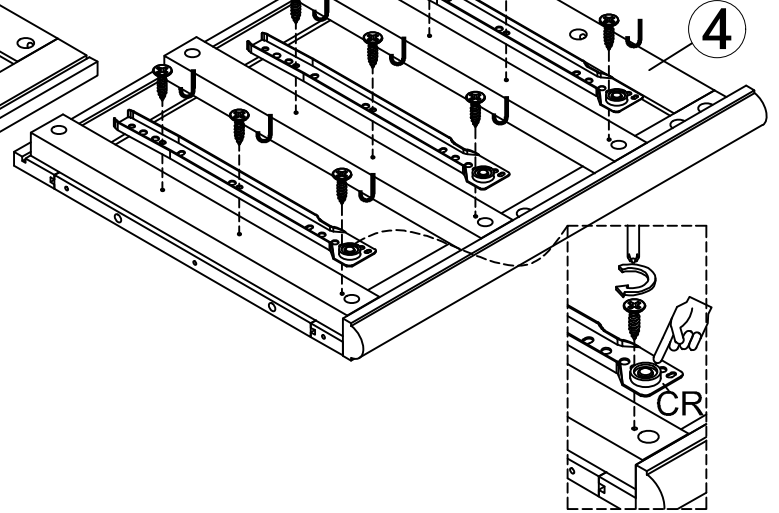
X3



Pay attention to the hole position.

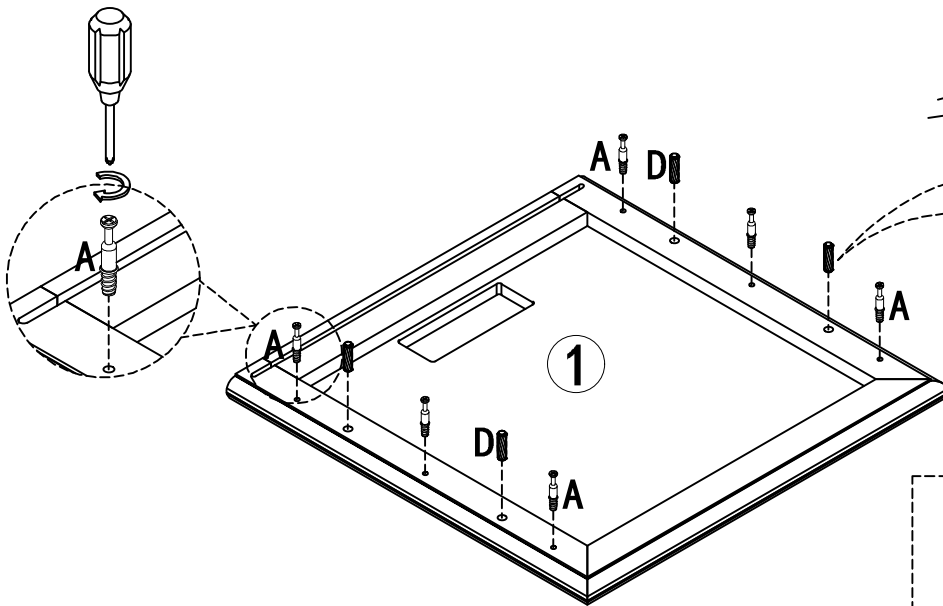
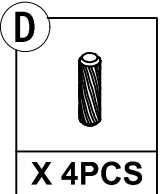
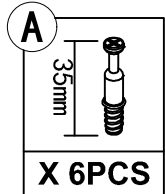


3

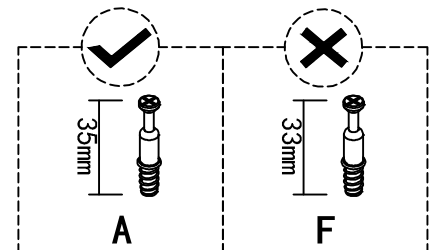


4

STEP 2




1

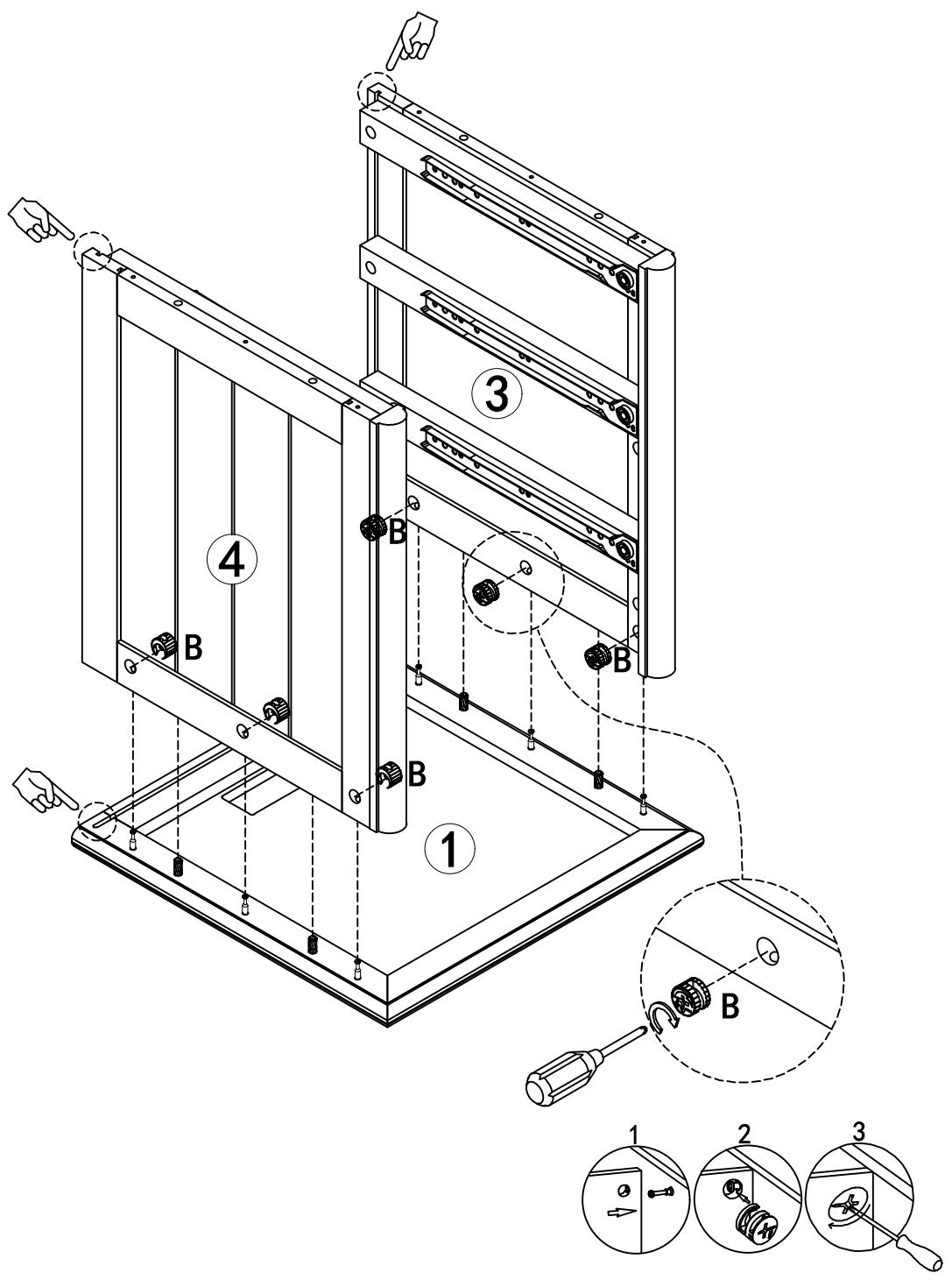


STEP 3

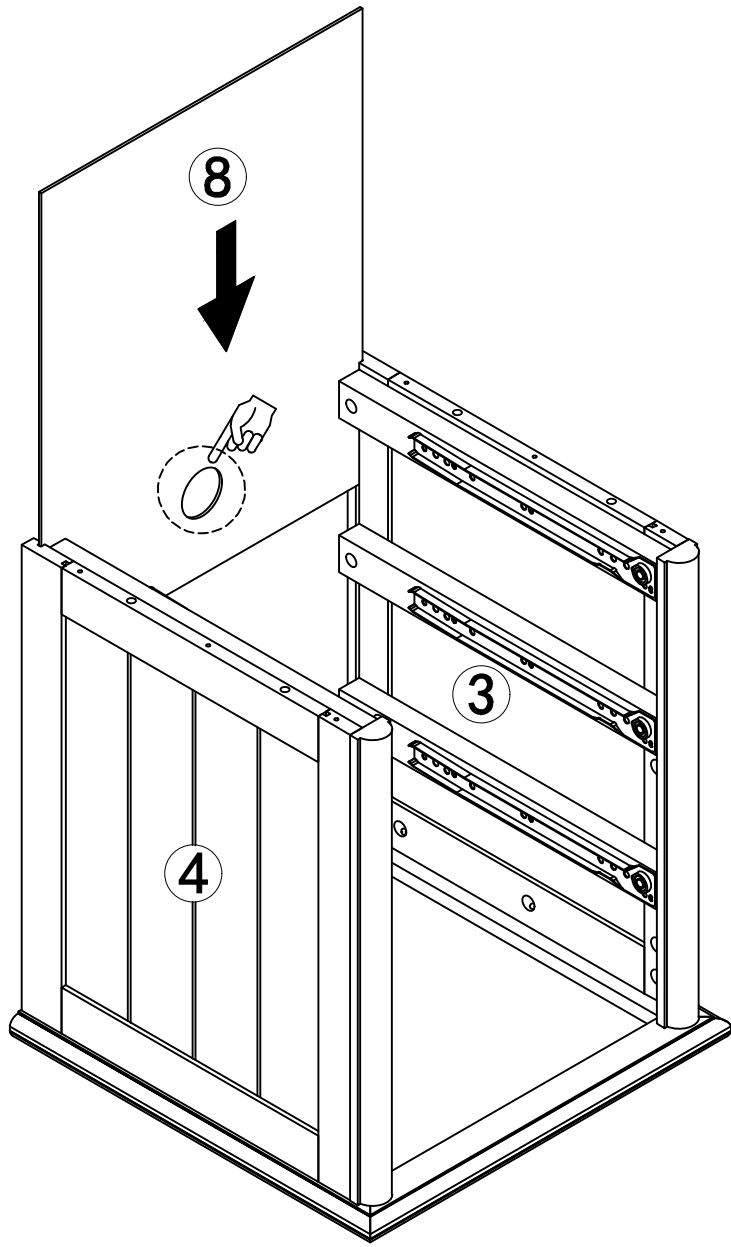
**B**



**X 6PCS**




STEP 4

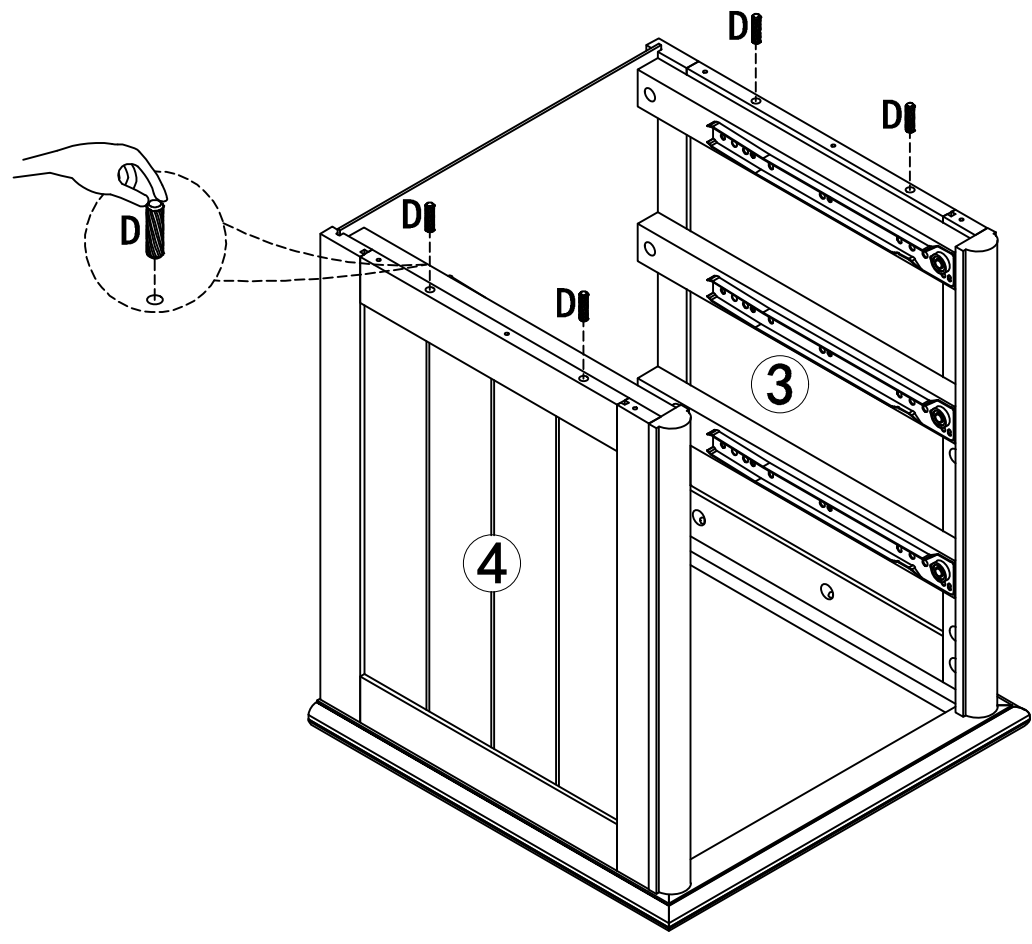


STEP 5

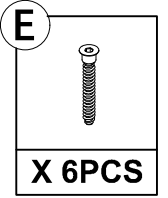
D



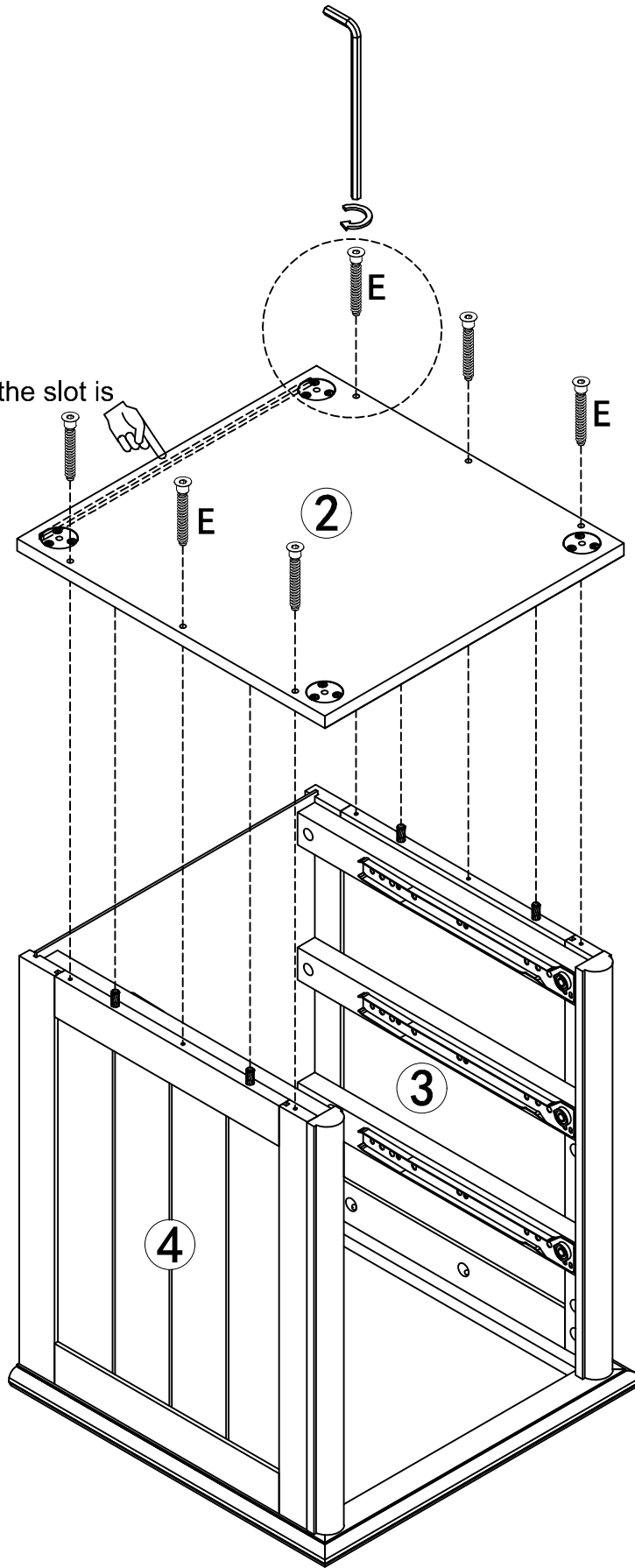
X 4PCS



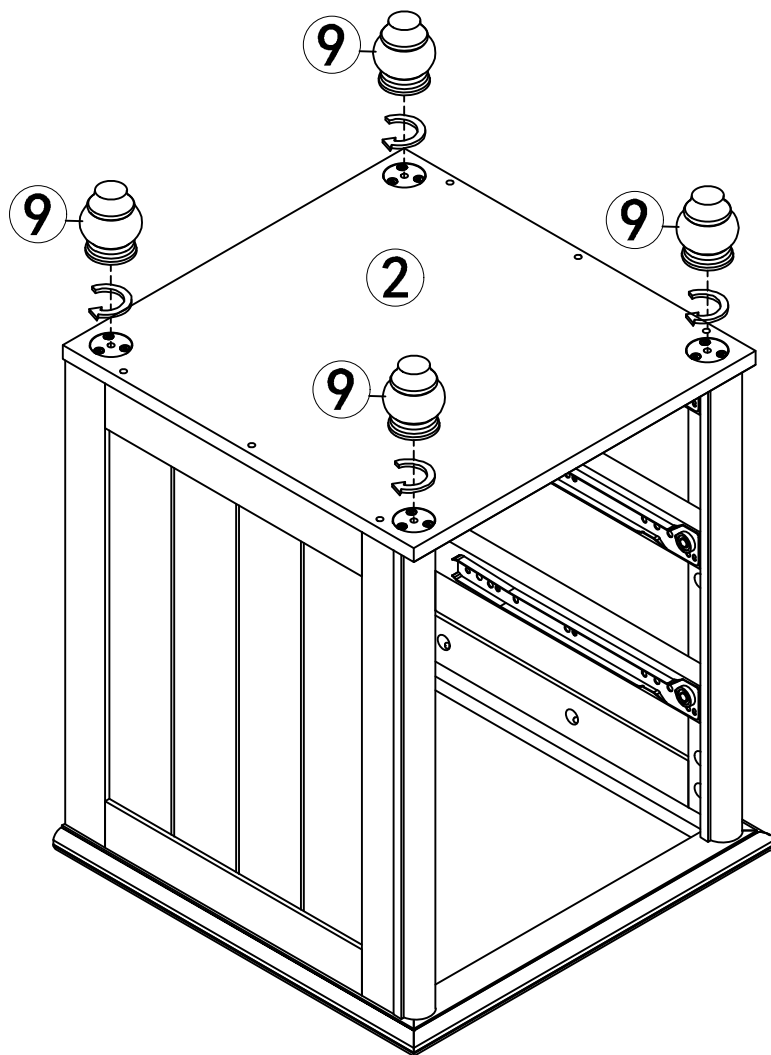
STEP 6







NOTE: that the slot is under here



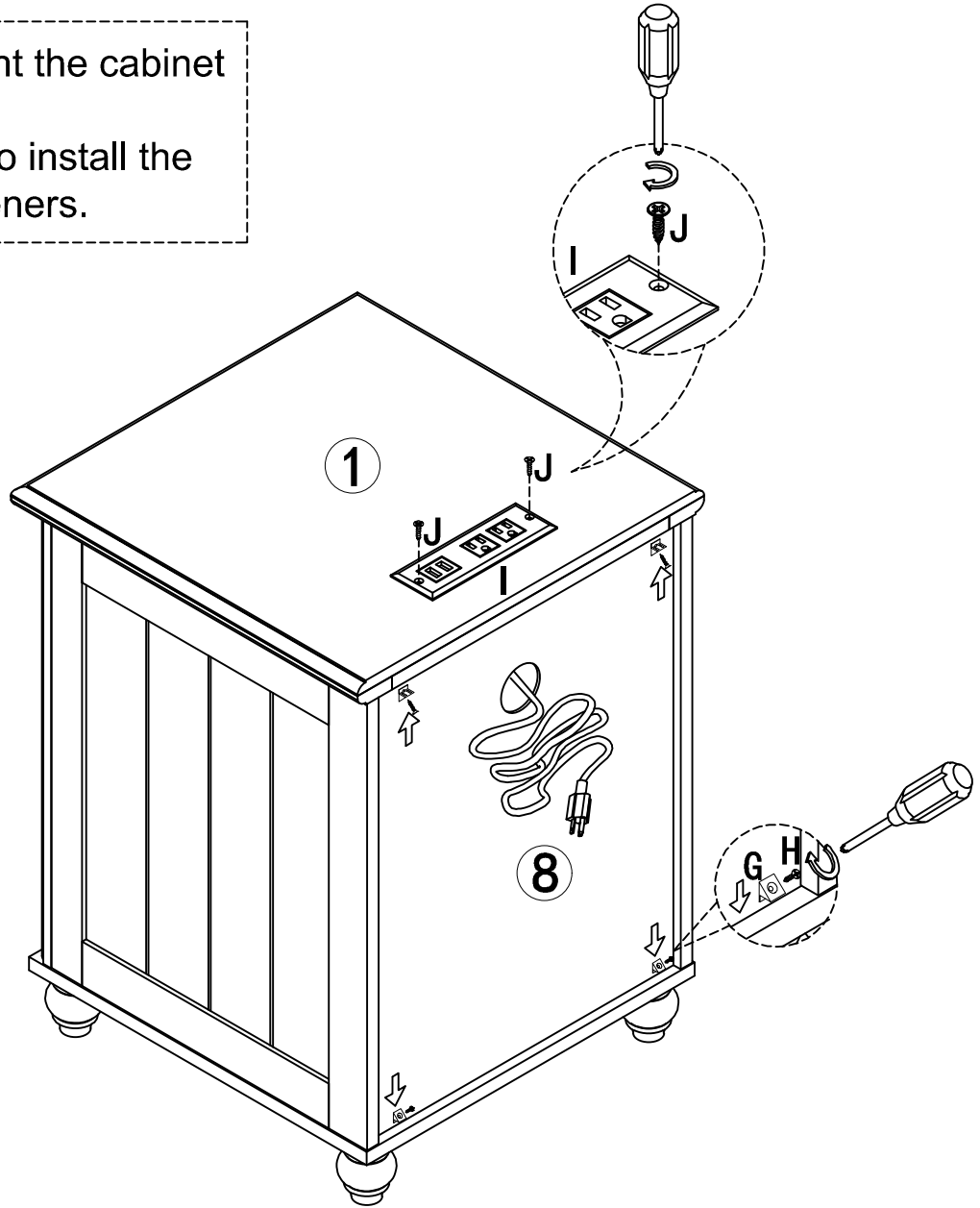
STEP 7



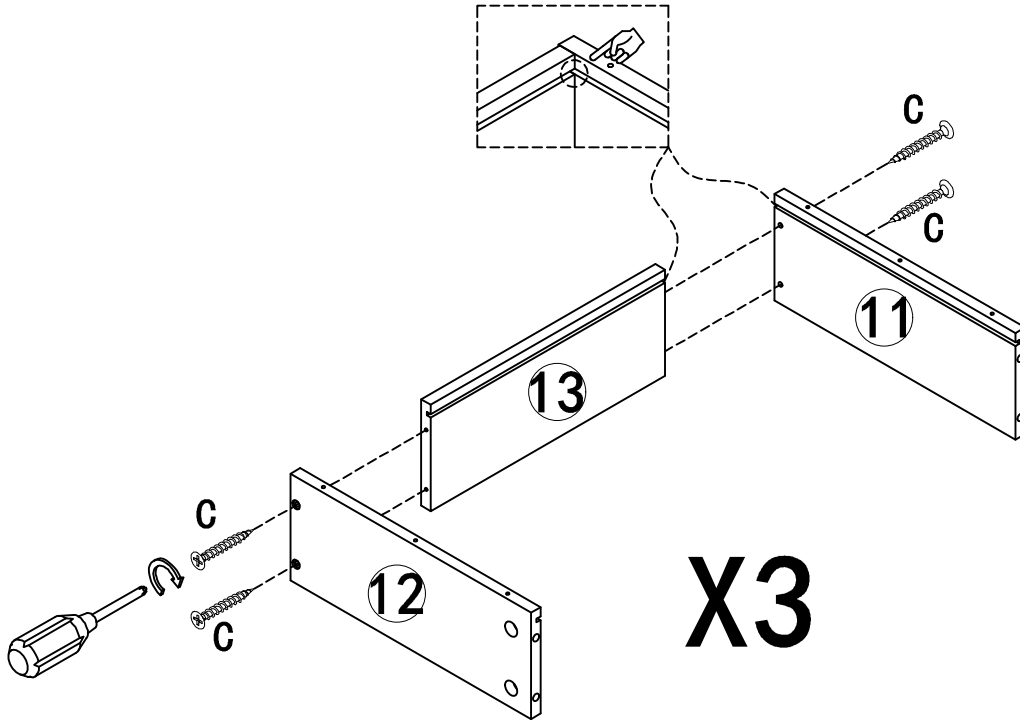
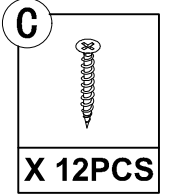
STEP 8

<b>G</b>  X 4PCS	<b>H</b>  X 4PCS	<b>I</b>  X 1PC	<b>J</b>  X 2PCS
---	---	--	---

NOTE: To prevent the cabinet from wobbling please be sure to install the back panel fasteners.

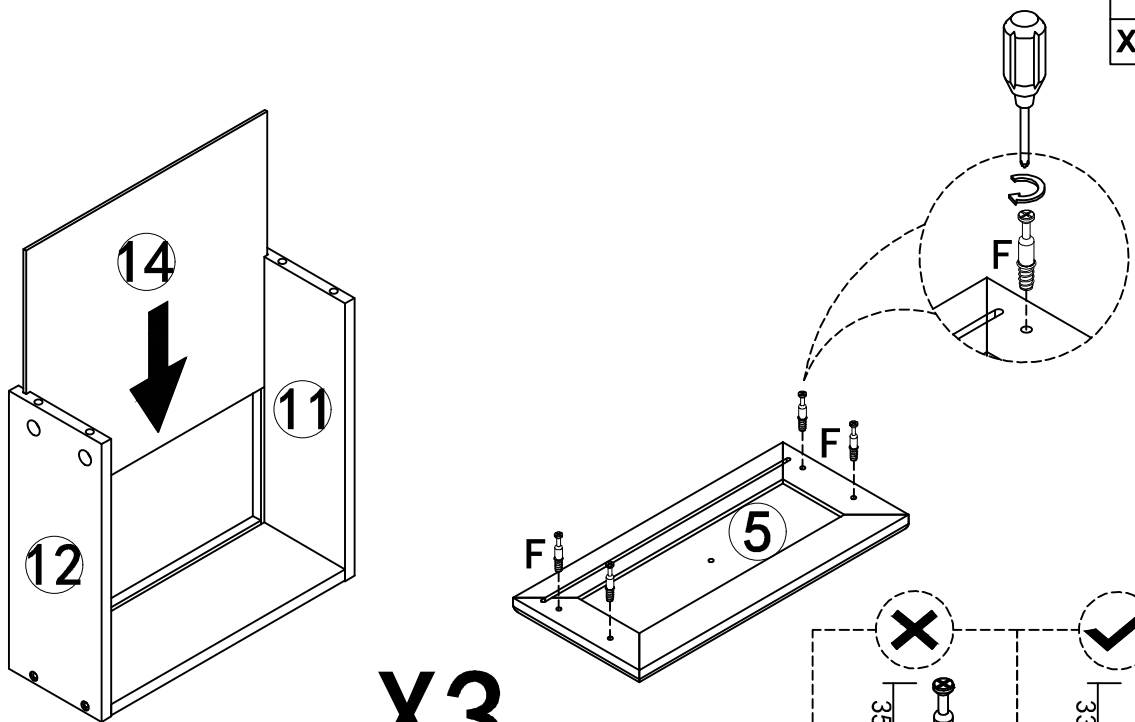
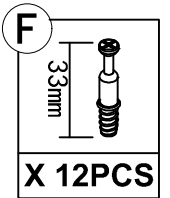


STEP 9



X3


STEP 10



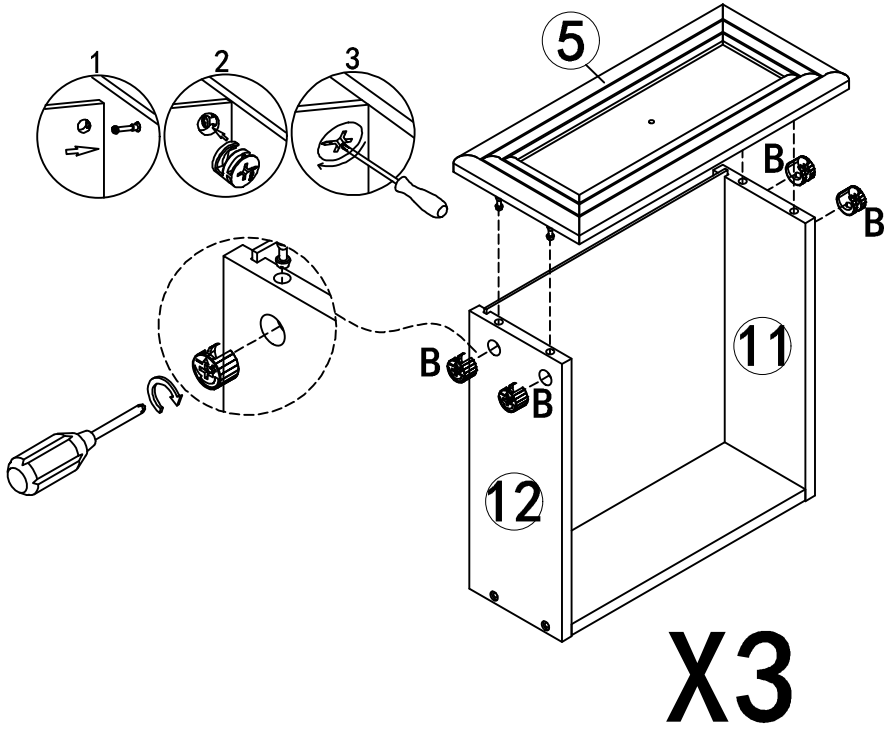
X3

STEP 11

**B**




**X 12PCS**




STEP 12

**L**

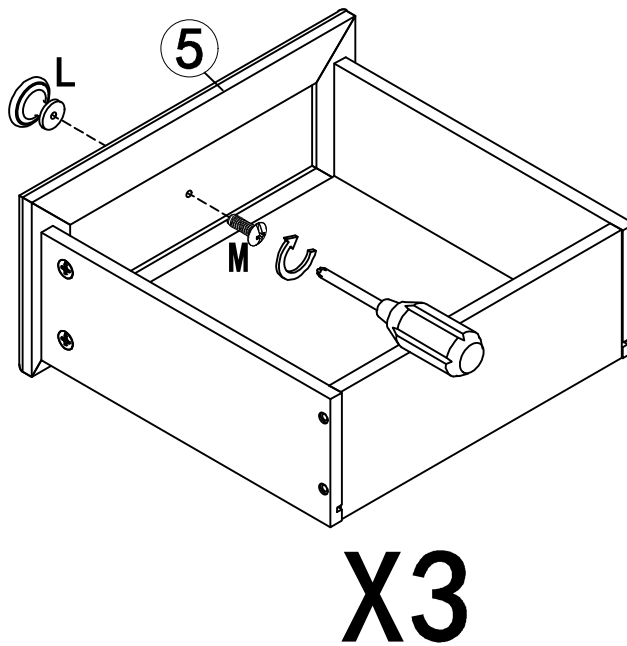


**X 3PCS**

**M**

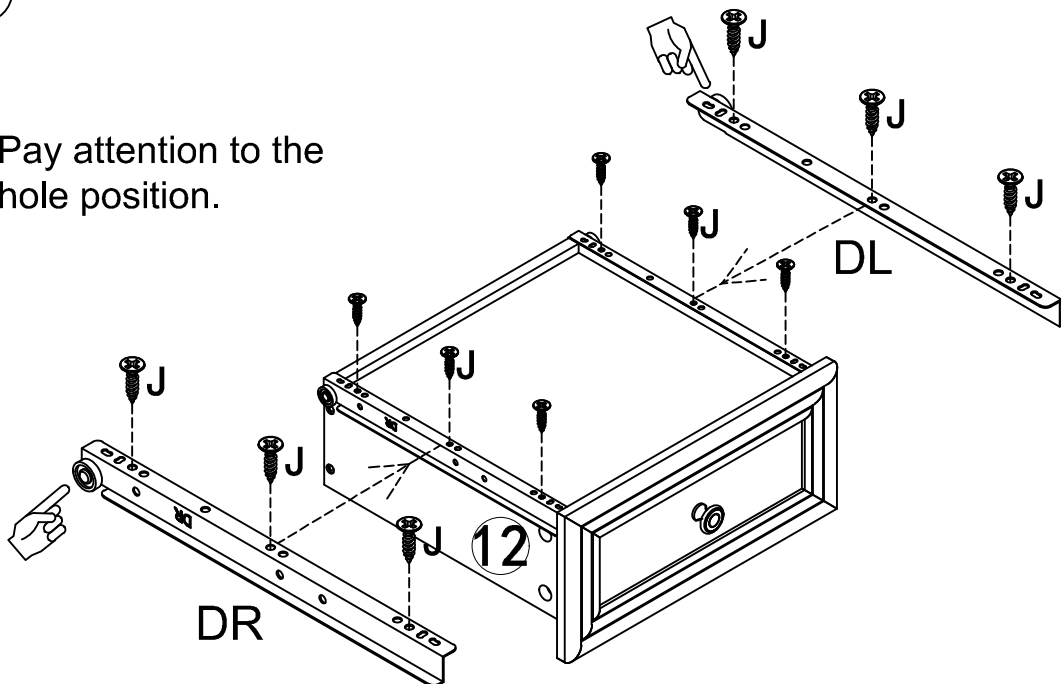


**X 3PCS**



STEP 13

Pay attention to the hole position.



X3

STEP 14

