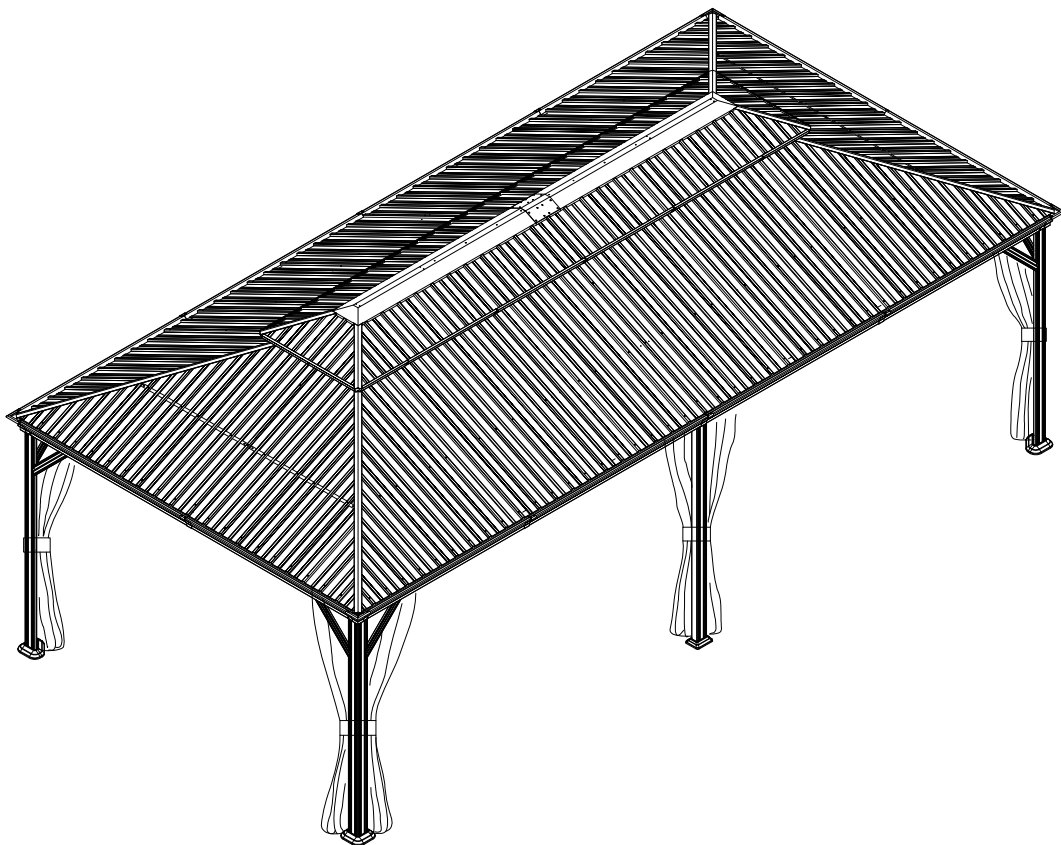




# 12' × 24' HARDTOP GAZEBO WITH DOUBLE ROOF ASSEMBLY MANUAL



**MODEL#: LGMF 1738**

Missing part? Damaged? Contact us via email at

[service@domioutdoorliving.com](mailto:service@domioutdoorliving.com)

# Pre-assembly



1. Two or more people are required for assembly.



2. You will need one or more stepladders.



3. Wearing protective gloves is recommended.



4. You may need a safety hat.



5. Please use a Phillips screw driver.



6. For ease of construction, you may need a drill.



7. You may need a safety goggle.



8. Do not fully tighten screws prior to complete assembly.

## Warning & Attention

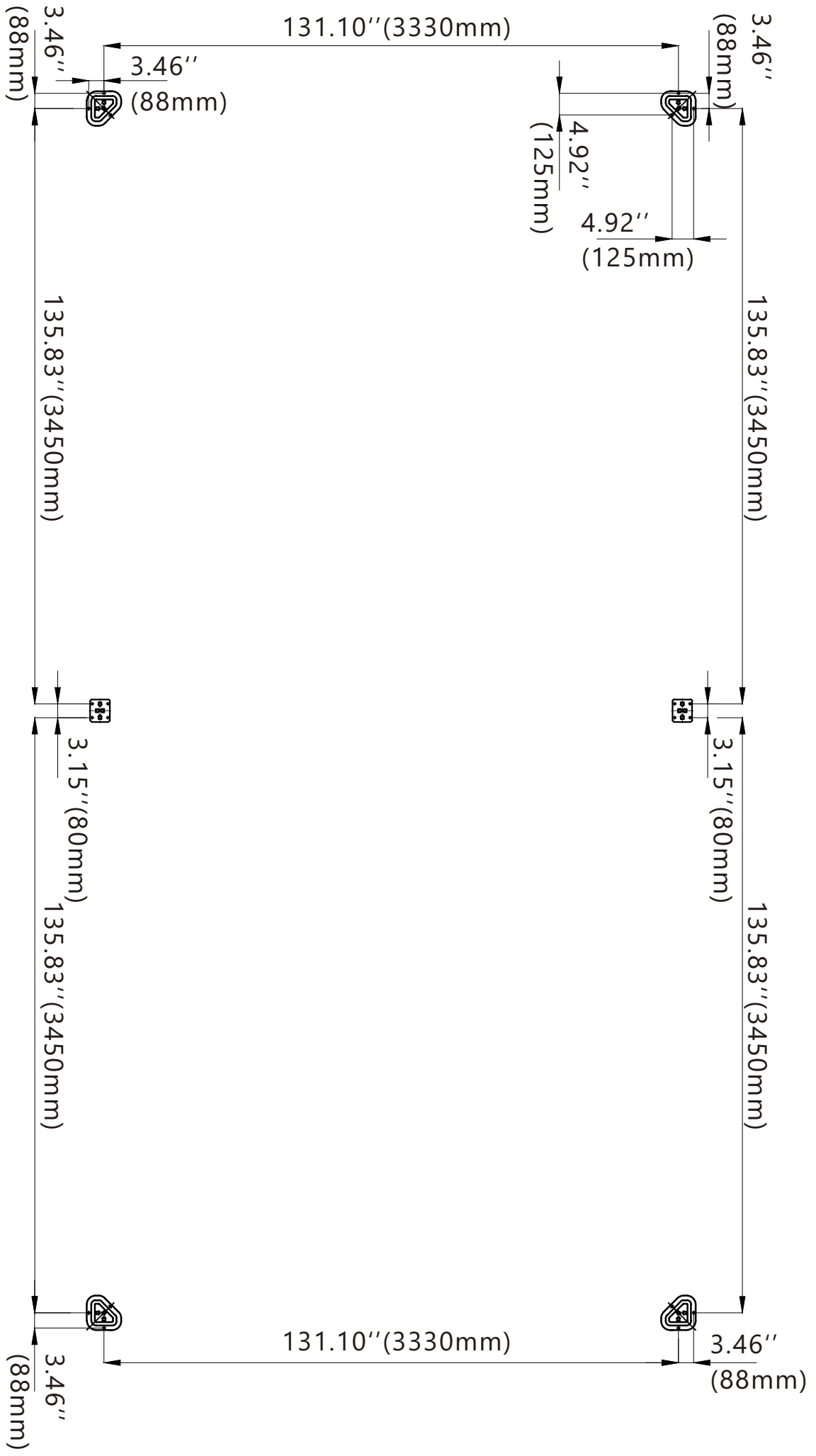
-Try to assemble this product on the flat ground, otherwise it is difficult to carry out;

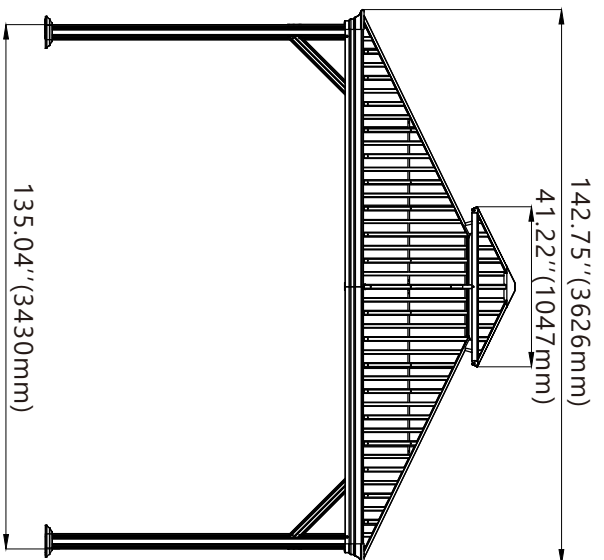
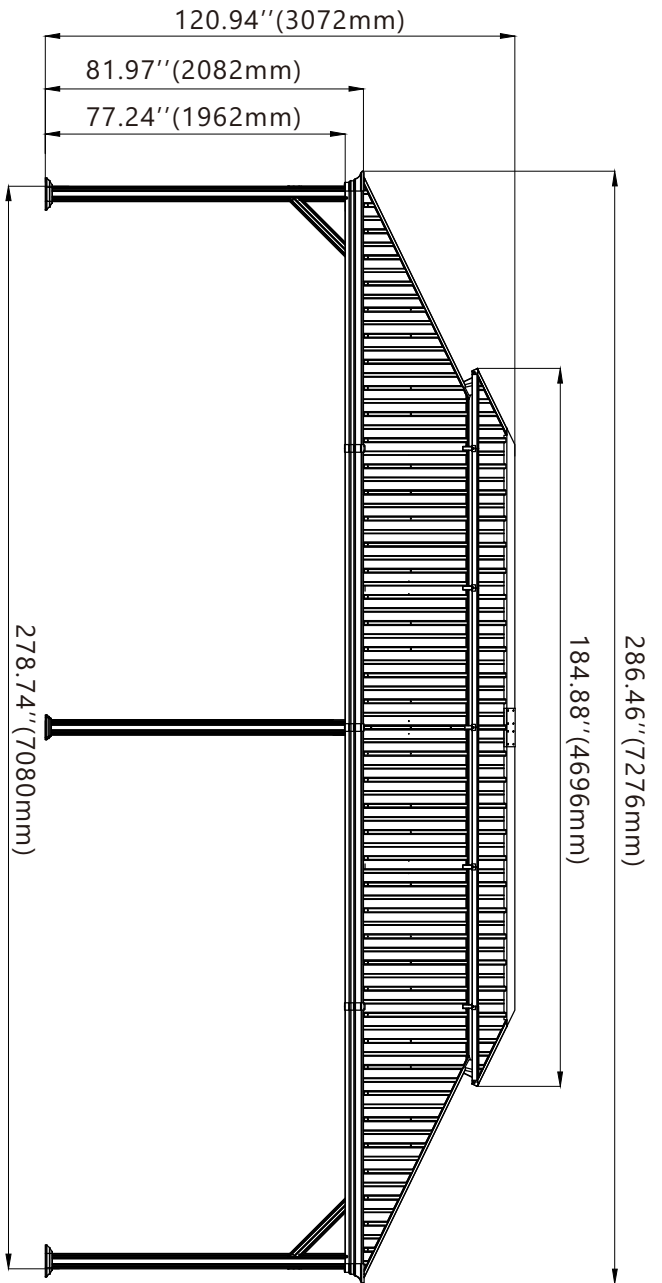
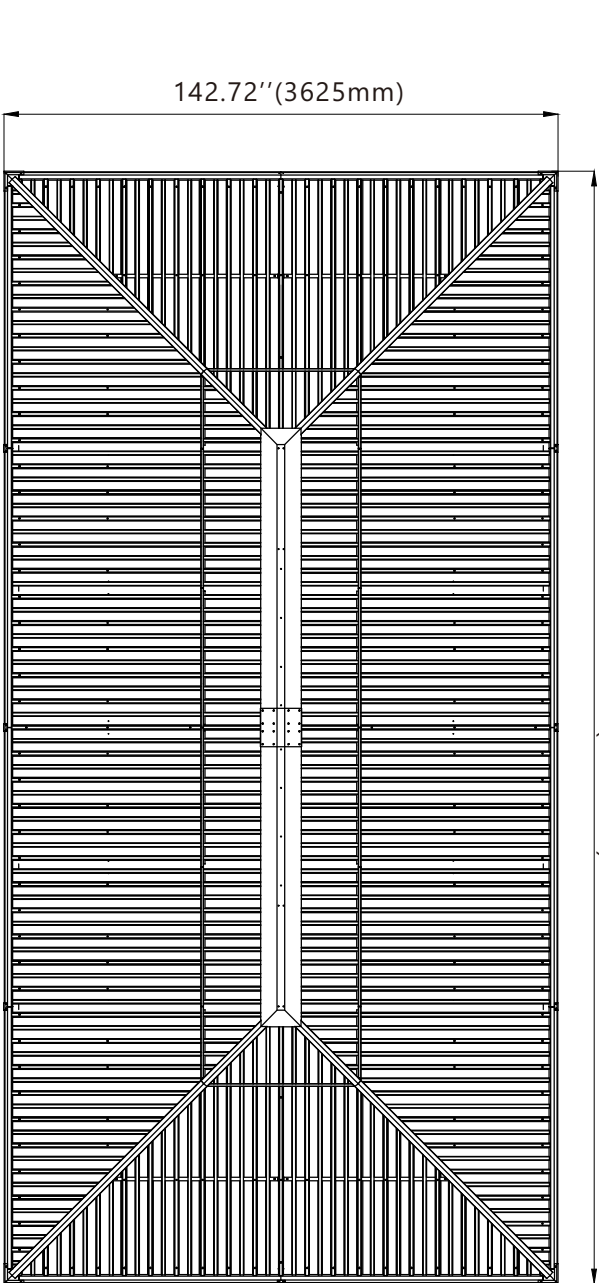
-It would be much easier to assemble the product with three or more people;

-After assembly, please check whether all screws are tightened, to prevent parts from falling apart.

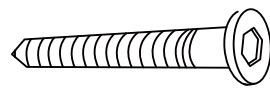
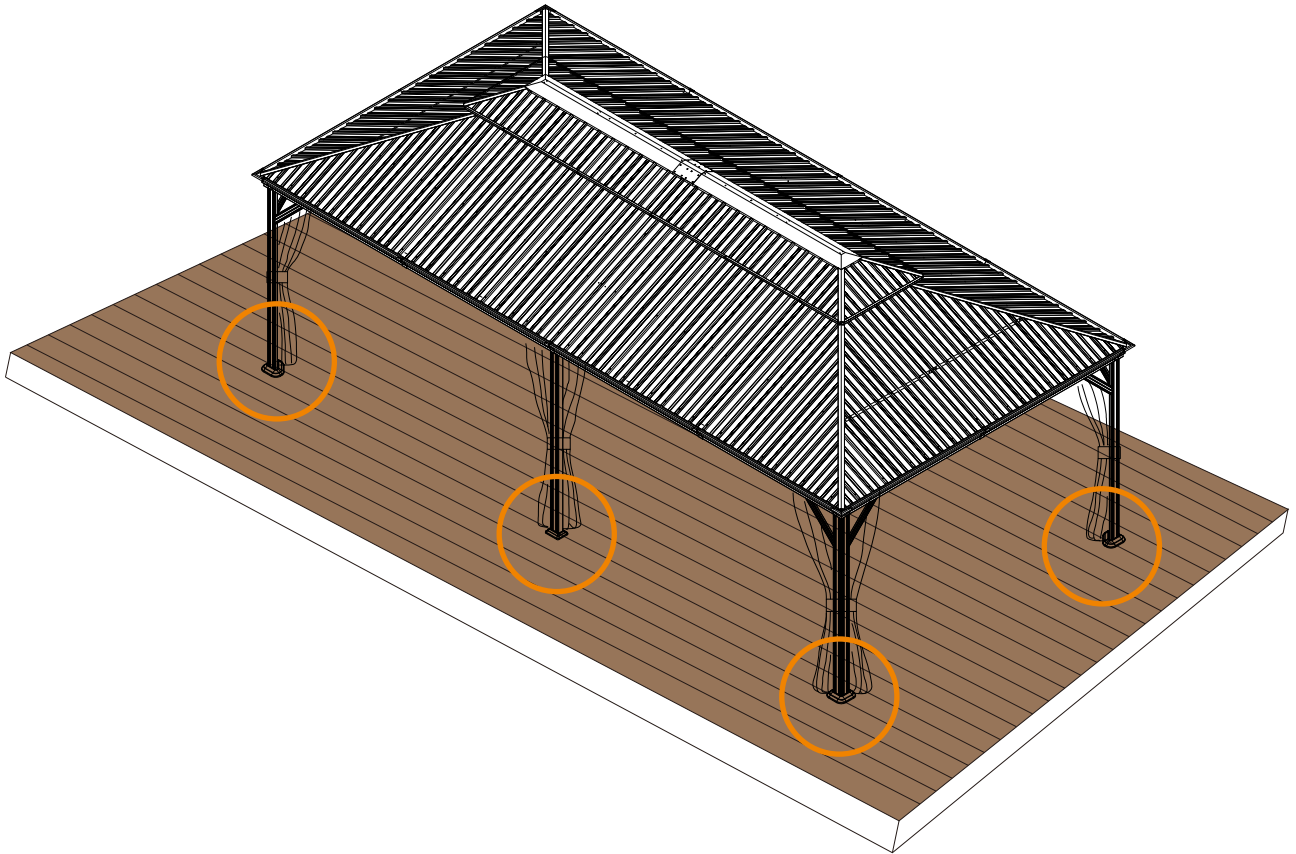
**▲** Use bolts to secure the frame to the ground to against the strong wind.

**IMPORTANT:** A gaze may entail to purchase a municipal permit or be subject to specific building codes. It is the consumer's responsibility to inform themselves of any restrictions.



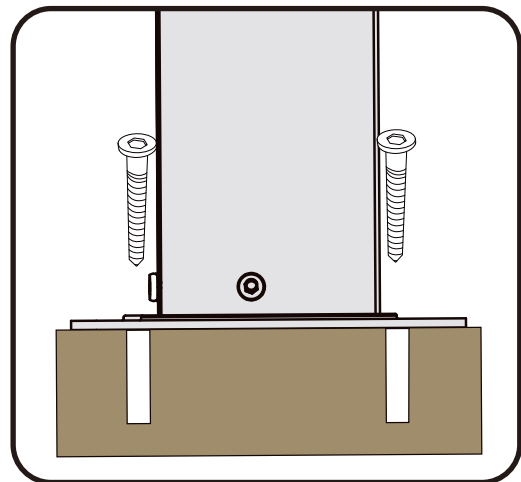
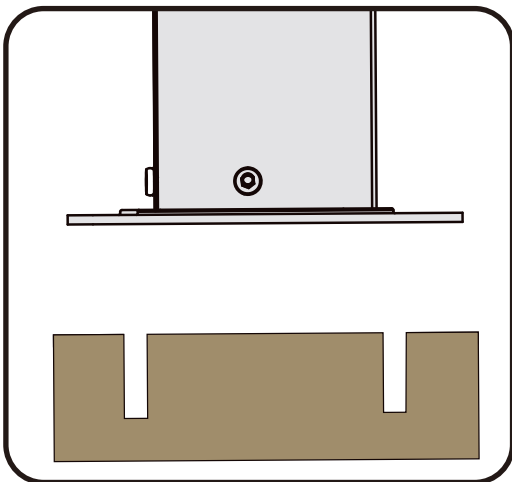


1

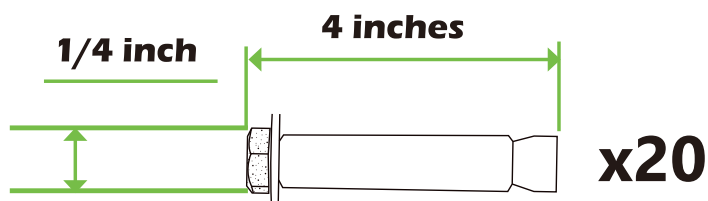
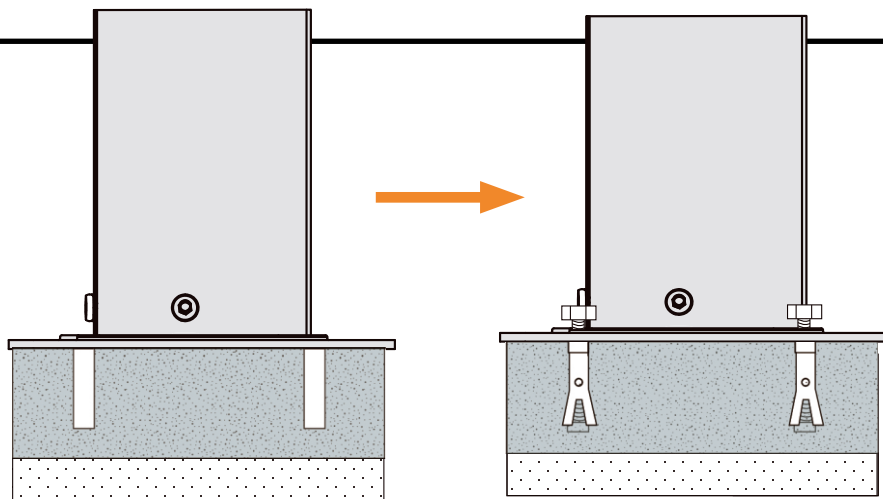


x20

If the deck is hard wood and the depth of it is over 3 inch, you can use **5/16 in. x4 in. Structural Wood Screw** to mount the gazebo.

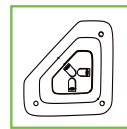
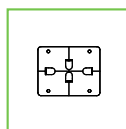
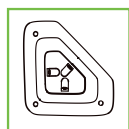
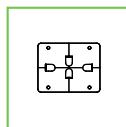
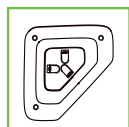


2



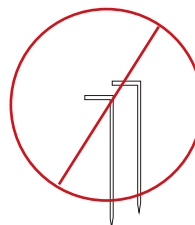
If the ground is concreted and the depth of it is over 3 inch, you can use 1/4 inch expansion bolts to mount the gazebo

3



Or you can make a concrete footing for gazebo, **15×15×15 inches** is recommended. use expansion bolts to mount the pergola like ② shows.

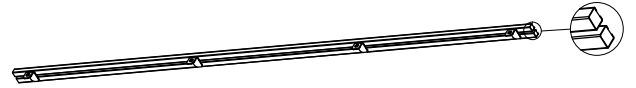
**IMPORTANT:**  
Anchor is not recommended





Pole

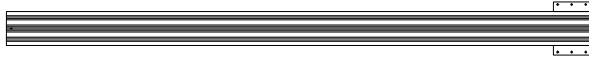
A (x4)



1583mm

Sidewall Track

D1 (x4)



Pole

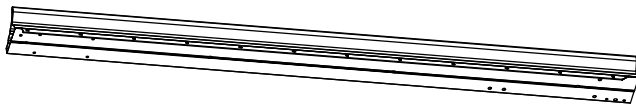
B (x2)



1739mm

Sidewall Track

D2 (x2)



Beam

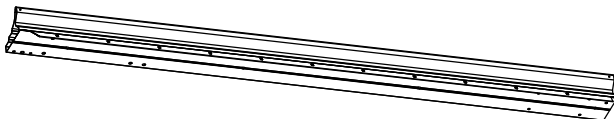
C (x2)



1739mm

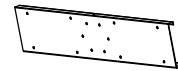
Sidewall Track

D3 (x2)



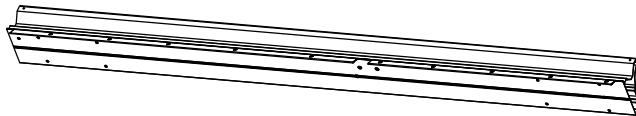
Beam

C1 (x2)



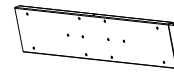
Union Bar

E (x6)



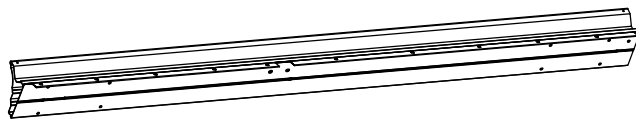
Beam

C2 (x2)



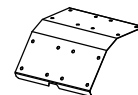
Union Bar

E0 (x2)



Beam

C3 (x2)



Outside Roof Cover

E1 (x1)



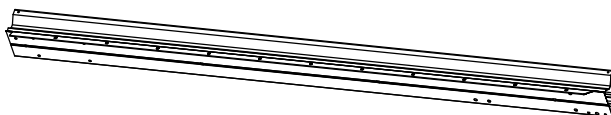
Beam

C4 (x2)



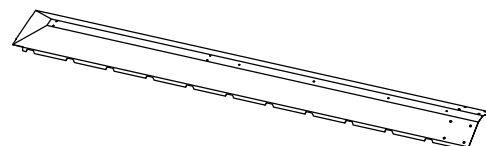
Solidifying Bar

E2 (x1)



Beam

C5 (x2)



Outside Roof Cover

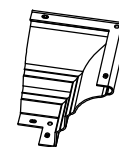
E3 (x2)



1583mm

Sidewall Track

D (x4)



Corner Roof Cover

F (x4)



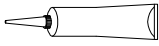
Joint Cover

G (x8)



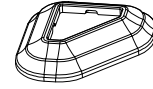
Base

K (x4)



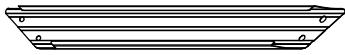
Silicone Sealant

H (x1)



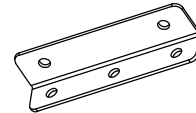
Base Cover

K1 (x4)



Corner Solidifying

I1 (x4)



Bracket

K2 (x8)



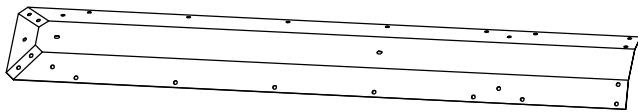
Corner Solidifying

I2 (x4)



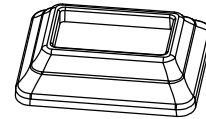
Base

K3 (x2)



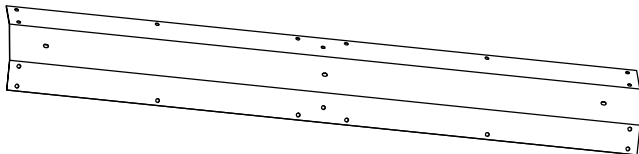
Inside Roof

J (x2)



Base Cover

K4 (x2)



Inside Roof

J1 (x1)



Corner Roof Tube Connector<sup>M</sup> (x4)

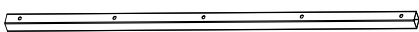


Inside Roof Cover Connector J2 (x2)



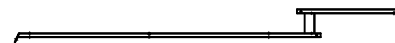
Corner Roof Tube

M1 (x4)



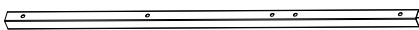
Solidifying Bar

J3 (x4)



Middle Roof Tube

N (x2)



Solidifying Bar

J4 (x4)



Middle Roof Tube

N1 (x8)



Middle Roof Tube

N2 (x2)



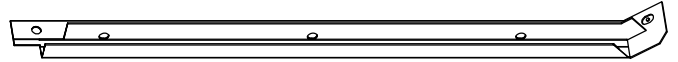
Finishing Bar

T1 (x2)



Finishing Bar

P (x2)



Finishing Bar

T2 (x2)



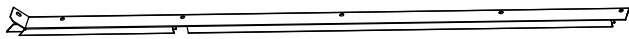
Finishing Bar

L1 (x2)



Finishing Bar

T3 (x8)



Finishing Bar

L2 (x2)



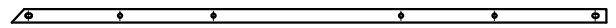
Solidifying Bar

U1 (x4)



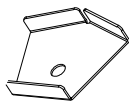
Finishing Bar

L3 (x2)



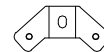
Solidifying Bar

U2 (x4)



Finishing End

Q (x8)



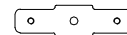
Bracket

U3 (x4)



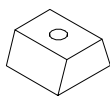
Finishing End

Q1 (x10)



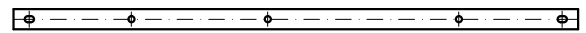
Bracket

U4 (x12)



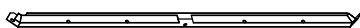
Black Rubber

S (x188)



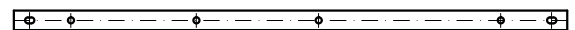
Solidifying Bar

U5 (x4)



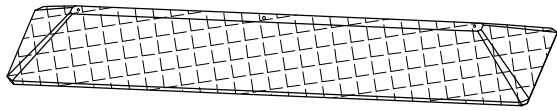
Finishing Bar

T (x2)



Solidifying Bar

U6 (x4)



O (x1)

Small Mesh



O1 (x2)

Plastic Bar



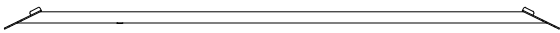
O2 (x4)

Plastic Bar



O3 (x4)

Plastic Bar



O7 (x5)

Solidifying Bar



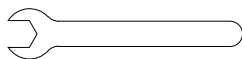
R1 (x5)

Hooks



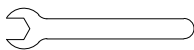
x1

Allen Key



x1

Wrench

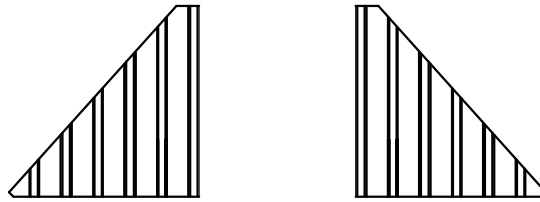


x1

Wrench

 <p>Plastic Clips</p> <p>Z x72</p>	 <p>M6x28</p> <p>5# x116</p>
 <p>Plastic Clips</p> <p>Z1 x6</p>	 <p>M6x45</p> <p>6# x8</p>
 <p>Plastic Clips</p> <p>Z2 x6</p>	 <p>M6x50</p> <p>7# x60</p>
 <p>Plastic Clips</p> <p>Z3 x2</p>	 <p>M5x16</p> <p>8# x8</p>
 <p>Plastic Clips</p> <p>Z4 x2</p>	 <p>ST4.8x13</p> <p>9# x32</p>
 <p>M6x16</p> <p>1# x353</p>	 <p>M6x25</p> <p>10# x4</p>
 <p>M6x20</p> <p>2# x36</p>	 <p>M6x12</p> <p>11# x52</p>
 <p>3# x16</p>	 <p>ST6.3*18</p> <p>12# x28</p>
 <p>Plastic Hooks</p> <p>4# x184</p>	

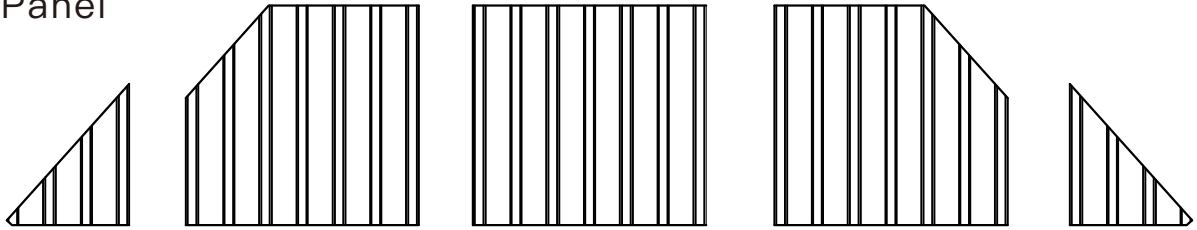
Roof Panel



V1 (x2)

V2 (x2)

Roof Panel



V3 (x2)

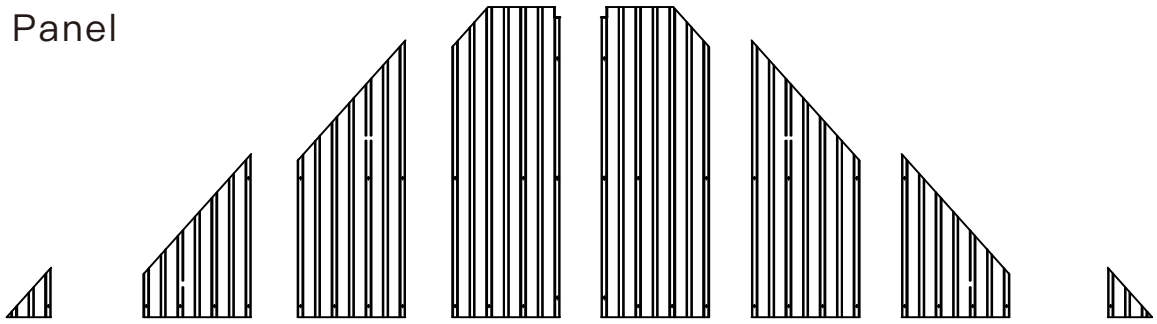
V4 (x2)

V5 (x12)

V6 (x2)

V7 (x2)

Roof Panel



W1 (x2)

W2 (x2)

W3 (x2)

W4 (x2)

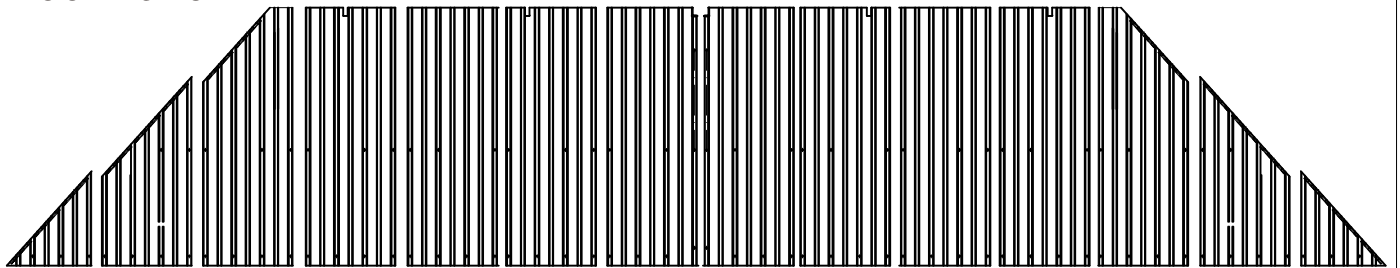
W5 (x2)

W6 (x2)

W7 (x2)

W8 (x2)

Roof Panel



X1 (x2)

X2 (x2)

X3 (x2)

X4 (x2)

X5 (x2)

X6 (x2)

X7 (x2)

X8 (x2)

X9 (x2)

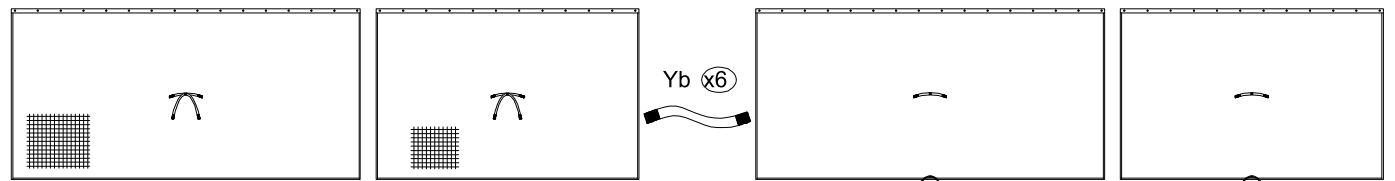
X10 (x2)

X11 (x2)

X12 (x2)

X13 (x2)

X14 (x2)



Y (x4)

Y1 (x2)

Yb (x6)

Ya (x4)

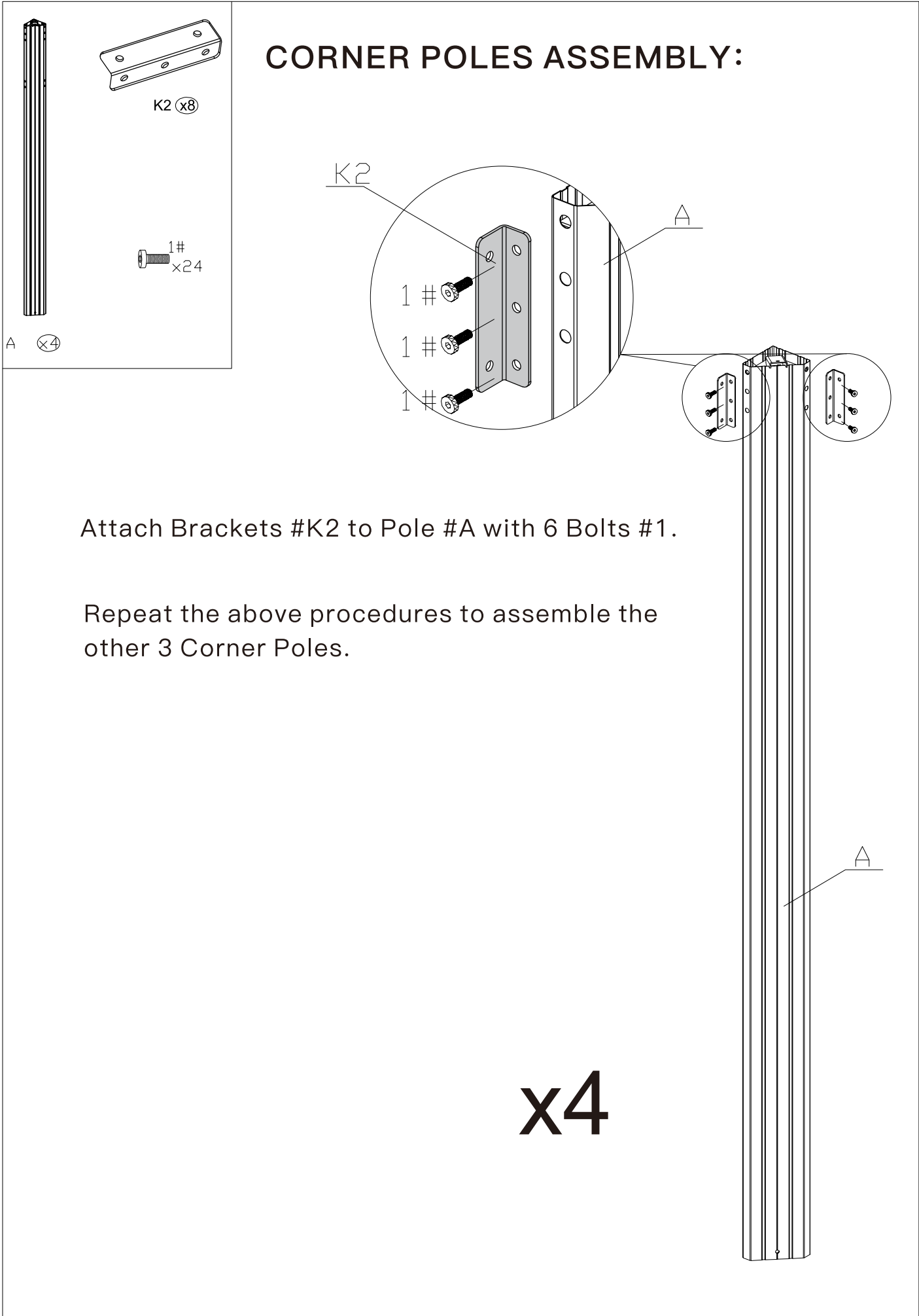
Y1a (x2)

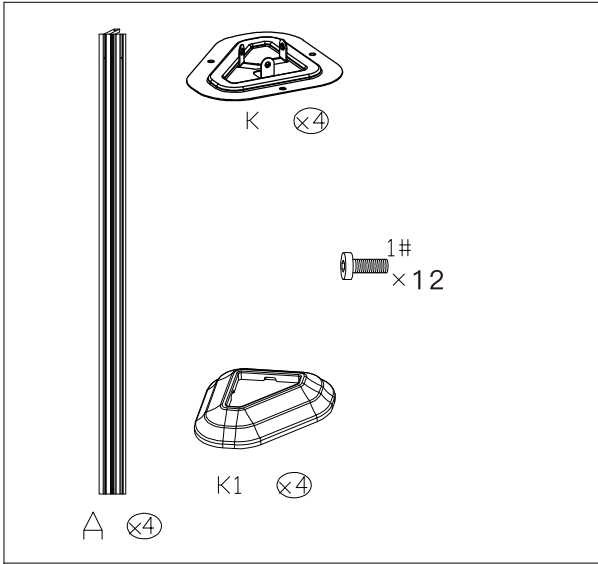
Mosquito Netting

Velcro Straps

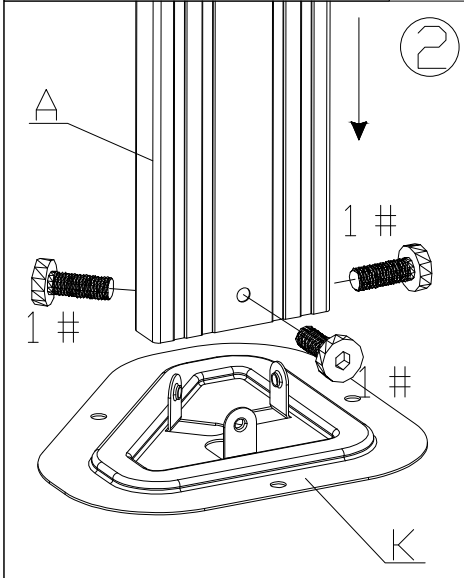
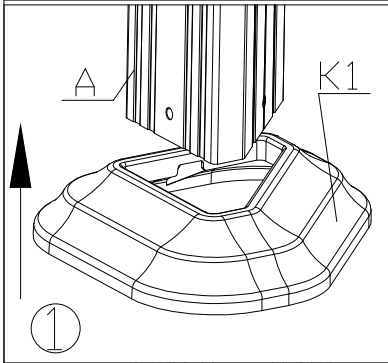
Curtains

# CORNER POLES ASSEMBLY:



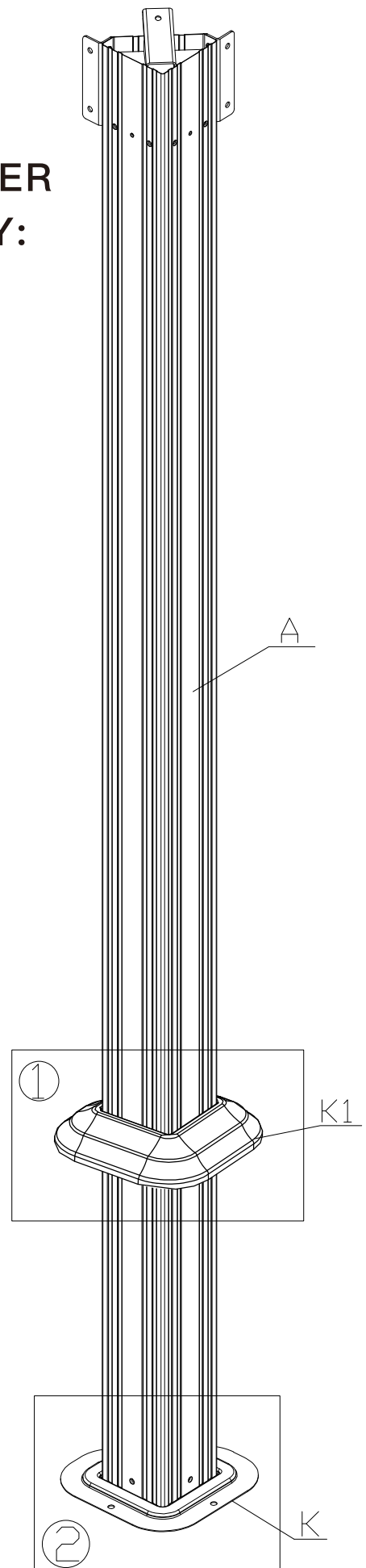


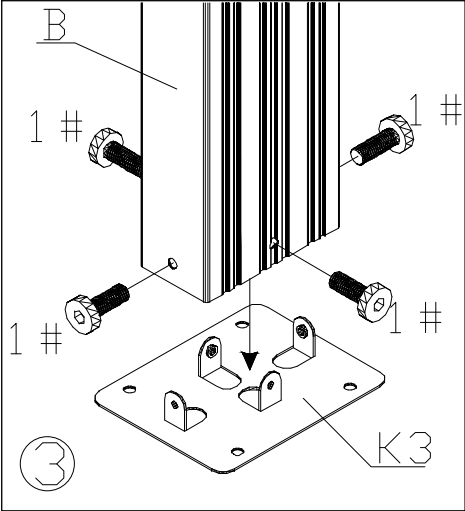
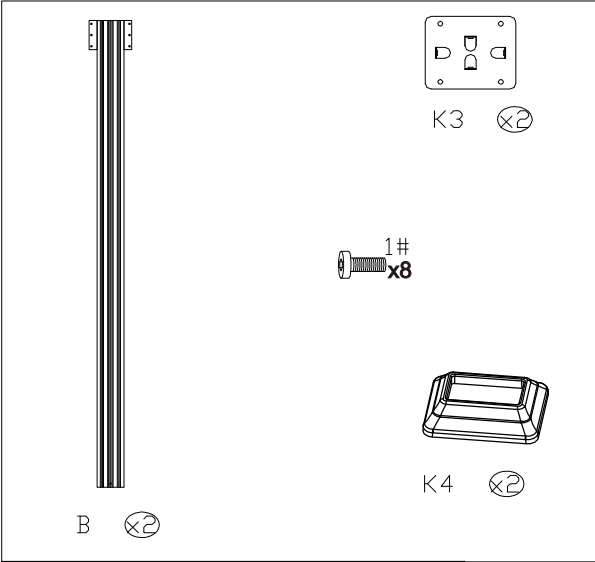
## BASE COVER ASSEMBLY:



1. Put on Base Cover #K1.
2. Attach Base #K to Pole #A with 3 Bolts #1.

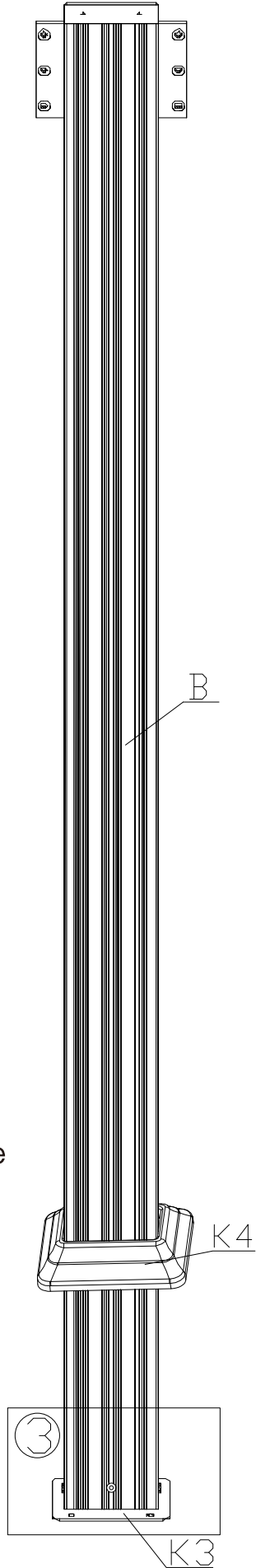
Repeat the above procedures to assemble the other 3 Corner Poles.



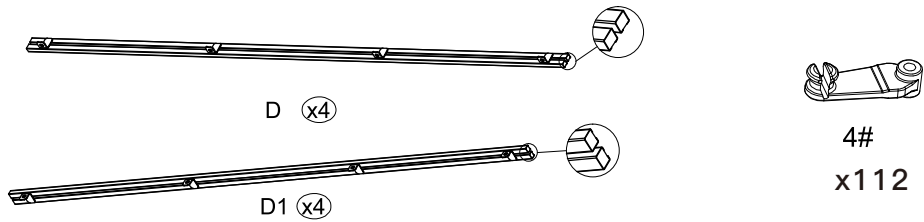


1. Put on Base Cover #K4.
2. Attach Base #K3 to the Middle Post #B with 4 Bolts #1.

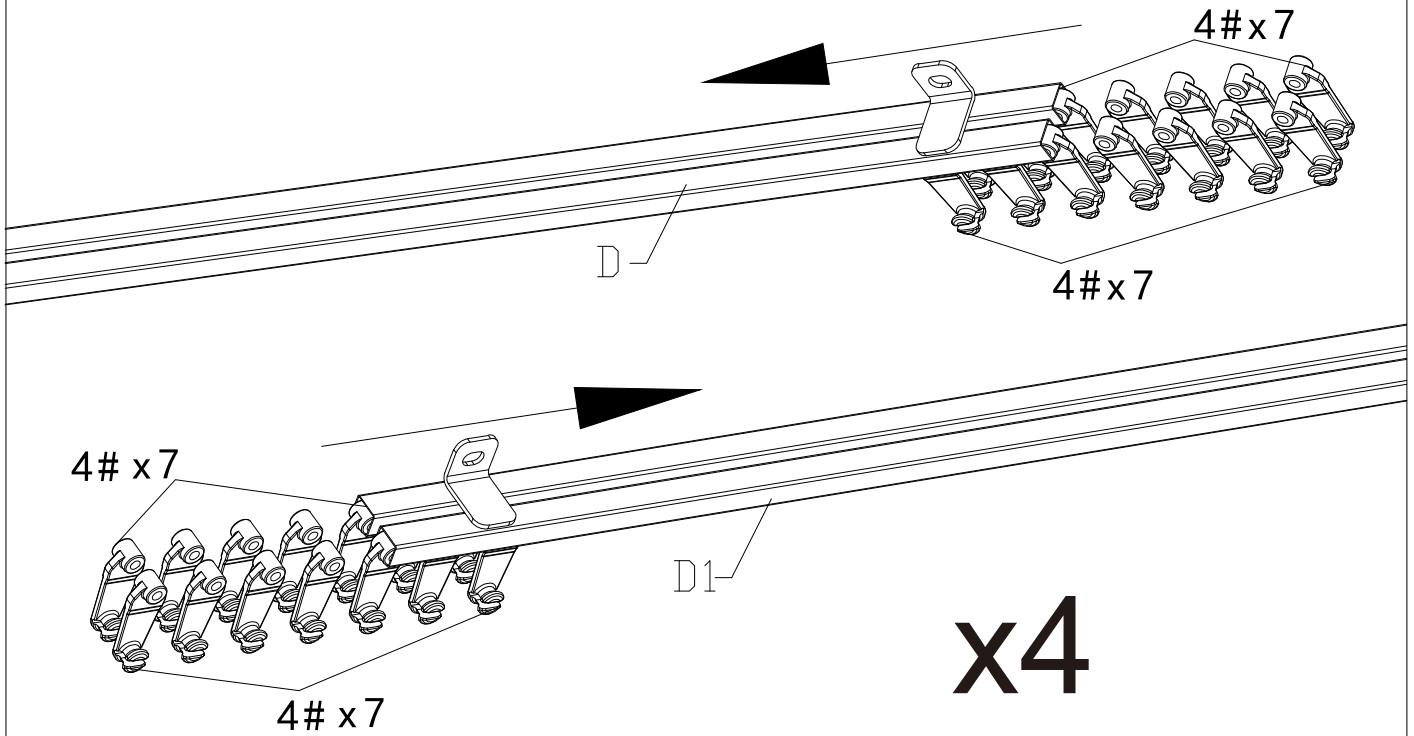
Repeat the above procedures to assemble another Pole #B.



x2

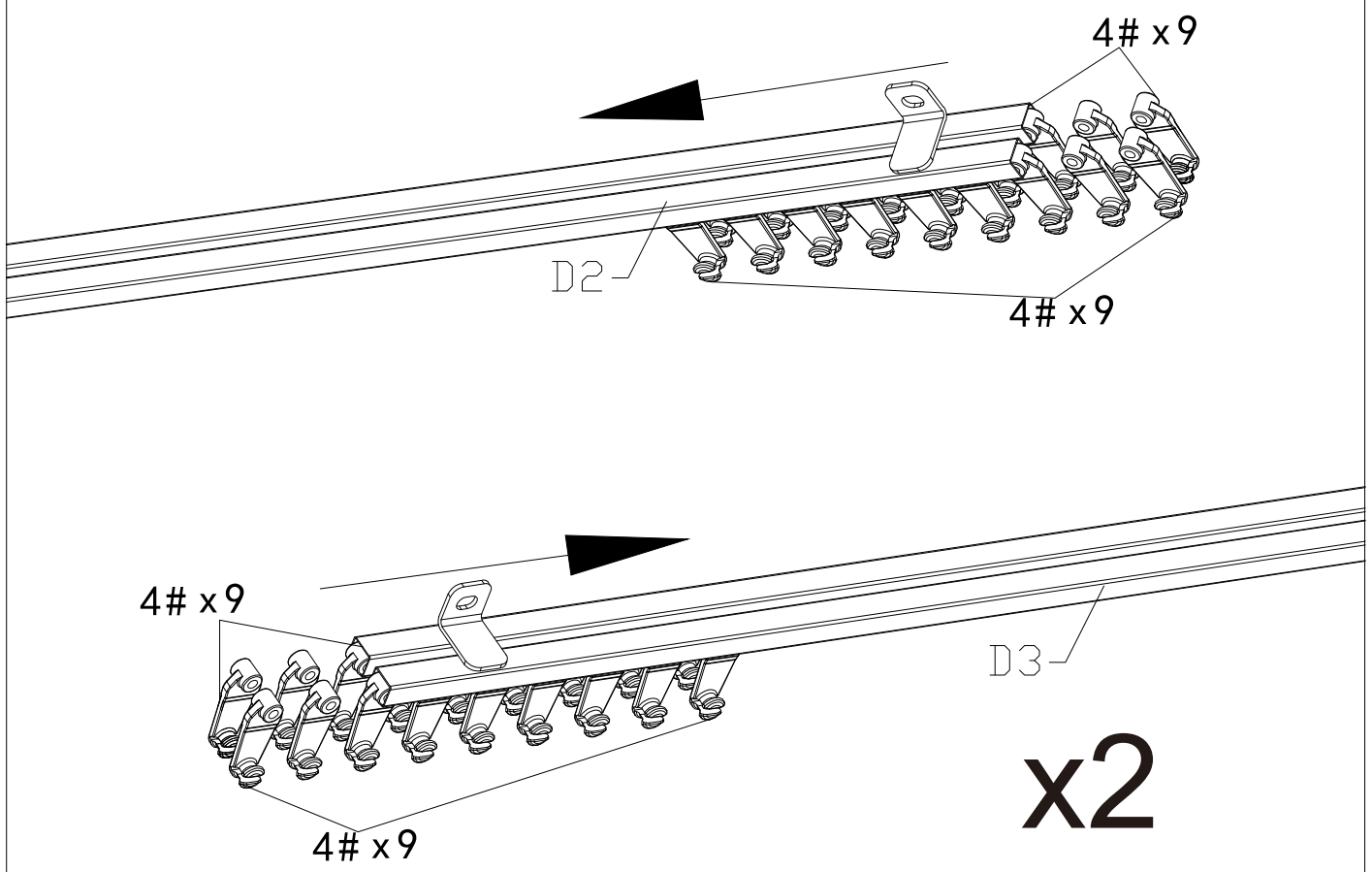
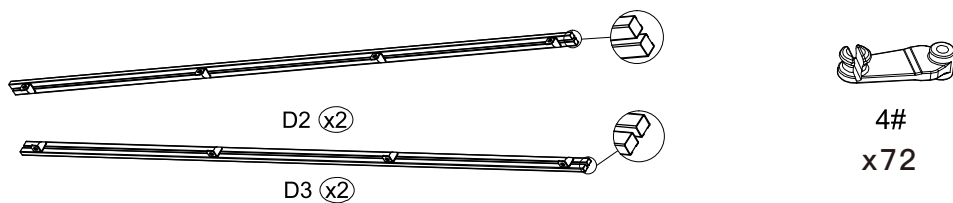


**PLASTIC HOOKS ASSEMBLY:**



1.Slide the Plastic Hooks to the double rail track #D (Each slot should slide 7 hooks) .  
Repeat the above procedure for the other tracks #D.

2.Slide the Plastic Hooks to the double rail track #D1 (Each slot should slide 7 hooks) .  
Repeat the above procedure for the other tracks #D1.

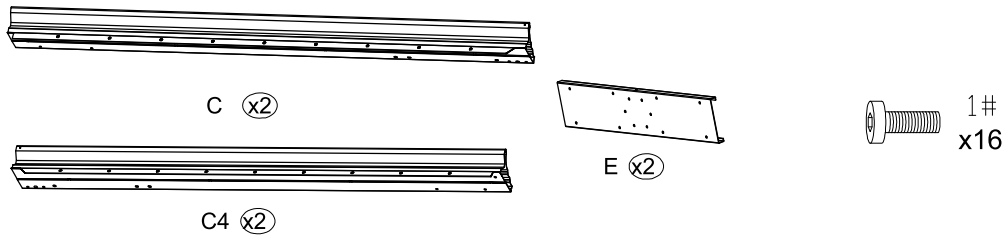


3. Slide the Plastic Hooks to the double rail track #D2 (Each slot should slide 9 hooks) .

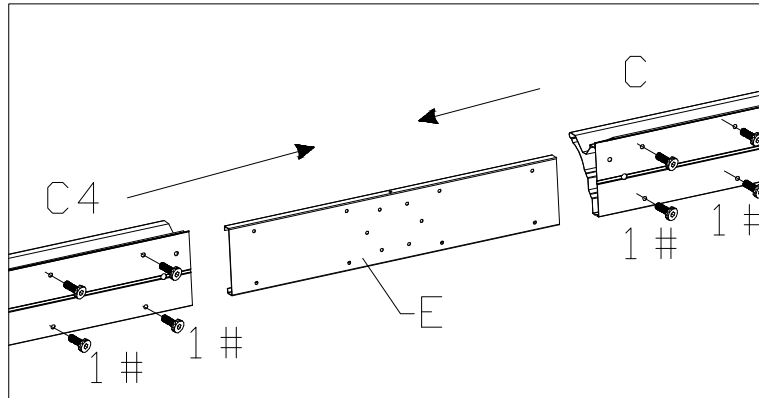
Repeat the above procedure for the other tracks #D2.

4. Slide the Plastic Hooks to the double rail track #D3 (Each slot should slide 9 hooks) .

Repeat the above procedure for the other tracks #D3.

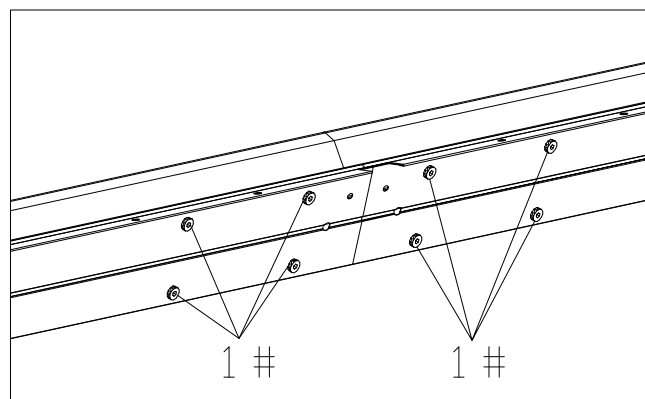


## BEAM ASSEMBLY:

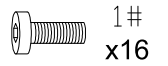


1. Insert Union Bar #E into Beam #C4, and secure with 4 Bolts #1.
2. Insert the other side of Union Bar #E into Beam #C3 and secure with 4 Bolts #1.

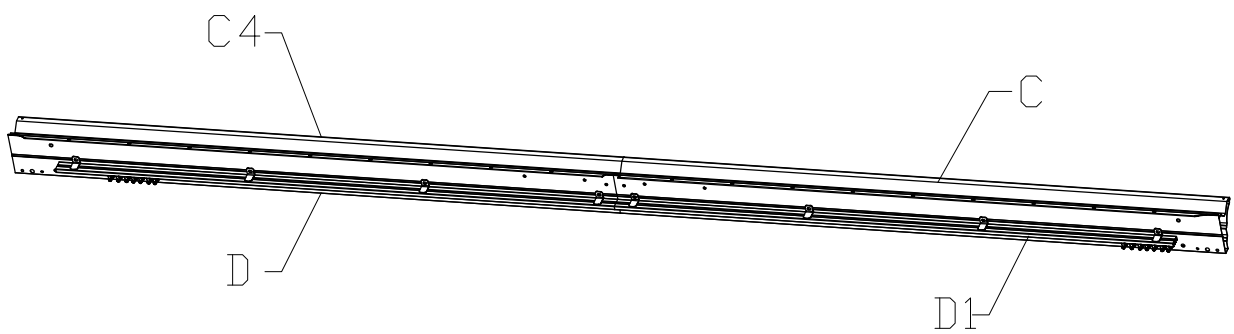
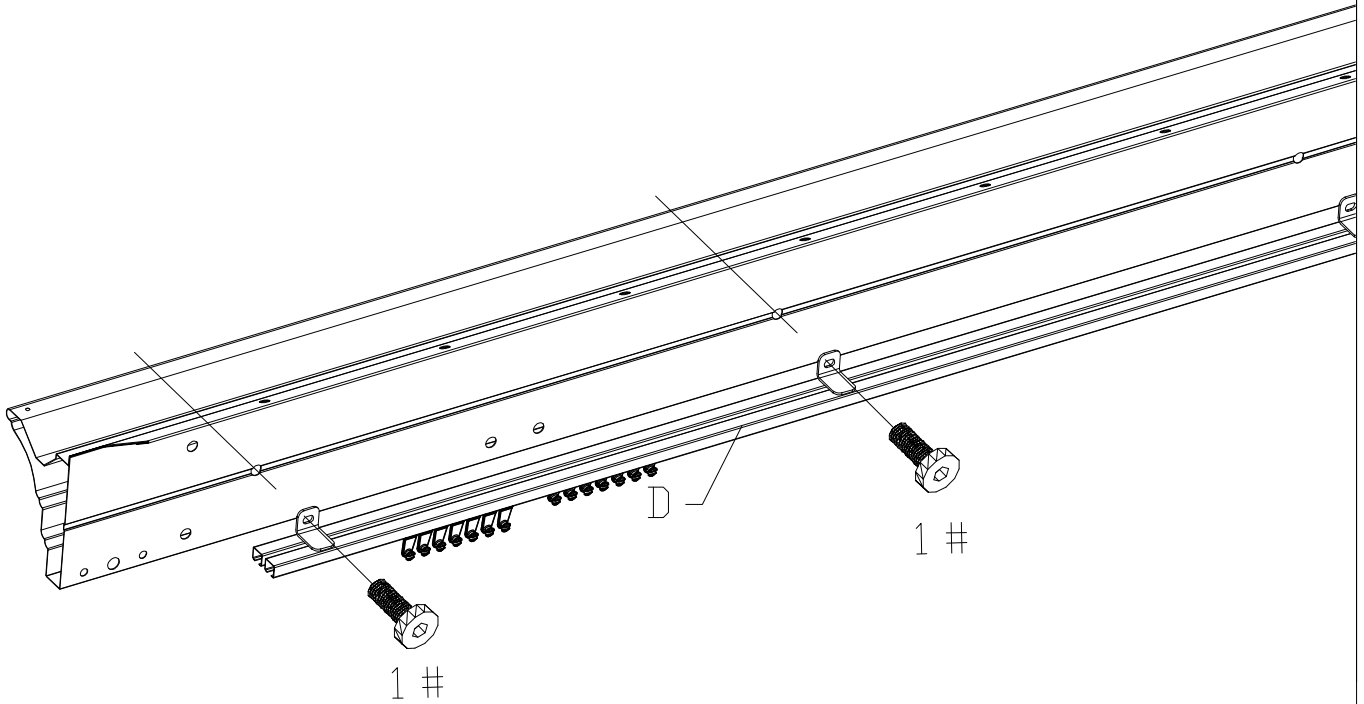
Repeat the above procedures to assemble the other Beam #C4 and #C3.



TIPS: It's a normal situation that there's a gap between the 2 beams, please use silicone sealant (part #H) and Joint Cover #G to affix the gap. (see P13)

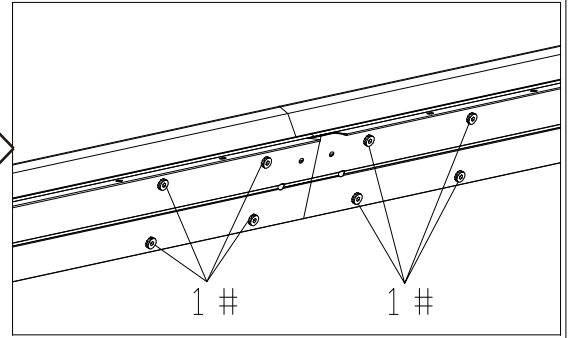
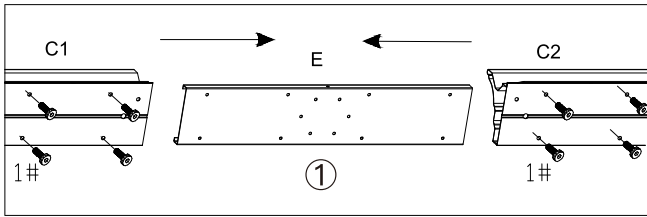
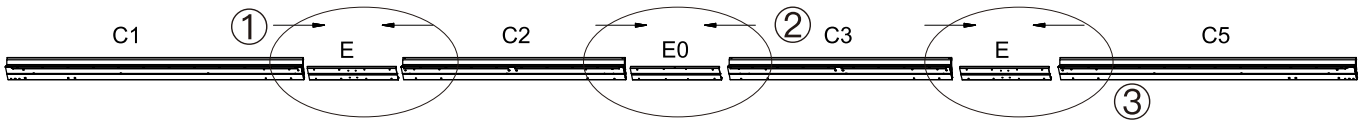
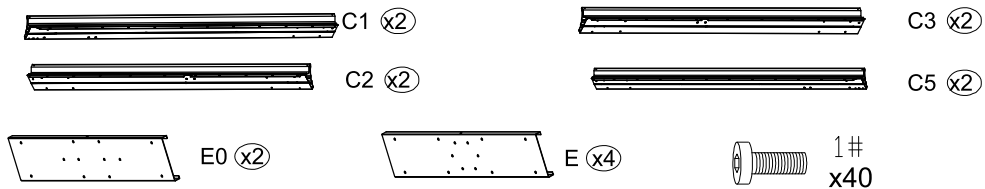


## SIDEWALL TRACK ASSEMBLY:

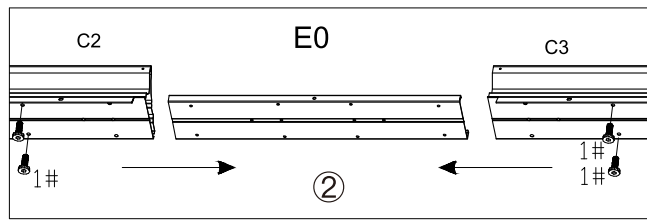


1. Secure Sidewall Track #D to Beam #C4 using 4 Bolts #1.
2. Secure Sidewall Track #D1 to Beam #C using 4 Bolts #1.

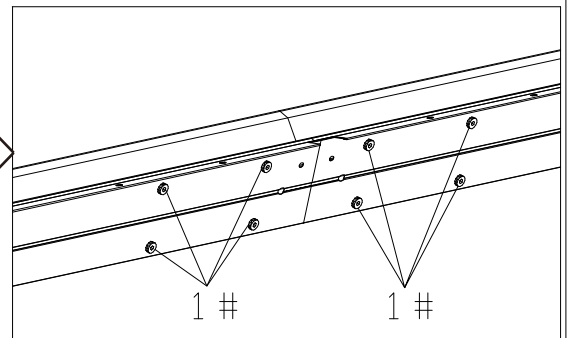
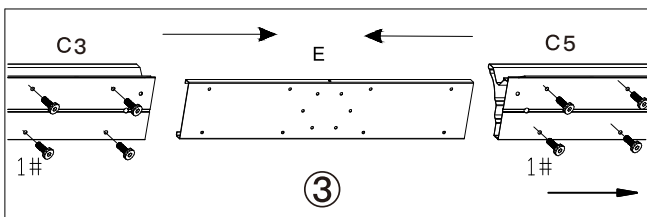
Repeat the above procedures for the other tracks #D and #D1 .



1. Use Part #E to connect Part #C1 and Part #C2, then secure with 8 Bolts #1.

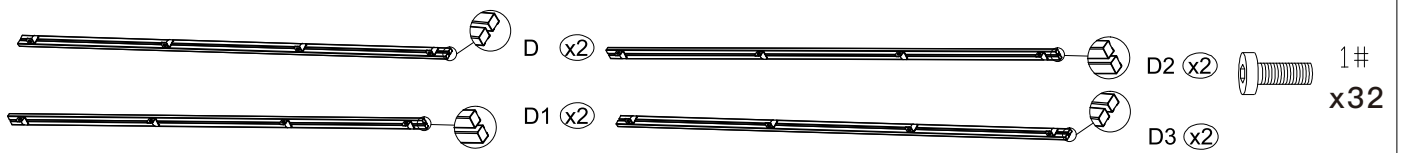


2. Use Part #E0 to connect Part #C2 and Part #C3, then secure with 4 Bolts #1.

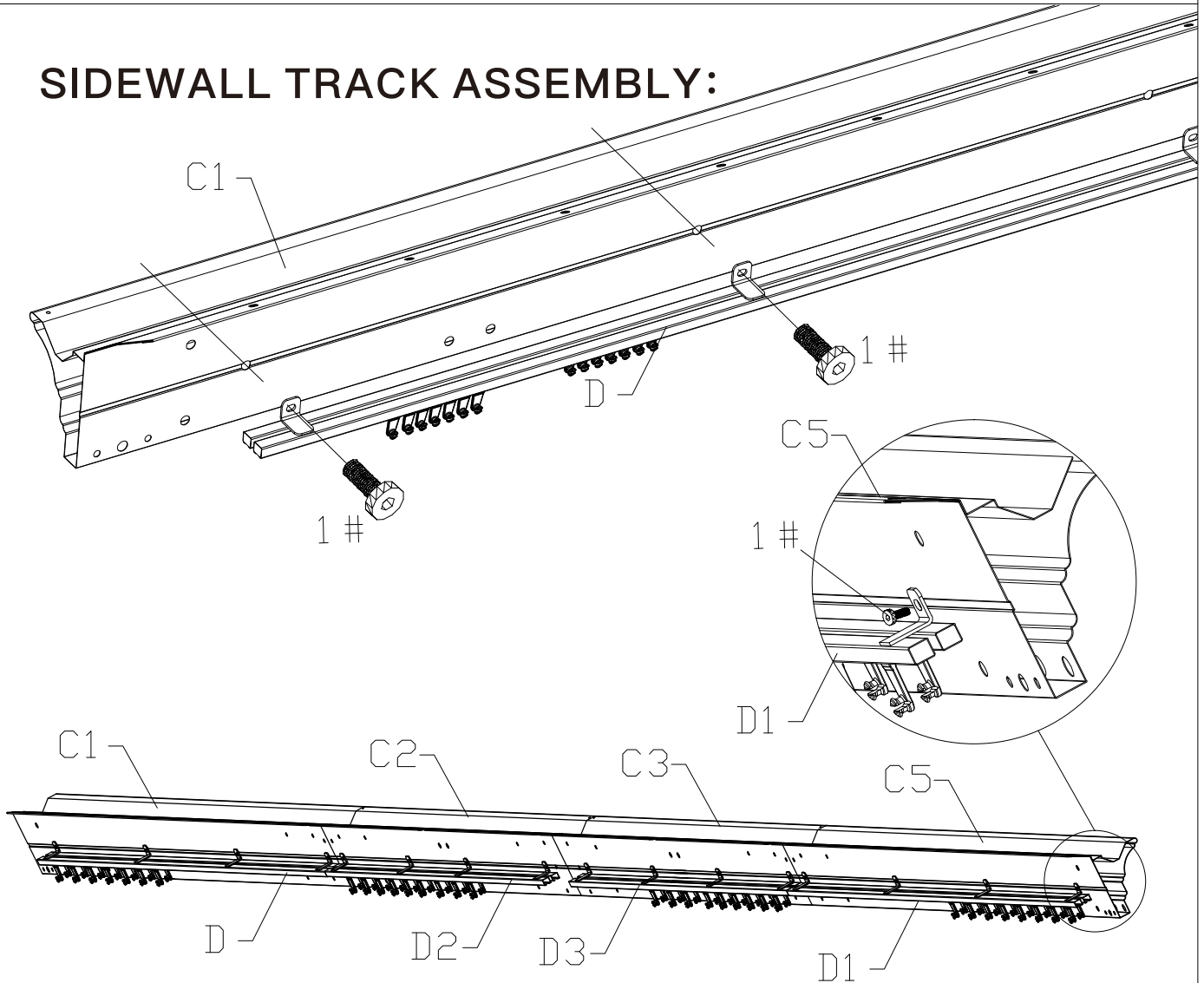


3. Use Part #E to connect Part #C3 and Part #C5, then secure with 8 Bolts #1.

Repeat the above procedures to assemble the other Beams #C1, #C2, #C3 and #C5.



## SIDEWALL TRACK ASSEMBLY:

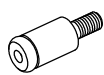


1. Secure Sidewall Track #D to Beam #C1 using 4 Bolts #1.
2. Secure Sidewall Track #D2 to Beam #C2 using 4 Bolts #1.
3. Secure Sidewall Track #D3 to Beam #C3 using 4 Bolts #1.
4. Secure Sidewall Track #D1 to Beam #C5 using 4 Bolts #1.

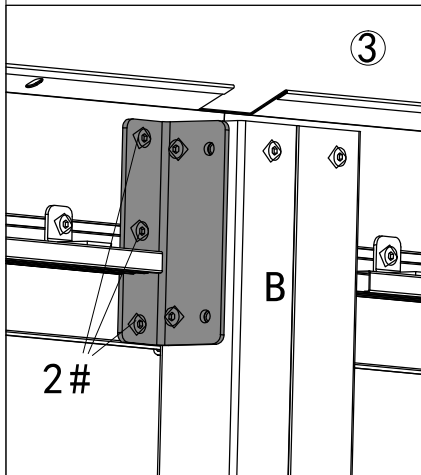
Repeat the above procedures for the other tracks #D, #D2, #D3 and #D1.



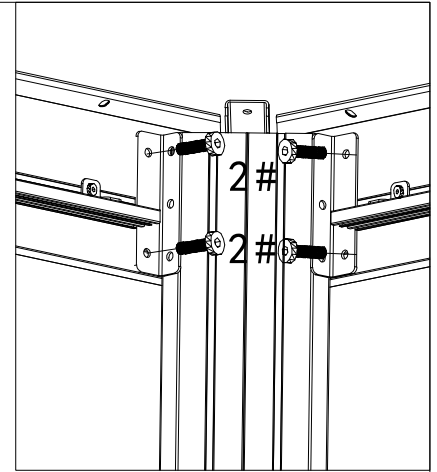
2#  
x28



3#  
x16

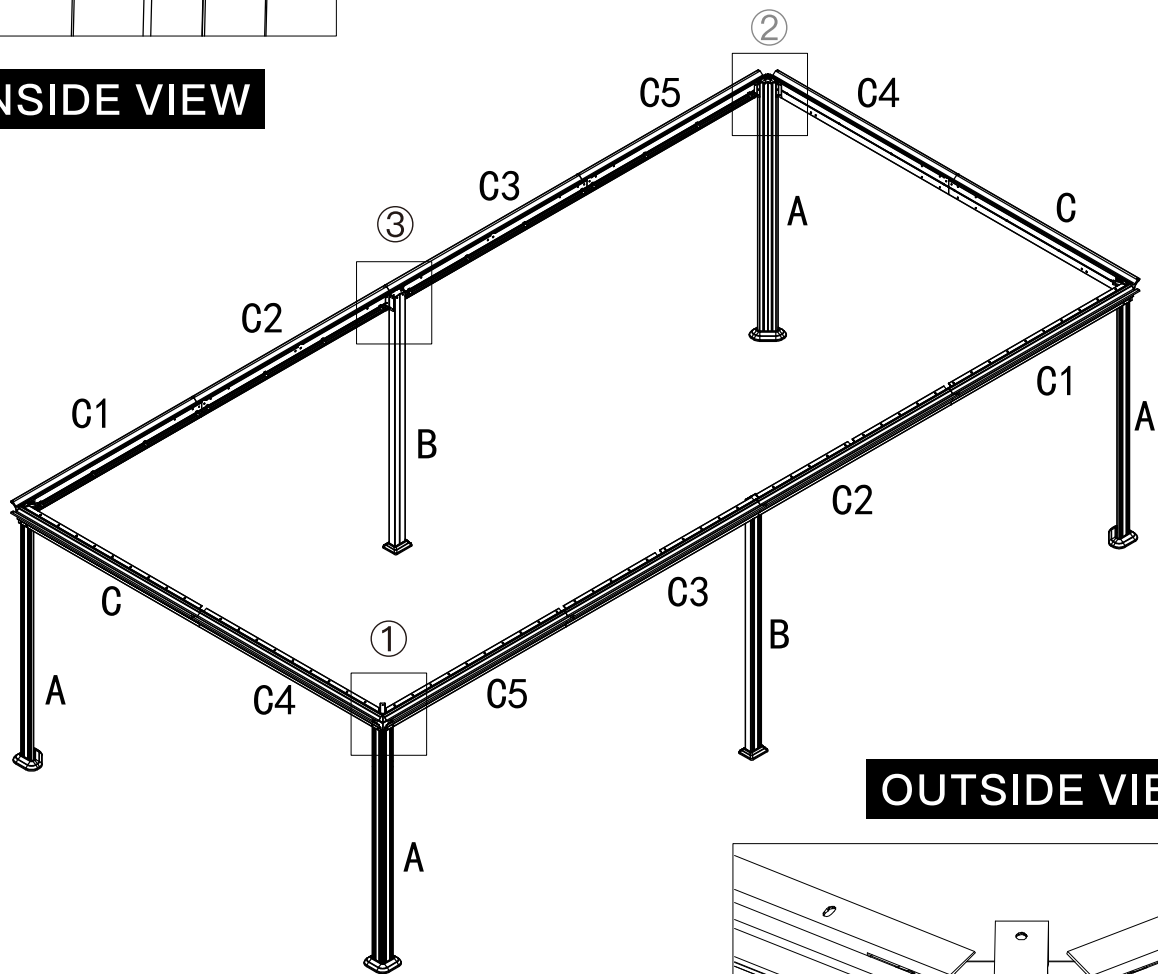


### FRAME ASSEMBLY:

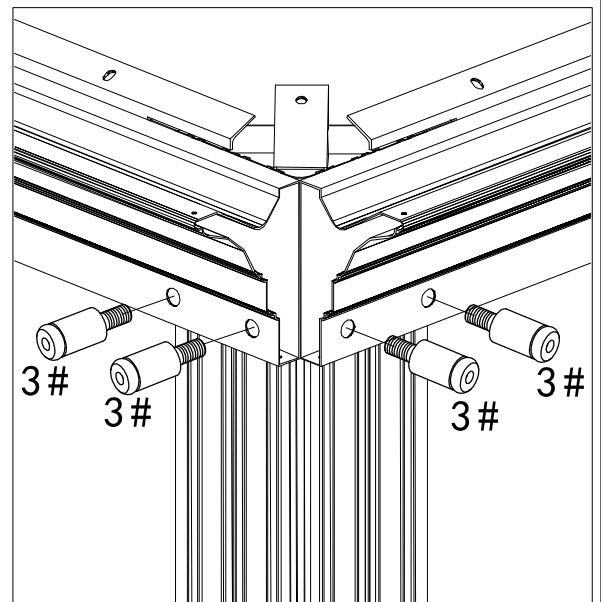


**INSIDE VIEW**

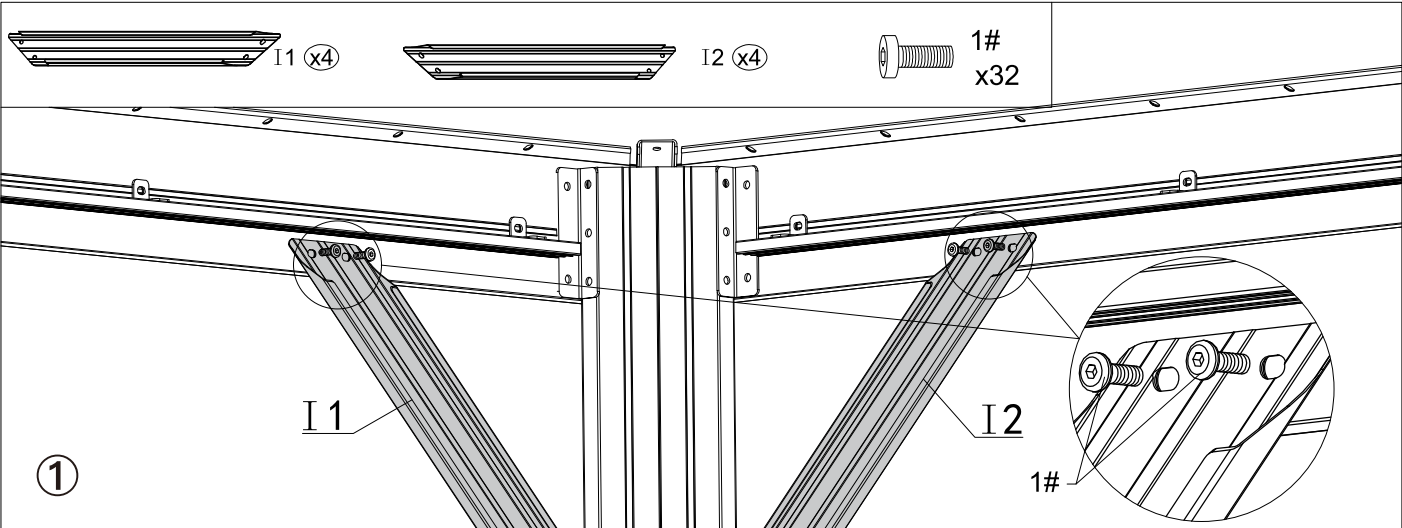
**INSIDE VIEW**



**OUTSIDE VIEW**

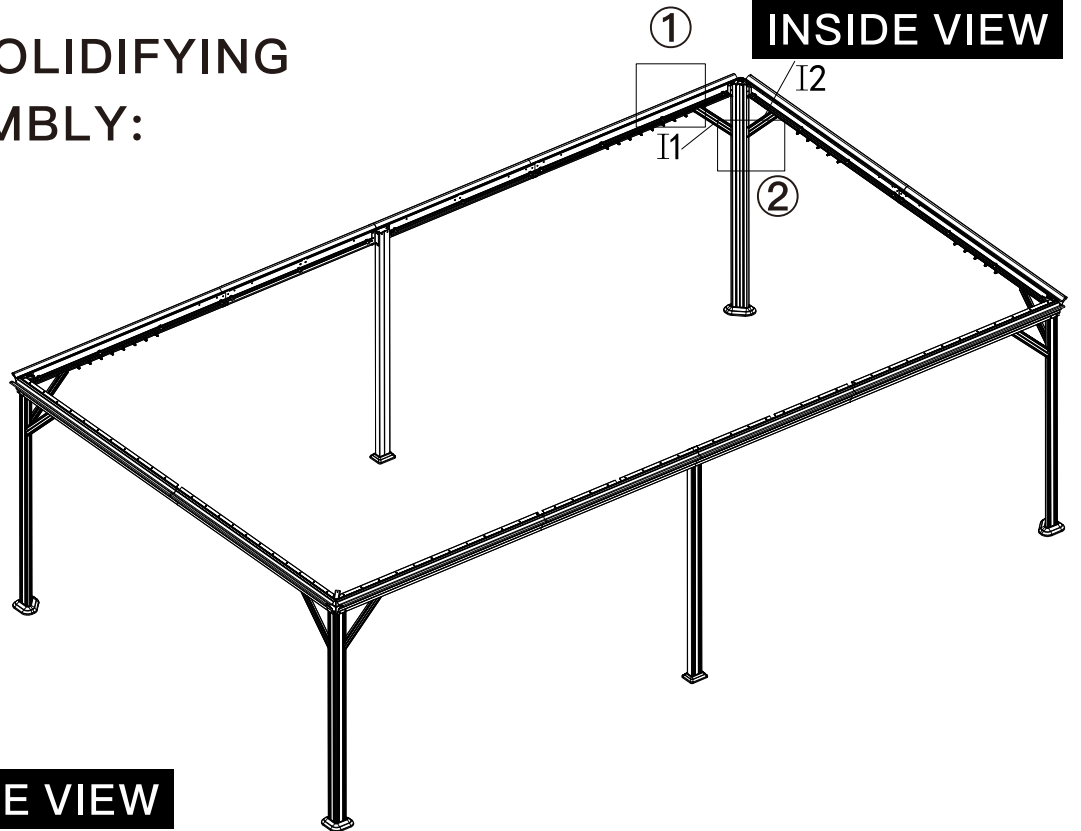


Please don't tighten all bolts.

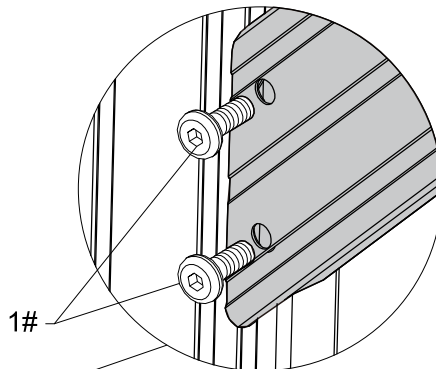
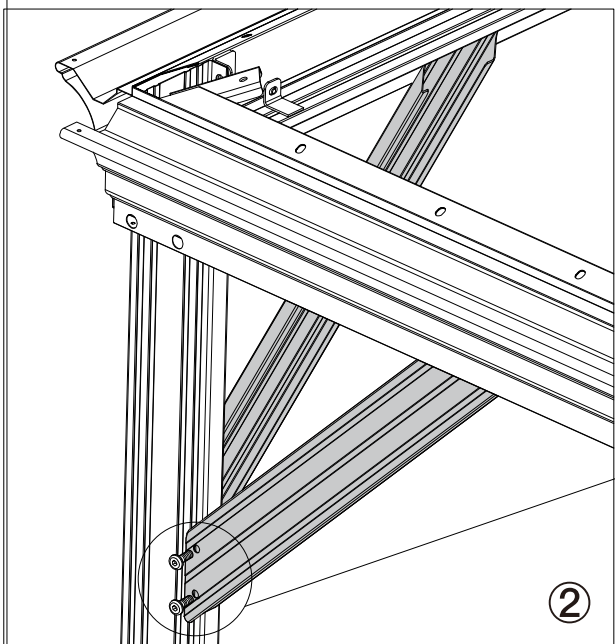


**CORNER SOLIDIFYING  
BAR ASSEMBLY:**

**INSIDE VIEW**



**OUTSIDE VIEW**



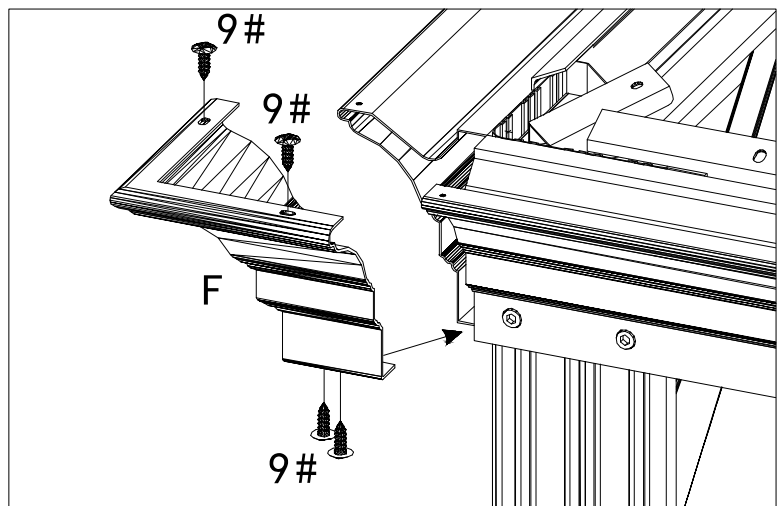
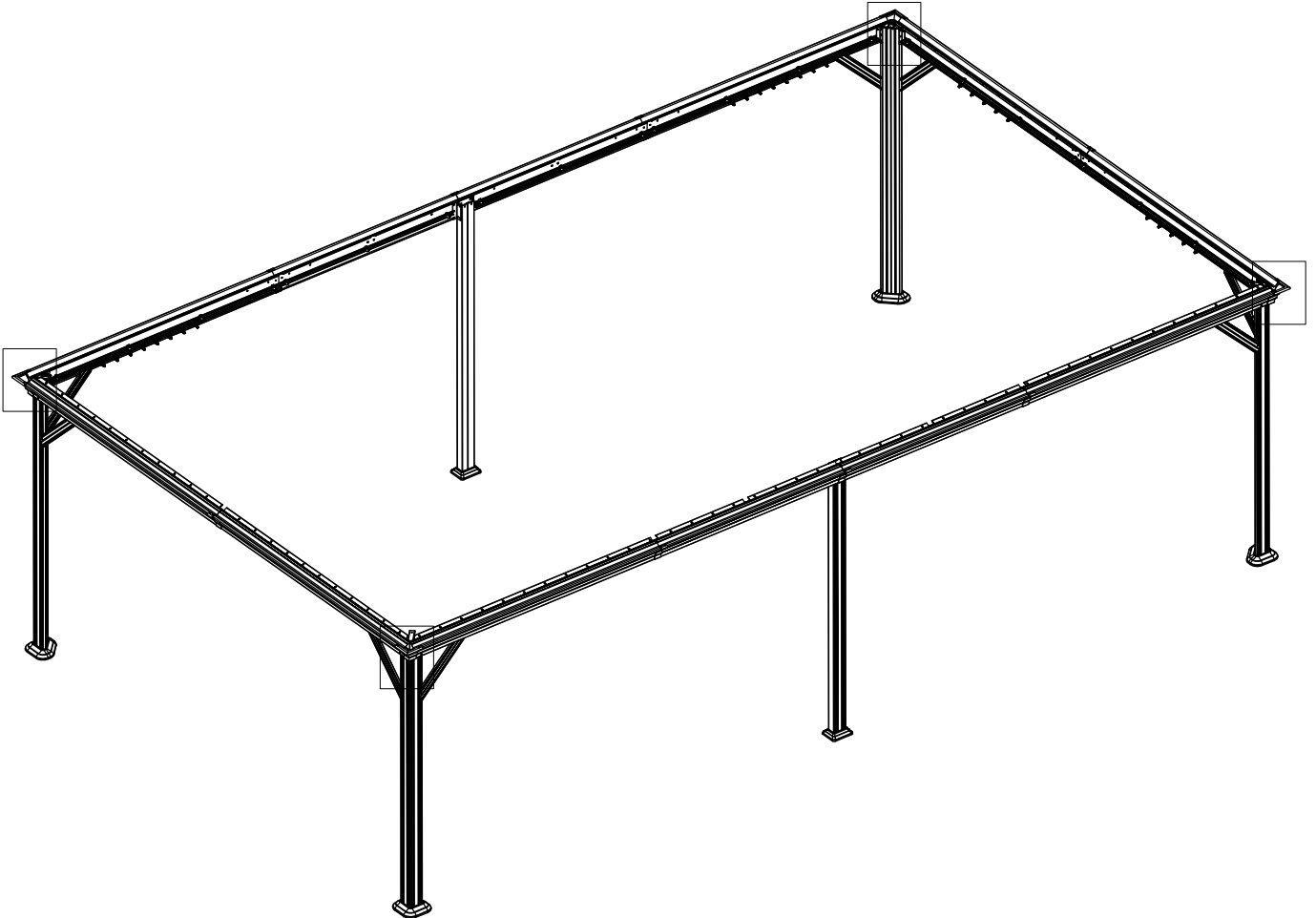


F x4



9#  
x16

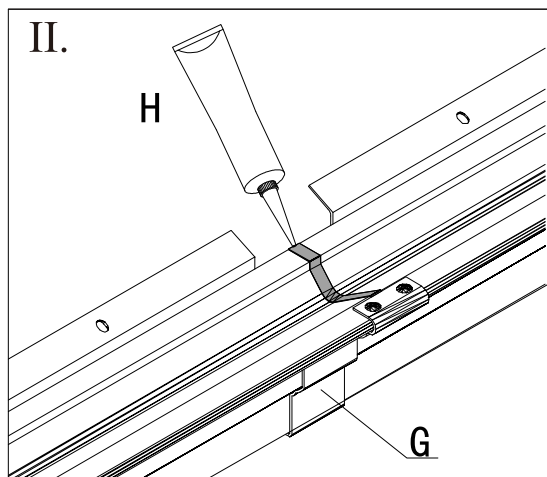
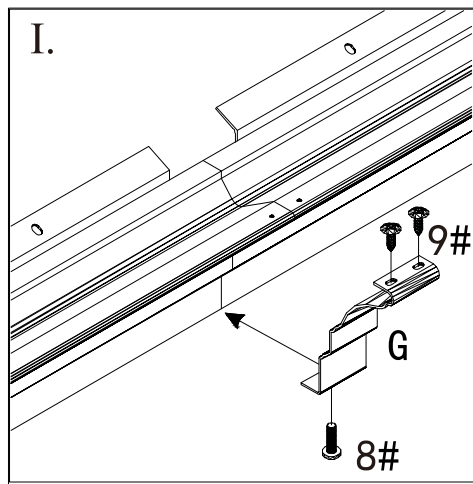
# CORNER COVER & JOINT COVER ASSEMBLY:

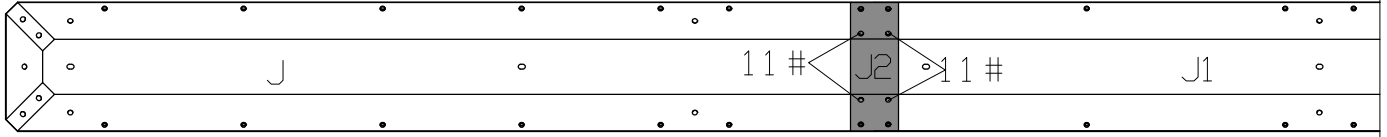
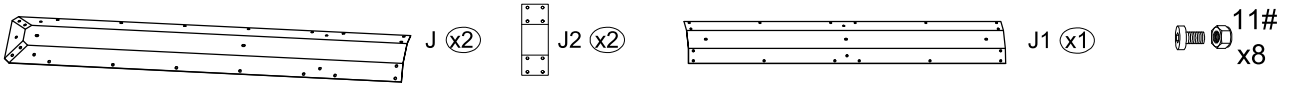




8#  
x8

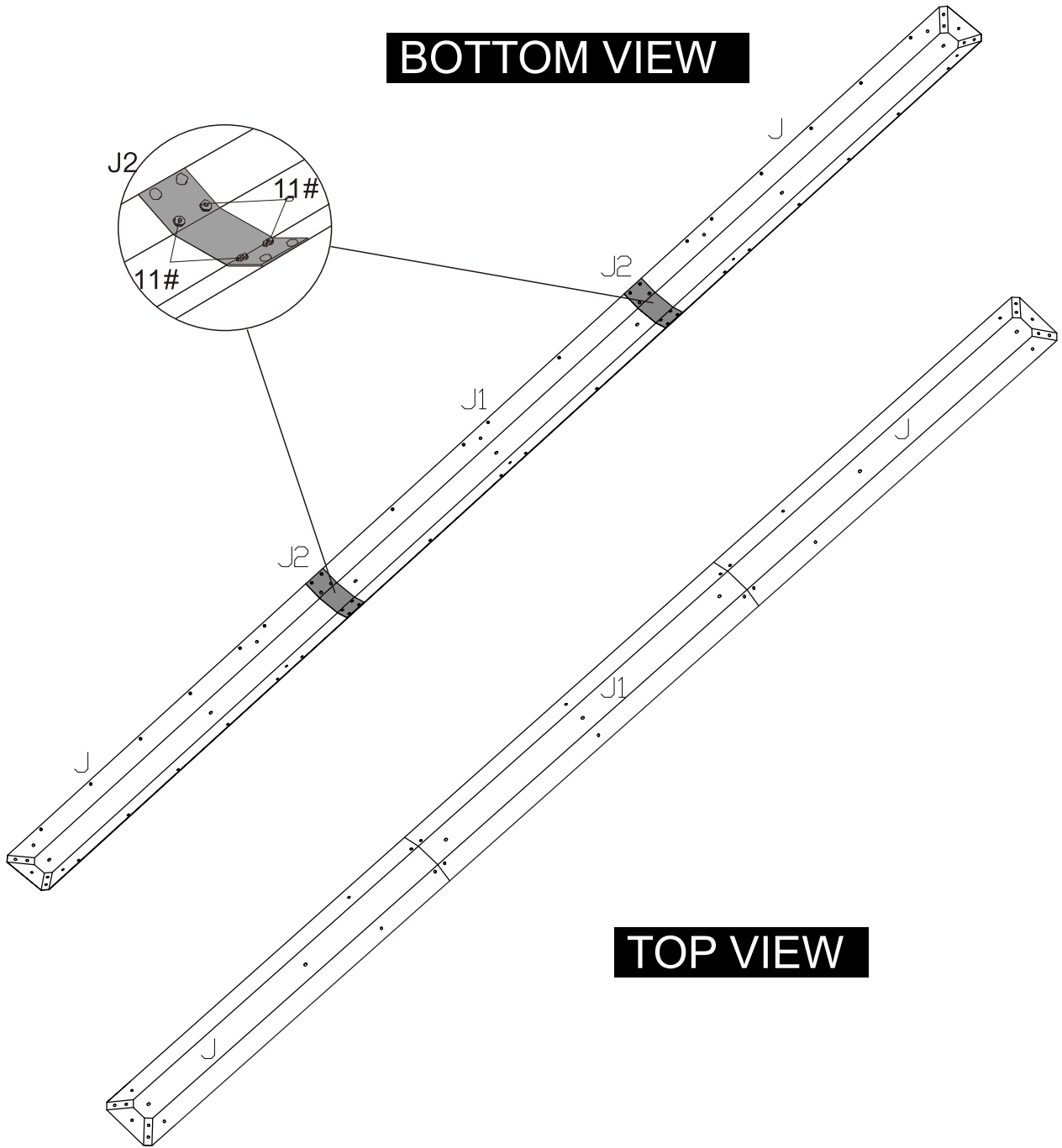
9#  
x16

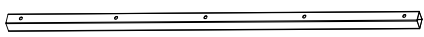




**INSIDE ROOF COVER ASSEMBLY:**

**BOTTOM VIEW**



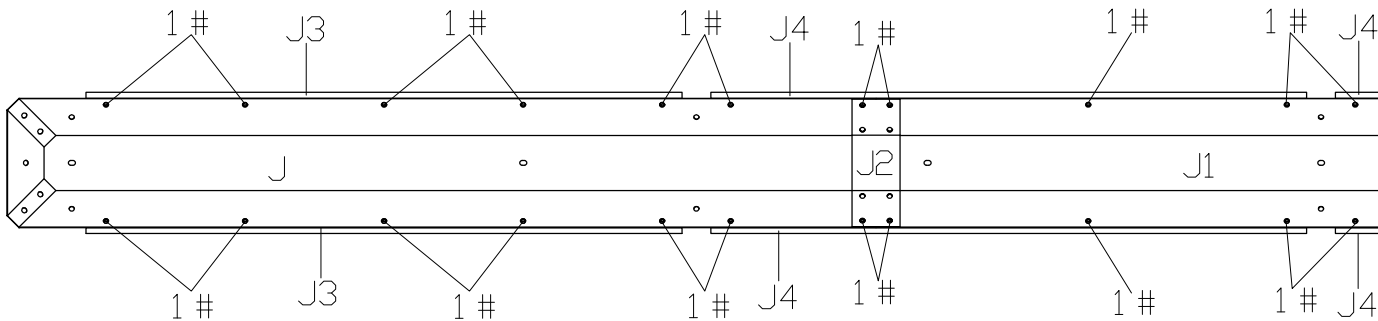


J3 (x4)

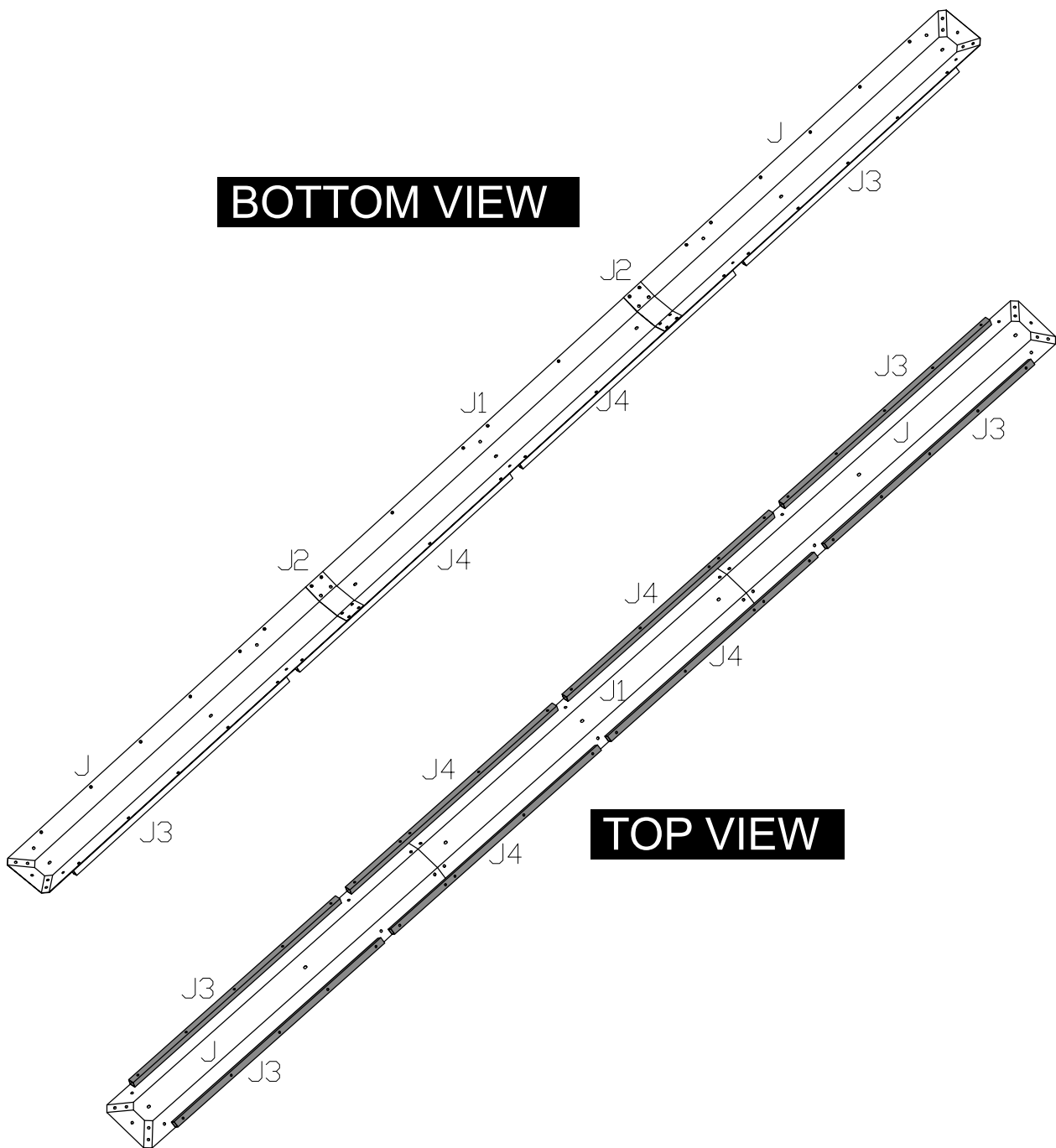


J4 (x4)

1#  
x40



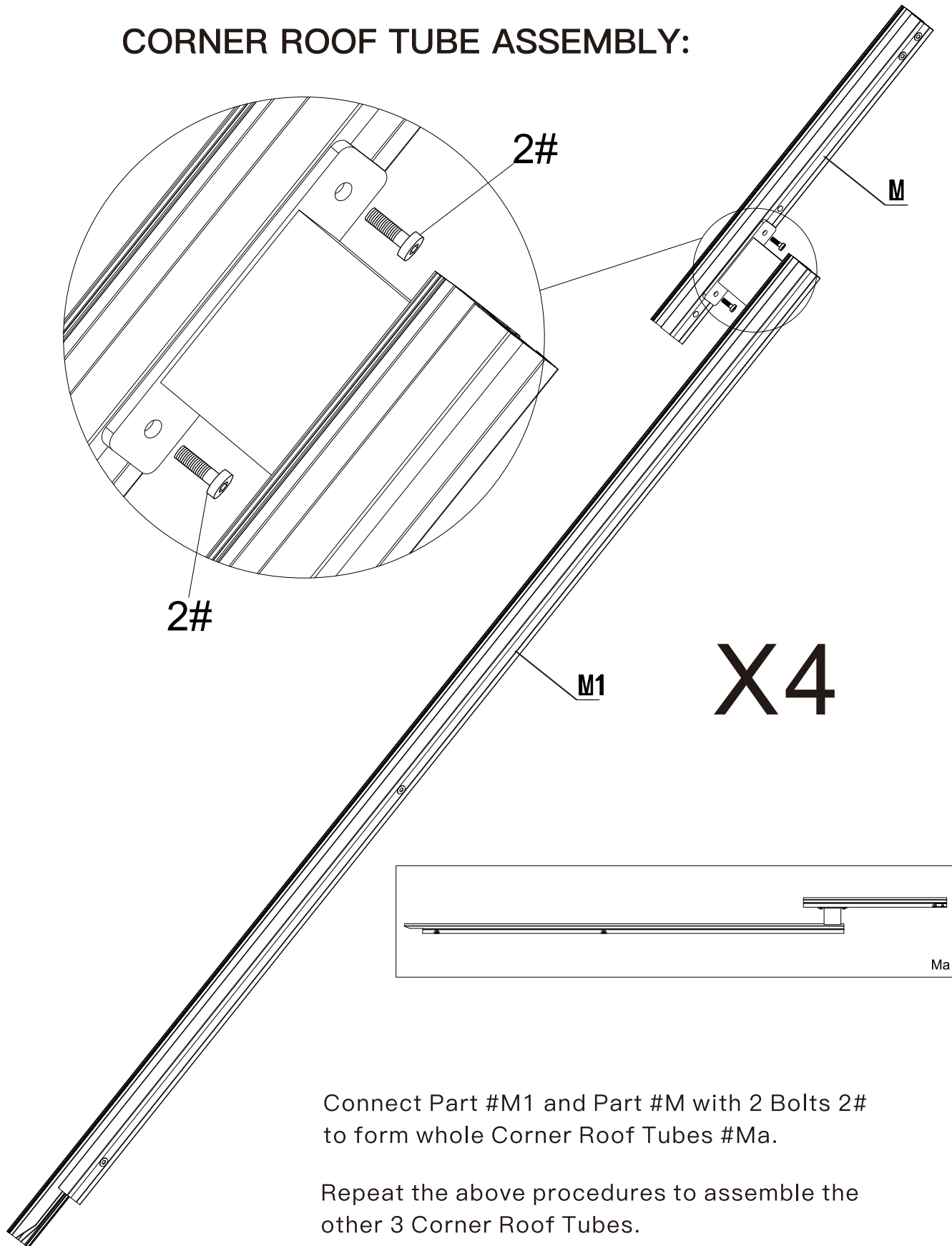
### BOTTOM VIEW



### TOP VIEW

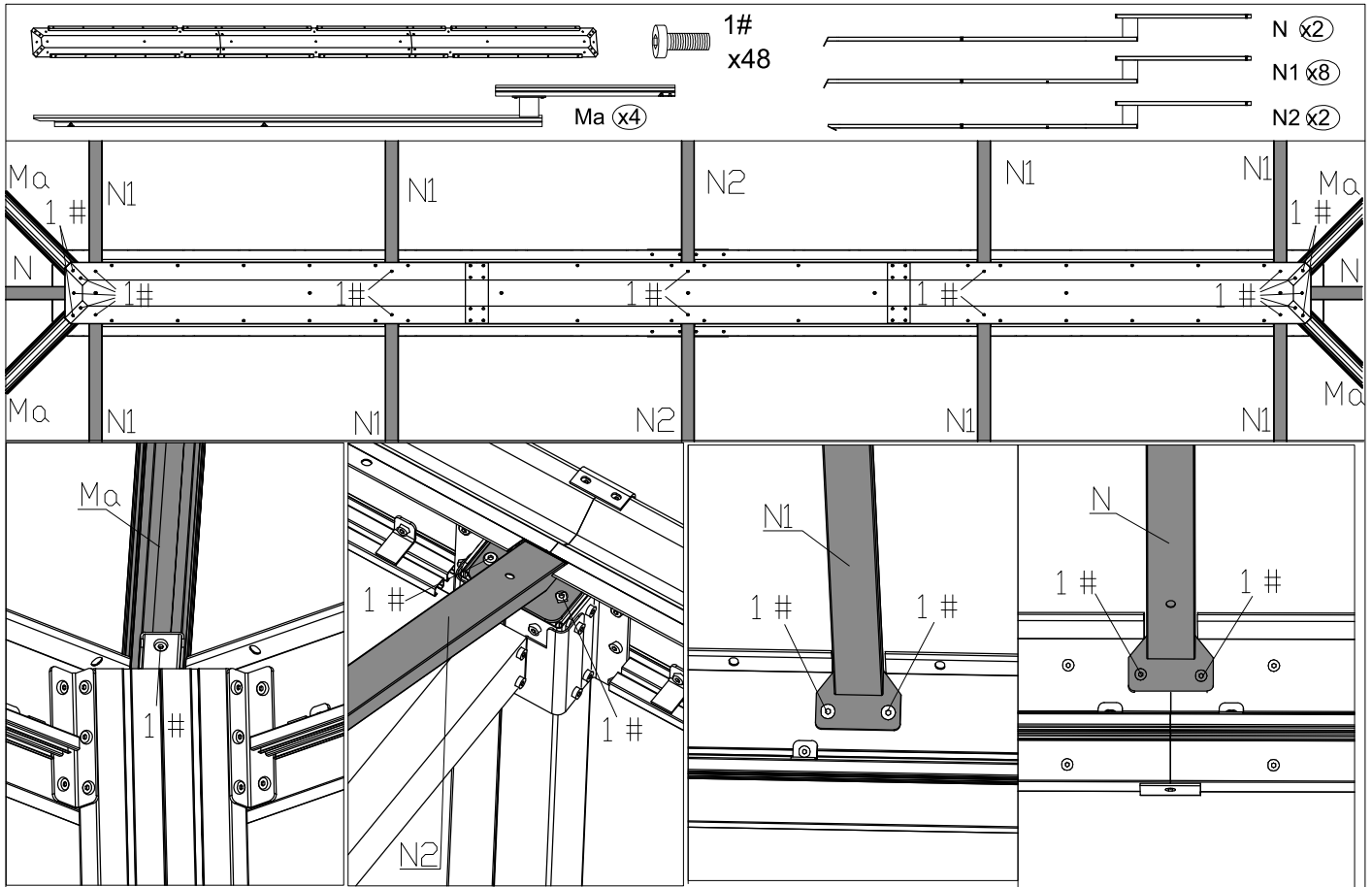


### CORNER ROOF TUBE ASSEMBLY:

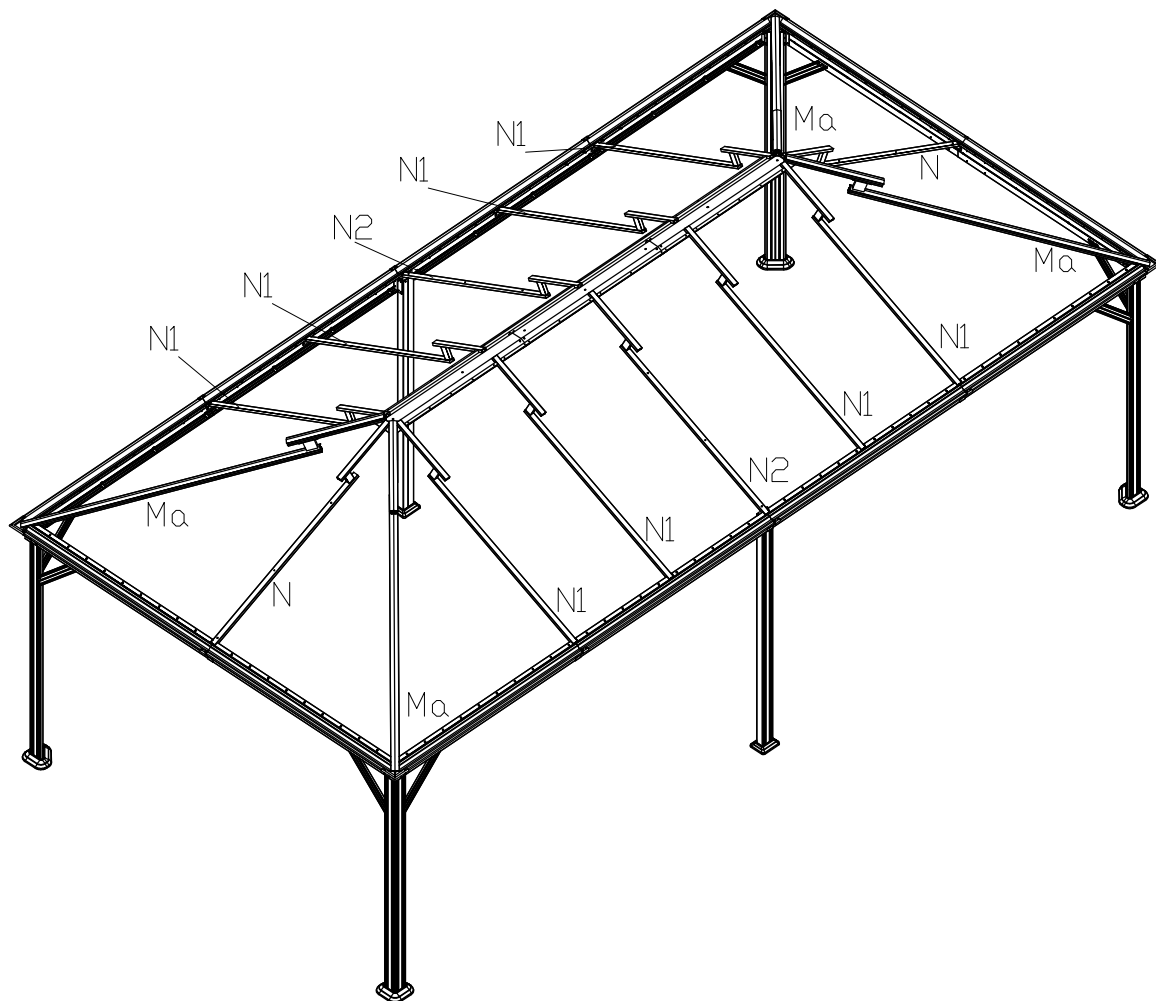


Connect Part #M1 and Part #M with 2 Bolts 2# to form whole Corner Roof Tubes #Ma.

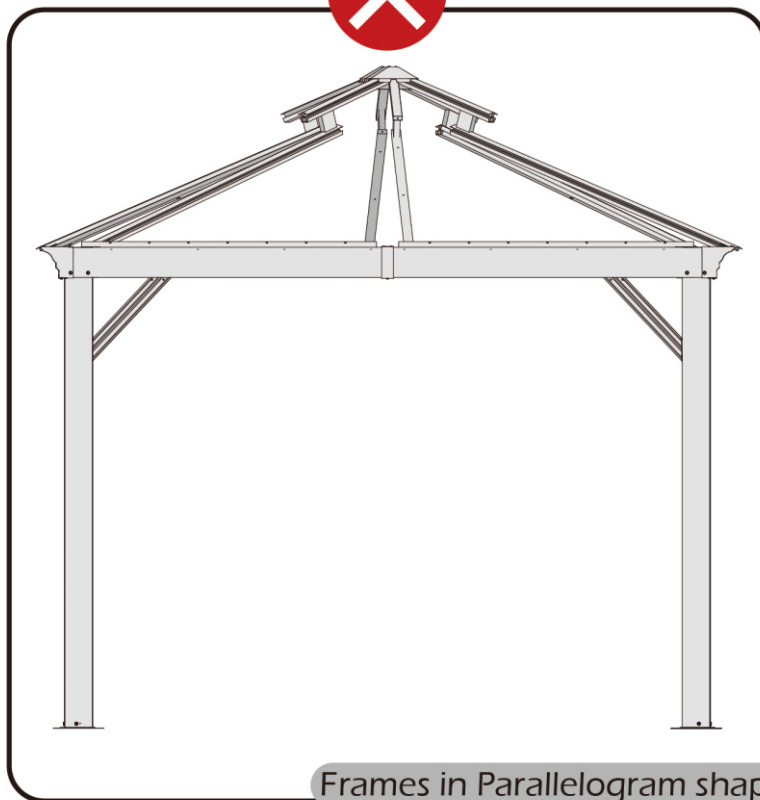
Repeat the above procedures to assemble the other 3 Corner Roof Tubes.



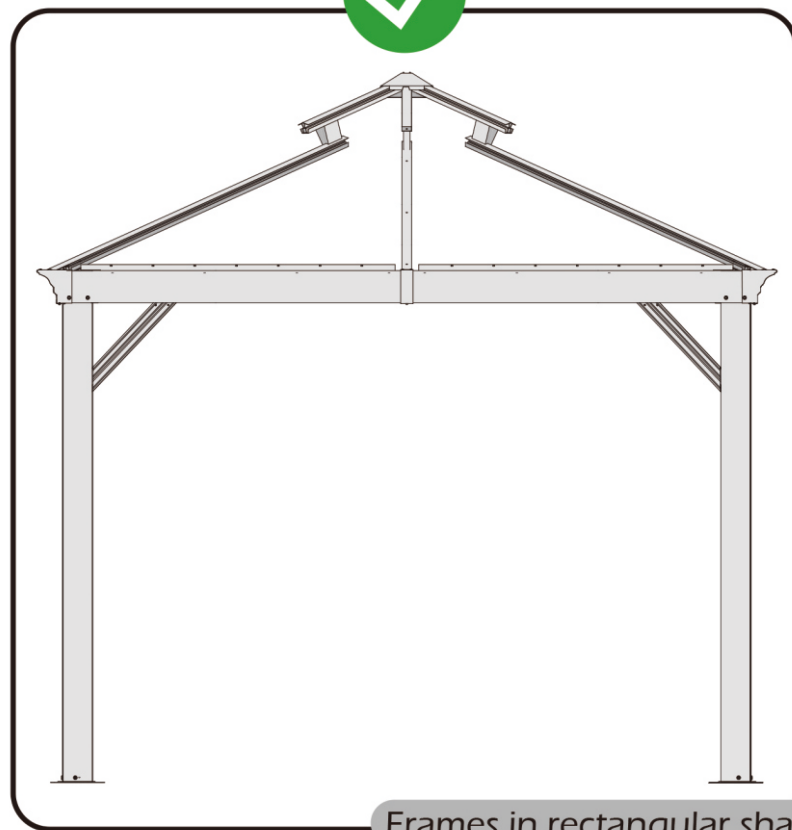
**ROOF TUBES AND INSIDE ROOF COVER ASSEMBLY:**



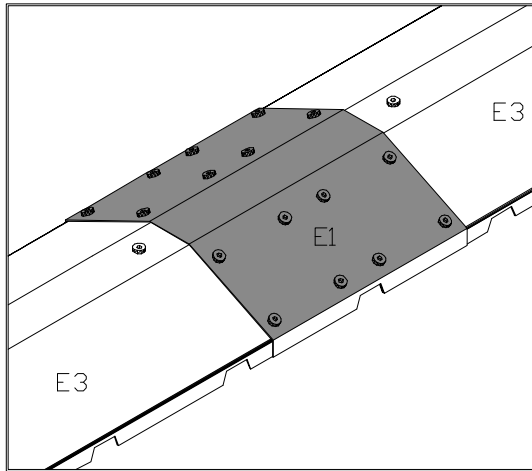
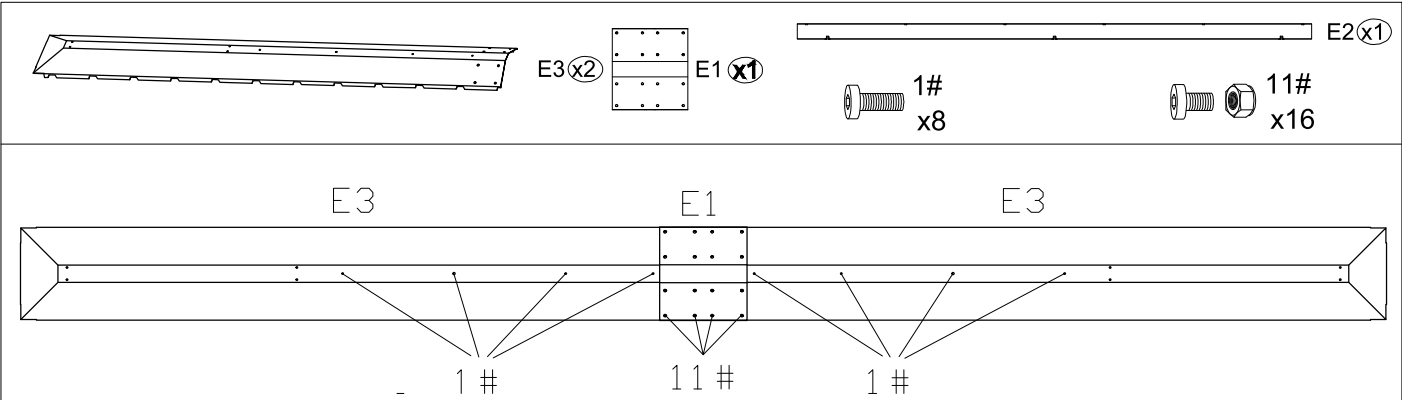
Check the the frame as pictures below shows.



Frames in Parallelogram shape

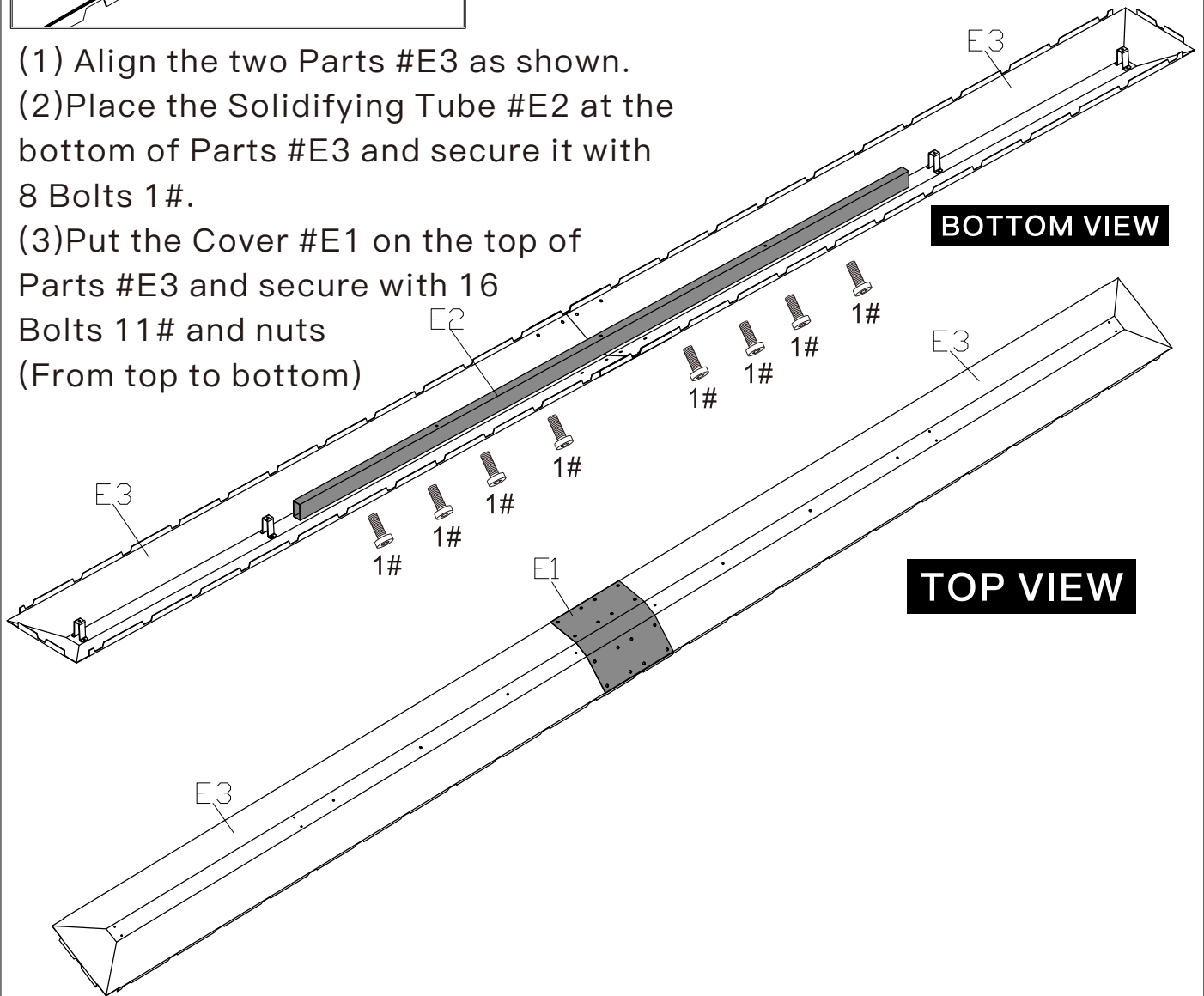


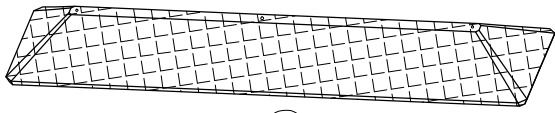
Frames in rectangular shape



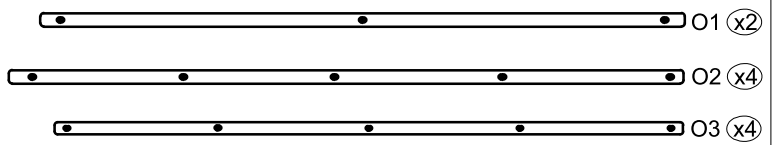
**OUTSIDE ROOF COVER ASSEMBLY:**

- (1) Align the two Parts #E3 as shown.
- (2) Place the Solidifying Tube #E2 at the bottom of Parts #E3 and secure it with 8 Bolts 1#.
- (3) Put the Cover #E1 on the top of Parts #E3 and secure with 16 Bolts 11# and nuts (From top to bottom)

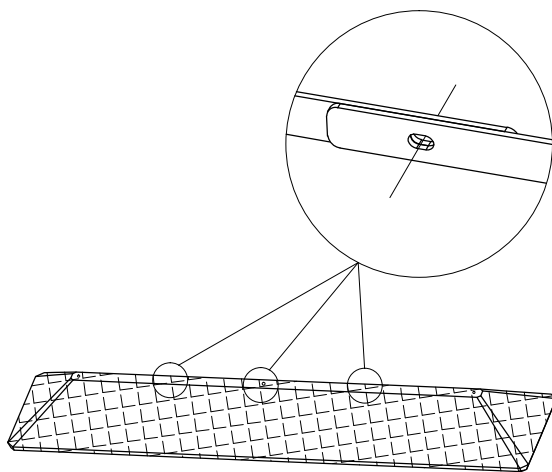
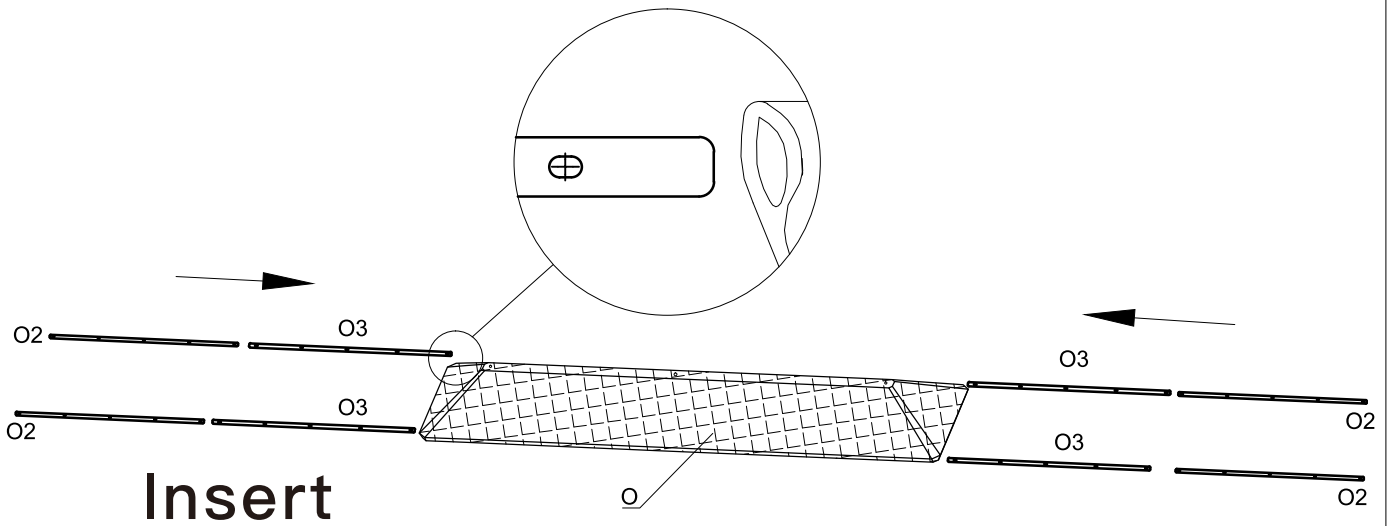




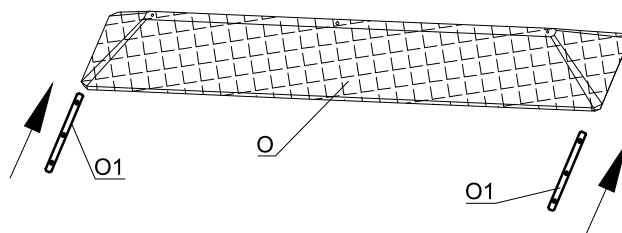
O x1

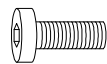


## PLASTIC BARS ASSEMBLY:



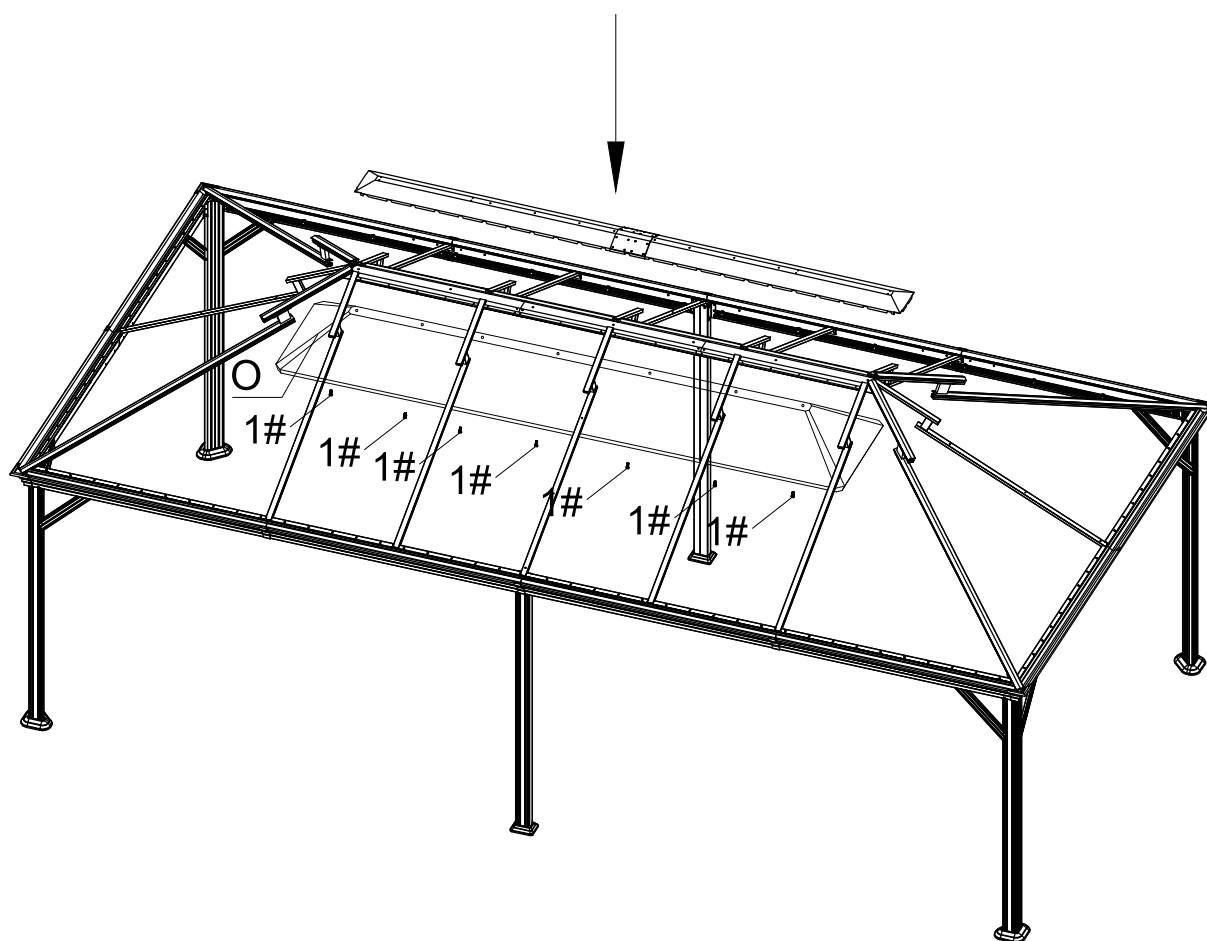
Insert



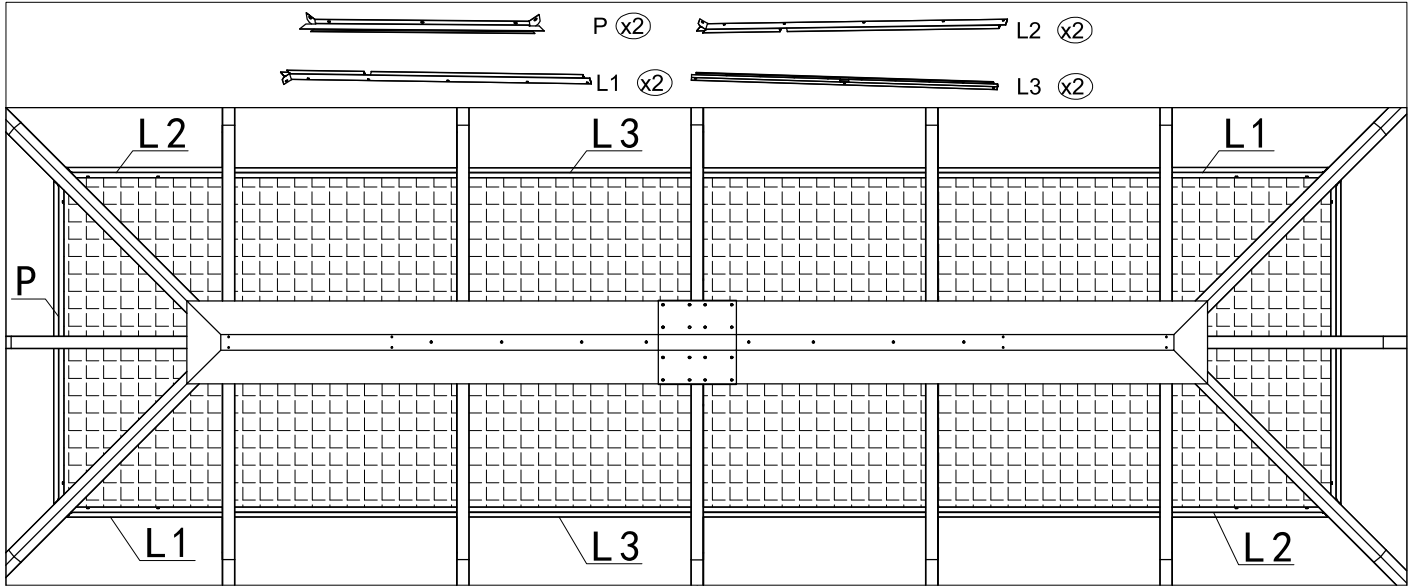


1#  
x7

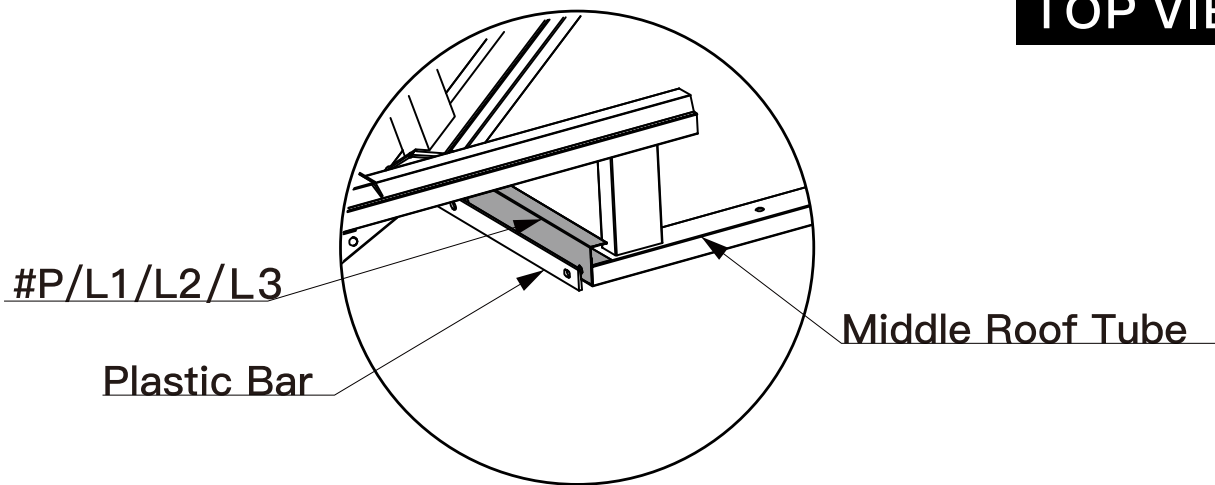
## OUTSIDE ROOF COVER AND MESH ASSEMBLY:




Place the Outside Roof Cover on the Inside Roof Cover,  
and secure them with 7 bolts #1.

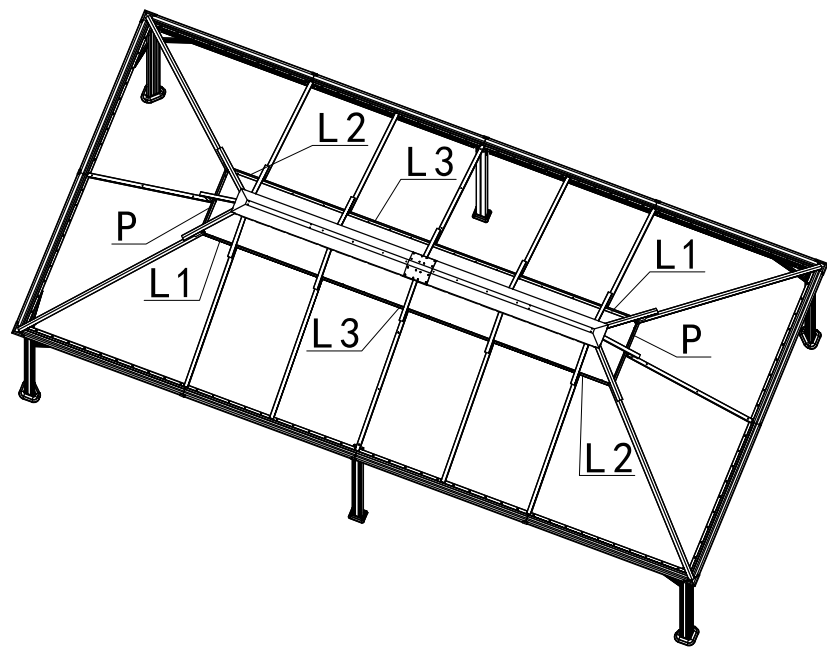


**TOP VIEW**

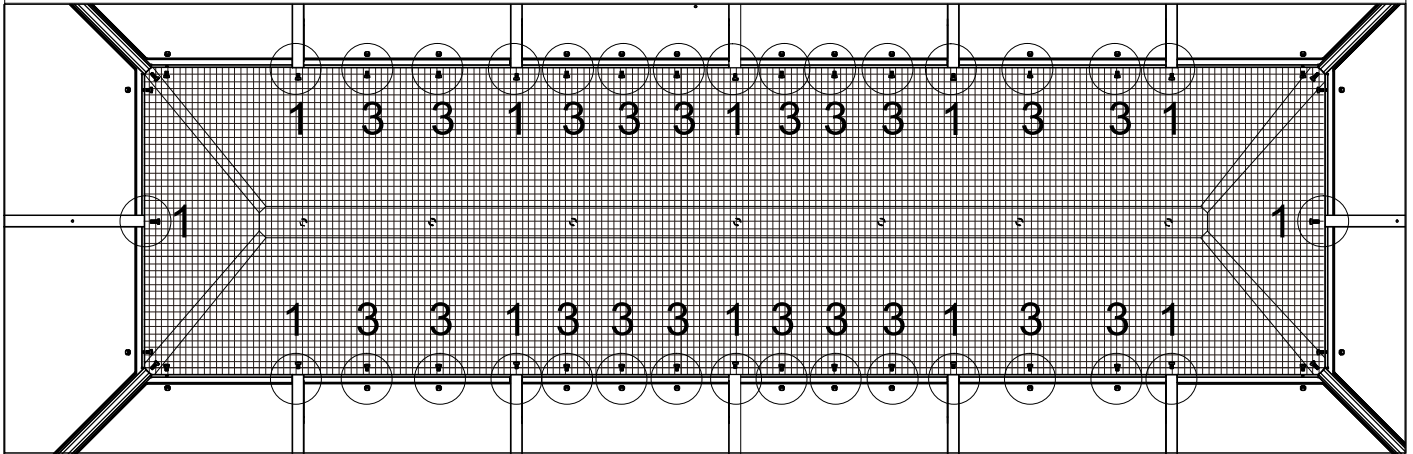


**INSIDE VIEW**

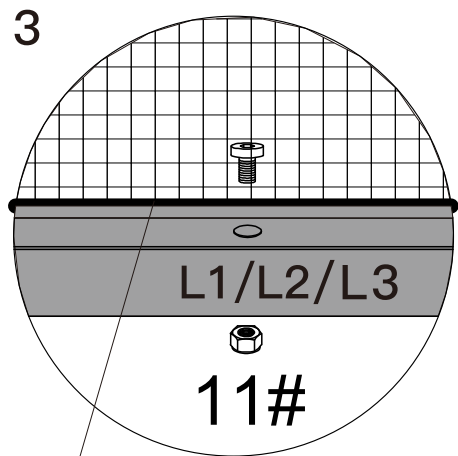
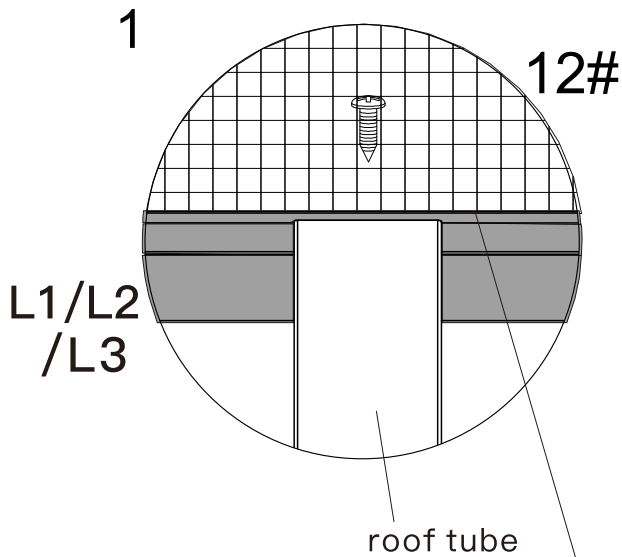
 Please do not pull plastic bar out when installing it with #P, L1 & L2 & L3 on the middle roof tube.



12# x12      11# x20

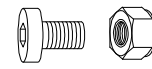
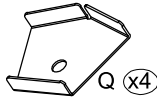


**BOTTOM VIEW**

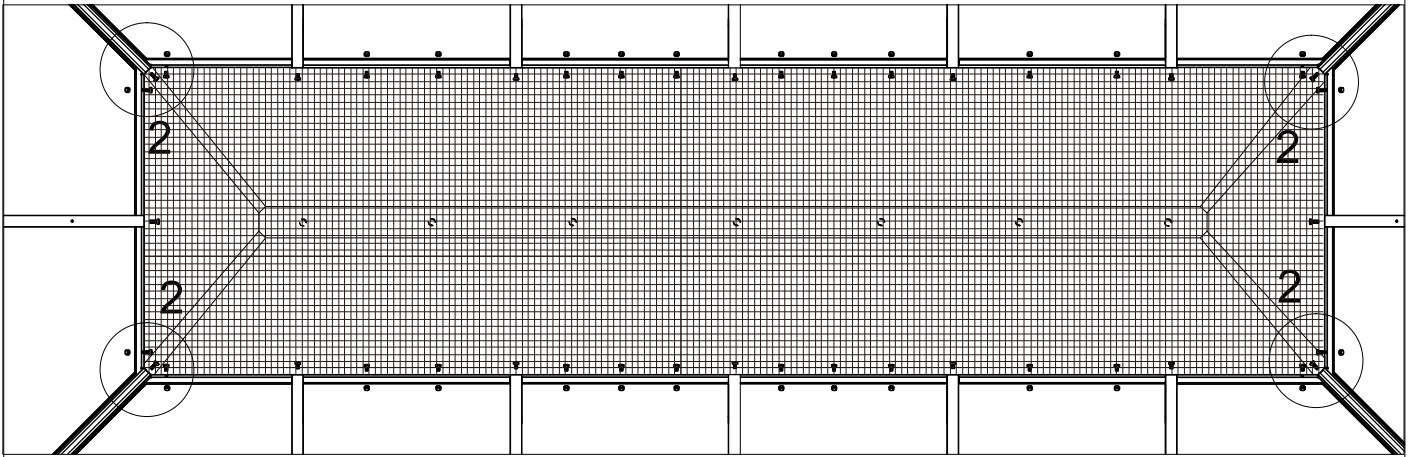


**Plastic Bar  
in the mesh**

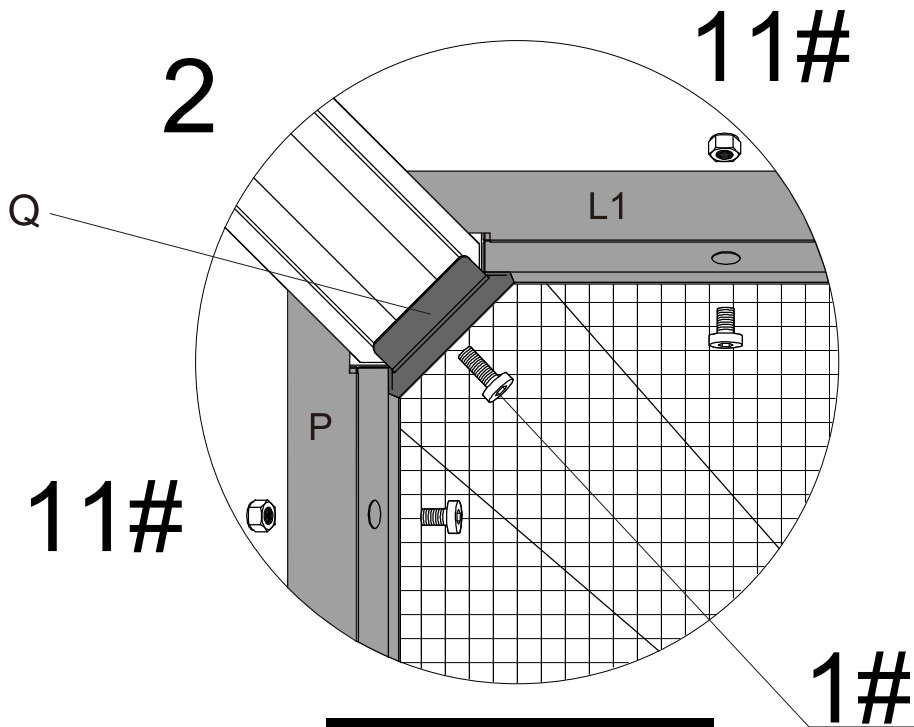
- (1) Extend the small mesh, then use 12 Screws #12 to secure the plastic bar (inside the small mesh) and the finishing bar to the middle roof tube.
- (2) Use 20 bolts and nuts #11 to secure the small mesh, plastic bar to finishing bar.



11#  
x8



### BOTTOM VIEW

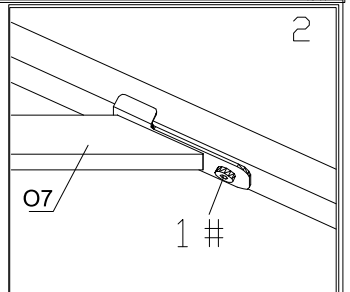
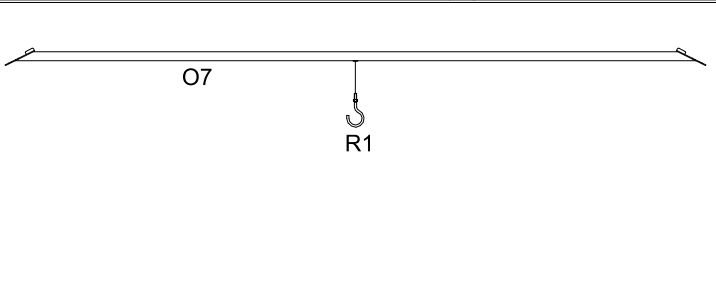
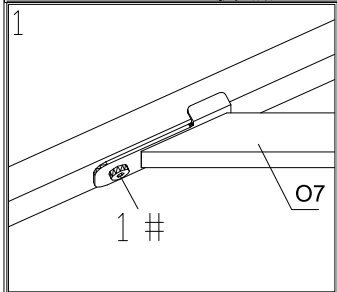
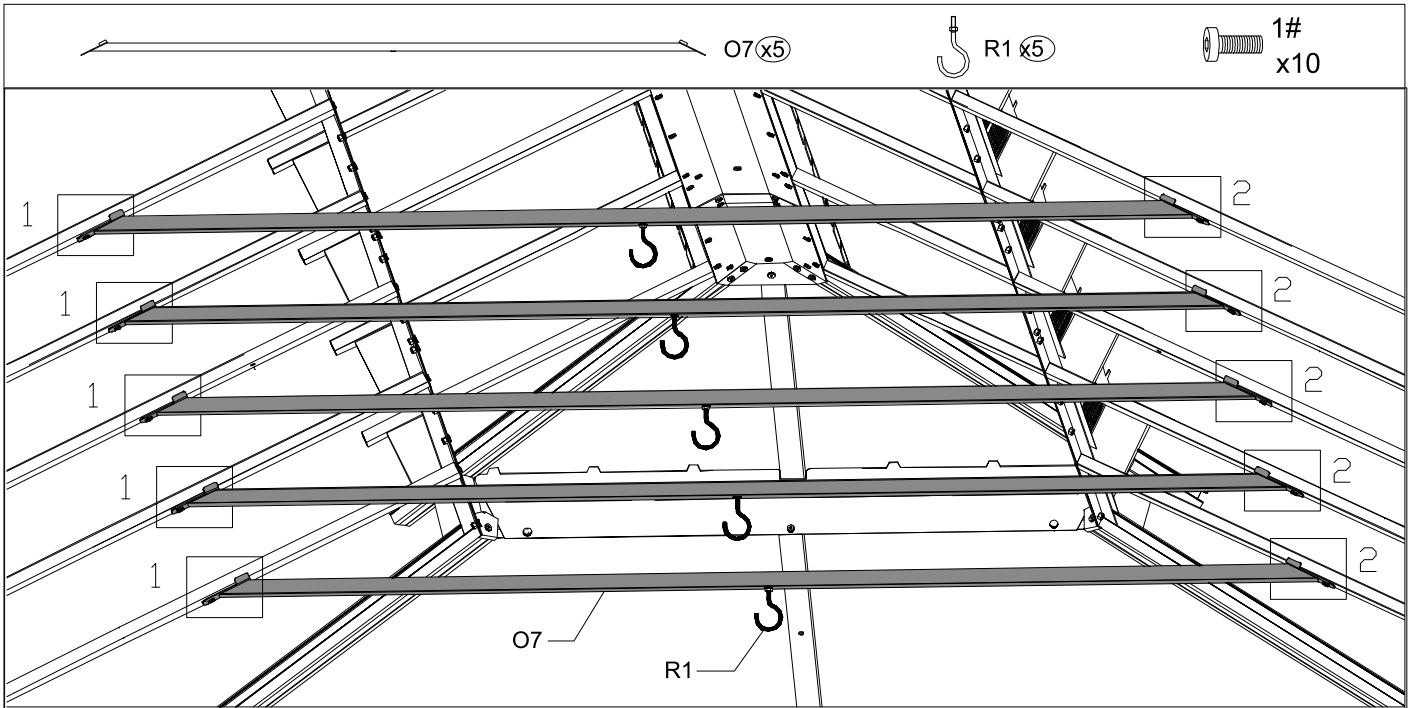


### INSIDE VIEW

(1) Use bolt #1 to secure the small mesh and finishing end #Q to the corner roof tube.

(2) Use 2 bolts and nuts #11 to secure the small mesh, plastic bar to finishing bar.

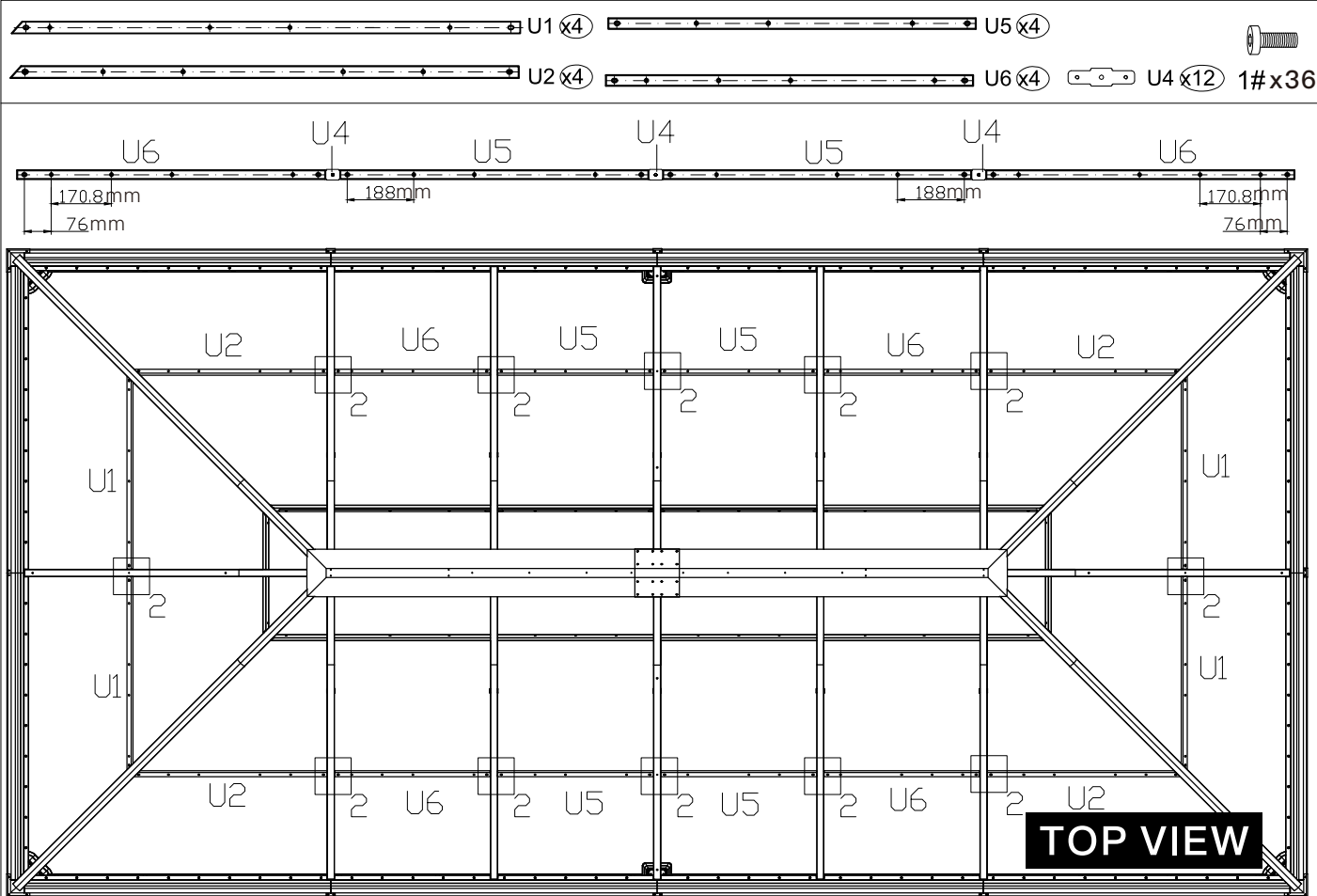
Repeat above procedures to assemble the other 3 sides.



**SOLIDIFYING BARS AND HOOKS ASSEMBLY:**



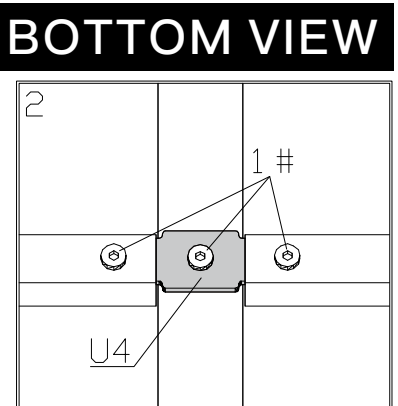
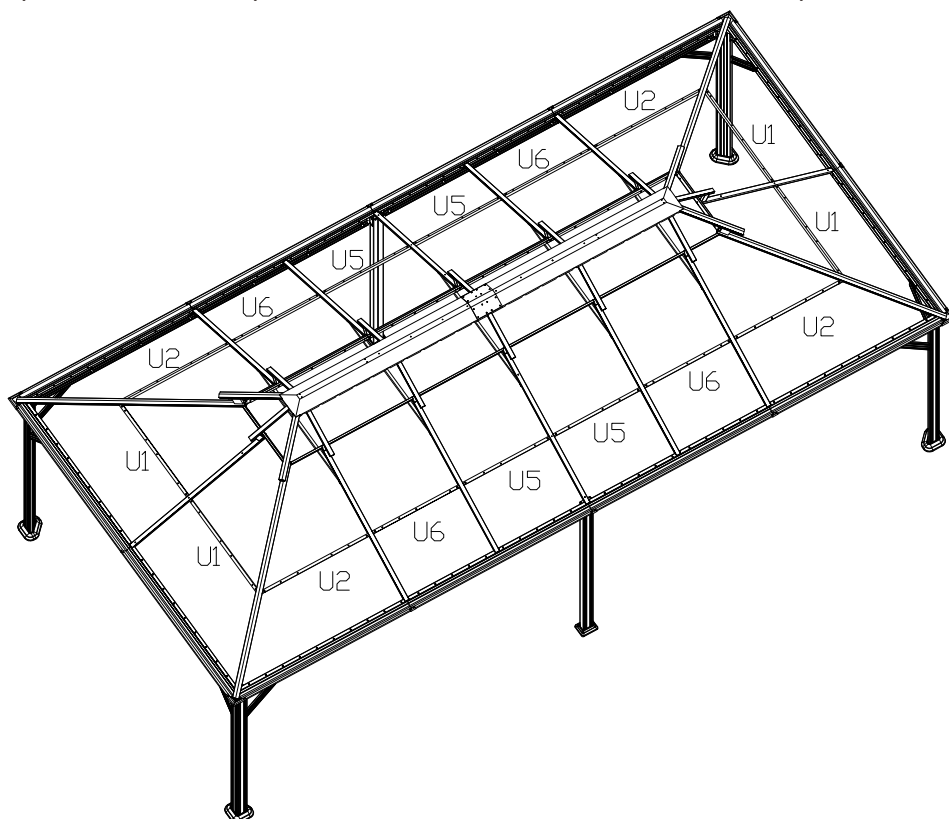
1. Attach 5 Parts #07 to the frame and secure them with 10 Bolts 1#.
2. Screw Hooks #R1 onto the Bar Part #07.

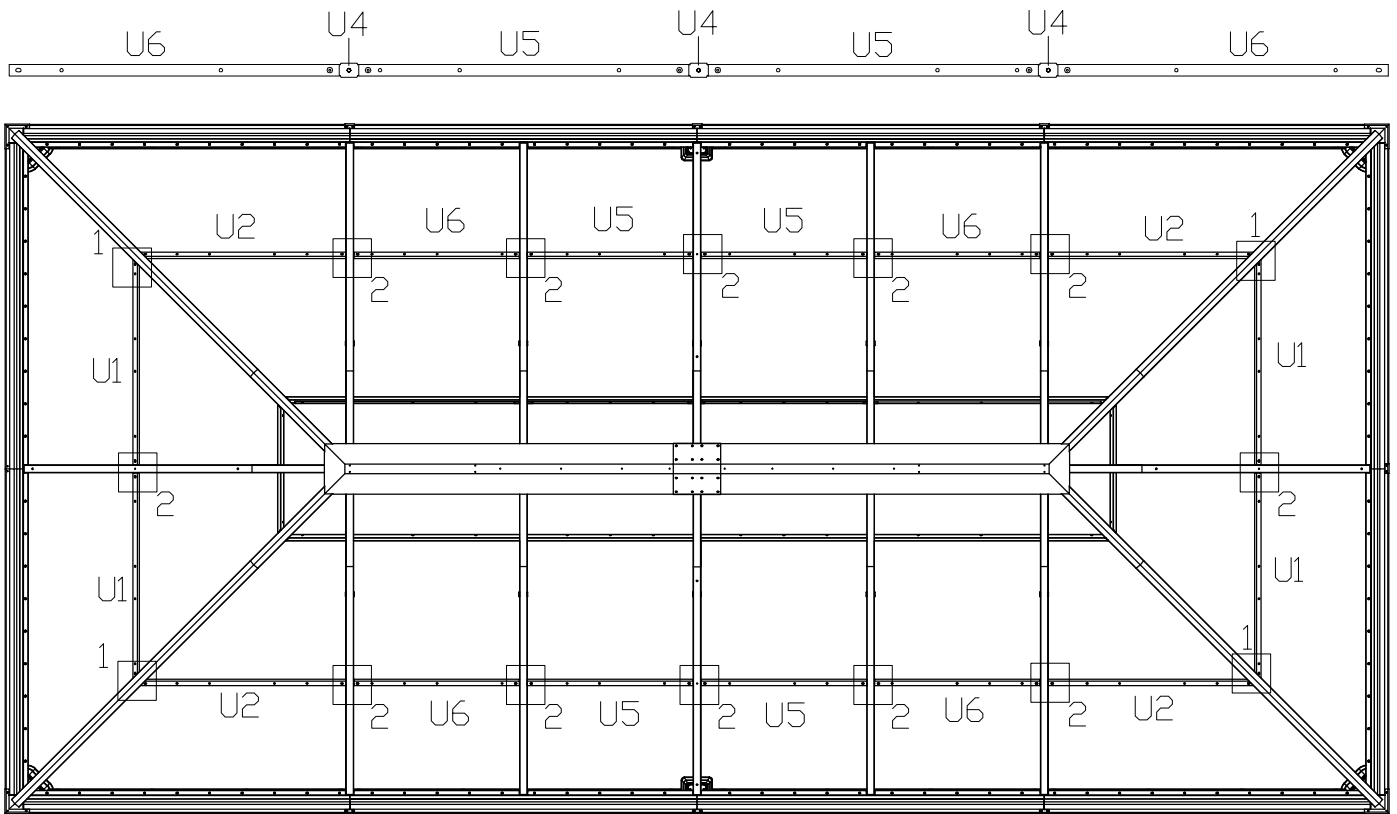
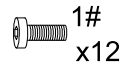


**Note:** If U5 and U6 does not fit properly, the ends of the solidifying bar may be installed in reverse.

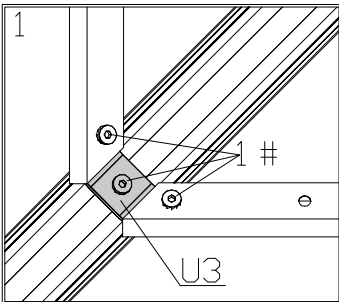
Insert the Bracket U4 and secure them with 2 Bolts 1#, then attach them to assembled Middle Roof Tube with 1 Bolts 1#.

Repeat the above procedure to assemble the other 11 positions.

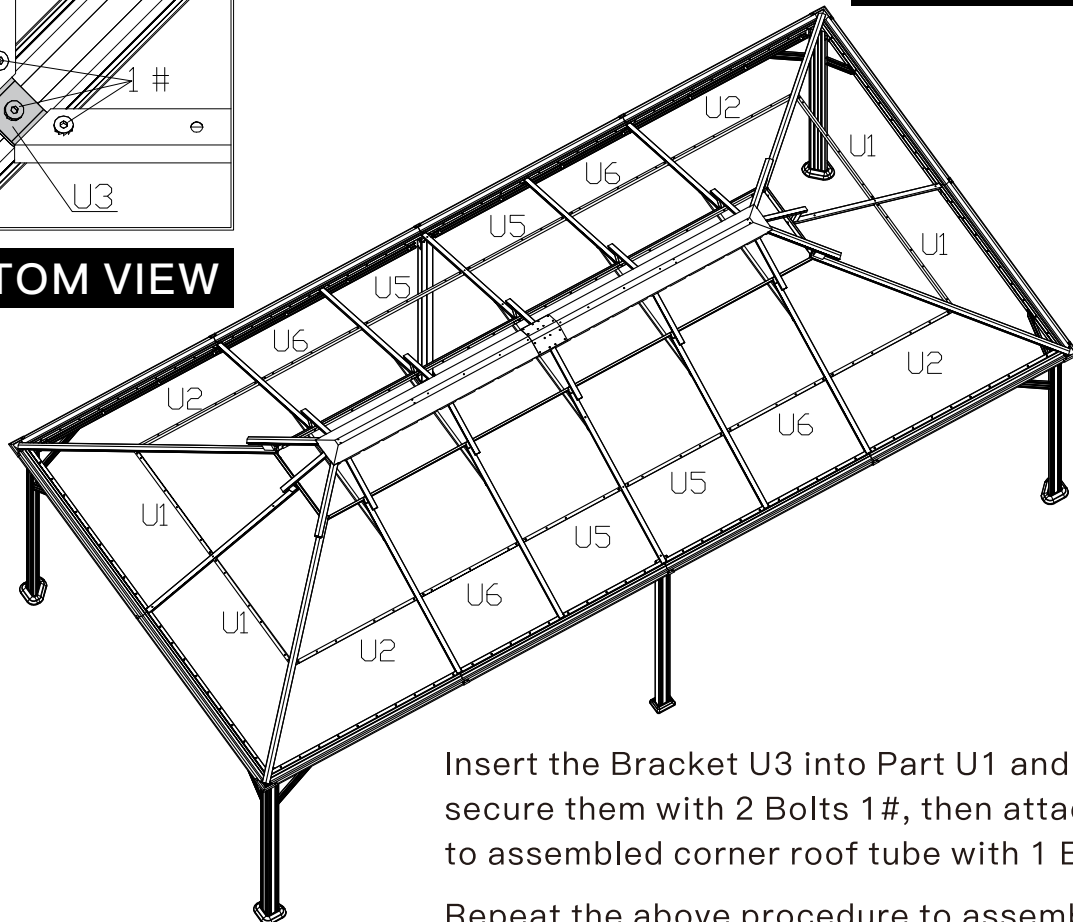




**TOP VIEW**

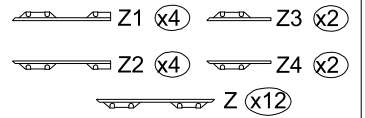
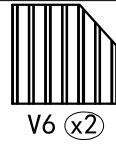
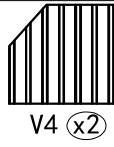


**BOTTOM VIEW**

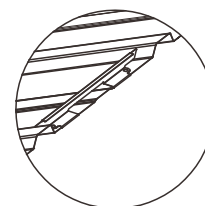
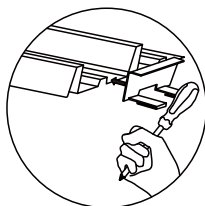
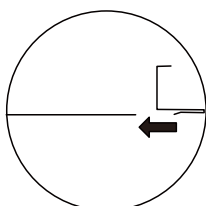
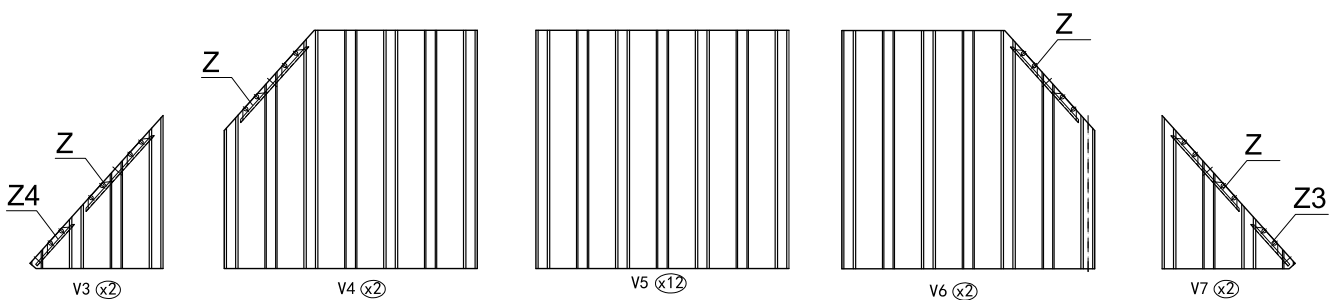
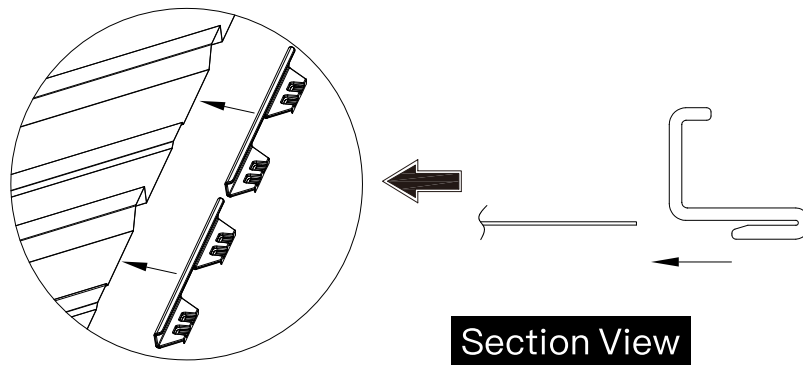
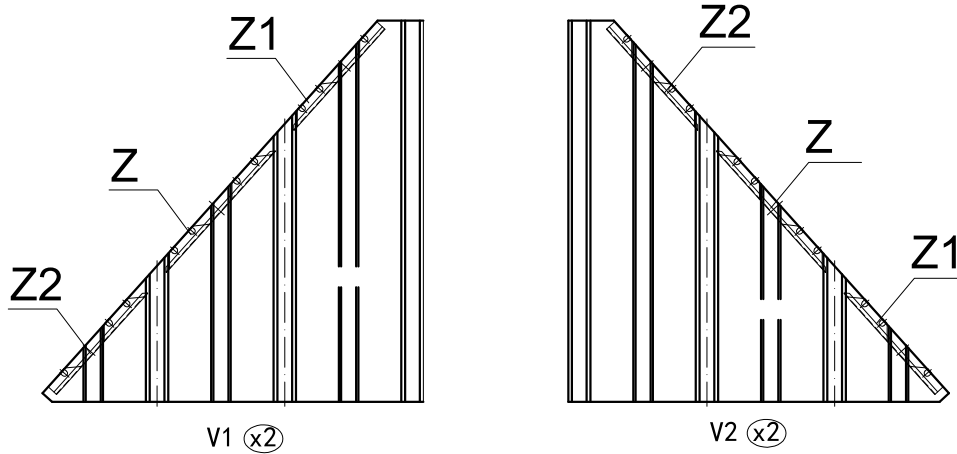


Insert the Bracket U3 into Part U1 and U2, and secure them with 2 Bolts 1#, then attach them to assembled corner roof tube with 1 Bolts 1#.

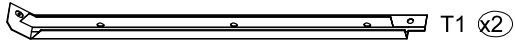
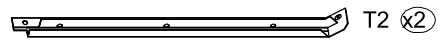
Repeat the above procedure to assemble the other 3 corners.



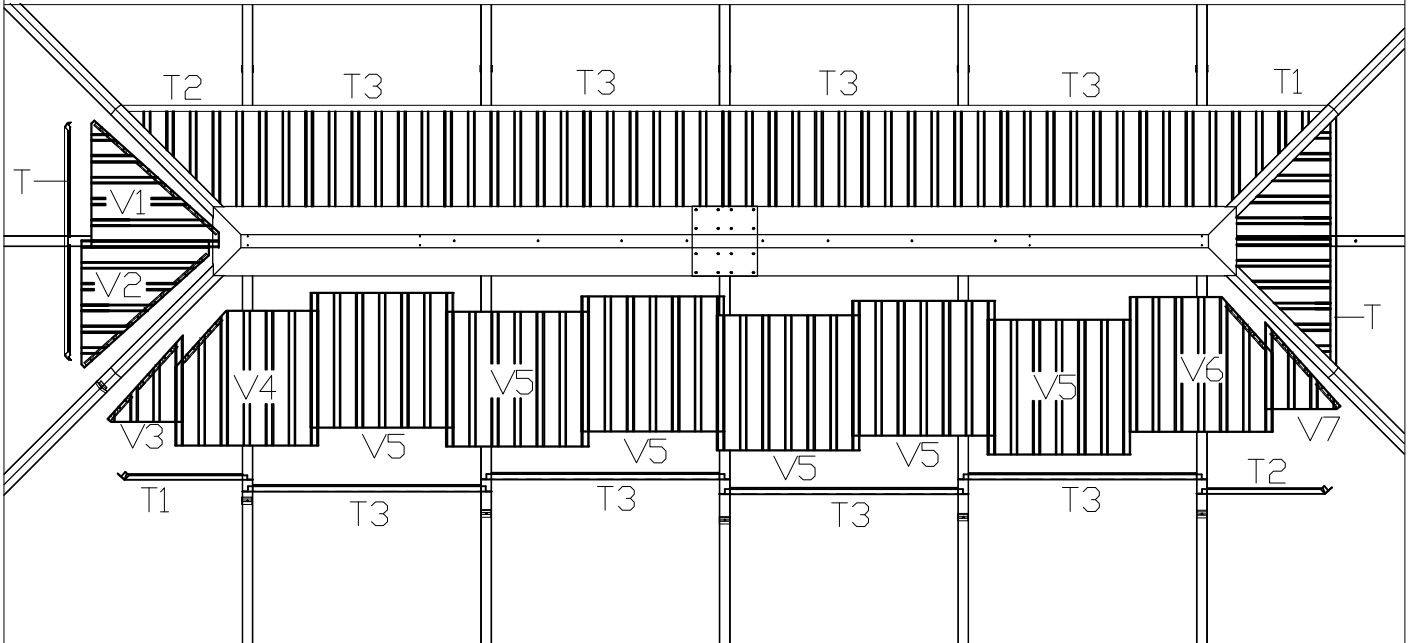
Remove the protective film of the panels before installing the roof panels.  
Please install Plastic Clips in strict accordance with the instructions.



Attach Part #Z,#Z1,#Z2,#Z3 & #Z4 by lightly tapping with screwdriver.

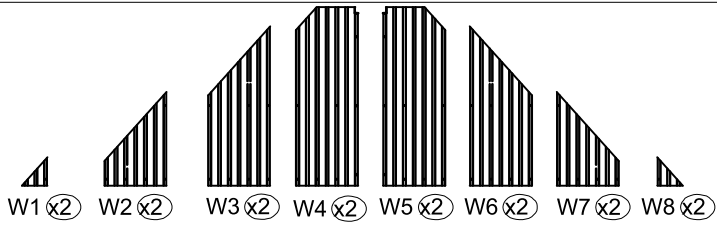


### SMALL ROOF ASSEMBLY:



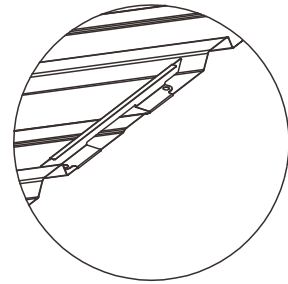
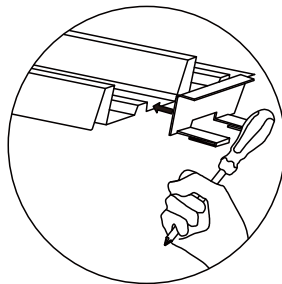
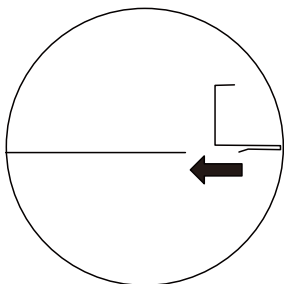
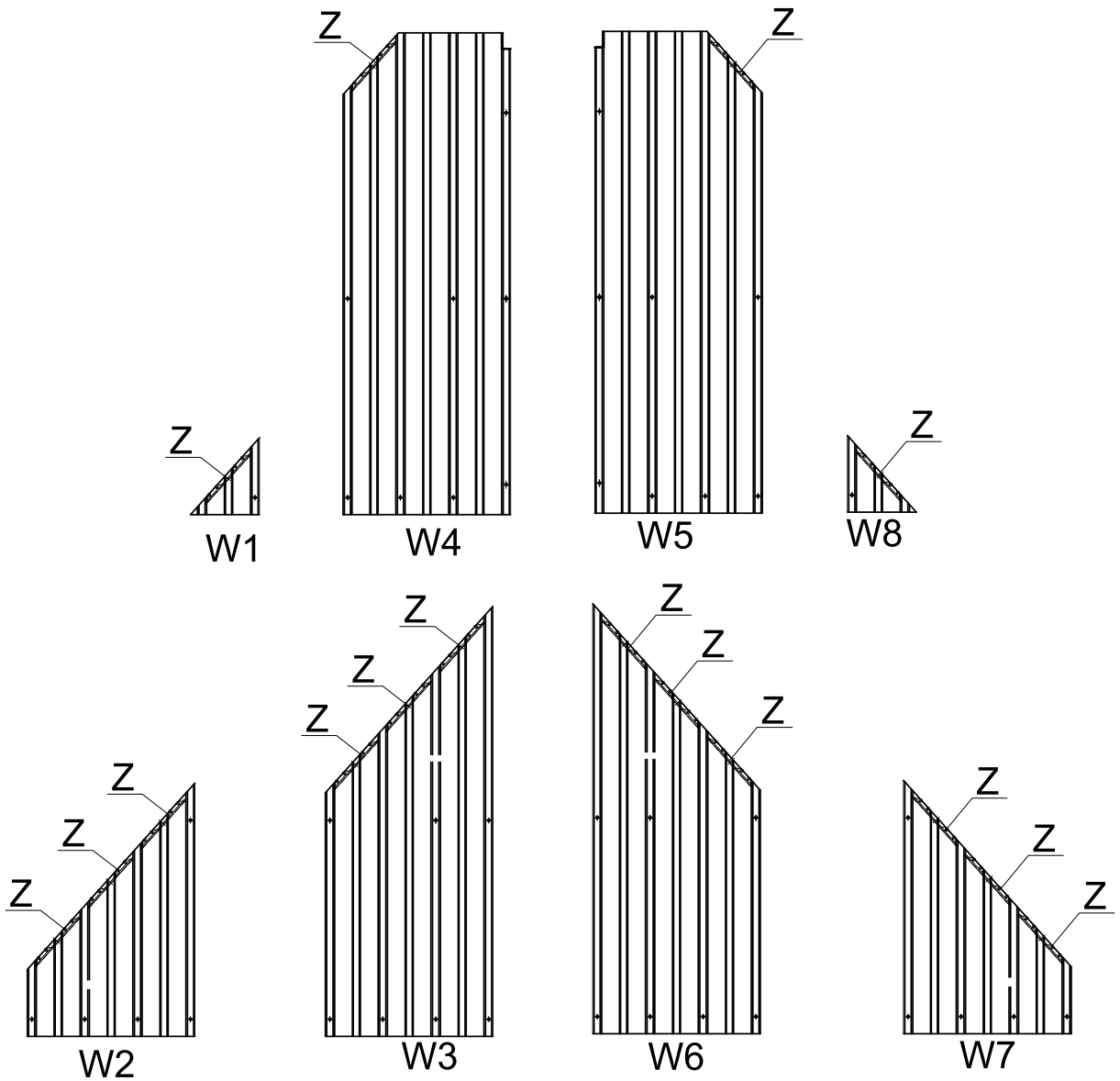
If you can't install #V5, push the Outside Roof Cover up and try to insert them again.

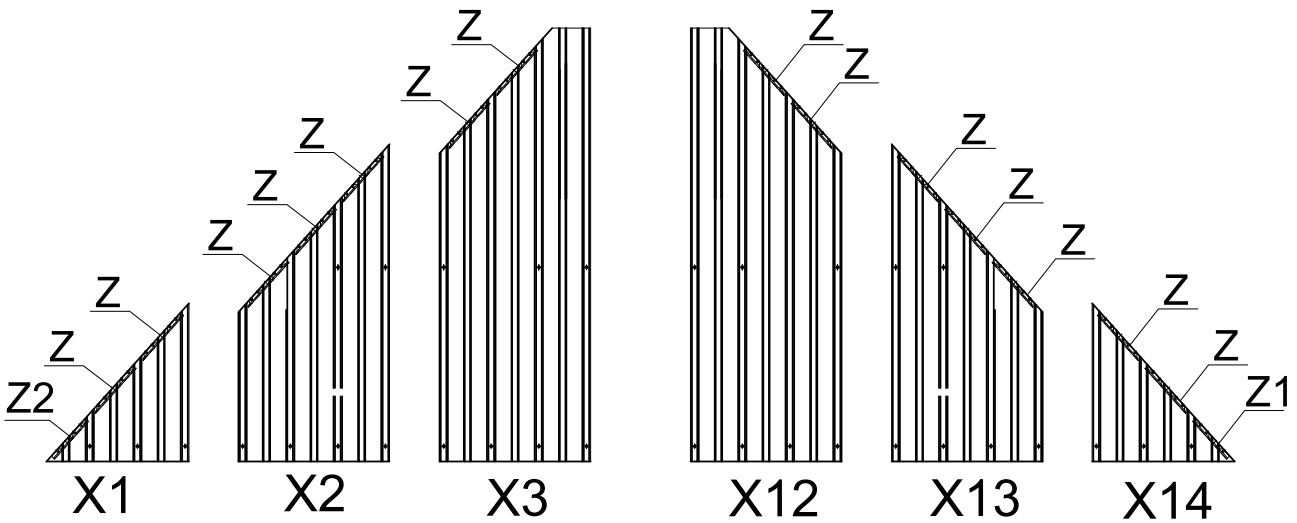
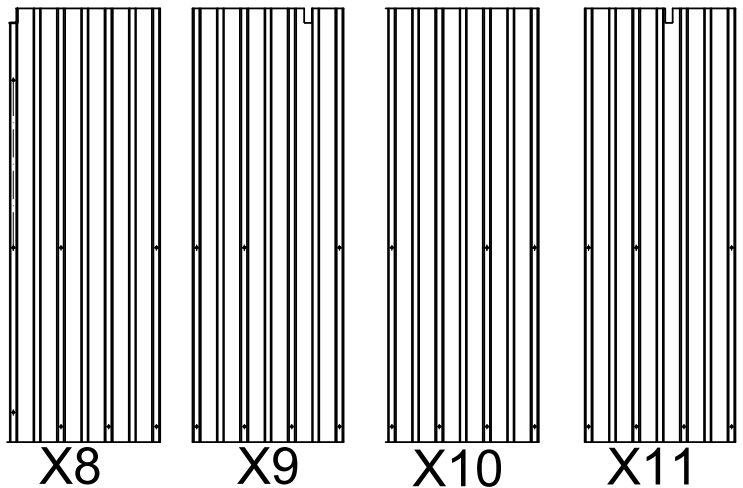
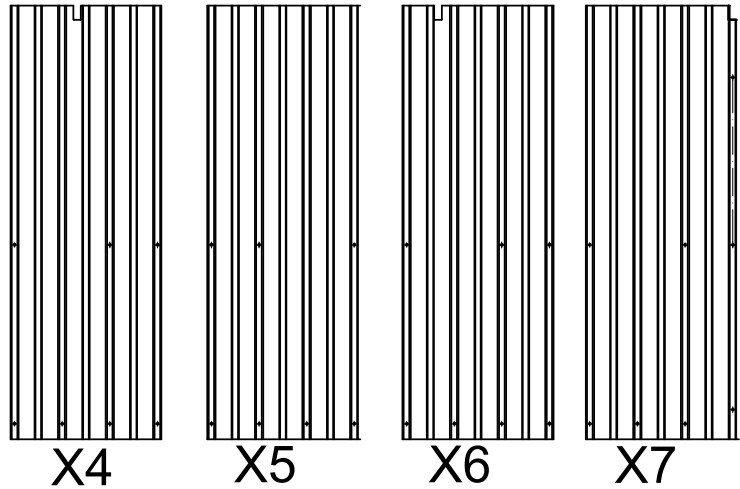
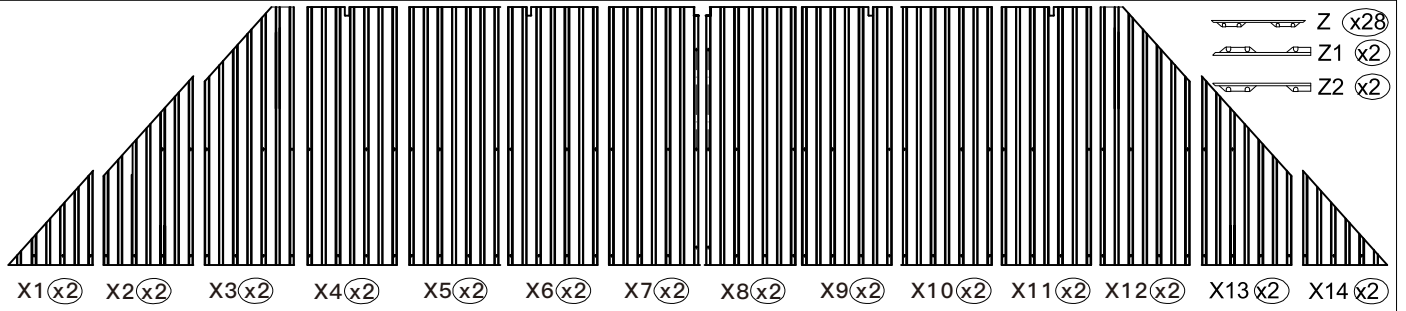




Attach Part #Z by lightly tapping with screwdriver.

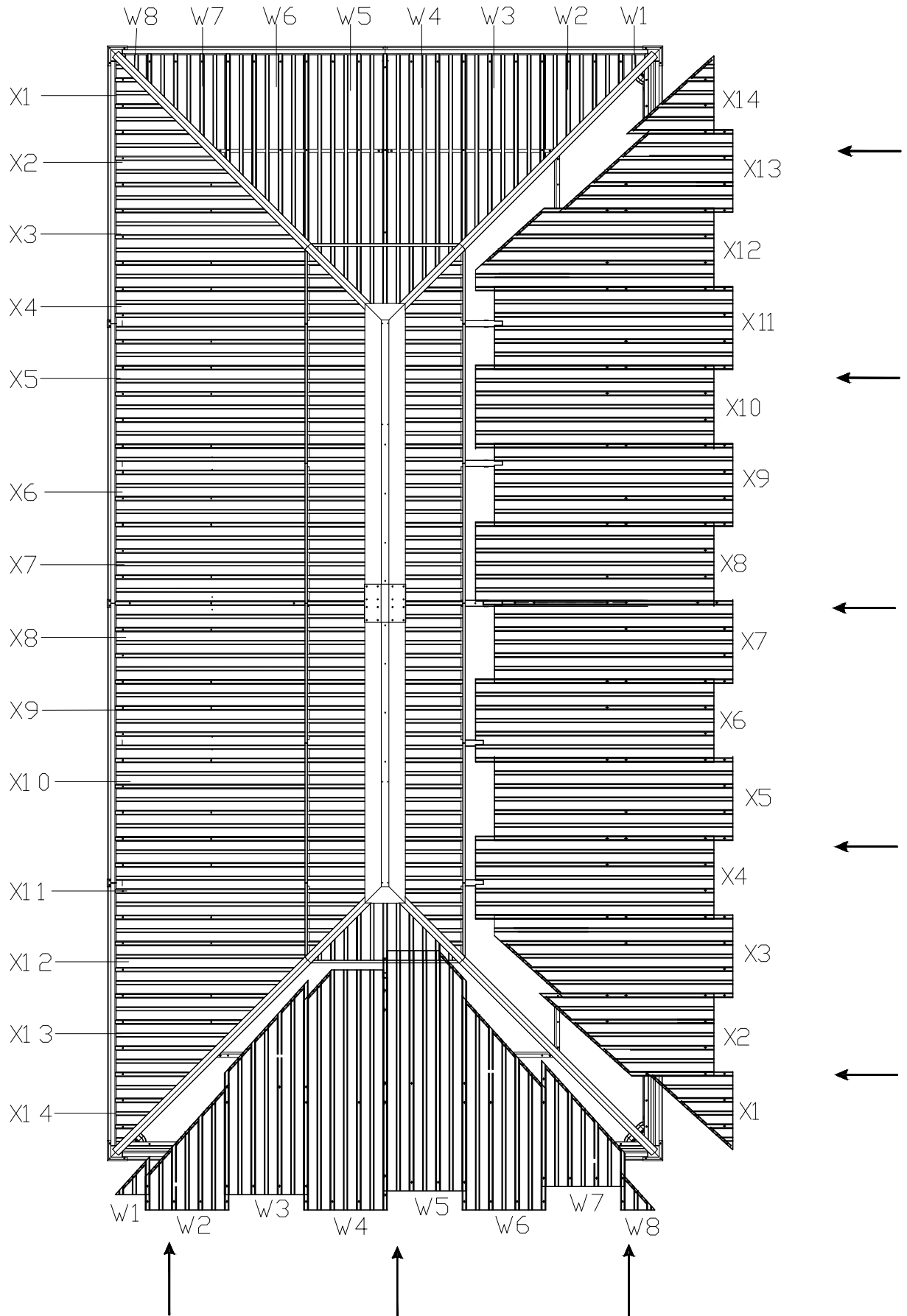
Remove the protective film of the panels before installing the roof panels. Please install Clips in strict accordance with the instructions.



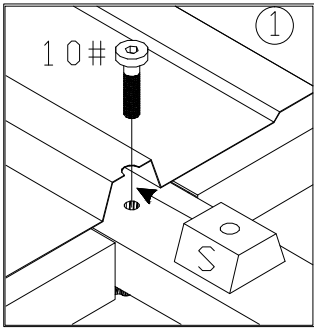
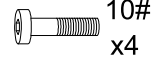
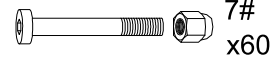
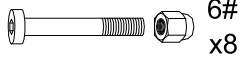
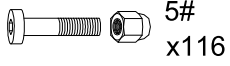


Attach Part #Z,Z1,Z2 by lightly tapping with screwdriver.  
 Please install Clips in strict accordance with the instructions.

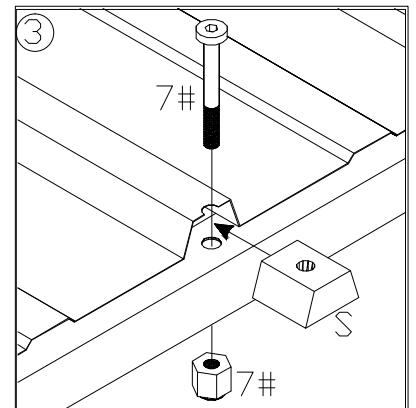
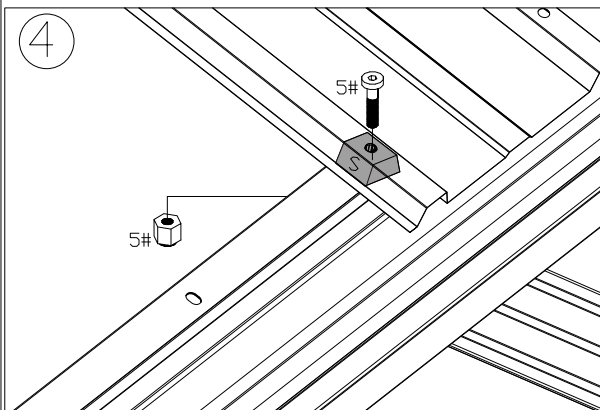
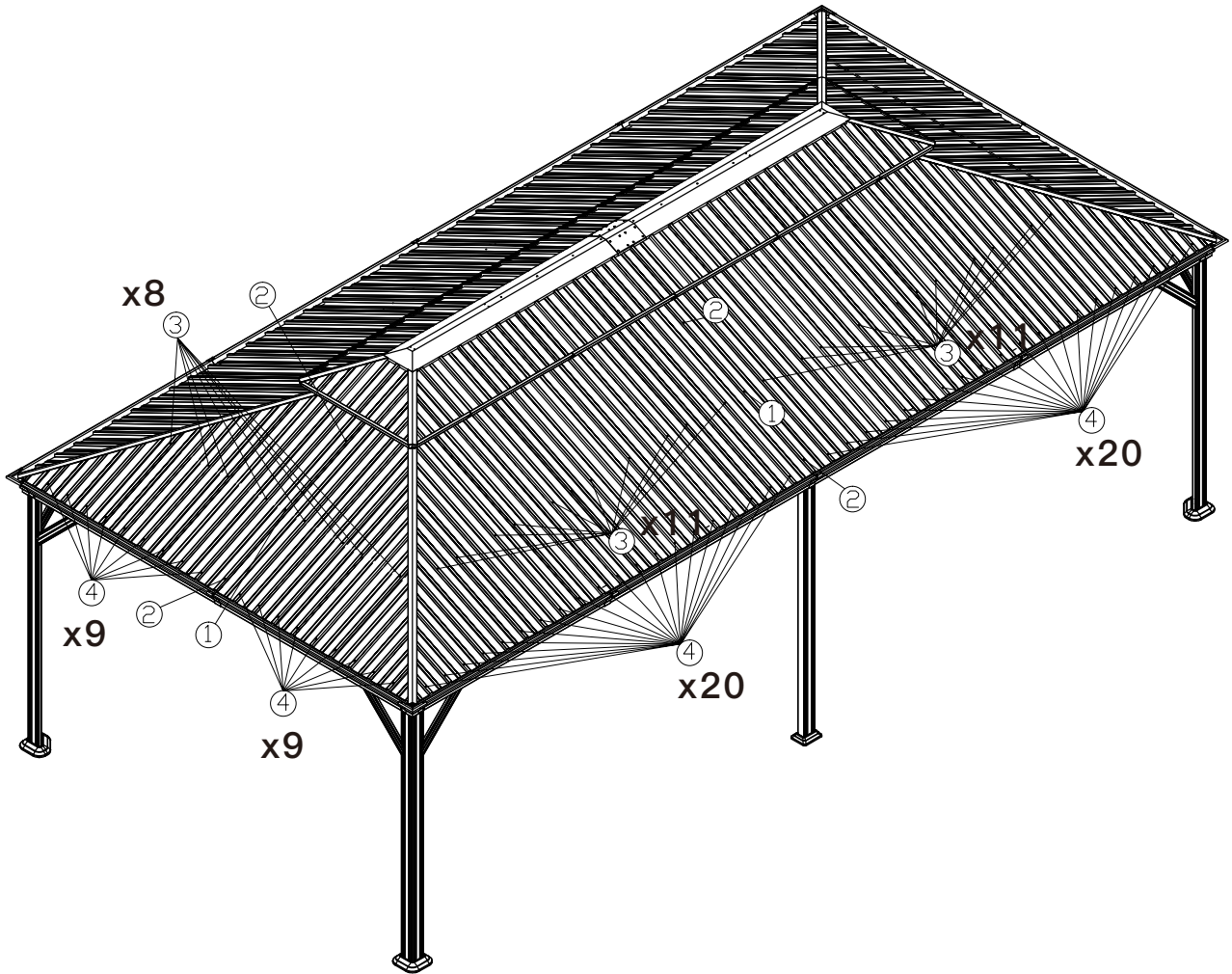
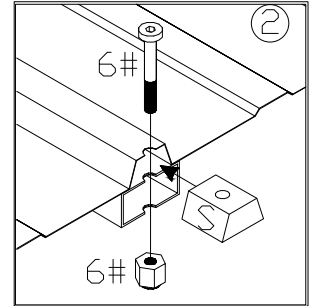
# OVER ALL ROOF PANELS ASSEMBLY:



Install the Middle Panels (#X7,X8 or #W4,W5) first,  
then the small panels on the edge.

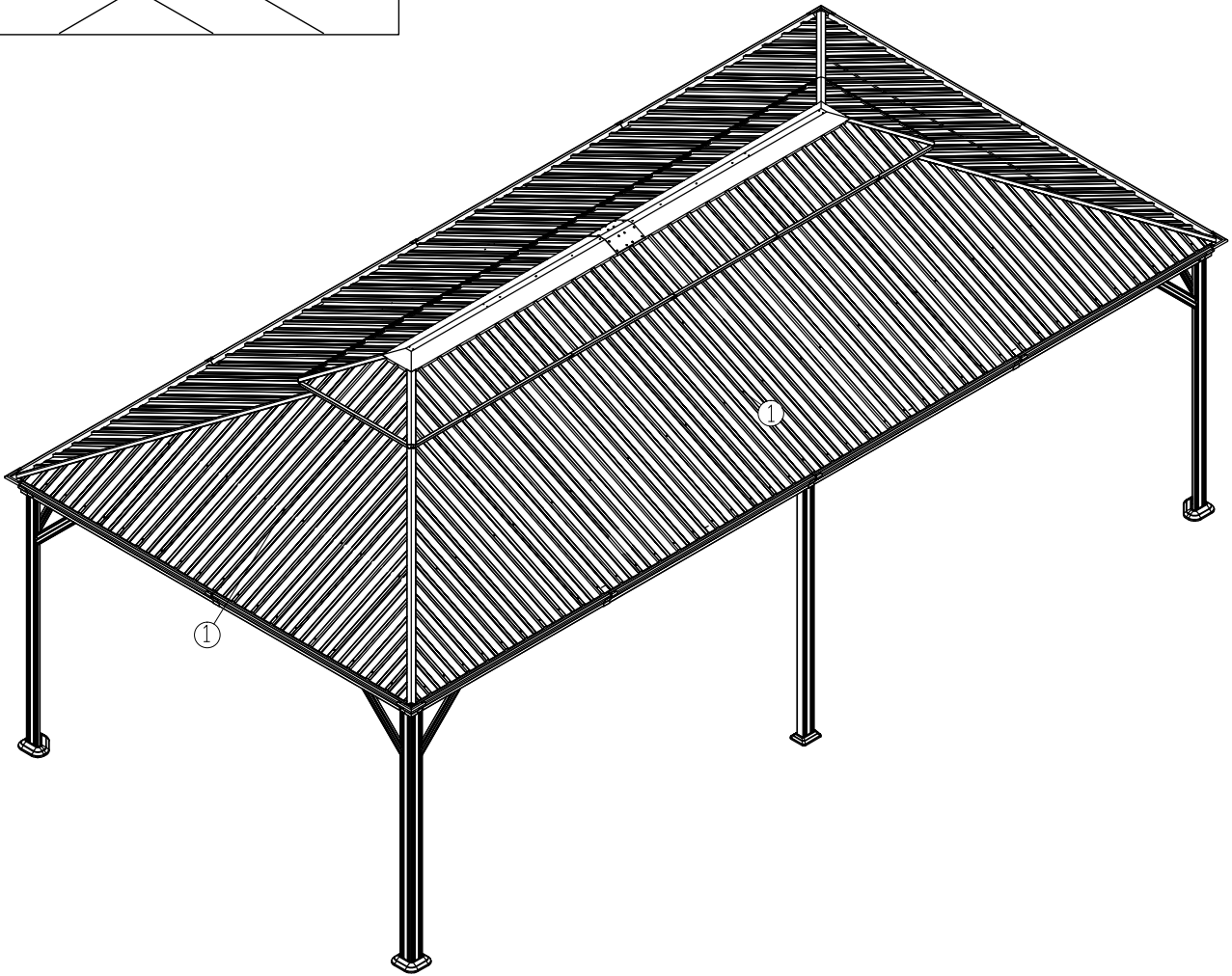
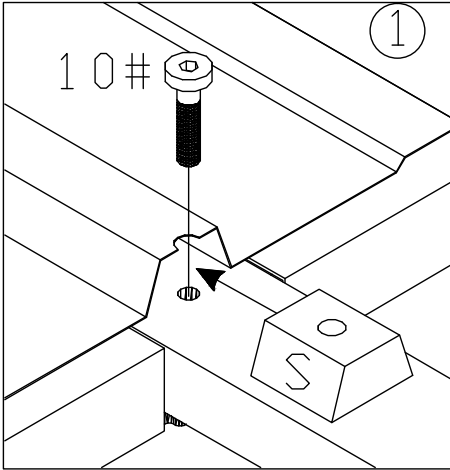


NOTICE: The Black Rubber #S should be inserted between roof panels and solidifying bars or beams, then secure with bolts and nuts.



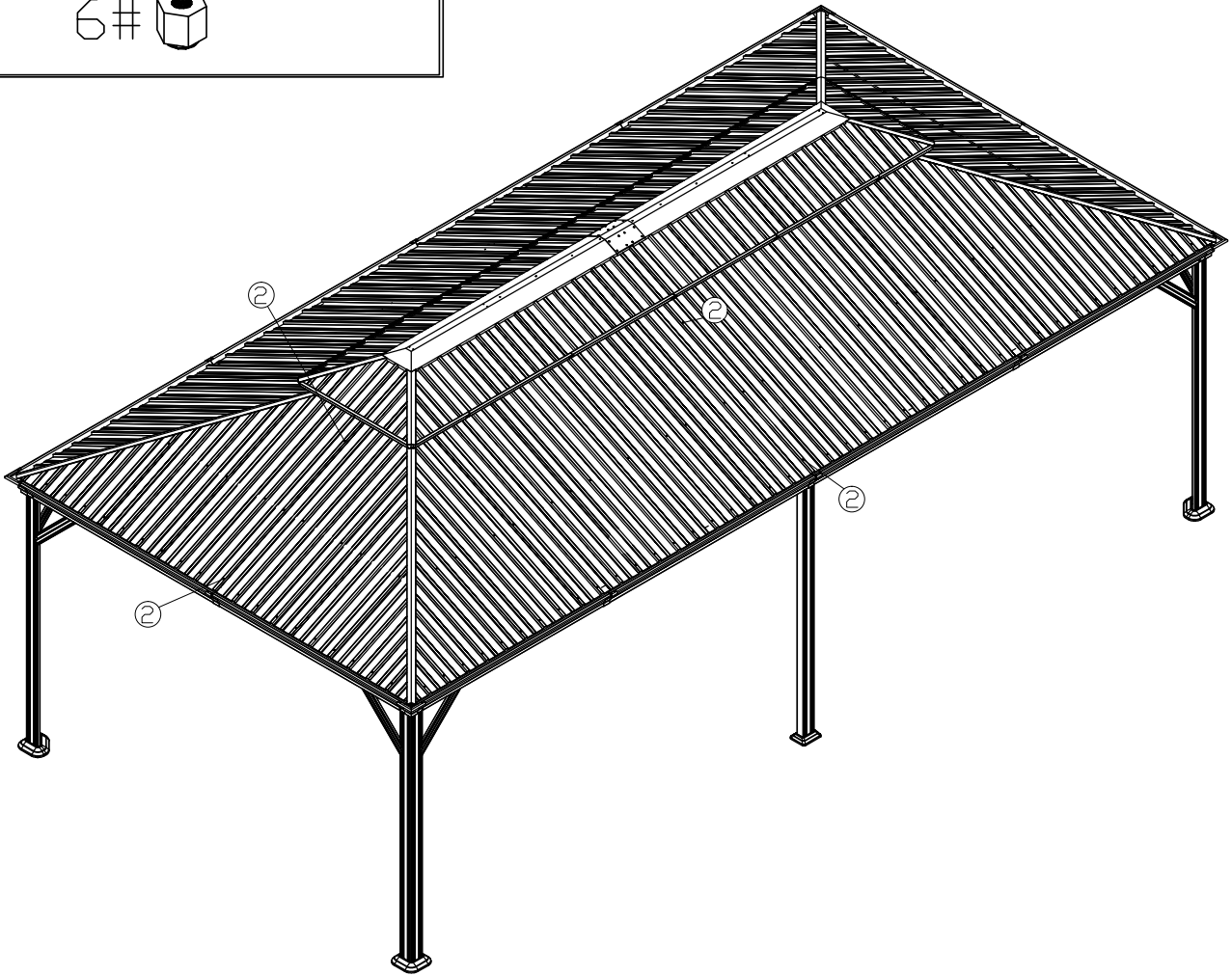
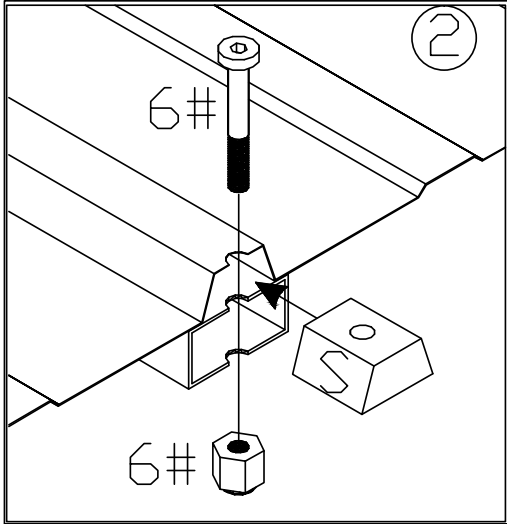
S x4

10#  
x4



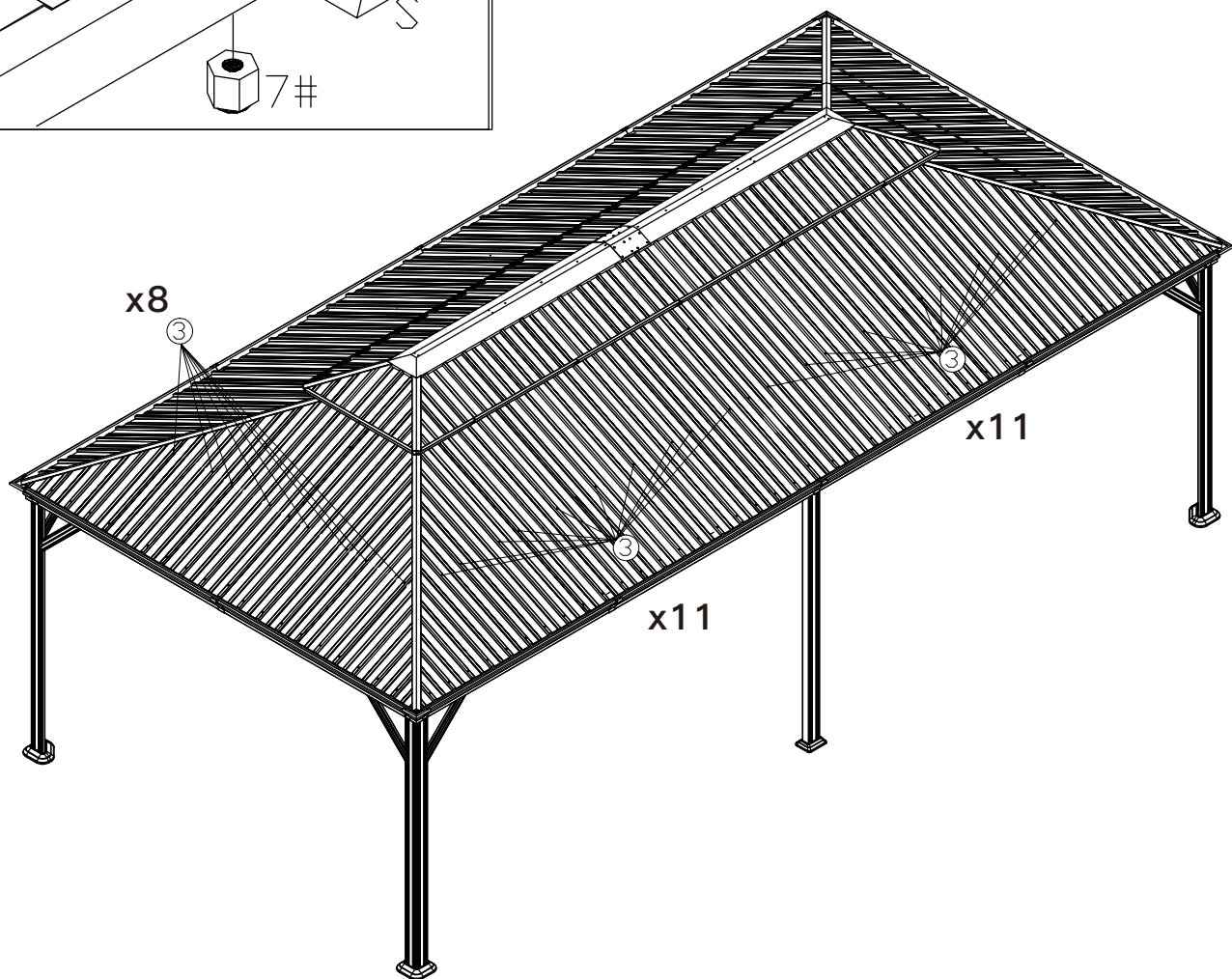
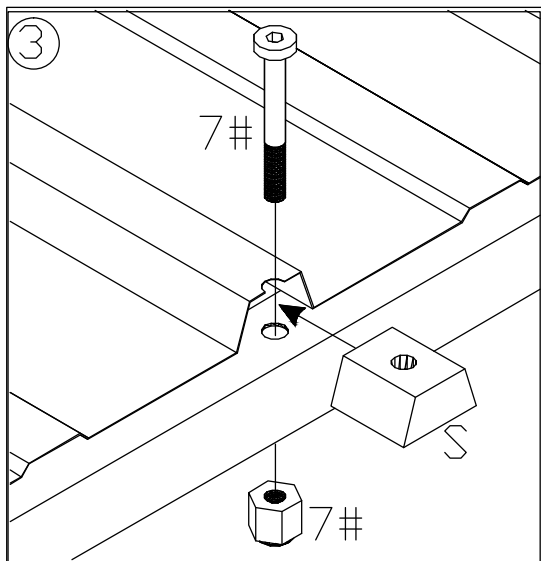
Sx8

6#  
x8



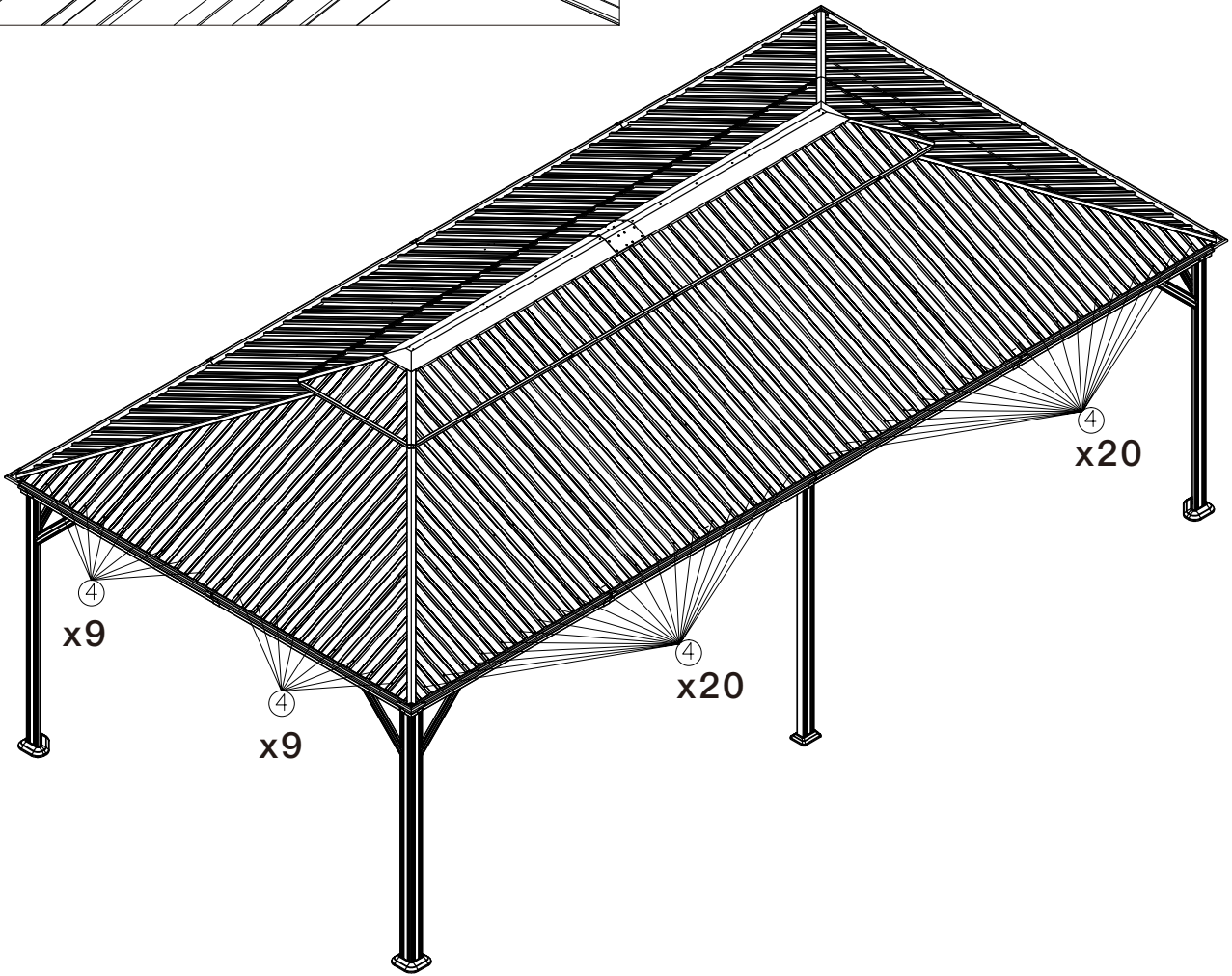
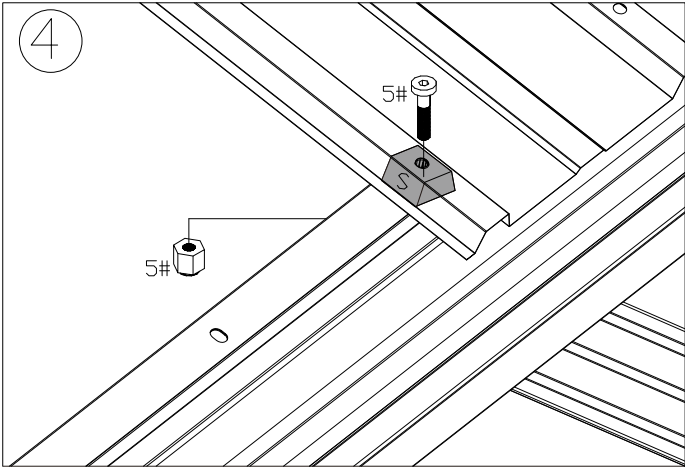
S x60

7#  
x60

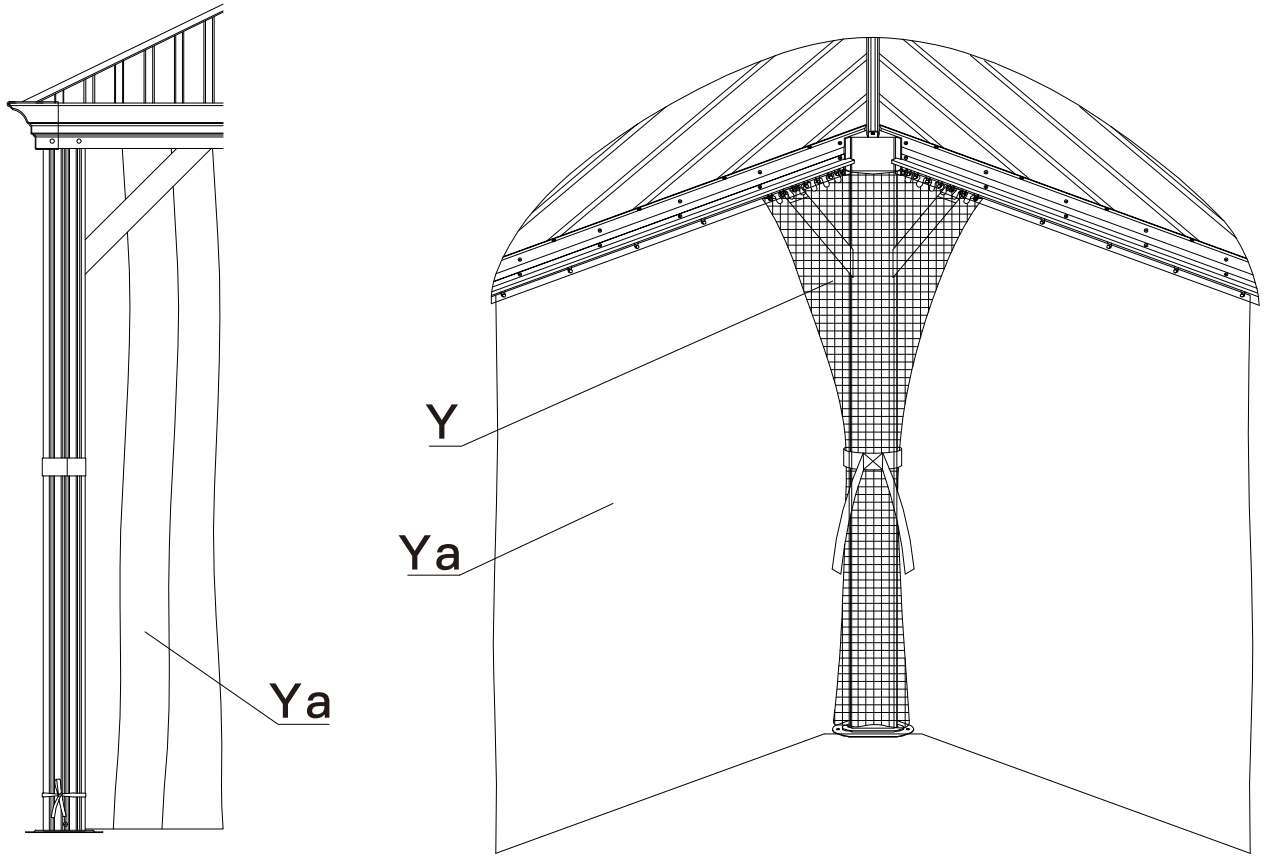


Sx116

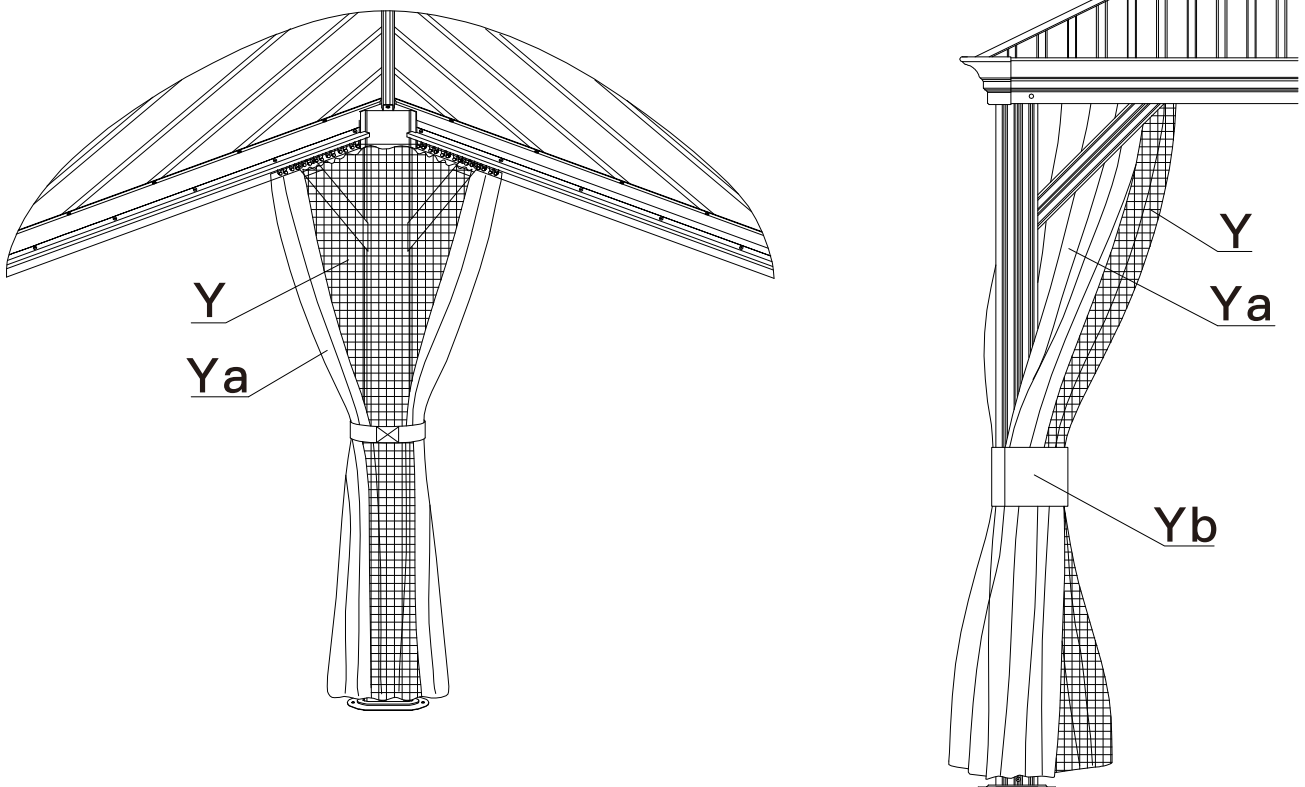
5#  
x116







Please open your gazebo curtains when wind speed exceed 30 mph wind, and tie them with Straps #Yb.





## Thanks for your purchase.

At domi outdoor living, we believe in our products.

That's why we provide a 12-month warranty and friendly, easy-to-reach after-sales service. So, if you have any questions about our product or assembly, please feel free to contact us. We are here for you.

**Support:**  

**After-sales contact email:**

[service@domioutdoorliving.com](mailto:service@domioutdoorliving.com)

**Business cooperation contact email:**

[marketing@domioutdoorliving.com](mailto:marketing@domioutdoorliving.com)

Please have your order ID available if you reach out for support.

If you have damaged parts or product, please send us photos for an immediate response.