

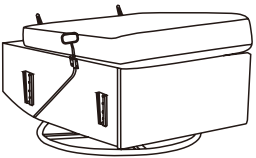

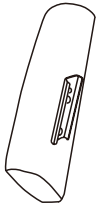
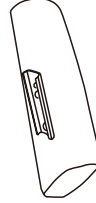
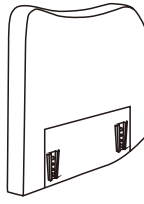
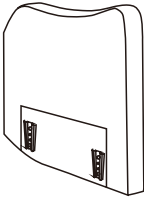



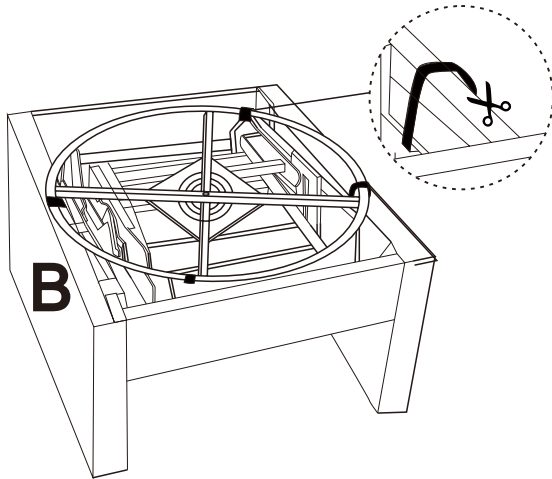
ASSEMBLE INSTRUCTION

ITEM NO.	N701P204805+N701P204806 (2-1) 1x 		
PART LISTS			
NO.	DESCRIPTION	SKETCH	Q'TY
A	BACK		1
B	SEAT		1
C	Backrest		1
D	Left wing		1
E	Right wing		1
F	Armrest(L)		1
G	Armrest(R)		1

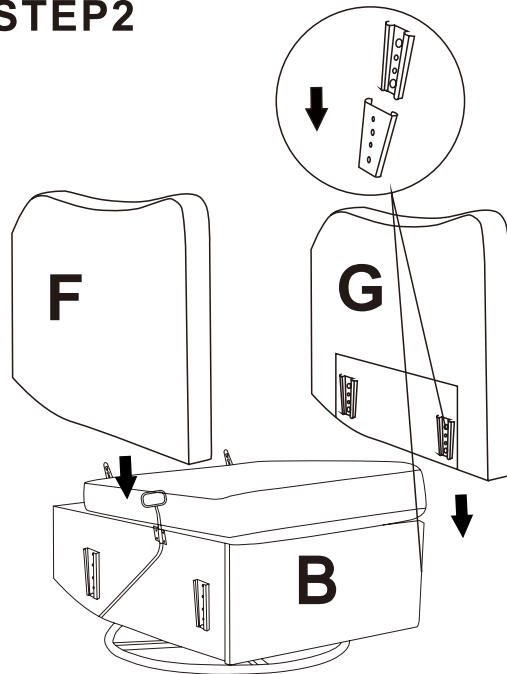
ASSEMBLE INSTRUCTION

ITEM NO. **N701P204805+N701P204806** (2-2) 1x 

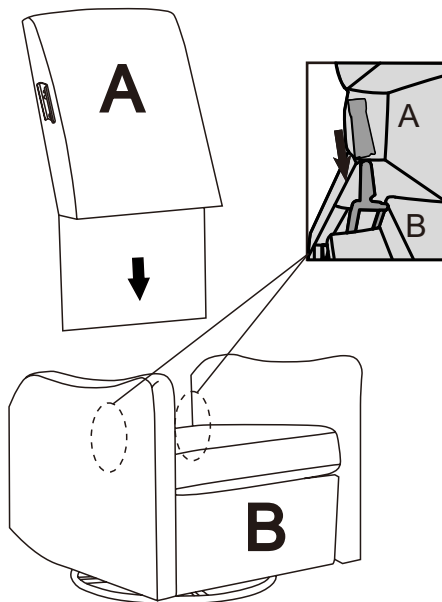
STEP1



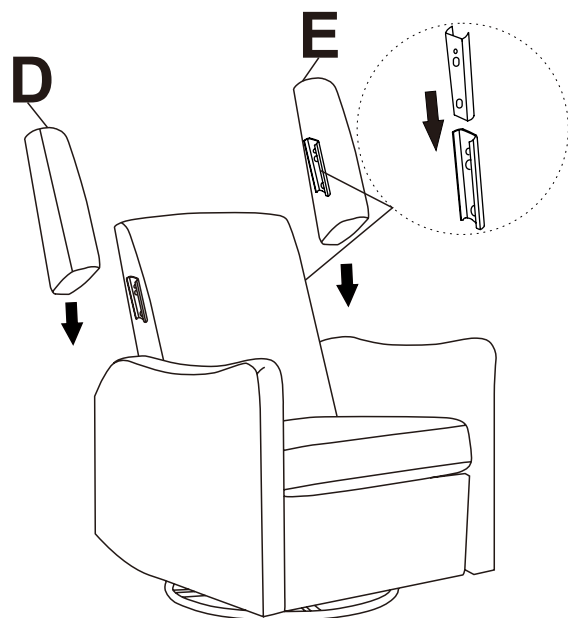
STEP2



STEP3




STEP4

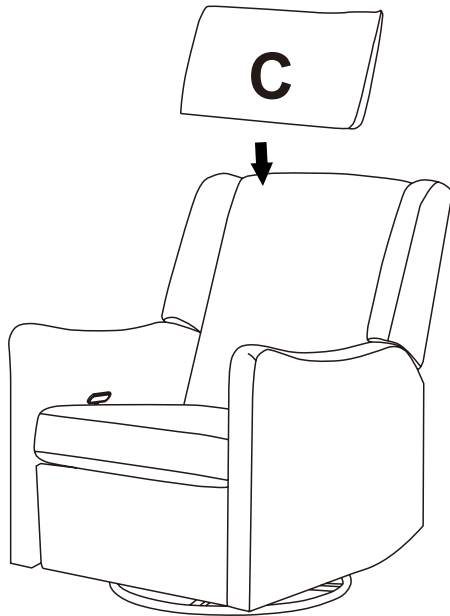


ASSEMBLE INSTRUCTION

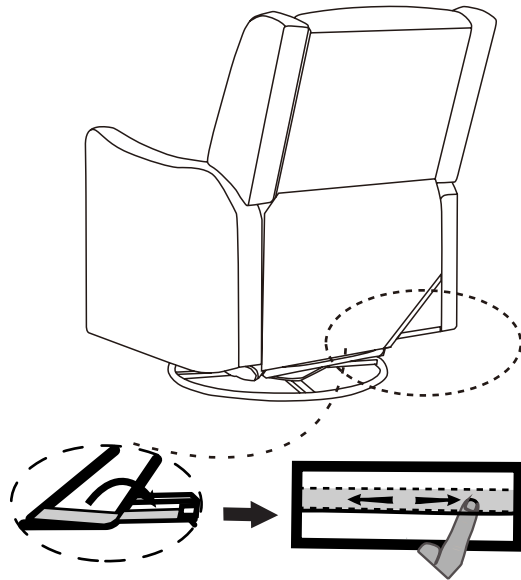
ITEM NO. **N701P204805+N701P204806**

(2-2) 1x 

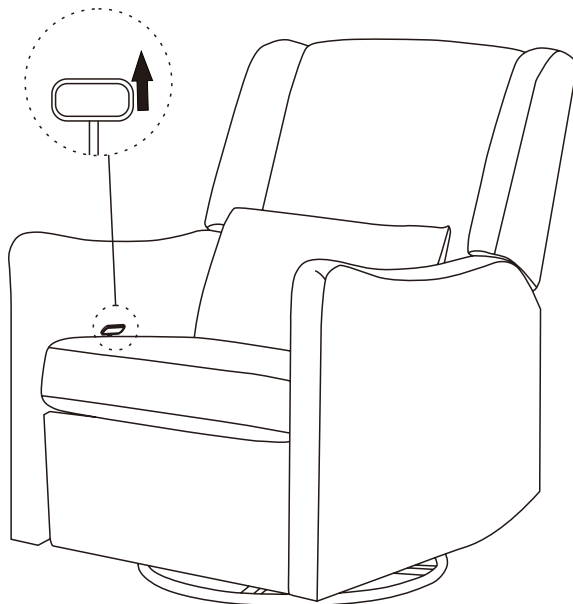
STEP5



STEP6



STEP7



STEP8

