

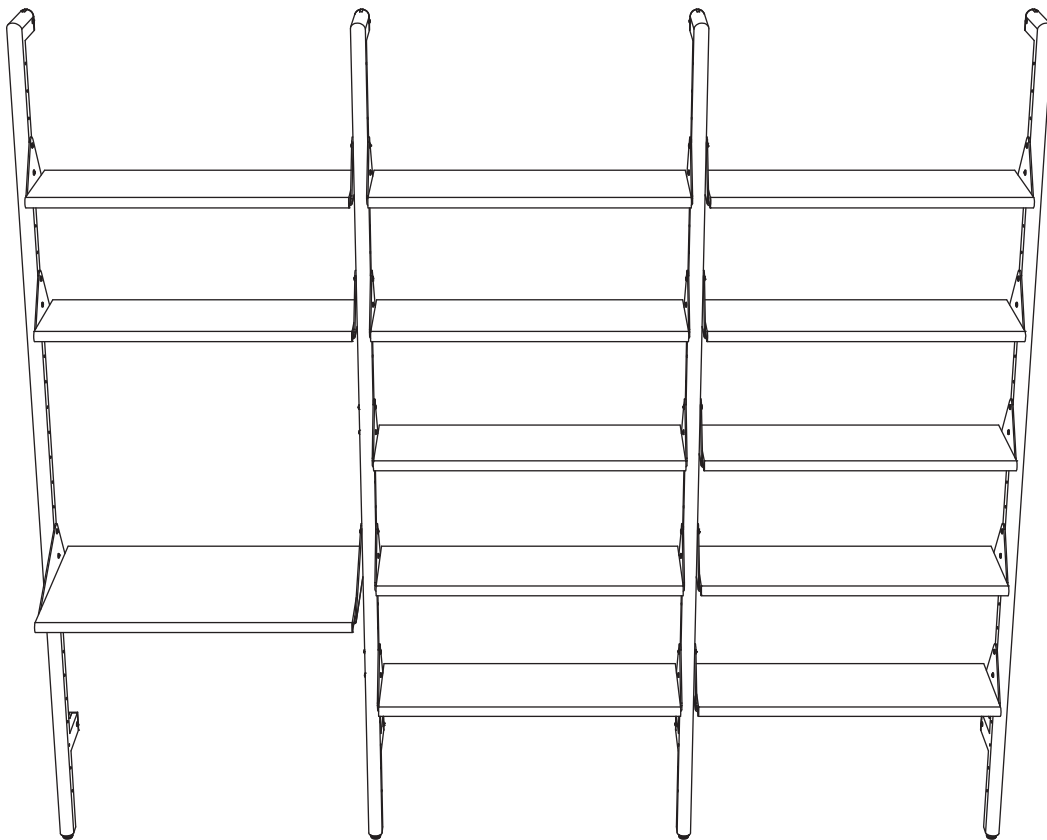
Branch Shelving System

Assembly Instructions

These installation instructions list the components and steps to create any Branch configuration. Review this document completely before beginning installation.

Please take time to identify the hardware as well as the individual components of the product. As you unpack and prepare for assembly, place them carefully on the floor and protect them from damage. Please follow the assembly instructions closely. Improper assembly may result in personal or property damage. We've included drywall anchors. Be sure to use anchors appropriate for your wall.

Depending on use, it may be necessary to tighten the screws and hardware periodically to maximize the stability of the shelving system components.

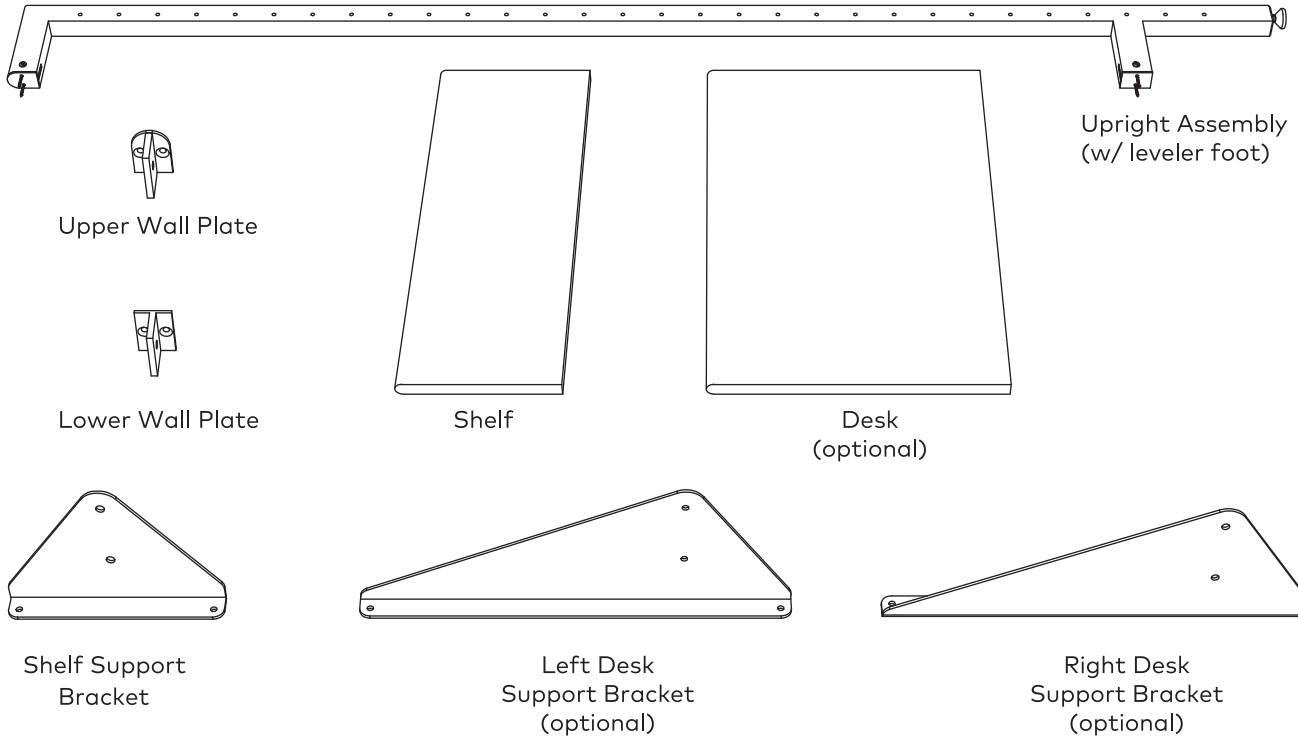


Branch - 3 Shelving Unit w/ Desk
(individual configurations may differ)



Modern
furniture
made
simple.

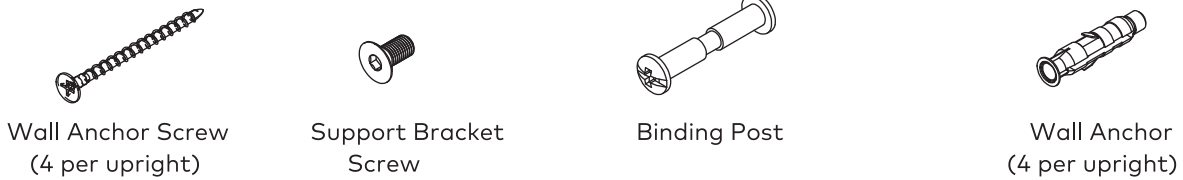
Branch Shelving System Components



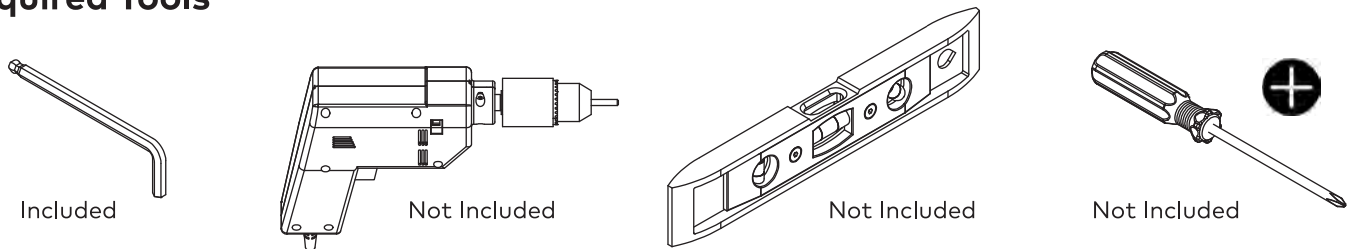
Installation Templates



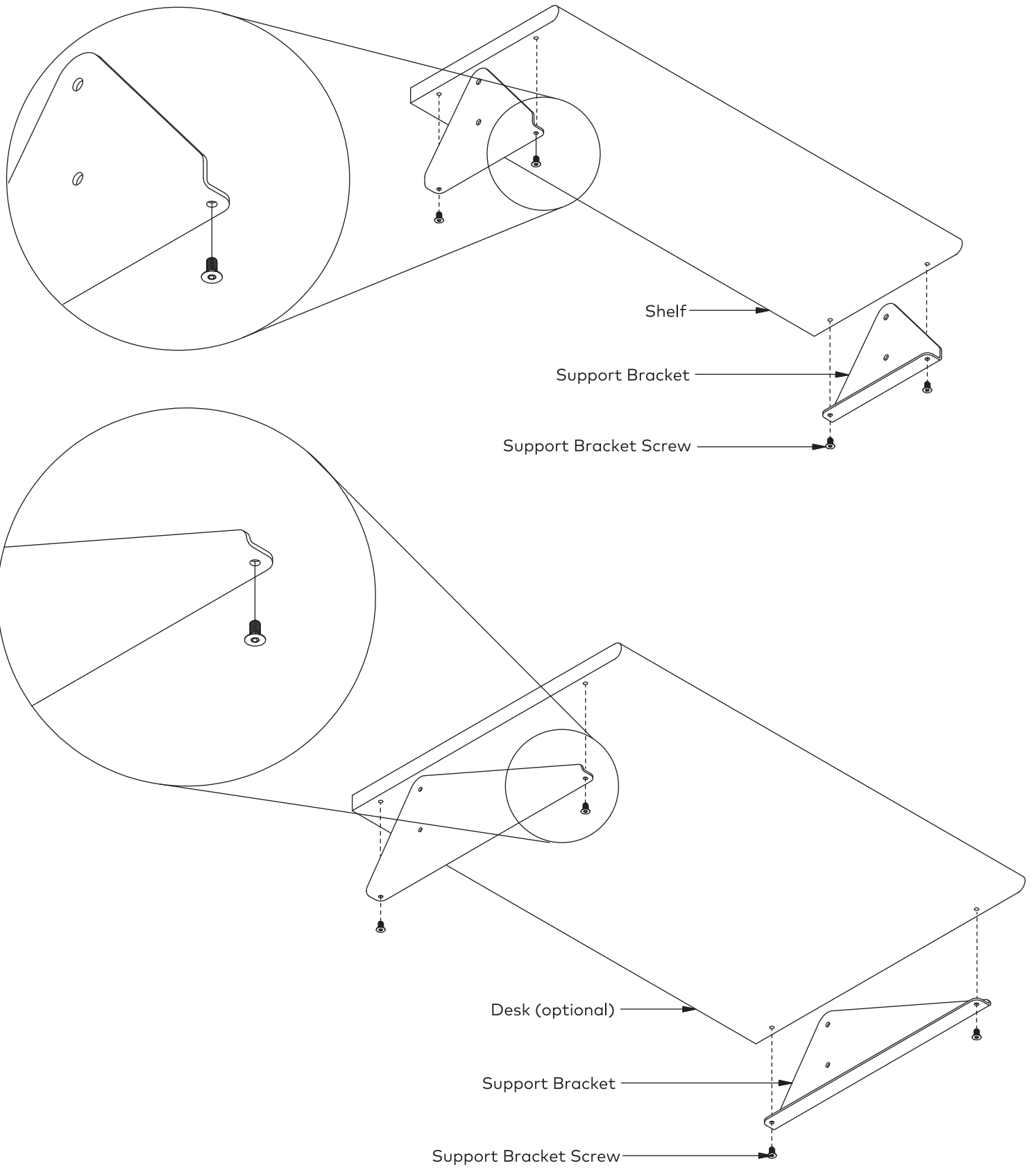
Installation Hardware



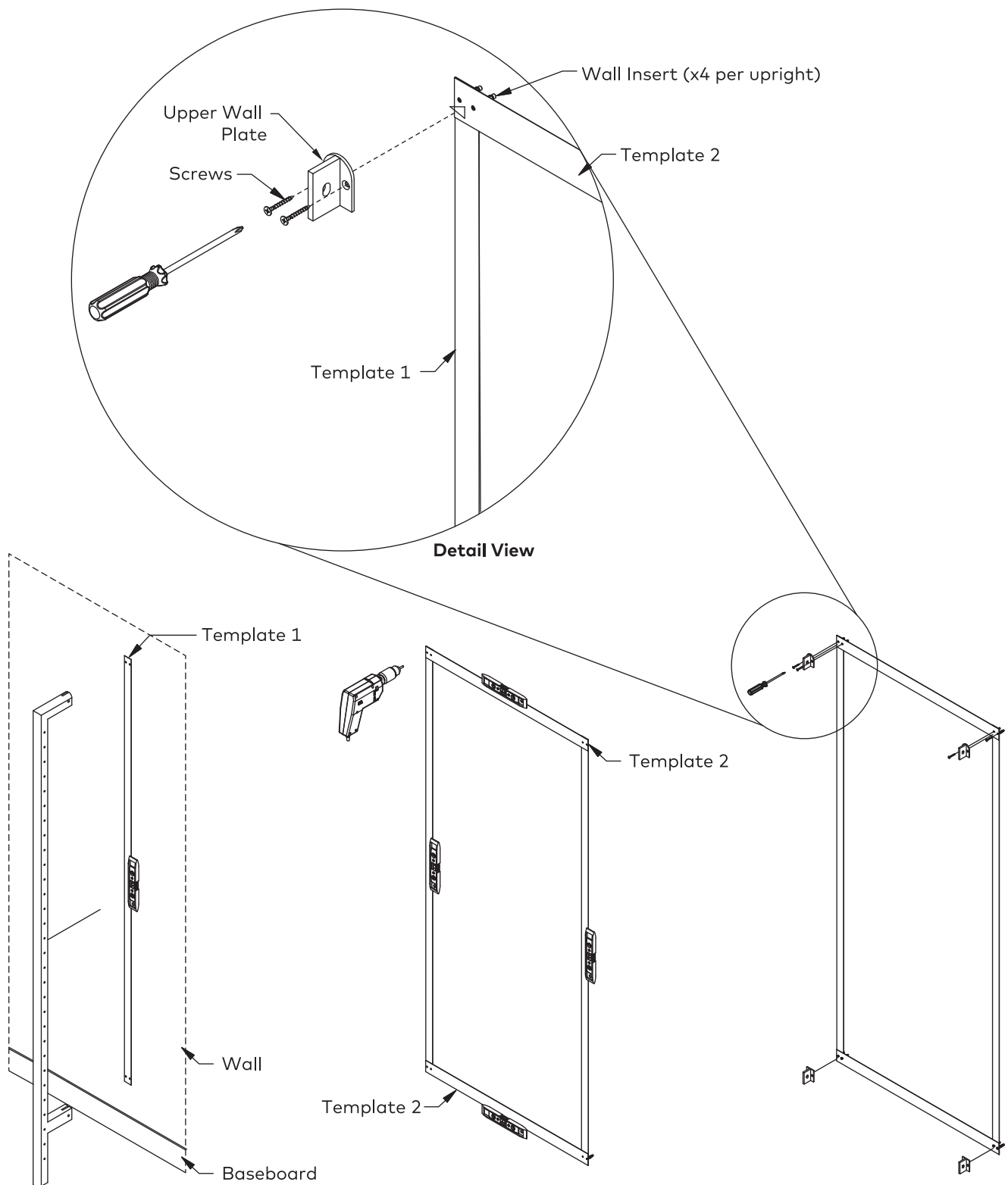
Required Tools



Shelf And Desk Pre-Assembly



Installing Upright Wall Plates



Step 1

- Adjust leveler foot to approximately half way out in its adjustment range.
- Based on finished size of your specific configuration begin at one end and determine the location of the first upright placement.
- Align top of Template 1 and top of upright.
- Tape Template 1 to wall.
- Use level to ensure template is vertical.

Step 2

- Ensure that all holes align and both Templates 1 and 2 are taut.
- Tape Template 2 to wall using a level.
- Drill all holes in wall and install wall anchors.

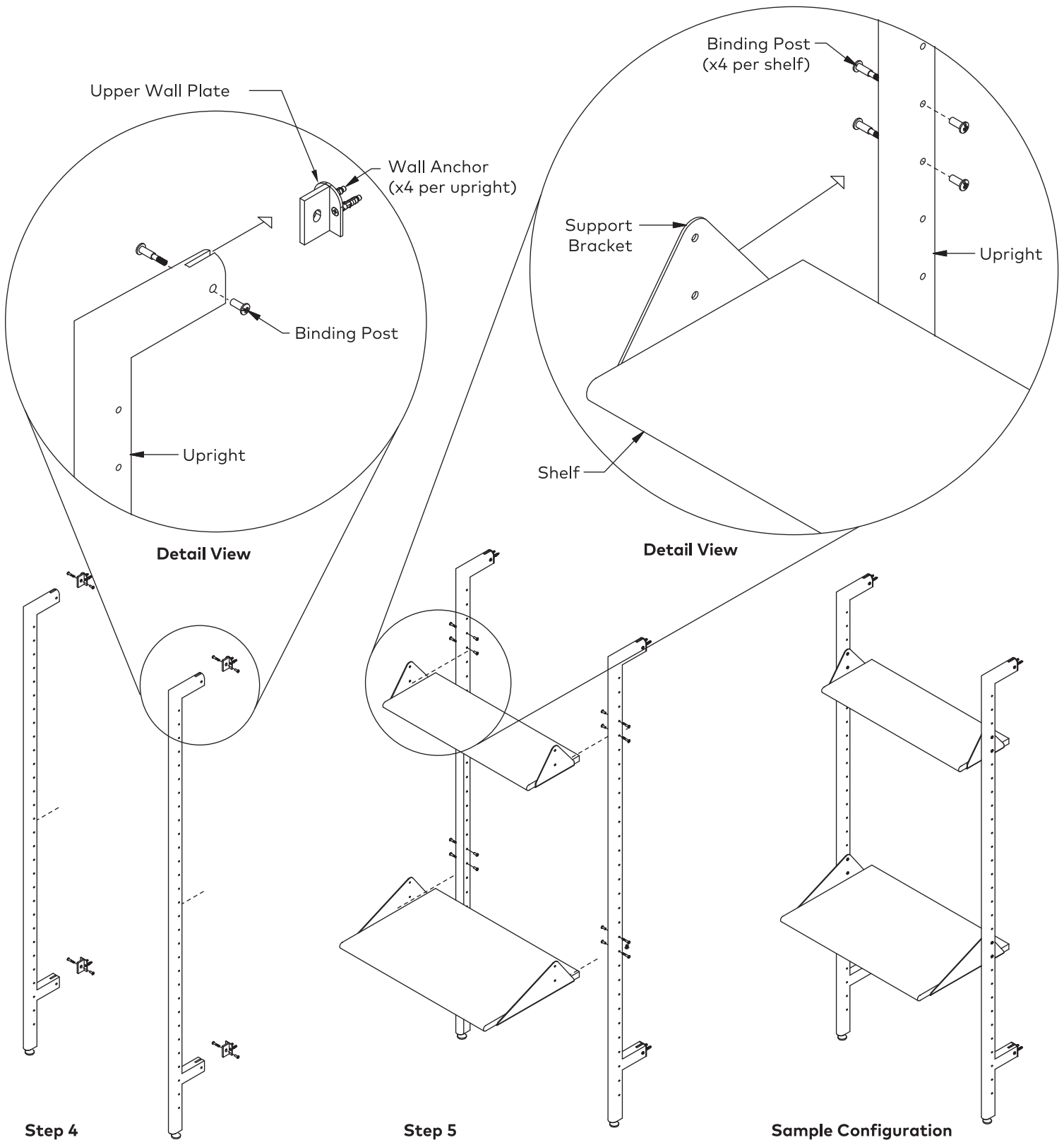
Step 3

- Remove Templates 1 and 2 from wall.
- Fasten upper and lower wall plates into wall anchors.



Modern
furniture
made
simple.

Installing Uprights And Shelf / Desk Assemblies



Step 4

- A) Fit uprights into upper and lower wall plates.
- B) Align holes in wall plates and holes in uprights.
- C) Fasten uprights into wall plates with threaded binding posts.
- D) Adjust leveler foot to accommodate any variation in floor pitch.

Step 5

- A) Fit shelves or optional desk into desired location between uprights.
- B) Align threaded binding posts and support brackets.
- C) Insert threaded binding posts and tighten from both sides until snug.
- D) If multiple bays require support brackets at same height note that binding posts are designed to adjust to the extra length needed.

Sample Configuration



Modern furniture made simple.

Considerations For Multiple Bay Configurations

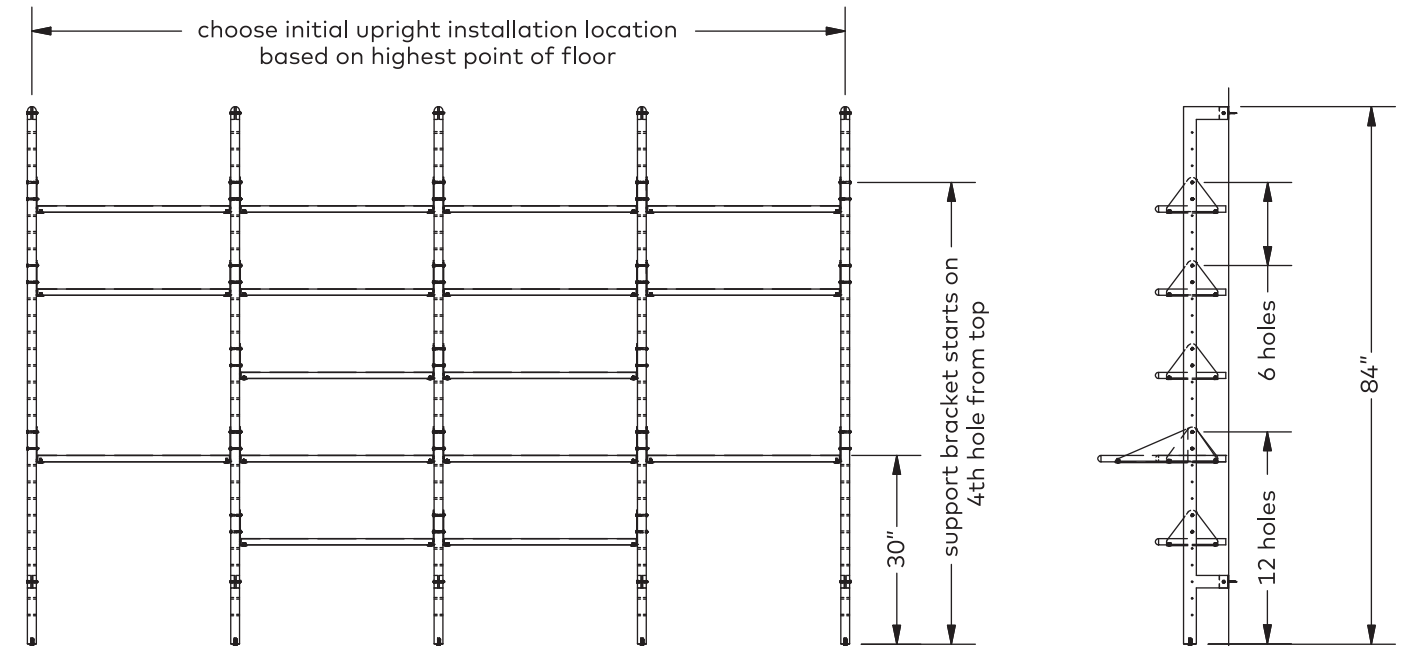
Floor Level. If you are installing more than two bays of Branch Shelving in a row, then it is important to consider the slope of the floor. Please ensure that your floor is level by using a longer level along the floor at the bottom of the desired wall for the installation.

- If the floor is level and does not slope down left or right then you are free to start your install without regard for the floor. We do however recommend that you leave a few turns of the level feet out, so they can be adjusted up or down slightly if needed.

- If the floor is sloping to the left or right, then it is important to start the install at the highest point of the floor. We suggest to start at the highest point with the level feet of the uprights turned to their lowest point for the initial install. As the floor slopes downward the level feet of the uprights can be unscrewed to allow them to touch the floor.

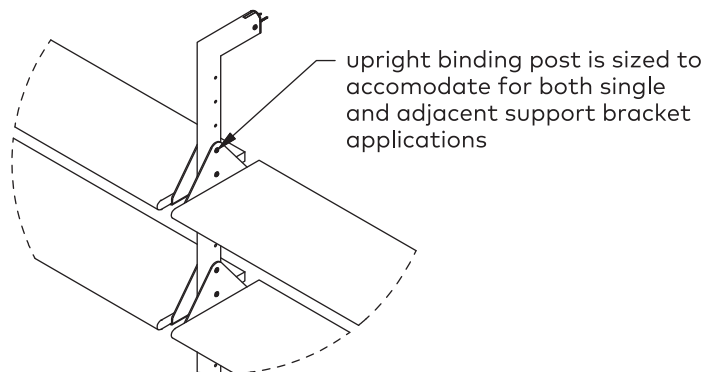
Testing the upright installation accuracy. Once you have the first two upright wall plates installed and uprights placed over top, we recommend using the shelves with brackets as a way ensure the uprights are spaced accurately side to side and are level. You can add one at the top and bottom to get a quick idea if the initial uprights are aligned. The Branch Shelving System uprights have features to compensate for some minor variances in floors and walls.

Using a handyman service. A typical three bay Branch Shelving System can take an experienced handyman approximately 1.5 hours to install. The angles of your floor and wall all come into play when determining the complexity of install time. The more out of alignment these elements are, the more experience is needed to ensure an accurate fit and finish. Although the Branch Shelving System has tolerances to account for floor and wall imperfections, a good handyman is recommended for larger multiple bay configurations.

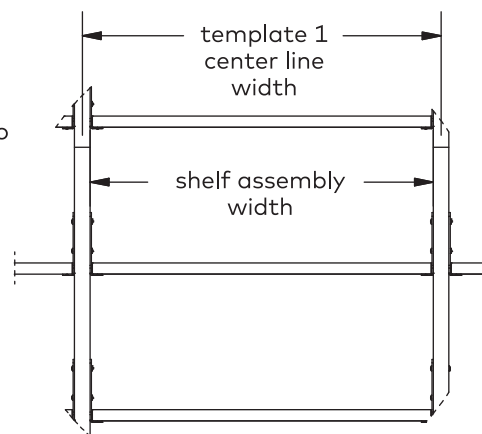


Front View - Multiple Bay - Sample Configuration

Side View



Support Shelf Detail



Shelf Detail



Modern furniture made simple.