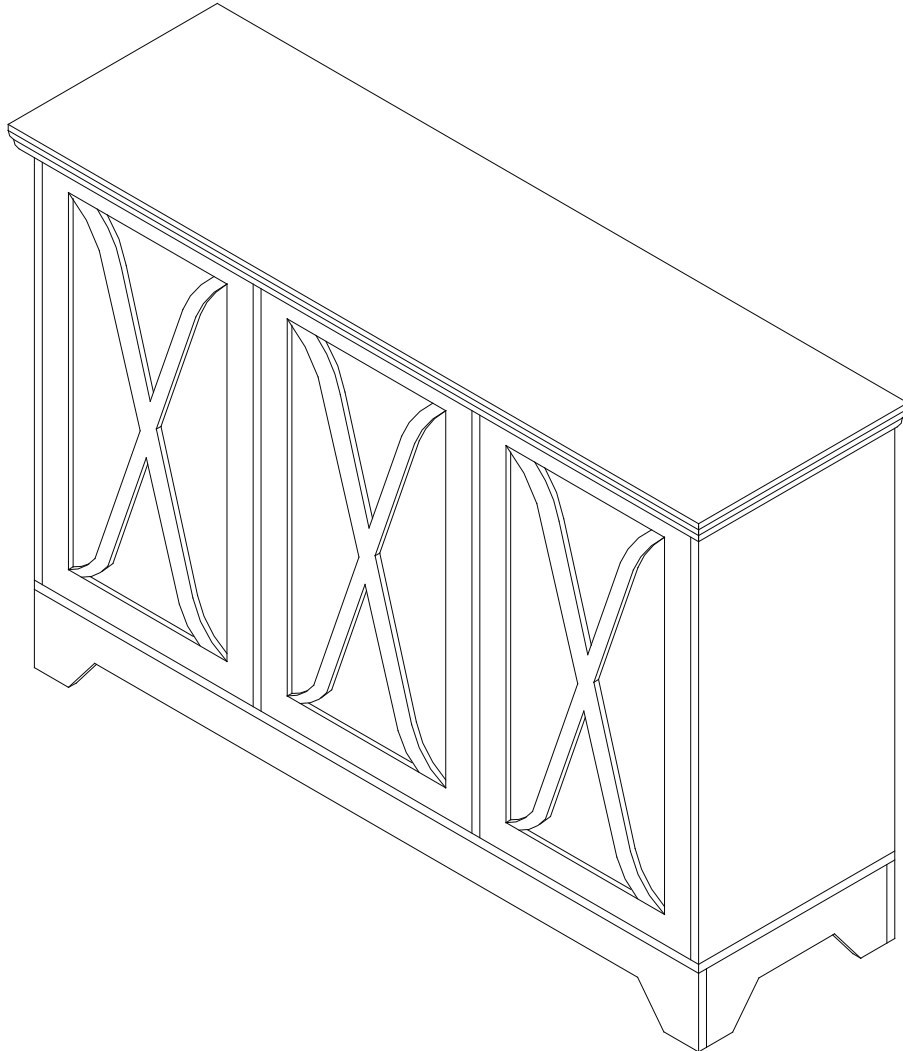


Assembly Instructions

Reflections Buffet/Console with Mirror






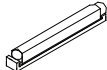


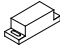
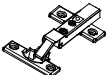




Thank you for purchasing our product!

Please assemble the products with the guidance of this manual instruction. Contact our friendly customer service department with any comments or in case there is any missing or damaged parts or hardware. Replacements for missing or damaged parts or hardware are normally shipped within 2 to 3 days.

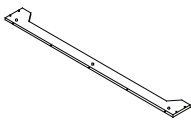
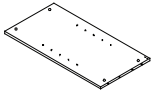
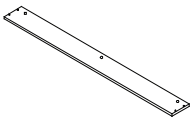
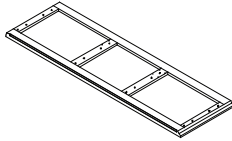
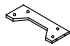
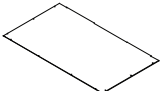
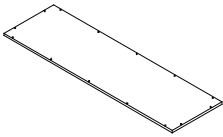
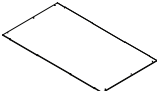
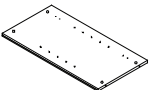
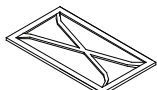
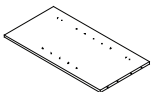

Within 30-days from delivery date

We appreciate your business!

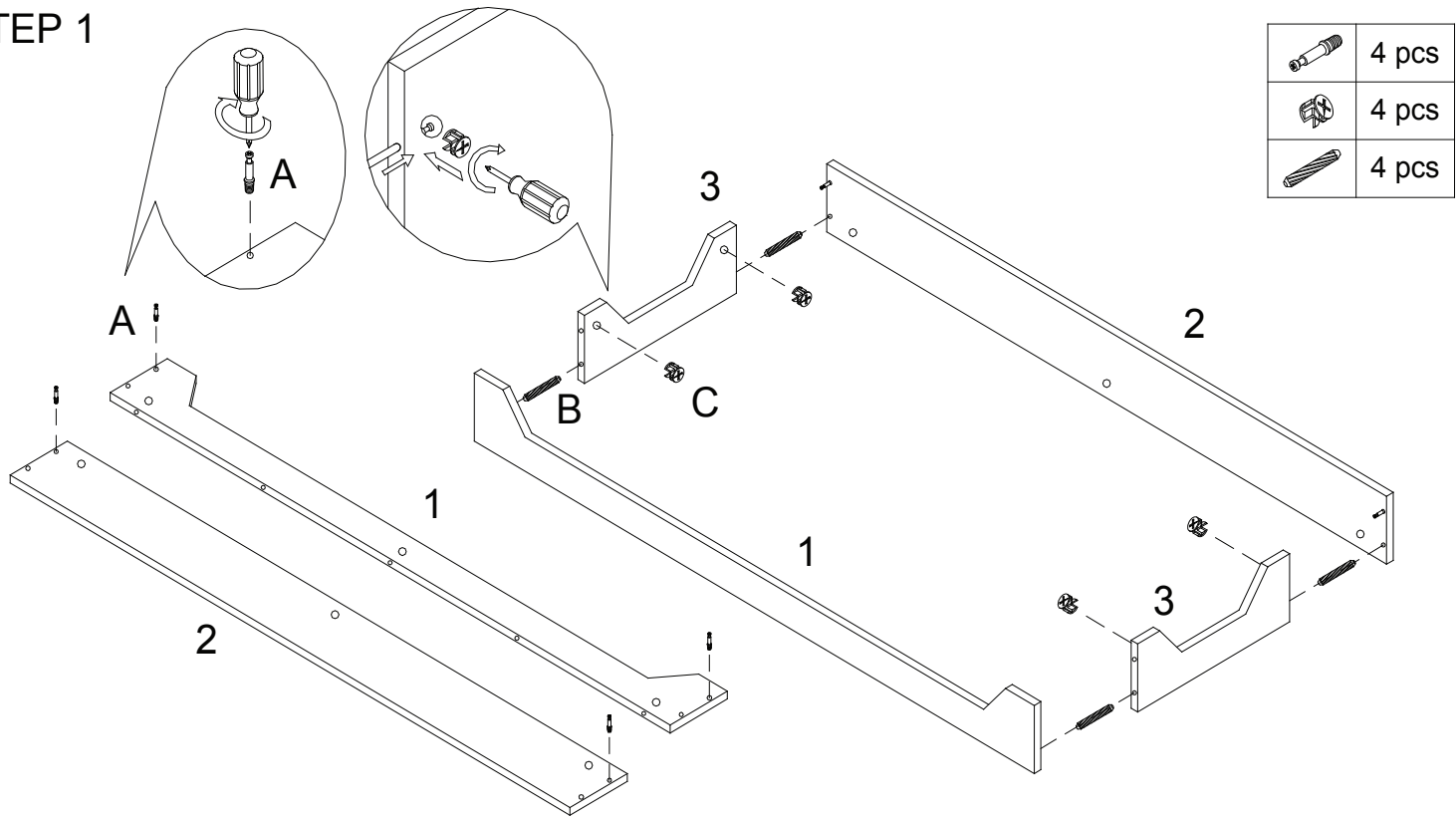
Hardware List

ITEM	DESCRIPTION	PART	QTY	ITEM	DESCRIPTION	PART	QTY
A	Cam Bolt 6X35mm		30 pcs	G	Screw 3X10mm		6 pcs
B	Camlock 15X12mm		30 pcs	H	Reflective Device		3 pcs
C	Wooden Dowel 6X30mm		24 pcs	I	Screw 3.5X16mm		6 pcs
D	Magnetic Catch		3 pcs	J	Door Hinge		6 pcs
E	Screw 2.5X10mm		40 pcs	K	Screw 4X14mm		24 pcs
F	Magnetic Bar		6 pcs	L	Supporter		12 pcs

Part List

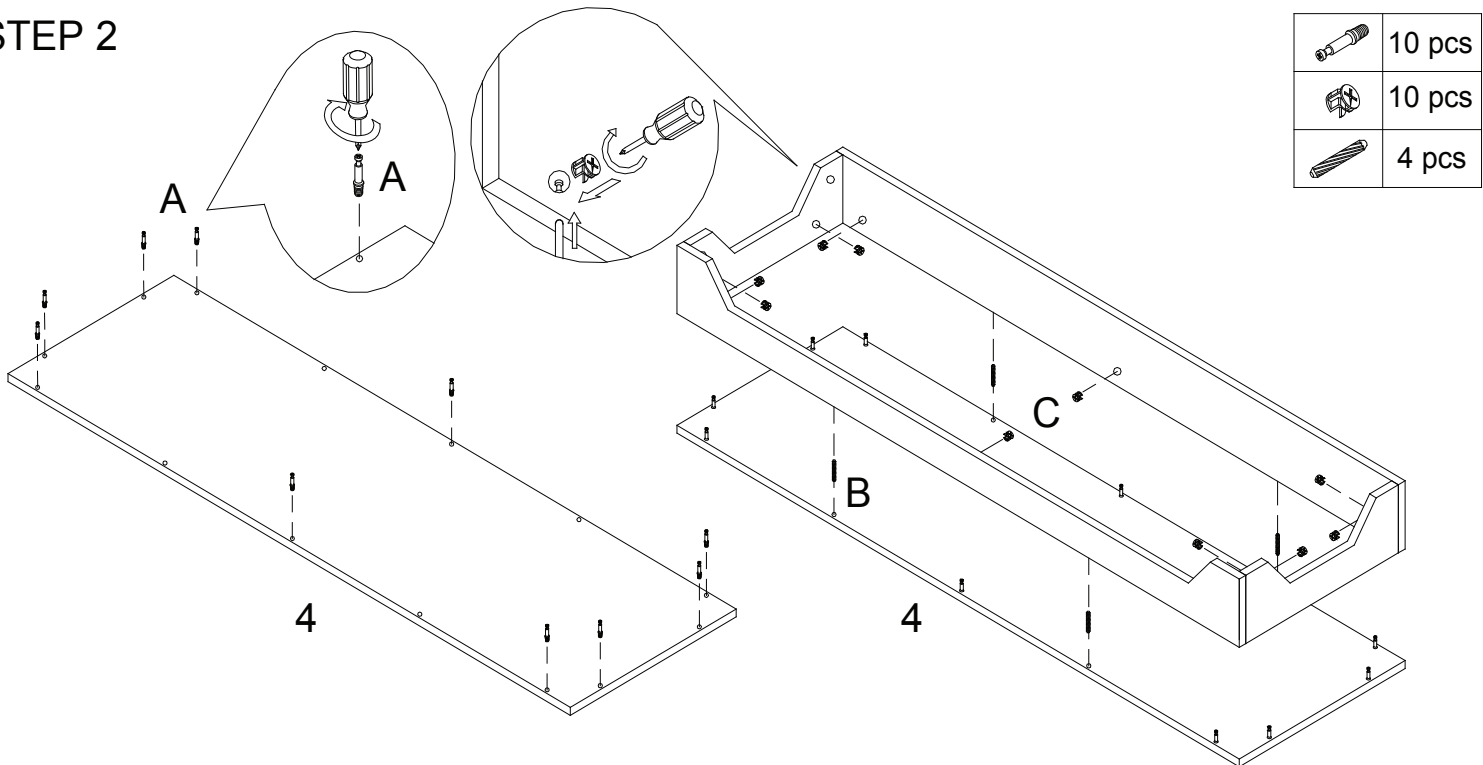
ITEM	DESCRIPTION	PART	QTY	ITEM	DESCRIPTION	PART	QTY
1	Bottom Front Rail 1272X130X15mm		1 pc	7	Right Middle Panel 724X370X15mm		1 pc
2	Bottom Back Rail 1272X130X15mm		1 pc	8	Top Panel 1321X400X30mm		1 pc
3	Bottom Side Rail 344X130X15mm		2 pcs	9	Side Back Panel 741X418X3mm		2 pcs
4	Bottom Panel 1274X375X15mm		1 pc	10	Middle Back Panel 741X418X3mm		1 pc
5	Side Panel 724X374X15mm		2 pcs	11	Door 720X400X18mm		3 pcs
6	Left Middle Panel 724X370X15mm		1 pc	12	Adjustable Shelf 401X350X12mm		3 pcs

STEP 1



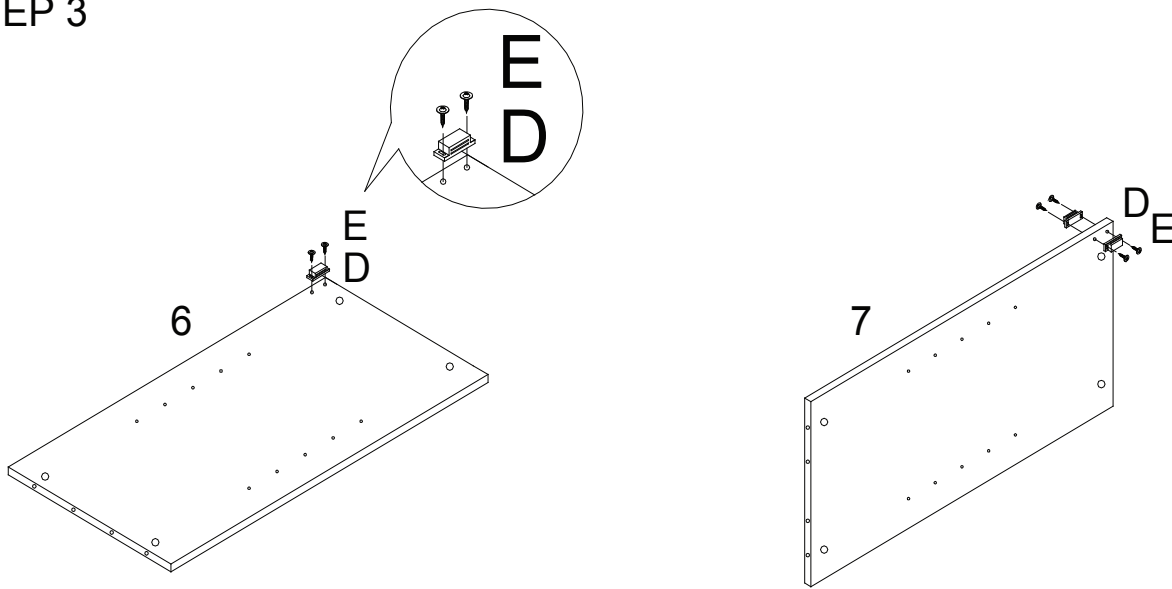
1. Attach cam bolt (A) to bottom front rail (1) and bottom back rail (2).
2. Insert wooden dowel (B) to bottom side rail (3).
3. Attach bottom front rail (1) and bottom back rail (2) to bottom side rail (3).
4. Insert camlock (C), then rotate clockwise to secure cam bolt in place.

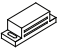

STEP 2



1. Attach cam bolt (A) to bottom panel (4).
2. Insert wooden dowel to the part from step 1.
3. Attach the assembled unit from step 1 to bottom panel (4) as shown.
4. Insert camlock (C), then rotate clockwise to secure cam bolt in place.

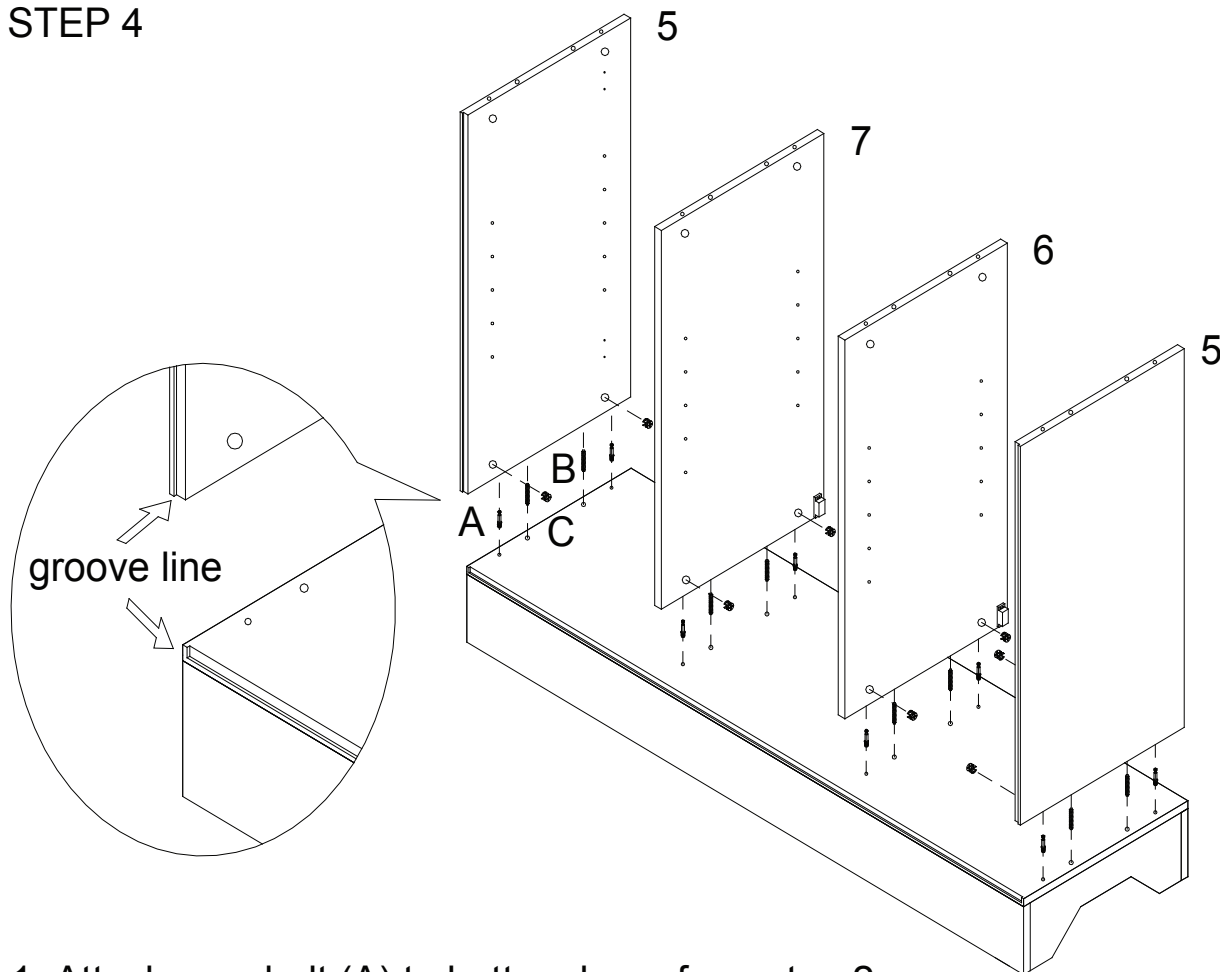
STEP 3






	3 pcs
	6 pcs

1. Attach magnetic catch (D) to left middle panel (6) and right middle panel (7) using screw (E) as shown.

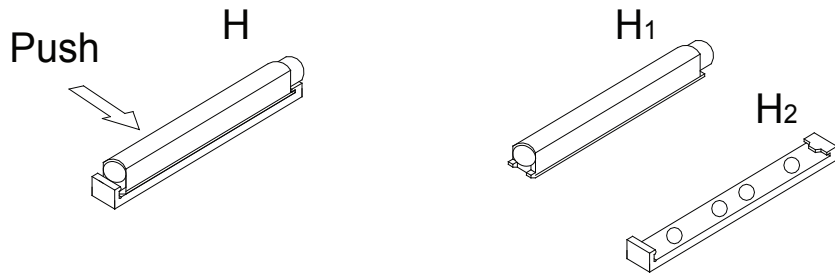
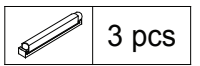
STEP 4



	8 pcs
	8 pcs
	8 pcs

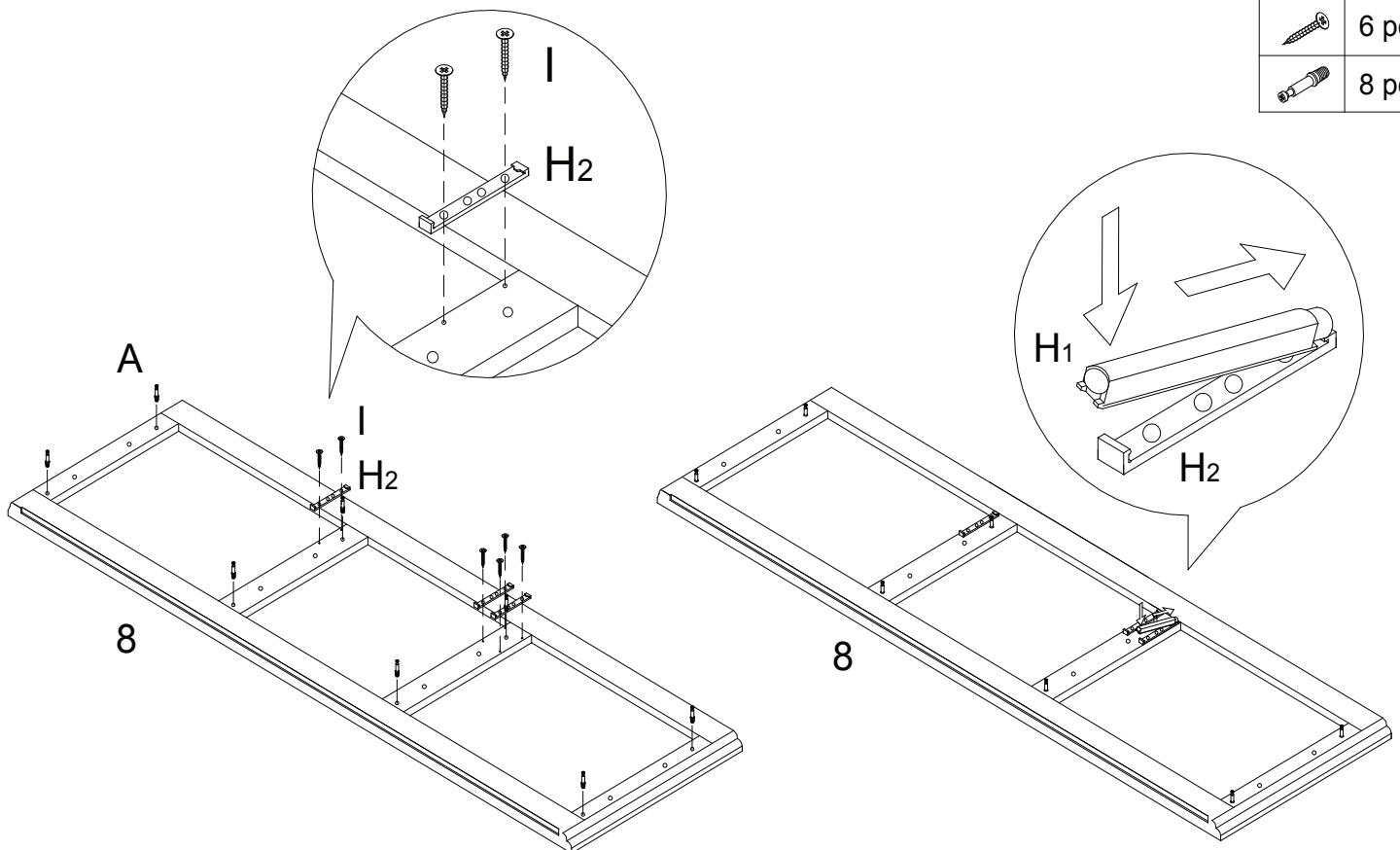
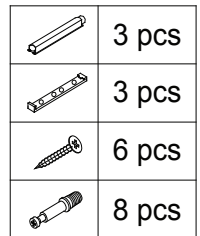
1. Attach cam bolt (A) to bottom base from step 2.
2. Insert wooden dowel to side panel (5) and middle panel (6).
3. Attach side panel (5), left middle panel (6) and right middle panel (7) to bottom base as shown.
4. Insert camlock (C), then rotate clockwise to secure cam bolt in place.

STEP 5



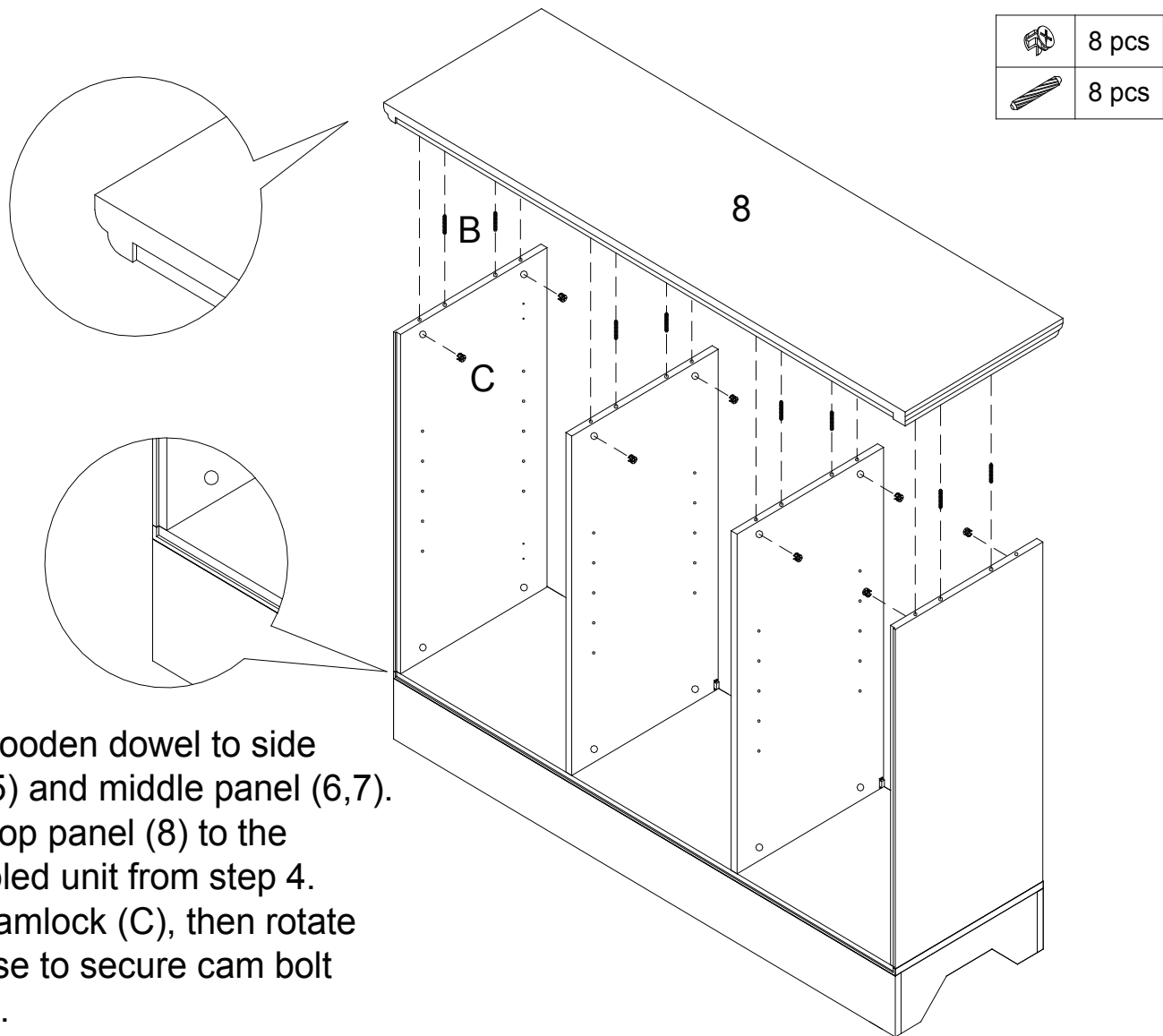
1. Remove reflective device (H₁) from (H₂) as shown.

STEP 6

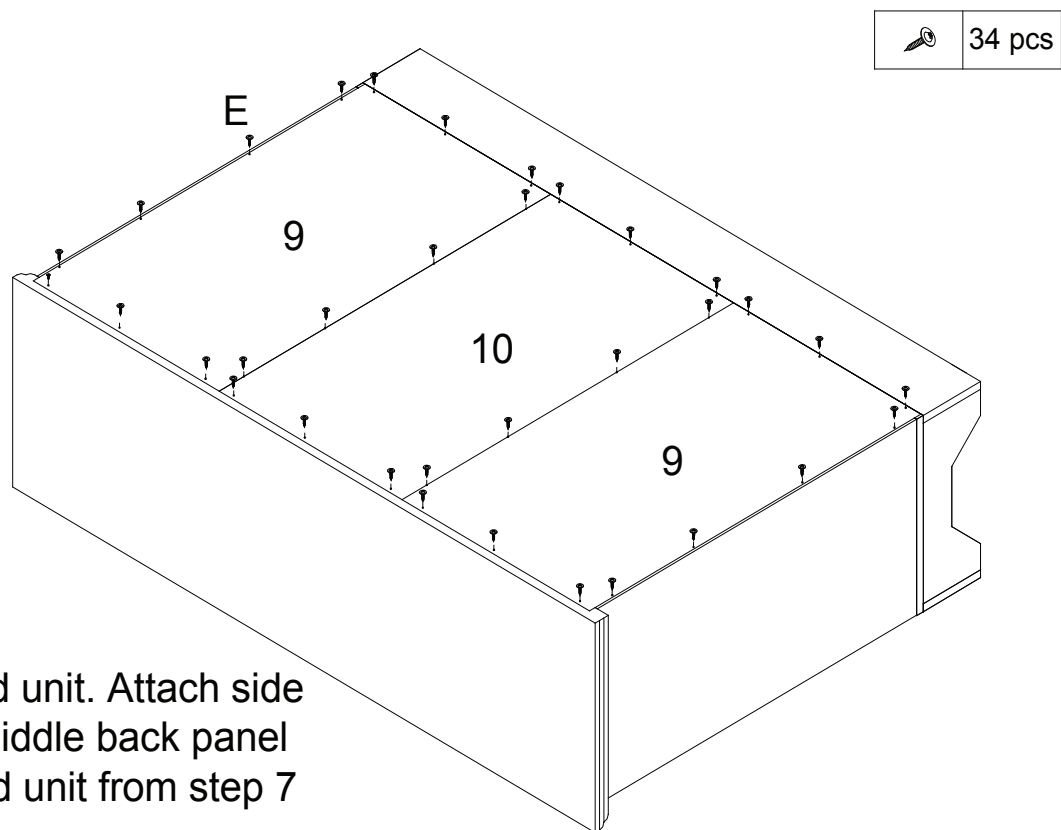


1. Attach cam bolt (A) to top panel (8).
2. Attach reflective device (H₂) to top panel (8) as shown.
3. Insert reflective device (H₁) to (H₂) and press the end of reflective device (H₁) as shown.





STEP 7

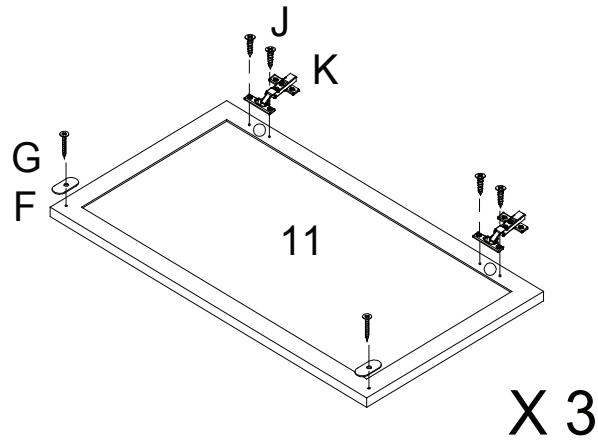


STEP 8




STEP 9

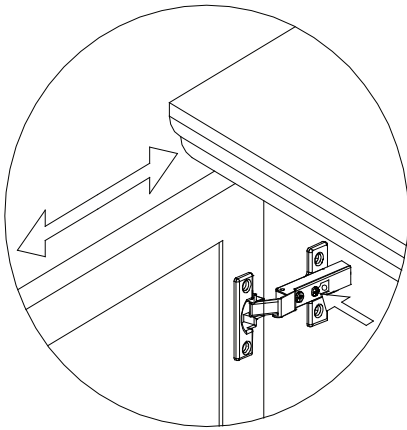
	6 pcs
	12 pcs
	6 pcs
	6 pcs



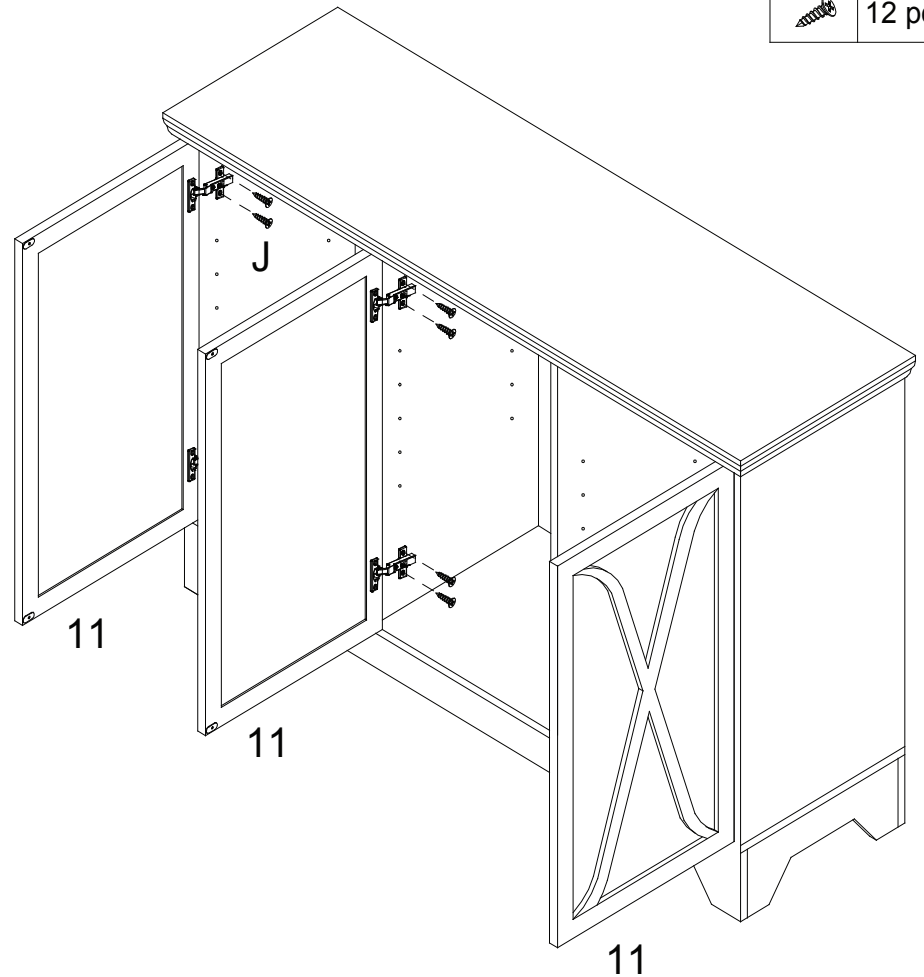
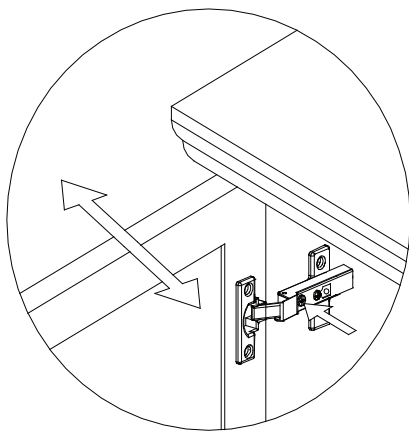
1. Attach magnetic bar (F) to door (11) using screw (G).
2. Attach door hinge (K) to door (11) using screw (J).

STEP 10

	12 pcs
---	--------




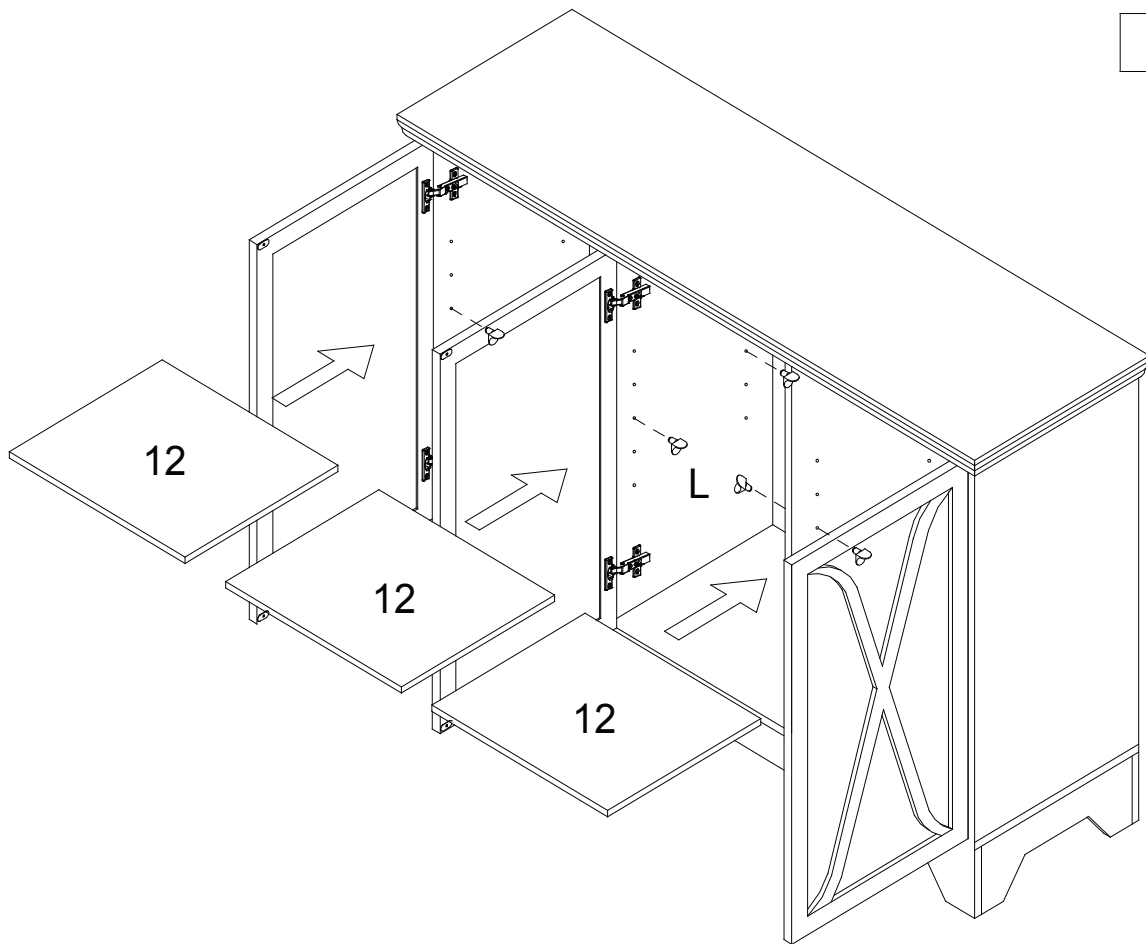
If necessary,
hinges are adjustable



1. Attach door (11) to the assembled unit using screw (J).
2. If necessary, please adjust the gap for the door by adjusting the screws on the hinge as shown.

STEP 11

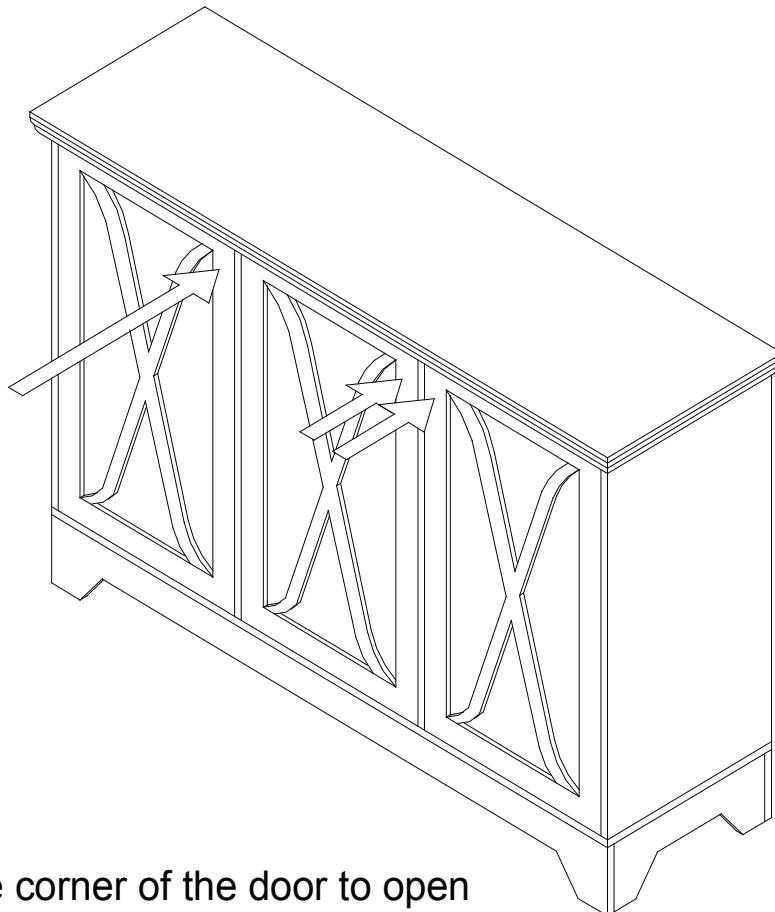
 12 pcs



1. Insert metal supporter (L) into your desired height level then place adjustable shelf (12) on it.

STEP 12

Push to open
or close



1. Please push the corner of the door to open or close it.