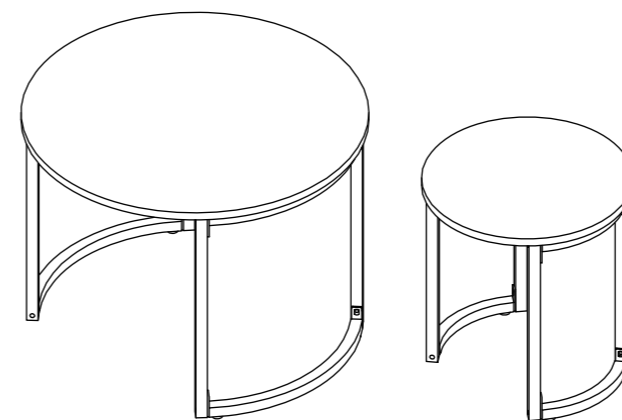
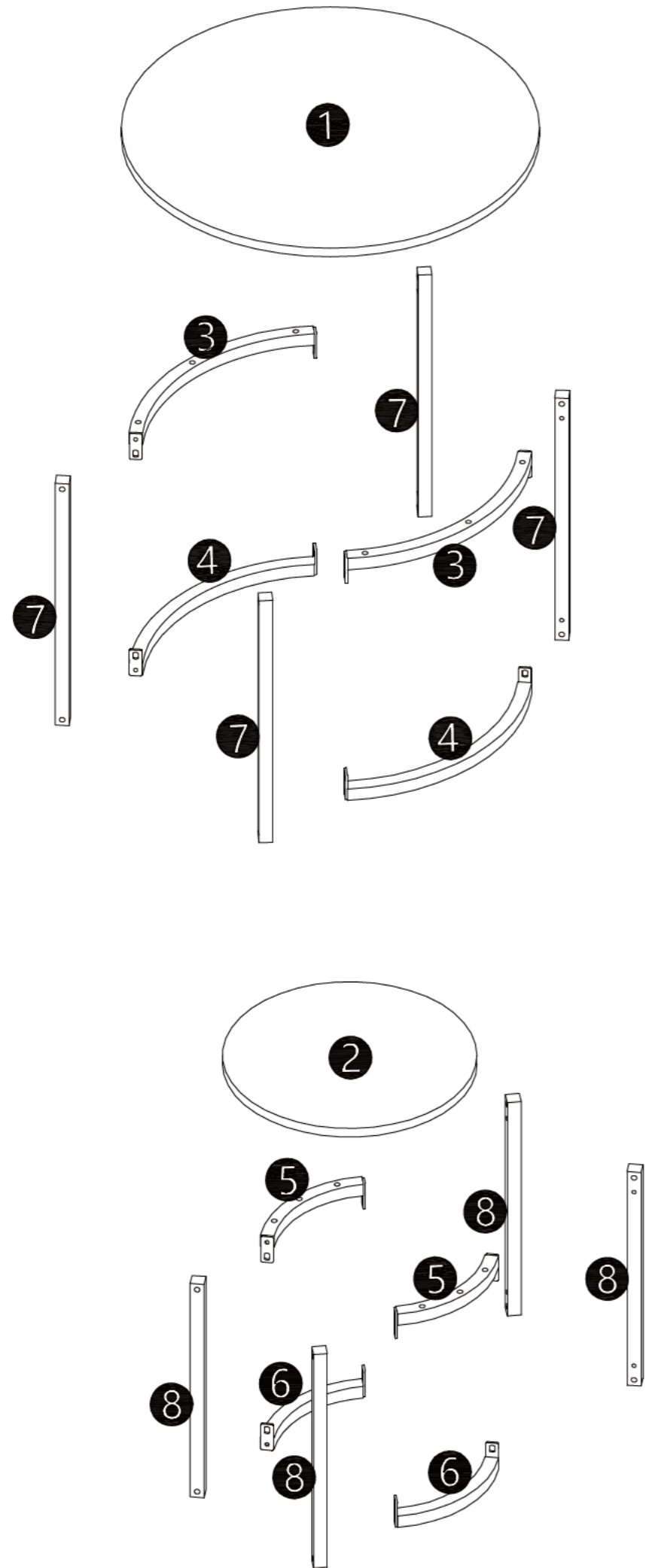


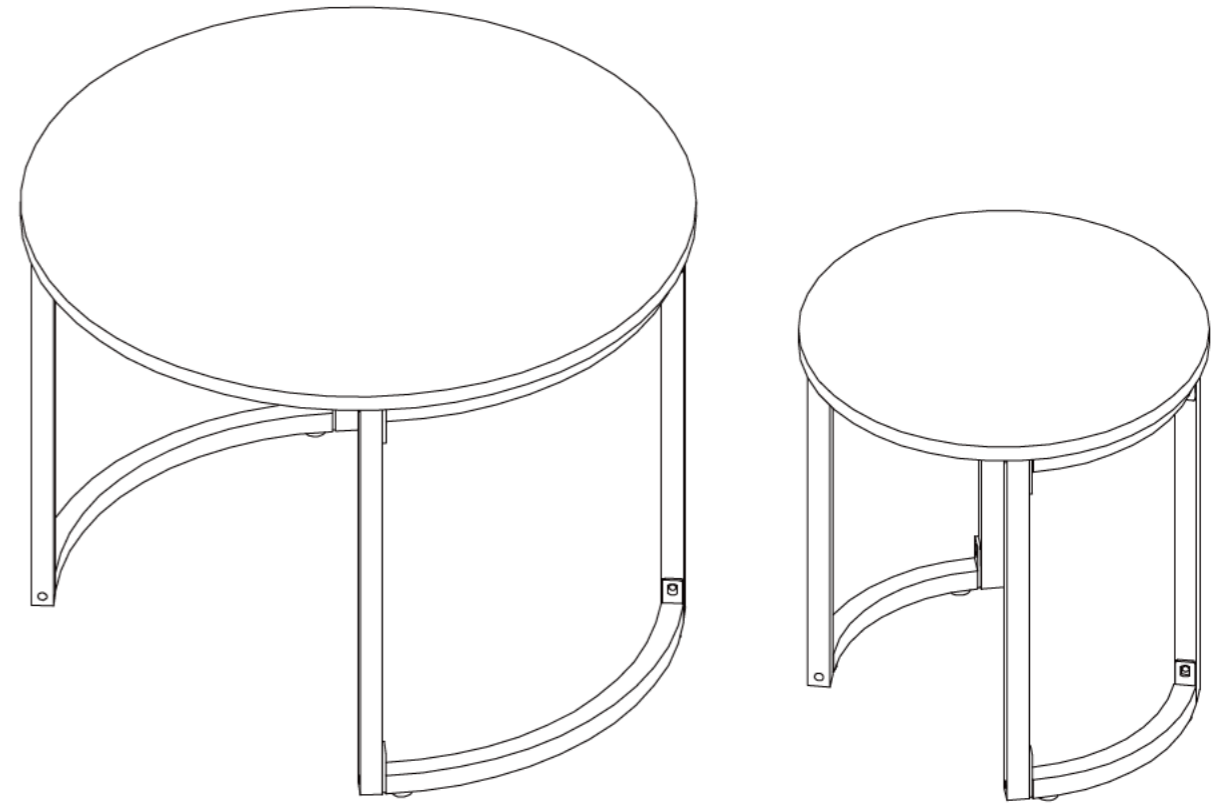
Coffee Table



Item Description: Coffee Table






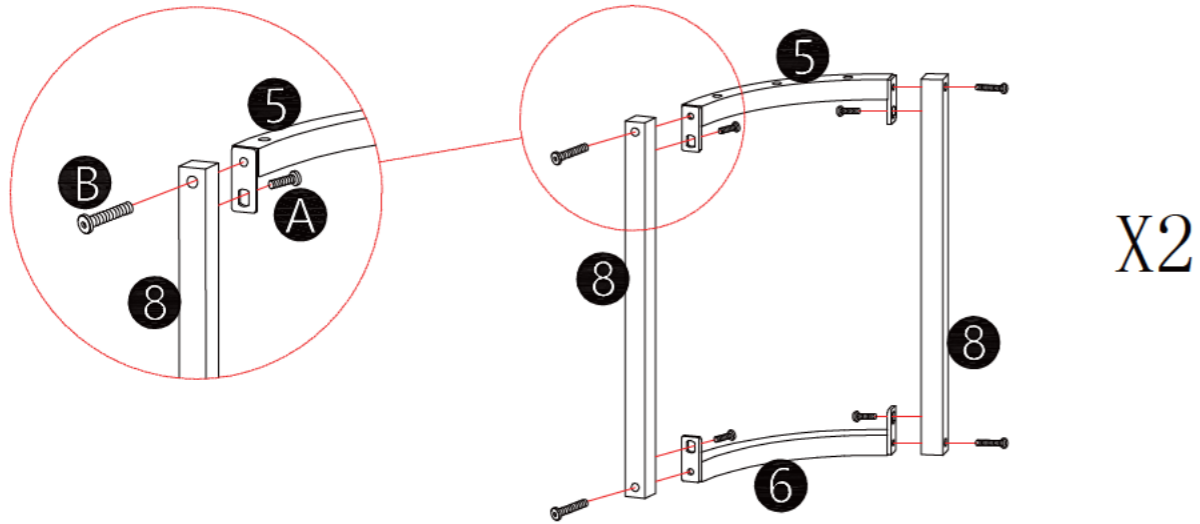
Step 5






Note: Check and tighten all screws

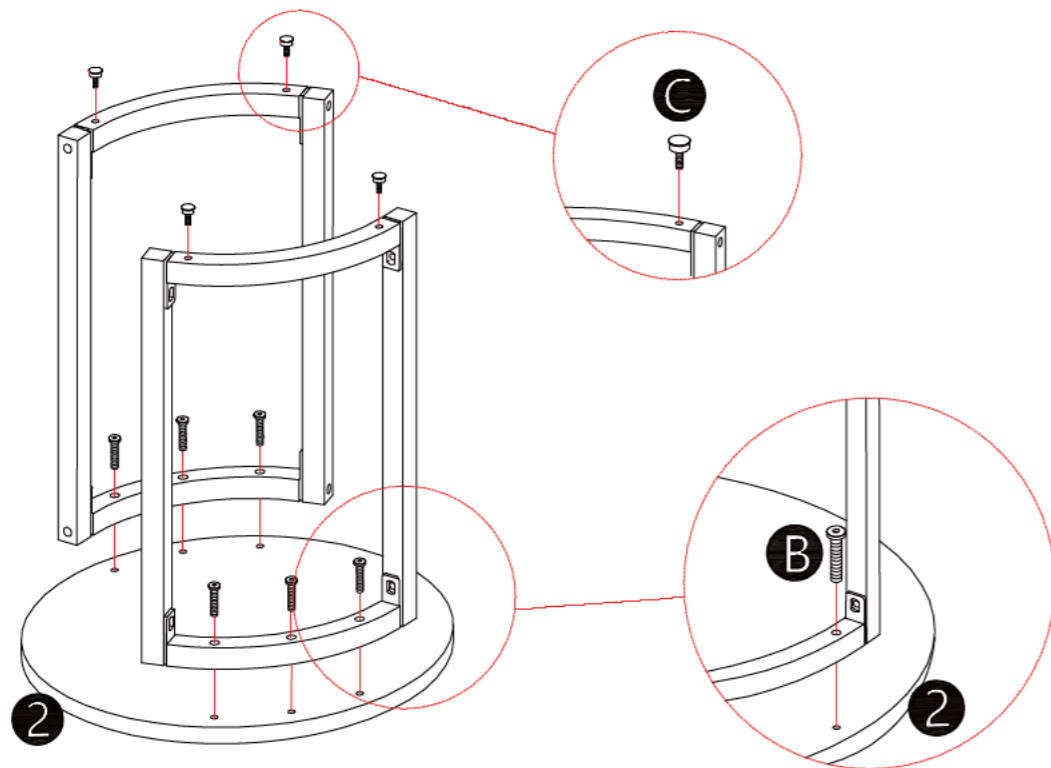
Step 3

A		M6*12mm	8PCS
B		M6*28mm	8PCS
D		4mm	1PC

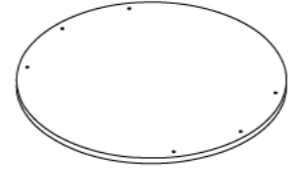

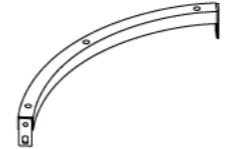

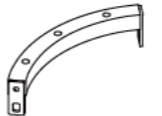
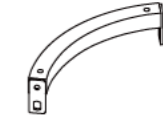
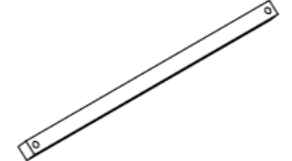



Step 4


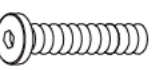


B		M6*28mm	6PCS
C			4PCS
D		4mm	1PC



Components

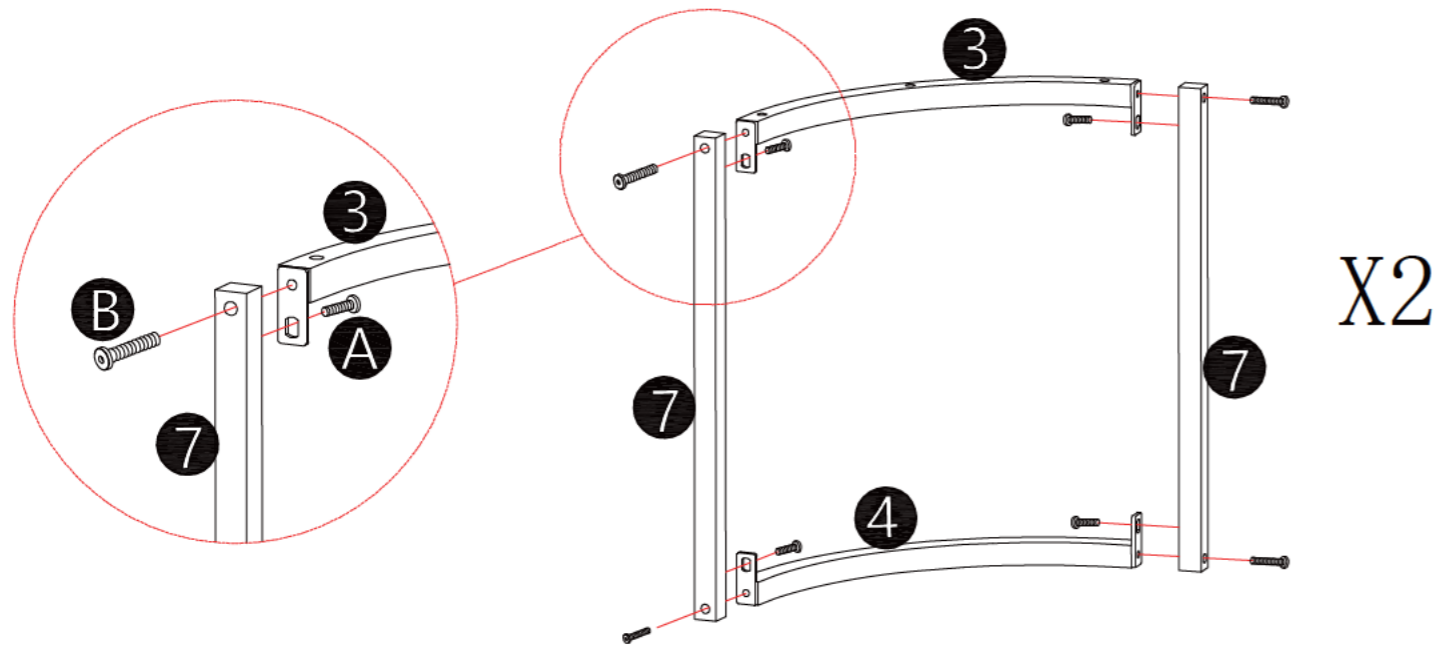
1		1pc	2		1pc
	∅ 600*15mm			∅ 365*15mm	
3		2pcs	4		2pcs
	378*45mm			378*45mm	
5		2pcs	6		2pcs
	210*45mm			210*45mm	
7		4pcs	8		4pcs
	425*20mm			375*20mm	

Screws & Tools

A		16pcs	B		28pcs
	M6*12mm			M6*28mm	
C		8pcs	D		1pc
				4mm	

Step 1

A M6*12mm 8PCS	B M6*28mm 8PCS	D 4mm 1PC
-----------------------------	-----------------------------	------------------------



Step 2

B M6*28mm 6PCS	C 4PCS	D 4mm 1PC
-----------------------------	------------------	------------------------

