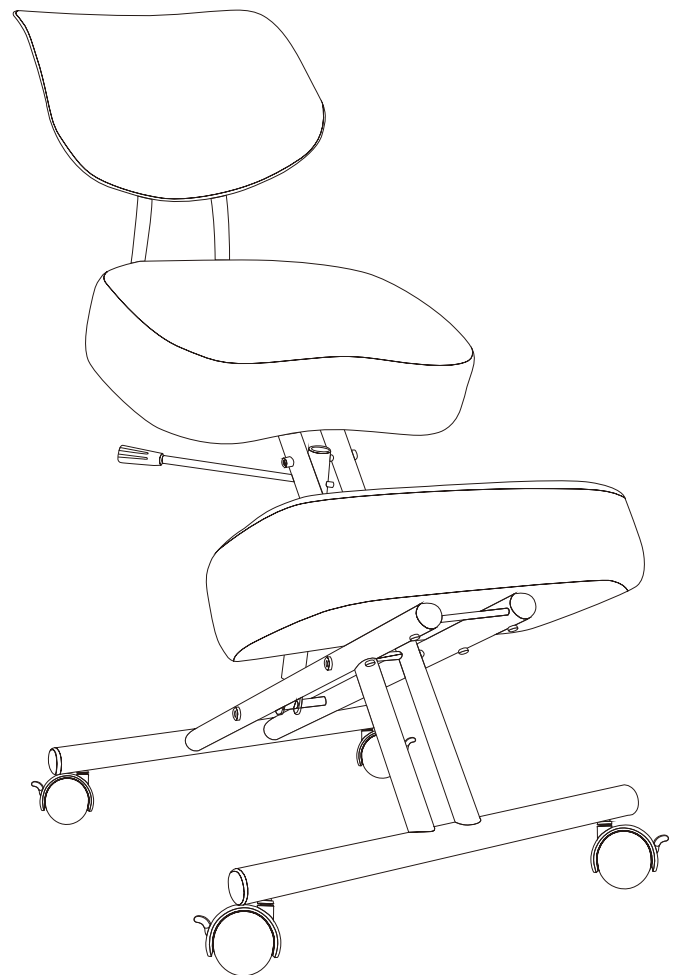
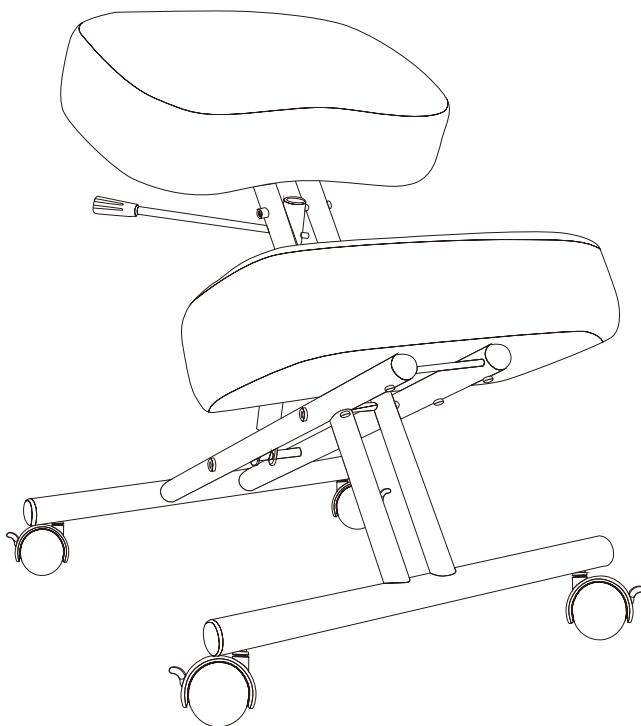


# Assembly Manual kneeling chair

KC 002

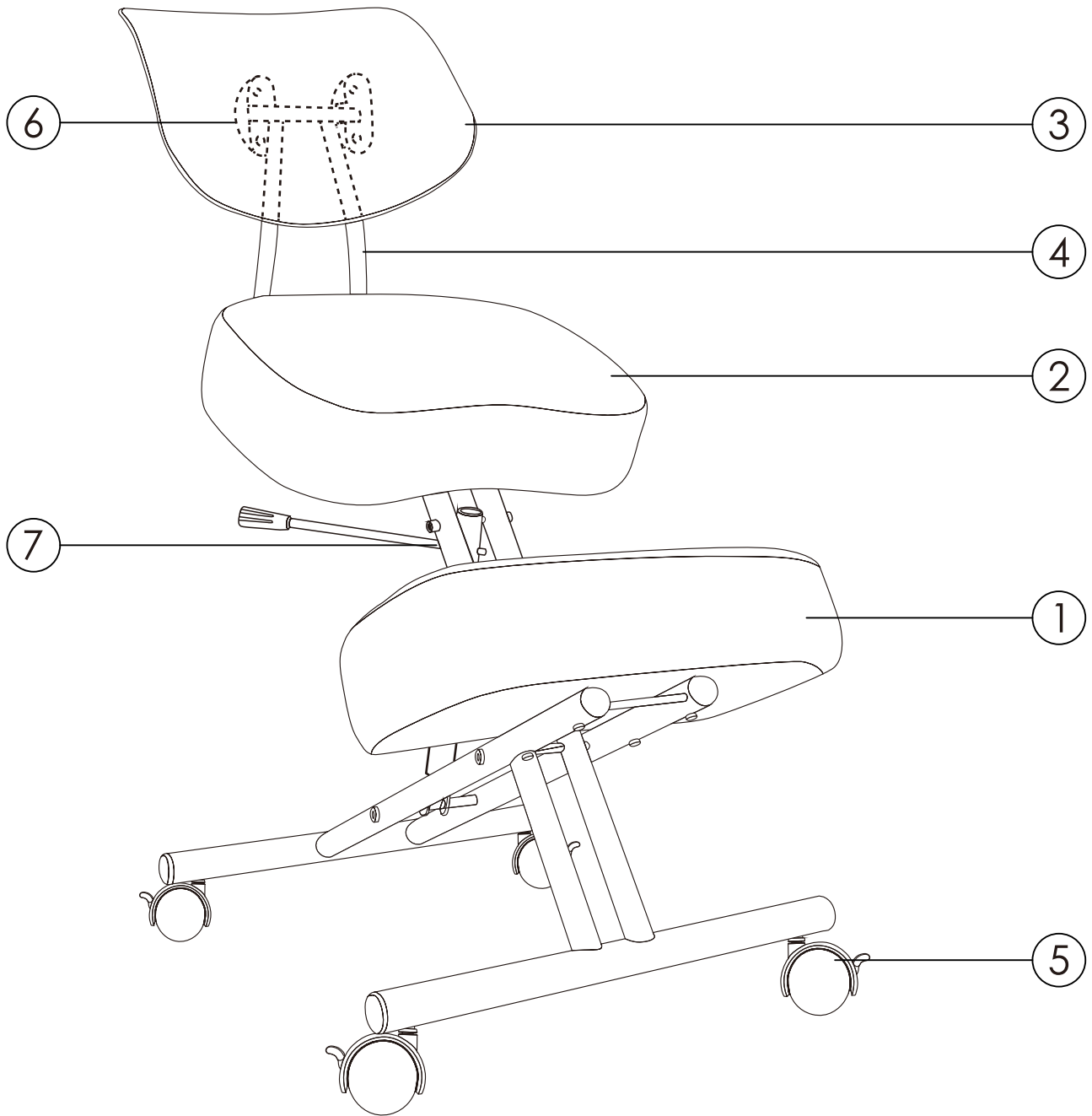
KC 001



Please read this manual carefully before any operation and keep it properly for future use.

If any problems on our product, please feel free to contact us at [service@sunoft.com](mailto:service@sunoft.com)

# Exploded View



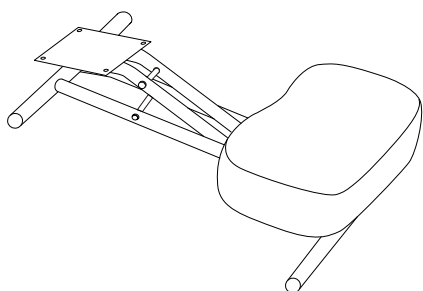
# Components list

10 min

Assembly Time

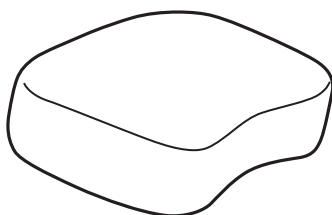


One People



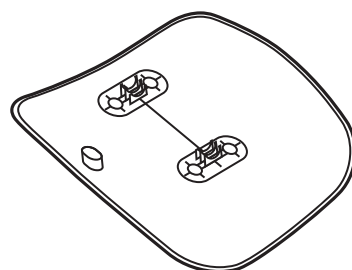
1

Frame with knee pad (X1)



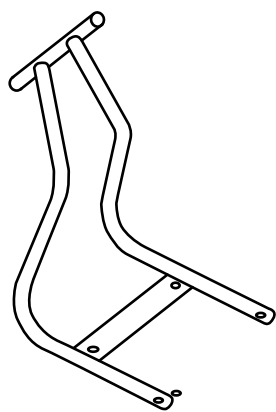
2

Seat cushion (X1)



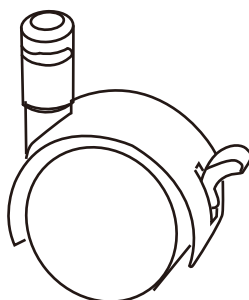
3

Plastic backrest (X1)



4

Backrest racket (X1)



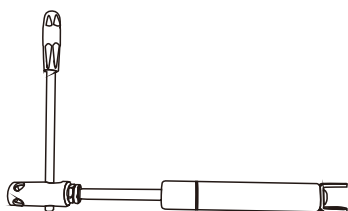
5

Caster (X4)



6

Decorative cover (X2)







7

Gas lift (X1)



# Components list

## 1. KC002

<b>A</b>			<b>B</b>			<b>C</b>		
								
Hexagon socket screw	M6x11	4+1	Hexagon socket screw	M6x25	6+1	Hexagon socket screw	M6x40	2+1
<b>D</b>								
								
Allen key	H6	2						

Note: The number after “+” indicates extra piece(s).

## 2. KC001

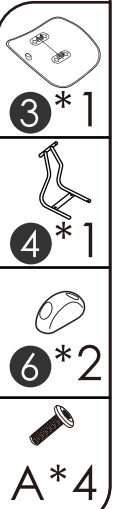
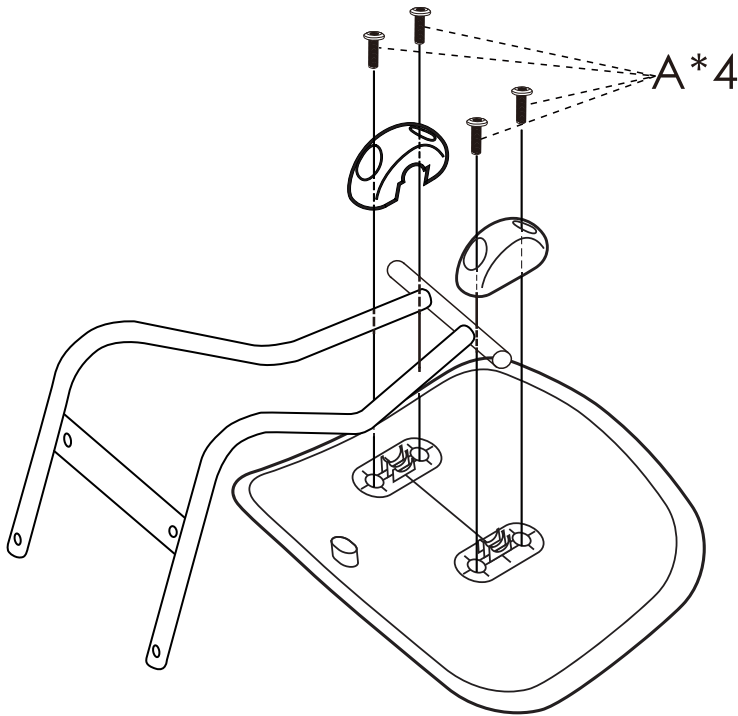
<b>B</b>			<b>D</b>					
								
Hexagon socket screw	M6x25	4+1	Allen key	H6	2			

Note: The number after “+” indicates extra piece(s).

# Assembly Instruction

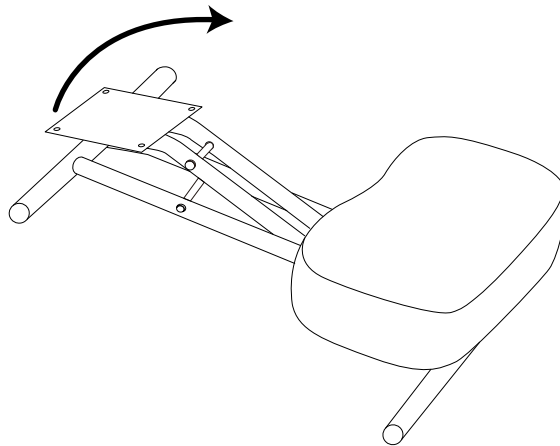
## STEP 1

Please skip this step if you buy the version without backrest. Attach the backrest rack(4) to the backrest(3) with the bolts(A) and covers(6). Please don't fully tighten the bolts until all of them are in the right holes. This will allow you to make slight adjustments to the positions during the assembly.

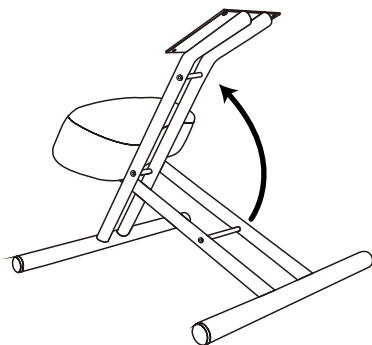


## STEP 2

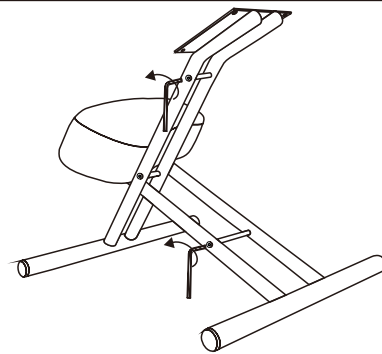
**Assemble the base frame:** Refer to the diagram and interlock the two components to form the frame structure. Hold the seat cushion's base and adjust it freely to raise or lower until the holes align for optimal installation position, then proceed to the next step of assembly.



1



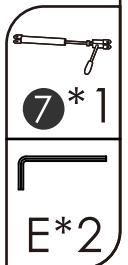
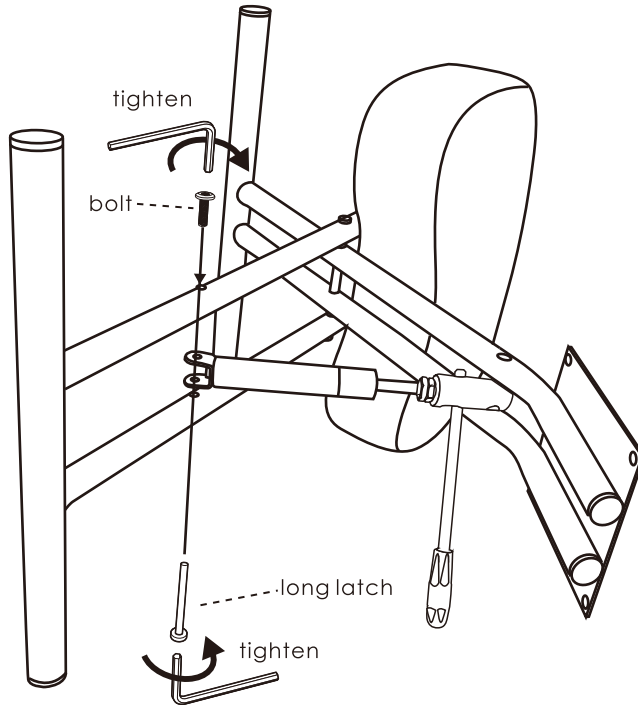
2



# Assembly Instruction

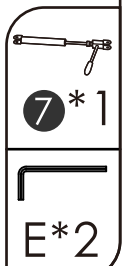
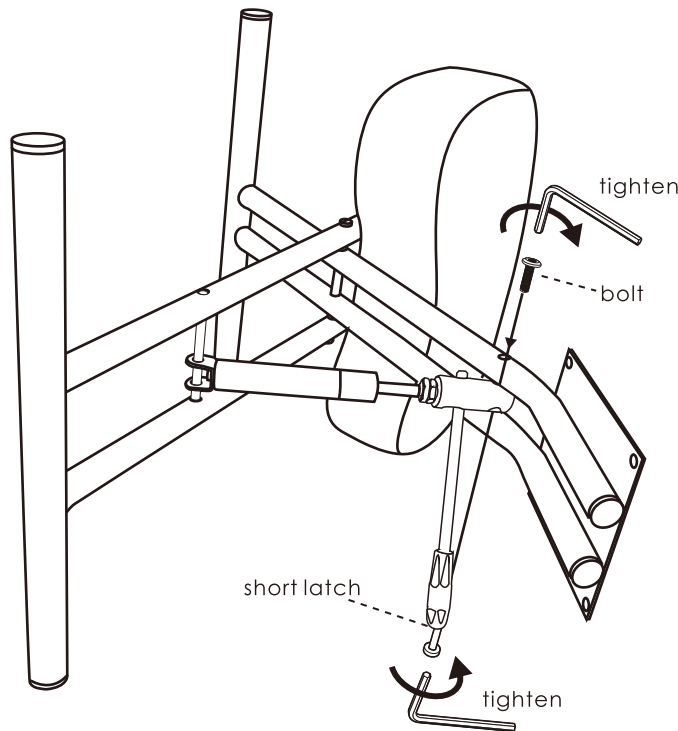
## STEP 3

**Install the Gas Lift Cylinder:** Begin by assembling the lower part of the chair base as shown in the diagram. Insert the long latch pin(8) into the gas lift cylinder hole, aligning it with the openings on both sides. Then, align and insert into the corresponding holes on the other side of the base frame. Secure the connection by attaching bolt(A) to the pin hole and rotate clockwise until it is firmly in place.



## STEP 4

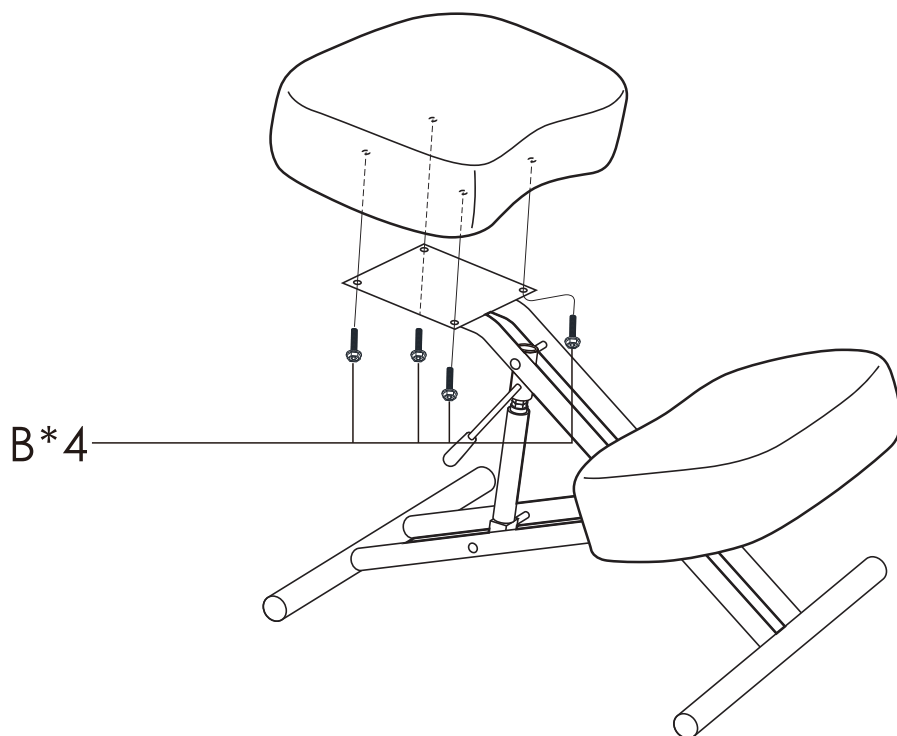
**Install the Gas Lift Cylinder:** As shown in the diagram, align and insert the short latch pin(9) through the holes on both sides to connect with the gas lift cylinder hole. Then, align and insert it into the frame holes on the opposite side. Finally, attach the bolt(A) to the pin hole and tighten by rotating clockwise until secure.



# Assembly Instruction

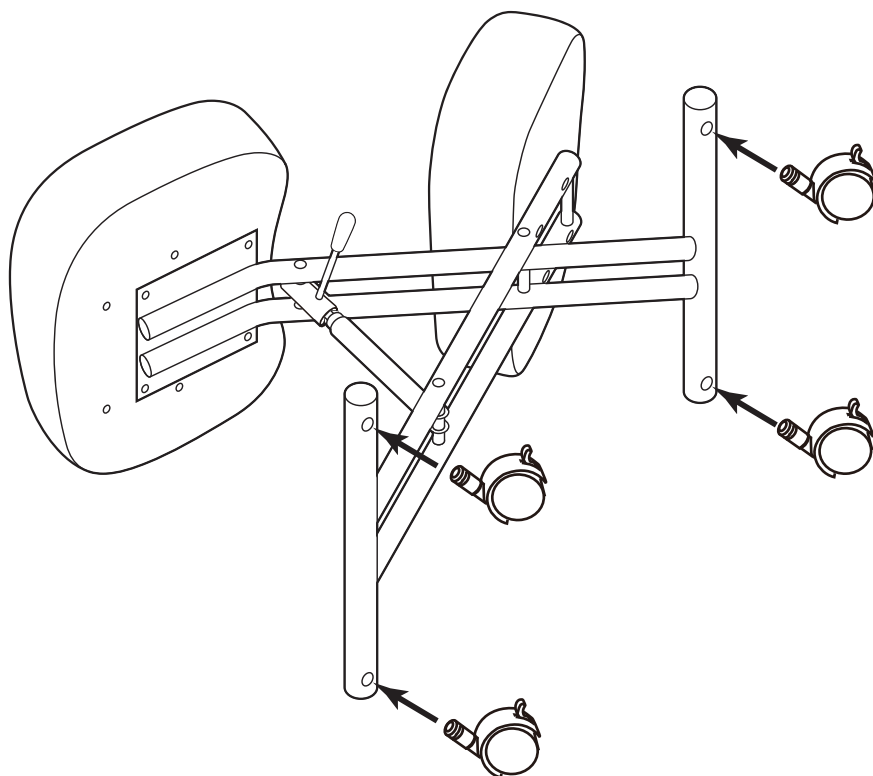
## STEP 5

Attach the seat(2) to the frame with bolts(B). Please don't fully tighten the bolts until all of them are in the right holes. This will allow you make slight adjustments to the positions during assembly process.



## STEP 6

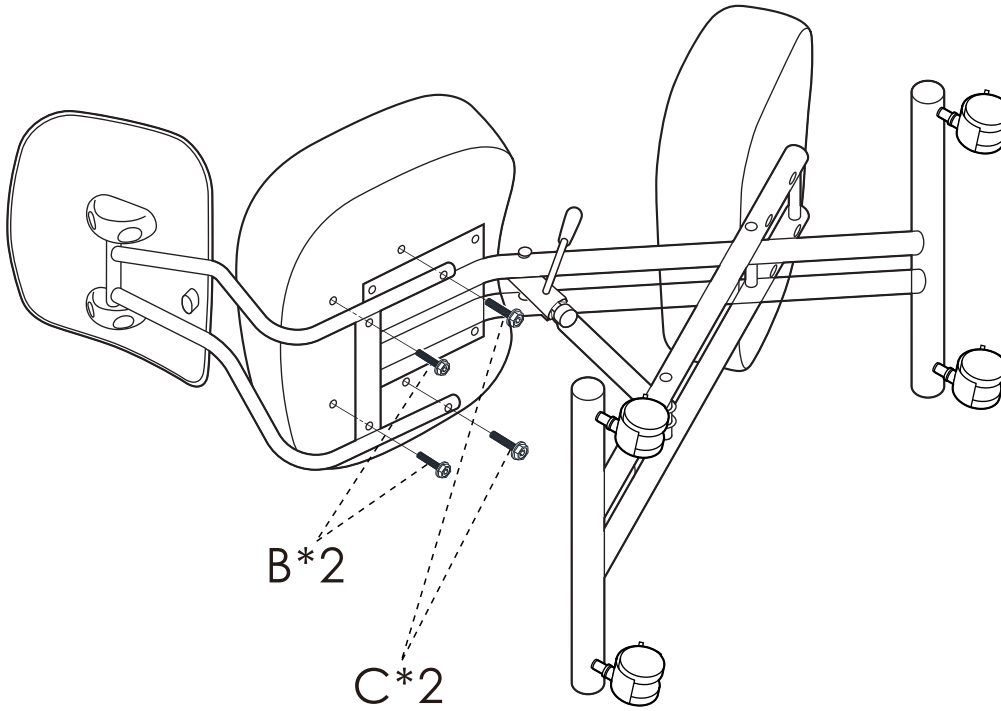
Push the casters(5) into the frame as shown below.



# Assembly Instruction

## STEP 7

Please skip this step if you buy the chair without backrest. Attach the backrest to the seat cushion(2) with bolts(B) and washers(C).



B\*2



C\*2



E\*1

## STEP 8

Complete the assembly and enjoy it.

Depending on the model you purchased, your chair may or may not have a backrest.

