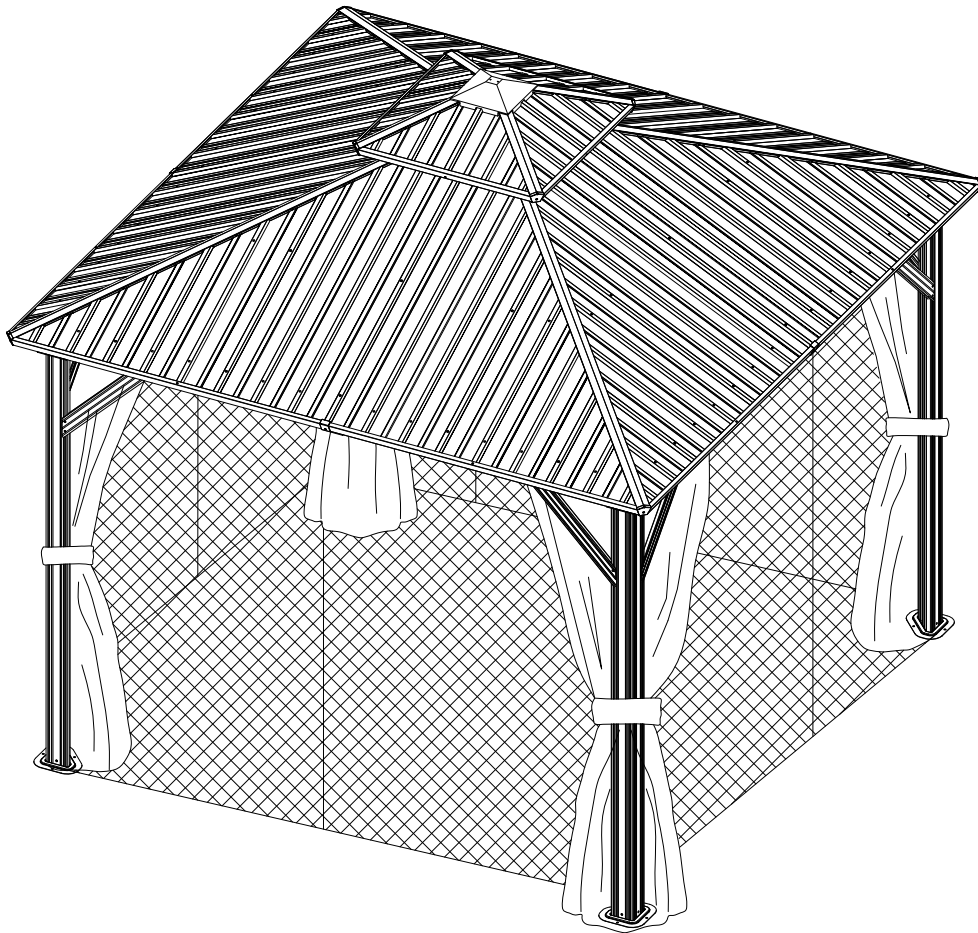




# 10'x10' Metal Patio Gazebo

## ASSEMBLY MANUAL



MODEL#:LGMF1618C

Missing part? Damaged? Contact us via email at

[service@domioutdoorliving.com](mailto:service@domioutdoorliving.com)

[www.domioutdoorliving.com](http://www.domioutdoorliving.com)

# Pre-assembly



1. Two or more people are required for assembly.



2. You will need one or more stepladders.



3. Wearing protective gloves is recommended.



4. You may need a safety hat.



5. Please use a Phillips screw driver.



6. For ease of construction, you may need a drill.



7. You may need a safety goggle.



8. Do not fully tighten screws prior to complete assembly.

## Warning & Attention

-Try to assemble this product on the flat ground, otherwise it is difficult to carry out;

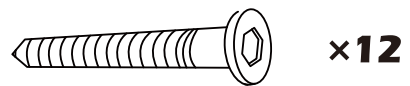
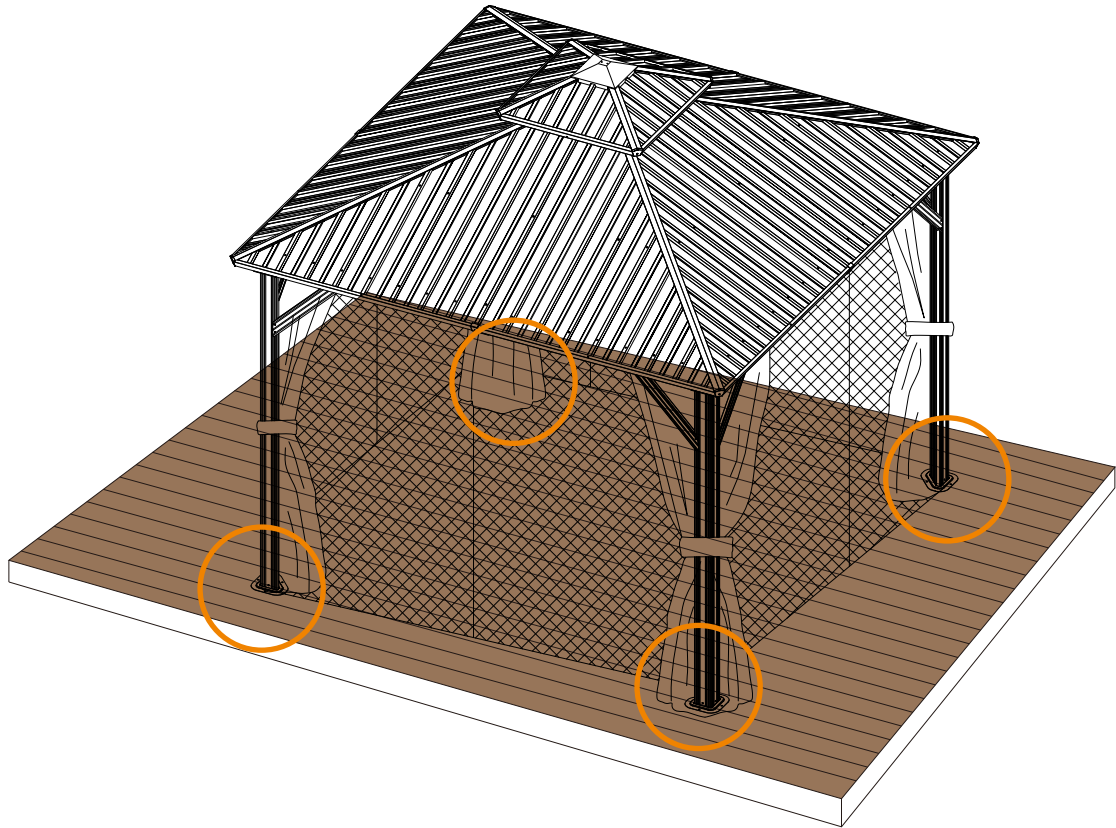
-It would be much easier to assemble the product with three or more people;

-After assembly, please check whether all screws are tightened, to prevent parts from falling apart.

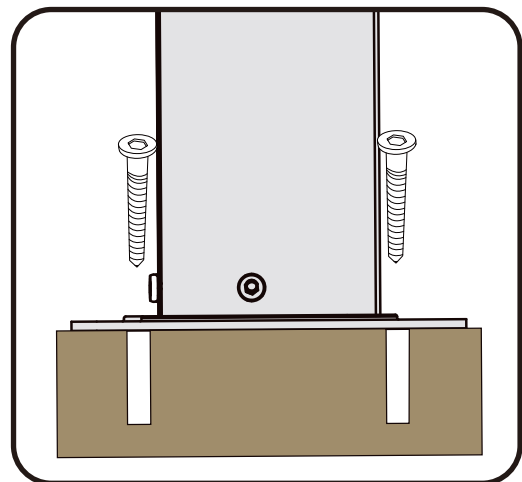
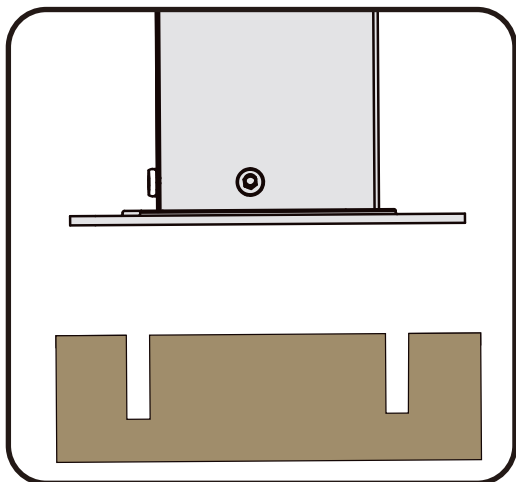
**▲** Use bolts to secure the frame to the ground to against the strong wind.

**IMPORTANT:** A gaze may entail to purchase a municipal permit or be subject to specific building codes. It is the consumer's responsibility to inform themselves of any restrictions.

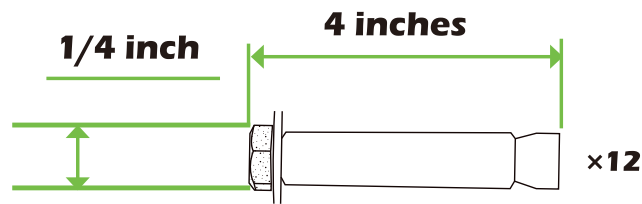
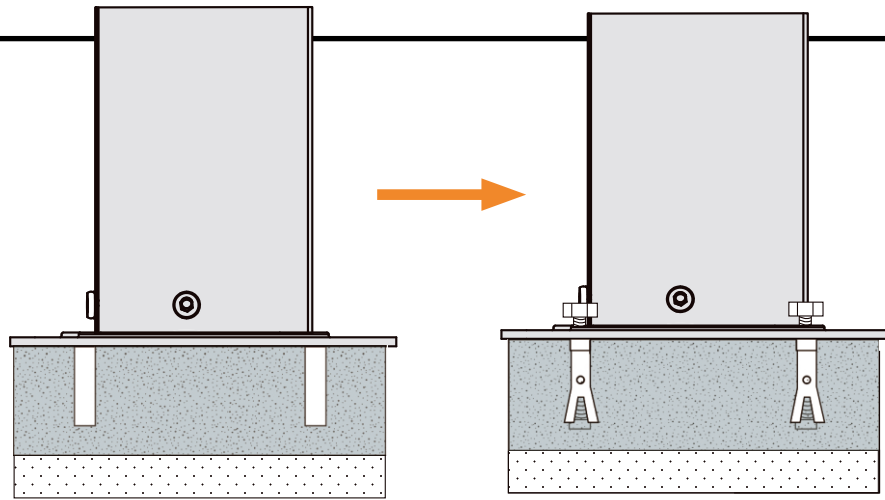
1



If the deck is hard wood and the depth of it is over 3 inch, you can use **5/16 in. x4 in. Structural Wood Screw** to mount the gazebo.

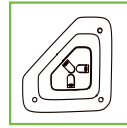
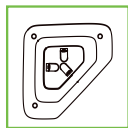


2



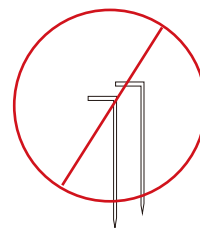
If the ground is concreted and the depth of it is over 3 inch, you can use 1/4 inch expansion bolts to mount the gazebo

3



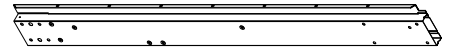
Or you can make a concrete footing for gazebo, **15×15×15 inches** is recommended. use expansion bolts to mount the pergola like ② shows.

**IMPORTANT:**  
Anchor is not recommended





A 4x Pole



C 4x Beam



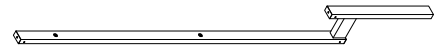
C1 4x Beam



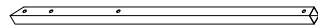
E 4x Corner Roof Bar



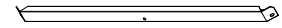
E1 4x Corner Roof Bar Connector



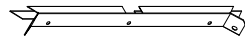
E2 4x Roof Bar



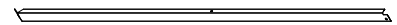
F 8x Solidfying Bar



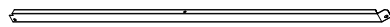
H 4x Finishing Bar



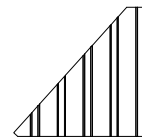
J 4x Finishing Bar



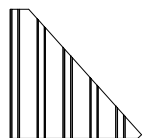
K 4x Finishing Bar



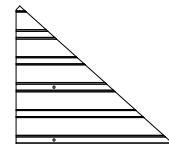
K1 4x Finishing Bar



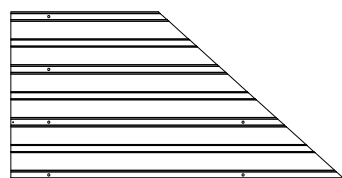
L1 4x Roof Panel



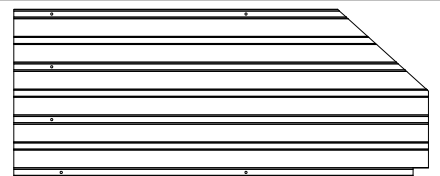
L2 4x Roof Panel



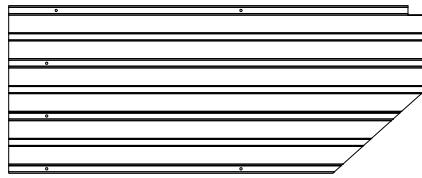
M1 4x Roof Panel



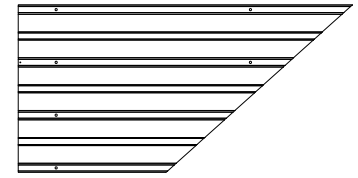
M2 4x Roof Panel



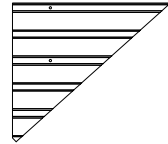
M3 4x Roof Panel



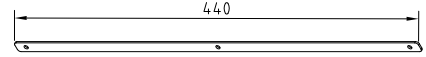
M4 4x Roof Panel



M5 4x Roof Panel



M6 4x Roof Panel



Q 4x Plastic Bar



T 4x Track



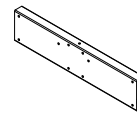
T1 4x Track



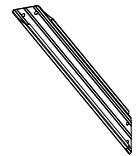
B 4x Base



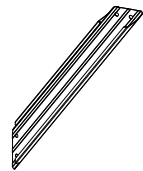
B1 8x Bracket



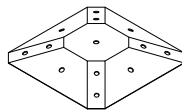
C2 4x Union Bar



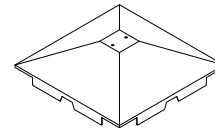
R 4x Corner Solidifying Bar



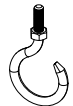
R1 4x Corner Solidifying Bar



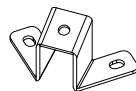
S 1x Inside Roof Cover



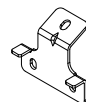
S1 1x Outside Roof Cover



S2 1x J-Hook



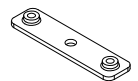
U 4x Bracket



U1 4x Bracket



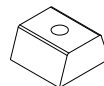
U2 4x Bracket



U3 4x Bracket



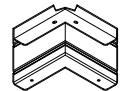
V 96x Plastic Hook



W 80x Black Rubber



X 4x Joint Cover



X1 4x Corner Cover



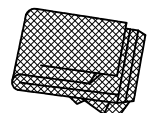
X2 4x Finishing End



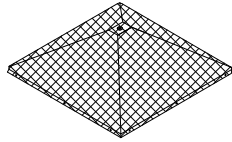
X3 12x Finishing End



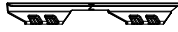
Y 4x Curtain



Y1 4x Mosquito Netting



Y2 1x Small Mesh



Z 56x Plastic Clips



Z1 4x Plastic Clips



Z2 4x Plastic Clips



Z3 4x Plastic Clips



Z4 4x Plastic Clips



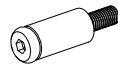
1 1x S4



2 24x ST6.3x15



3 24x ST5x16



4 32x M6x35



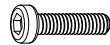
5 80x M6



7 8x M6x10



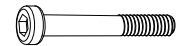
8 208x M6x16



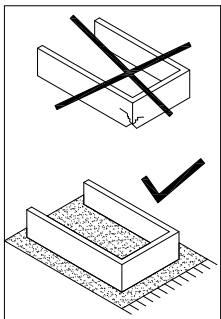
9 8x M6x25



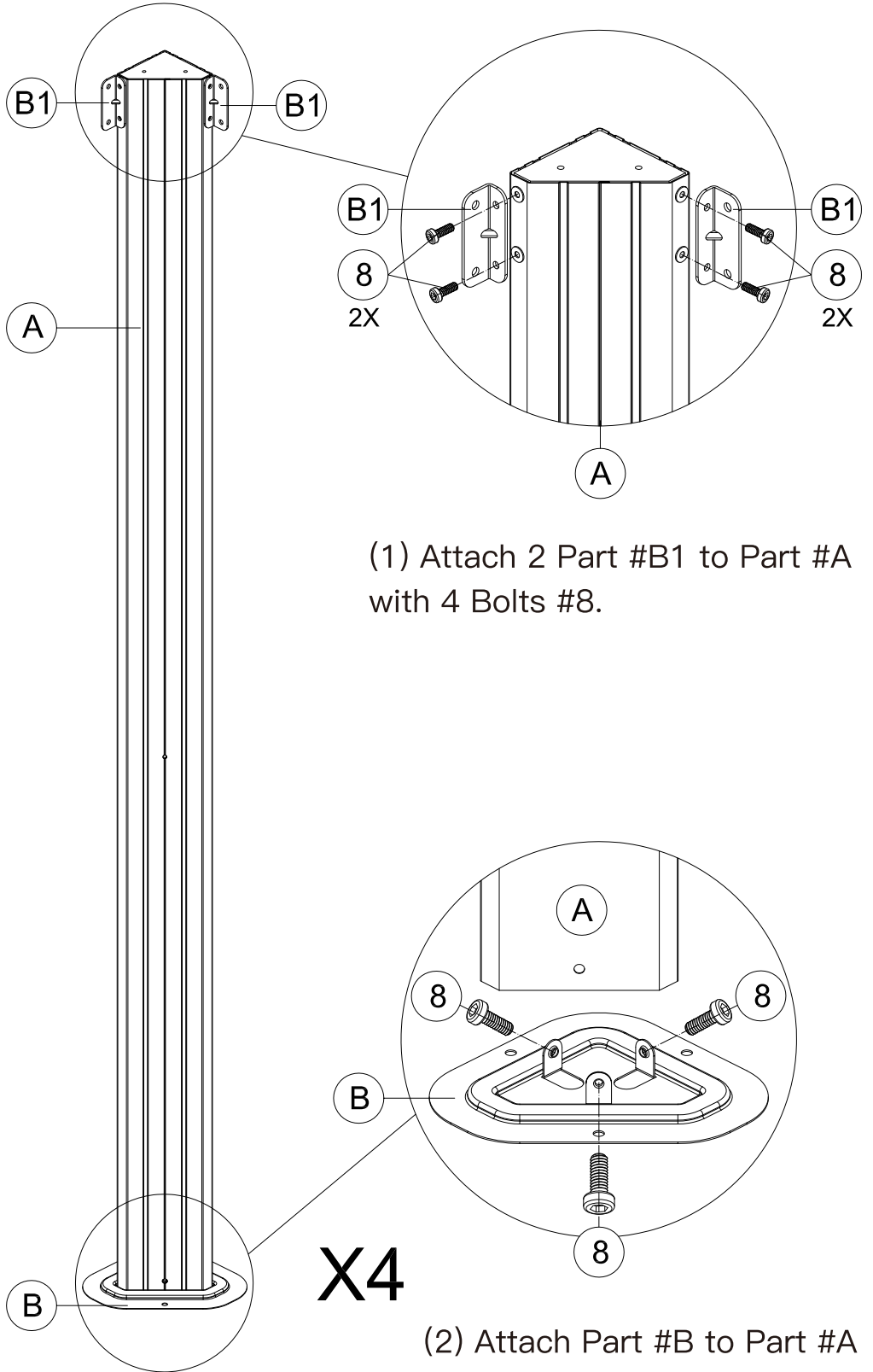
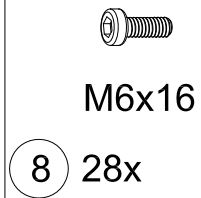
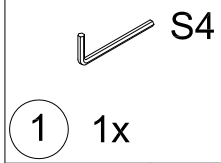
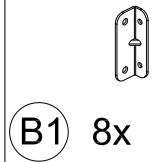
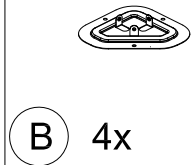
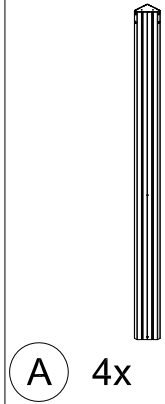
10 56x M6x28



12 16x M6x50

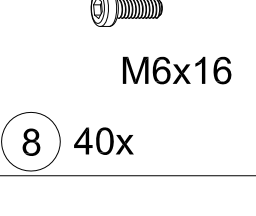
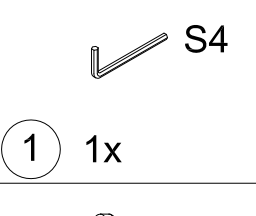
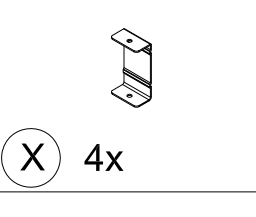
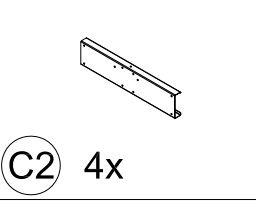
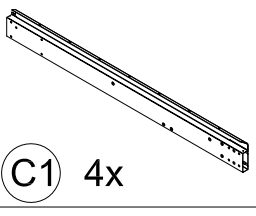
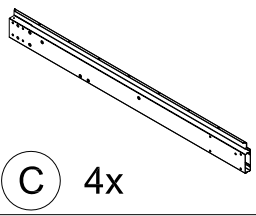


# POST ASSEMBLY:



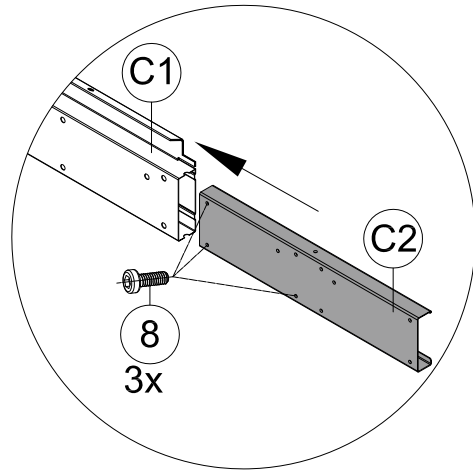
(3) Repeat the above procedures to assemble the other 3 Part #A.

# BEAM ASSEMBLY:

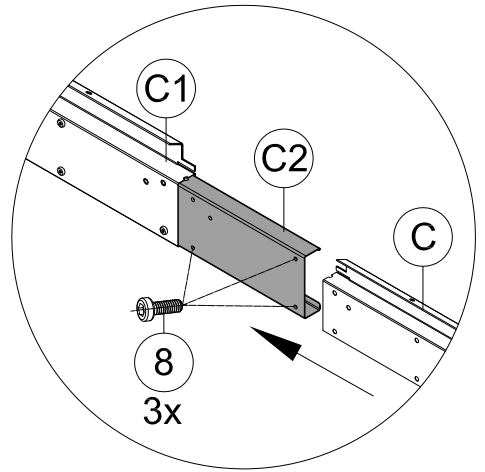


M6x16

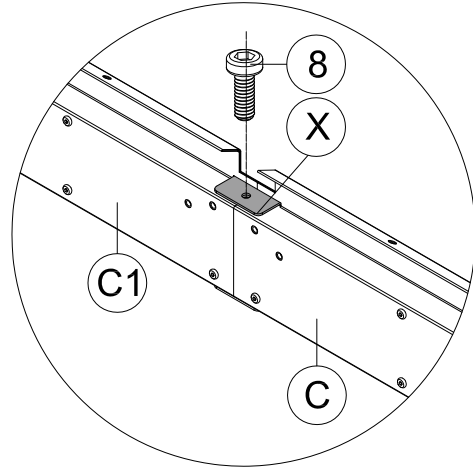
6



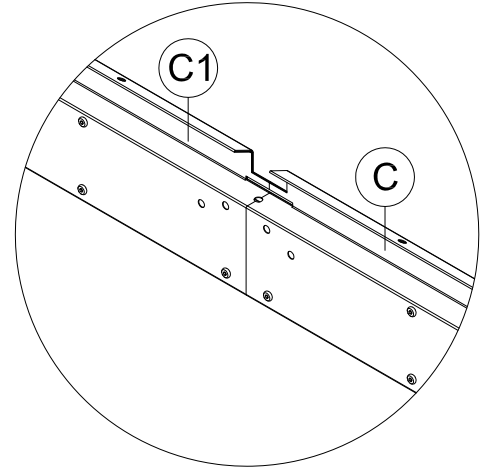
(1) Insert Part #C2 into Part #C1 and secure with 3 Bolts #8.



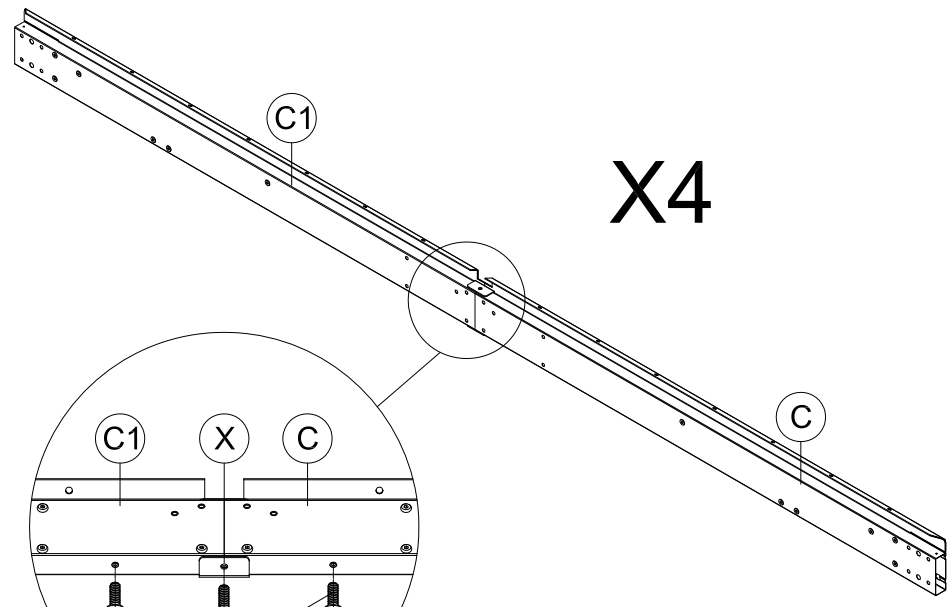
(2) Insert the other side of Part #C2 into Part #C and secure with 3 Bolts #8.



(3) Connect Part #C1 and Part #C through Part #C2.



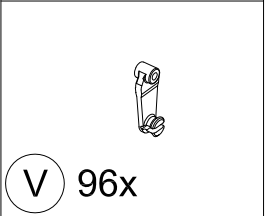
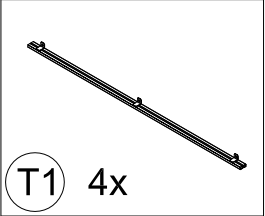
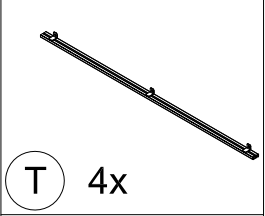
(4) Insert Part #X into the beam and secure with 1 Bolt #8.



X4

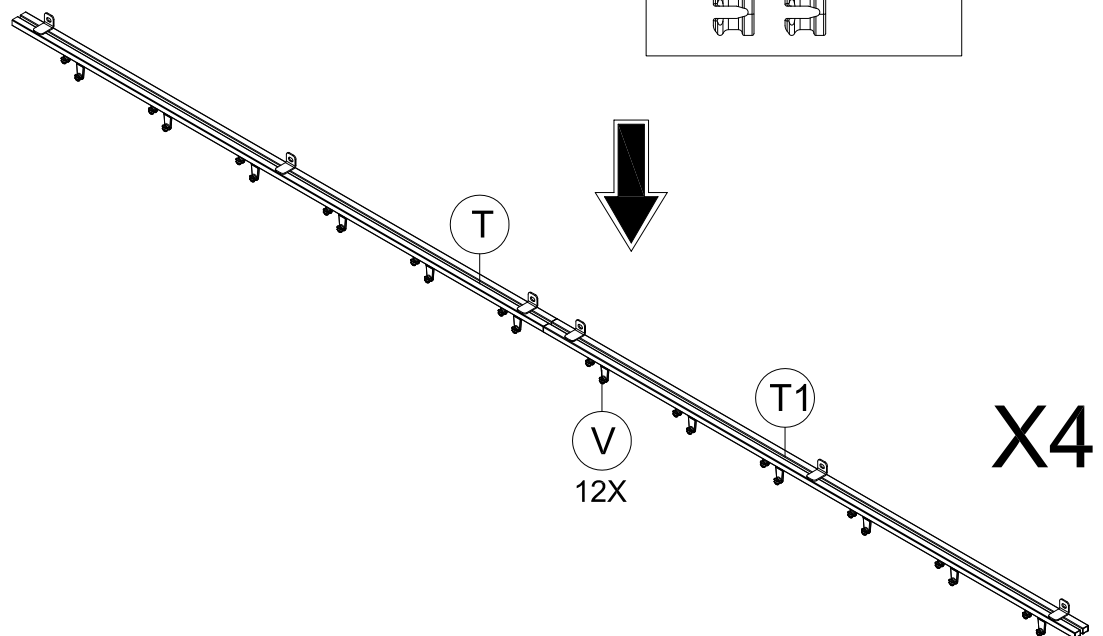
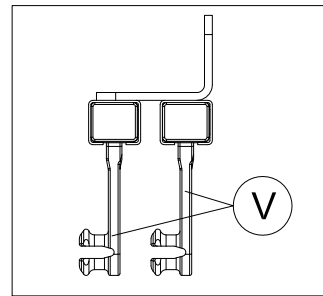
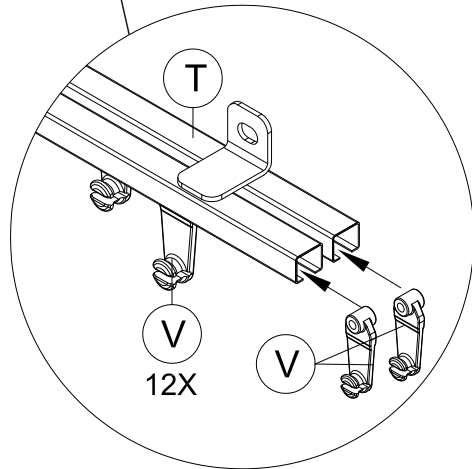
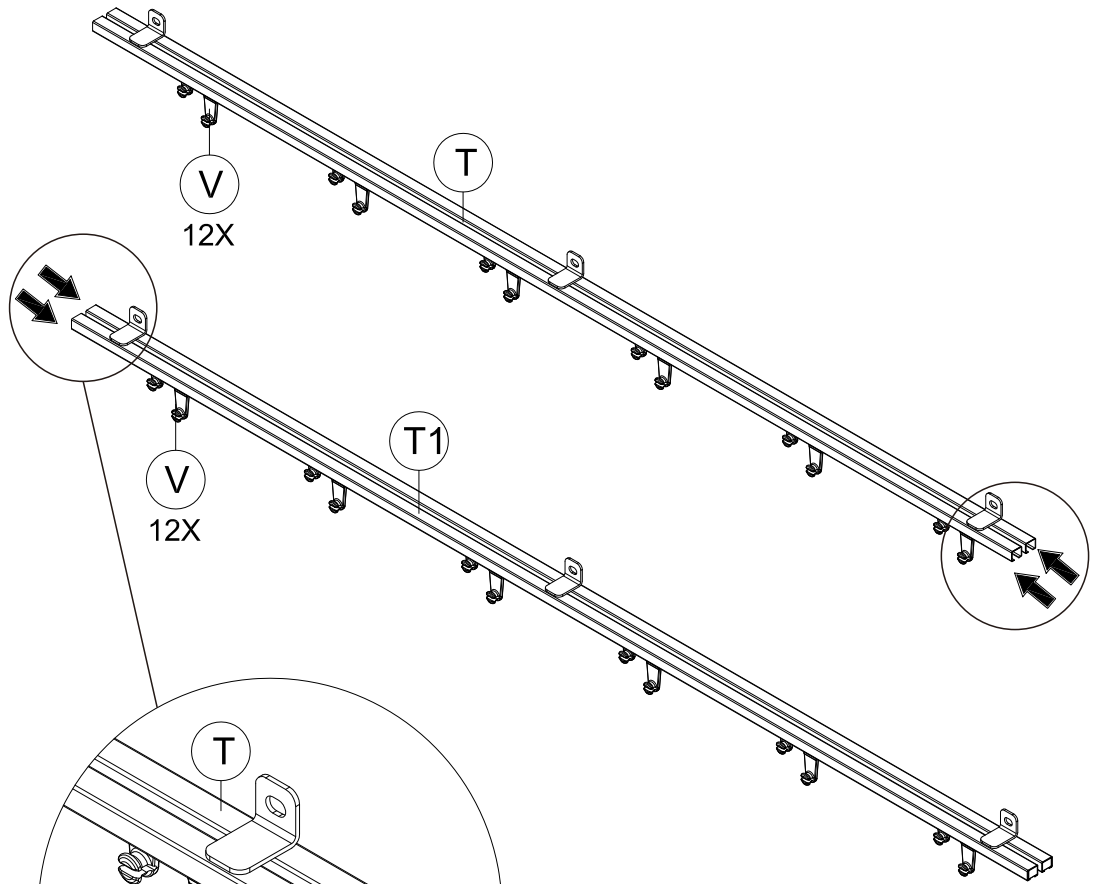
(5) Secure the bottom of Part #X and Part #C/C1 with 3 Bolts #8.

(6) Repeat the above procedures to assemble the other 3 beams.



## TRACK ASSEMBLY:

(1) Slide the plastic hooks to the double-rail track #T & T1 (each slot should slide 6 plastic hooks).



(2) Repeat the above procedures for the other 3 track #T & T1.

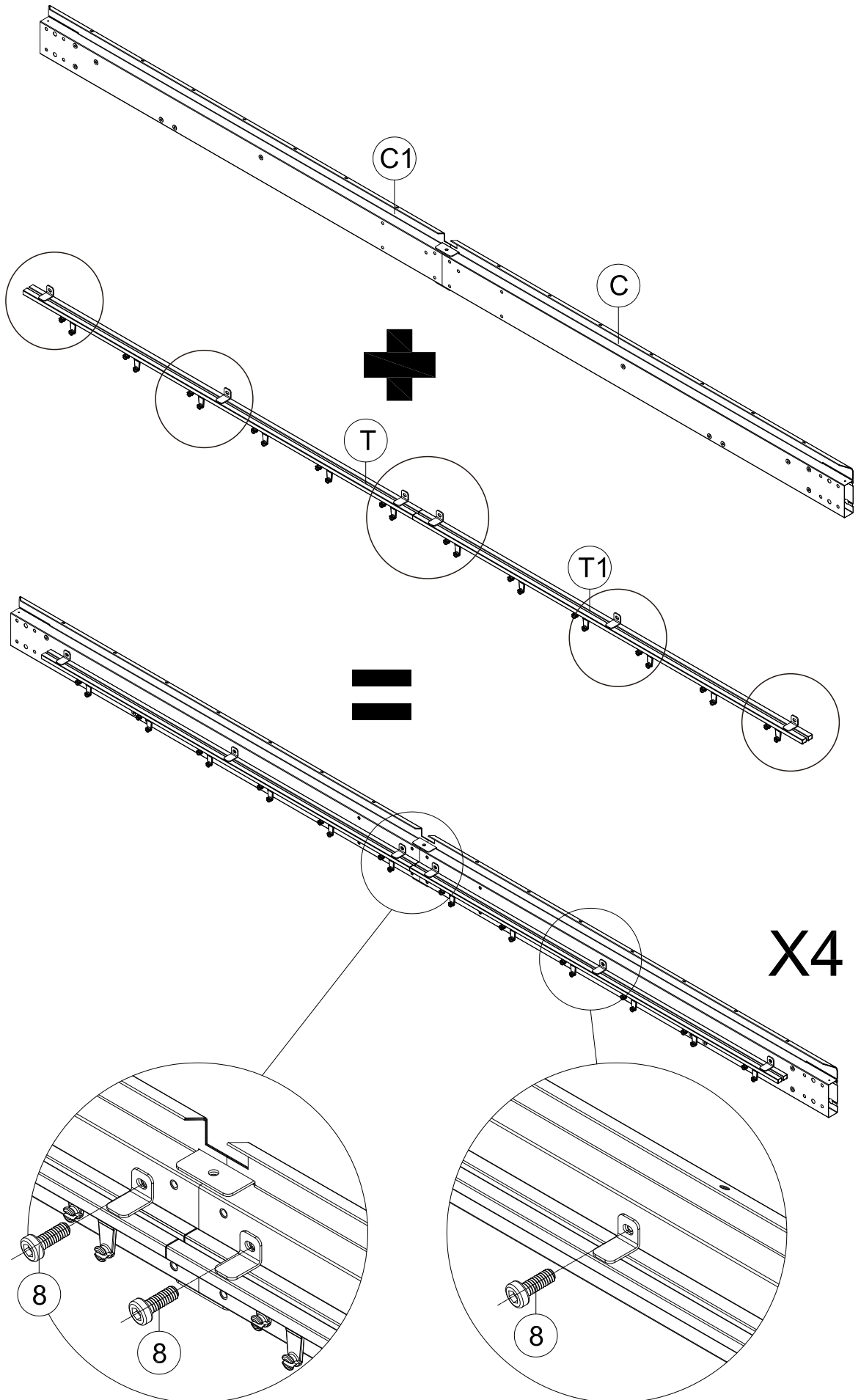
✓ S4

1 1x

 M6x16

8 24x

(1) Use 6 Bolts #8 to fix the track T & T1 to the beam C & C1.



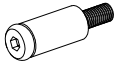
8

(2) Repeat the above procedures for the other 3 beams.



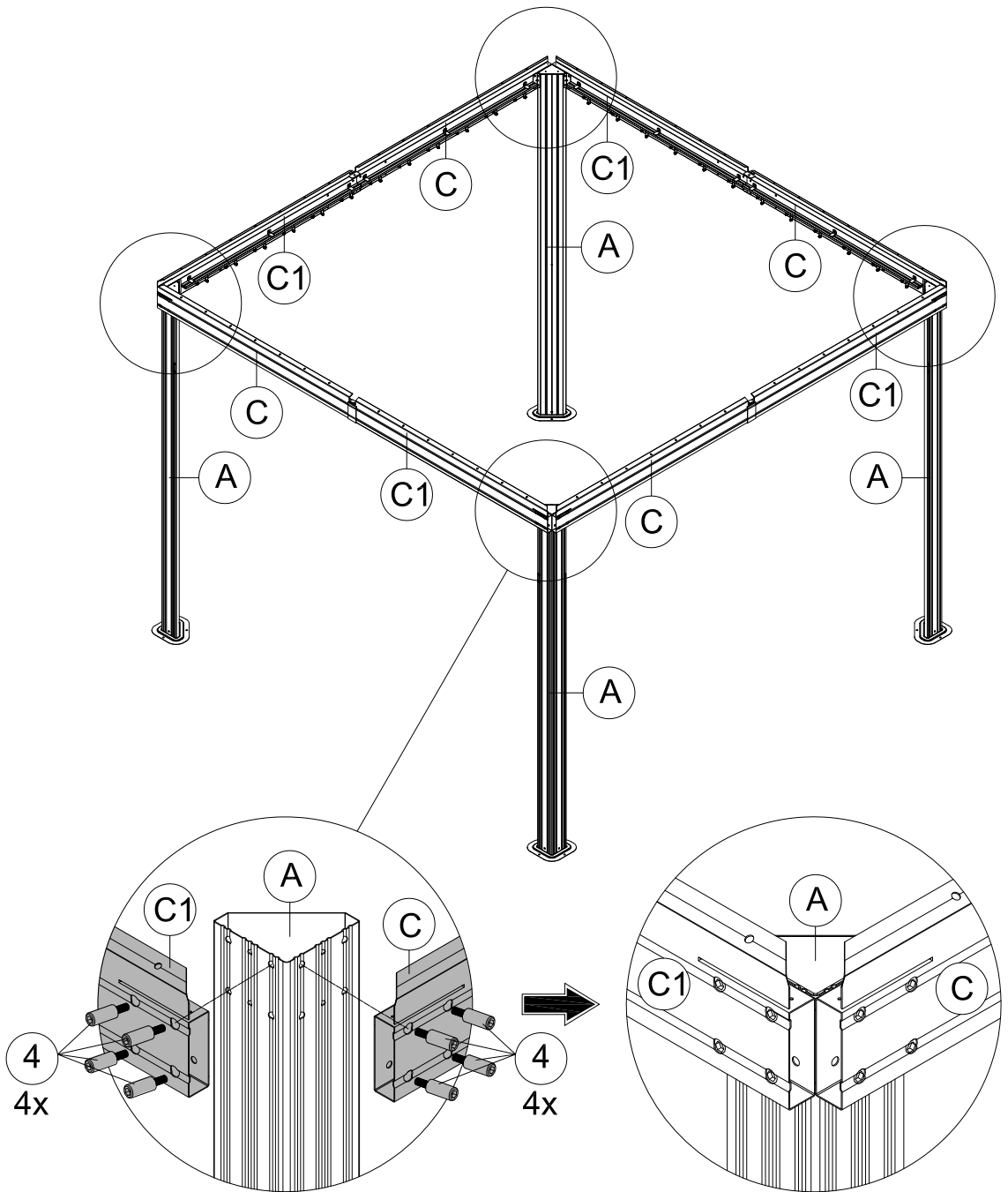
S4

1 1x



M6x35

4 32x



- (1) Connect Part #C/C1 to Part #A with 8 Bolts #4.(From Outside)
- (2) Repeat the above procedures to assemble the other 3 corners.

 Please don't tighten all bolts.



S4

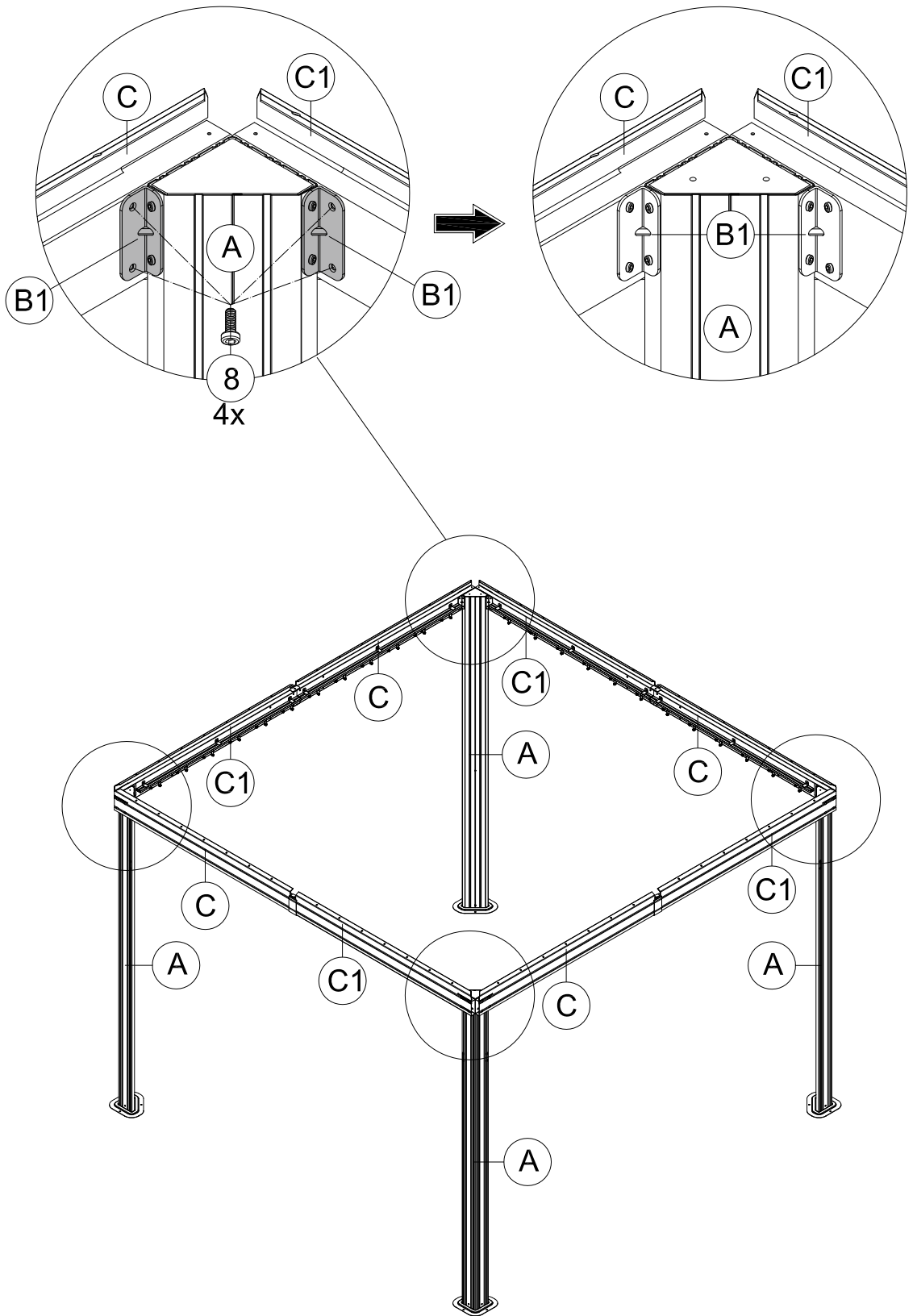
1 1x



M6x16

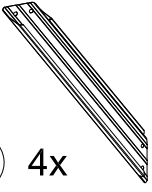
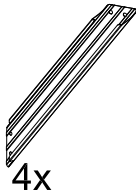

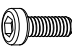
8 16x

(1) Connect Part #C/C1 to Part #A with 4 Bolts #8.(From Inside)

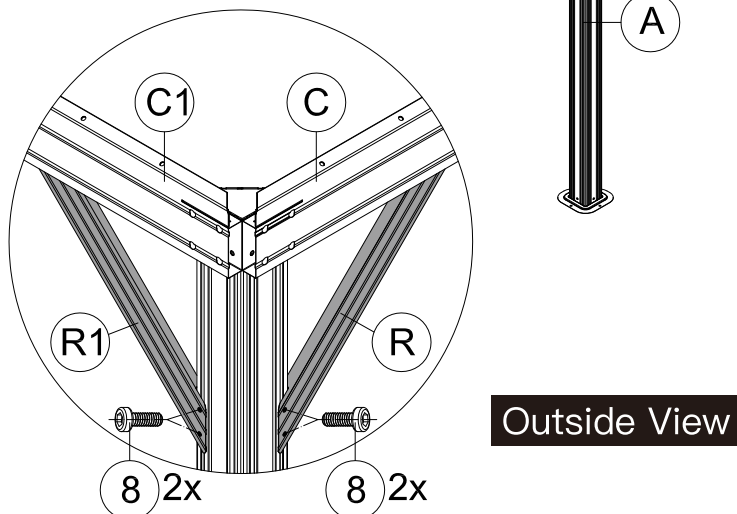
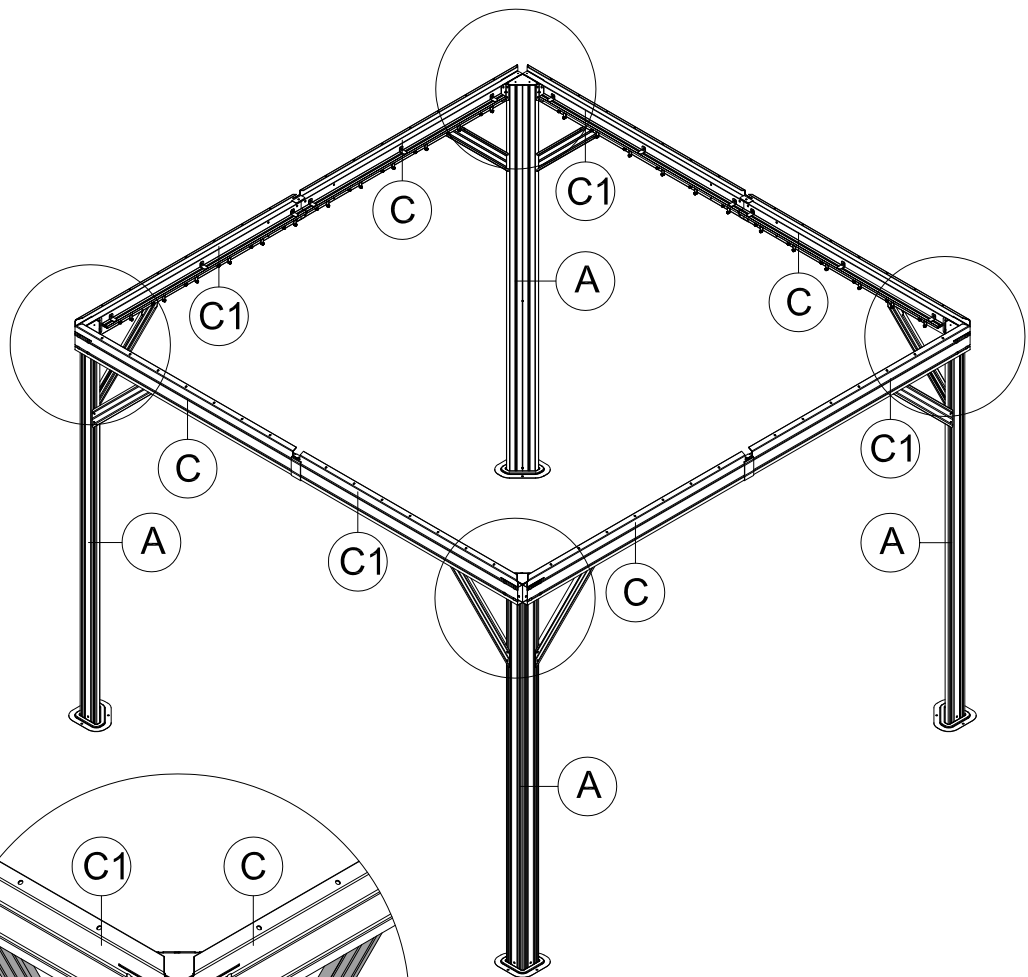
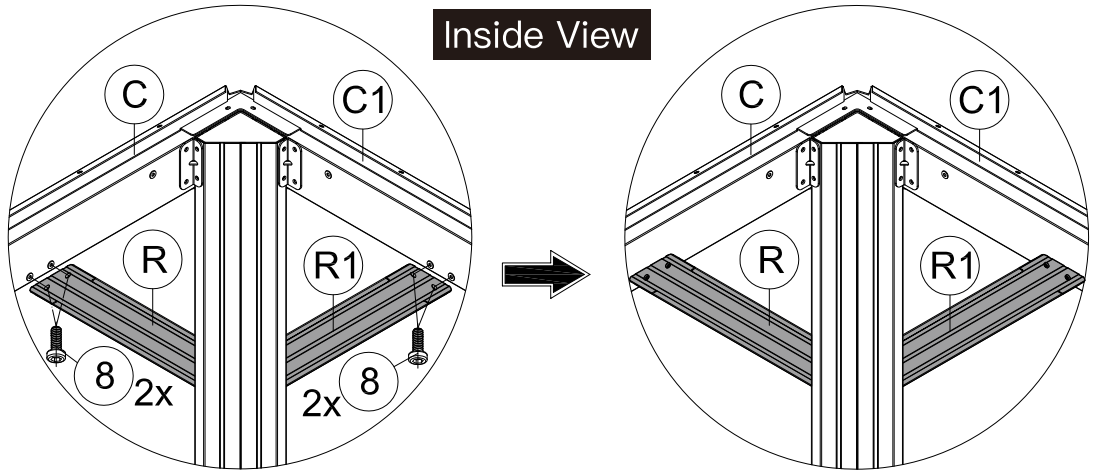


(2) Repeat the above procedures to assemble the other 3 corners.

⚠ Please don't tighten all bolts.

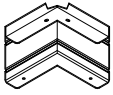
-  **R** 4x
-  **R1** 4x
-  **S4**
- 1** 1x
-  **M6x16**
- 8** 32x

(1) Affix Part #R and Part #R1 to the frame with 8 Bolts #8.



(2) Repeat the above procedures for the other 3 corners.

 Tighten all the bolts.

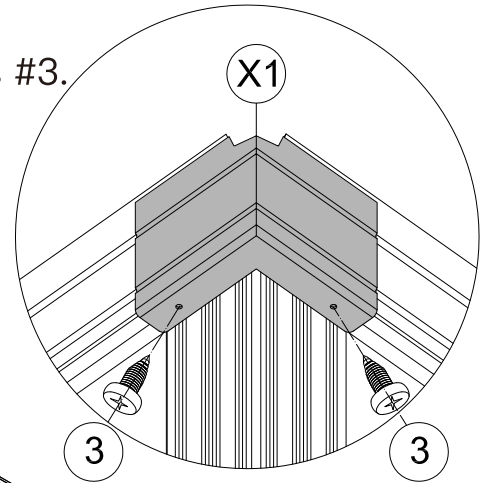
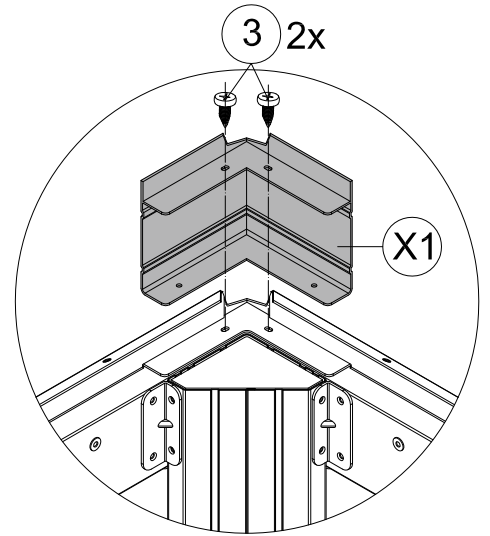
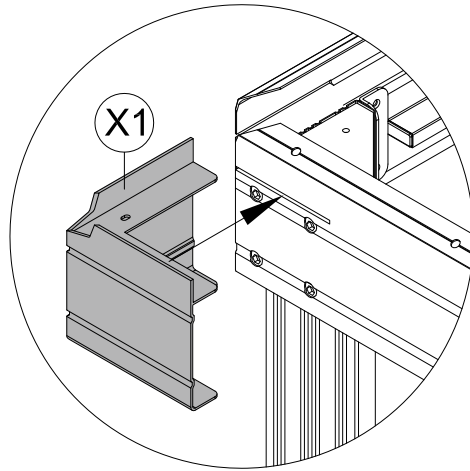


X1 4x

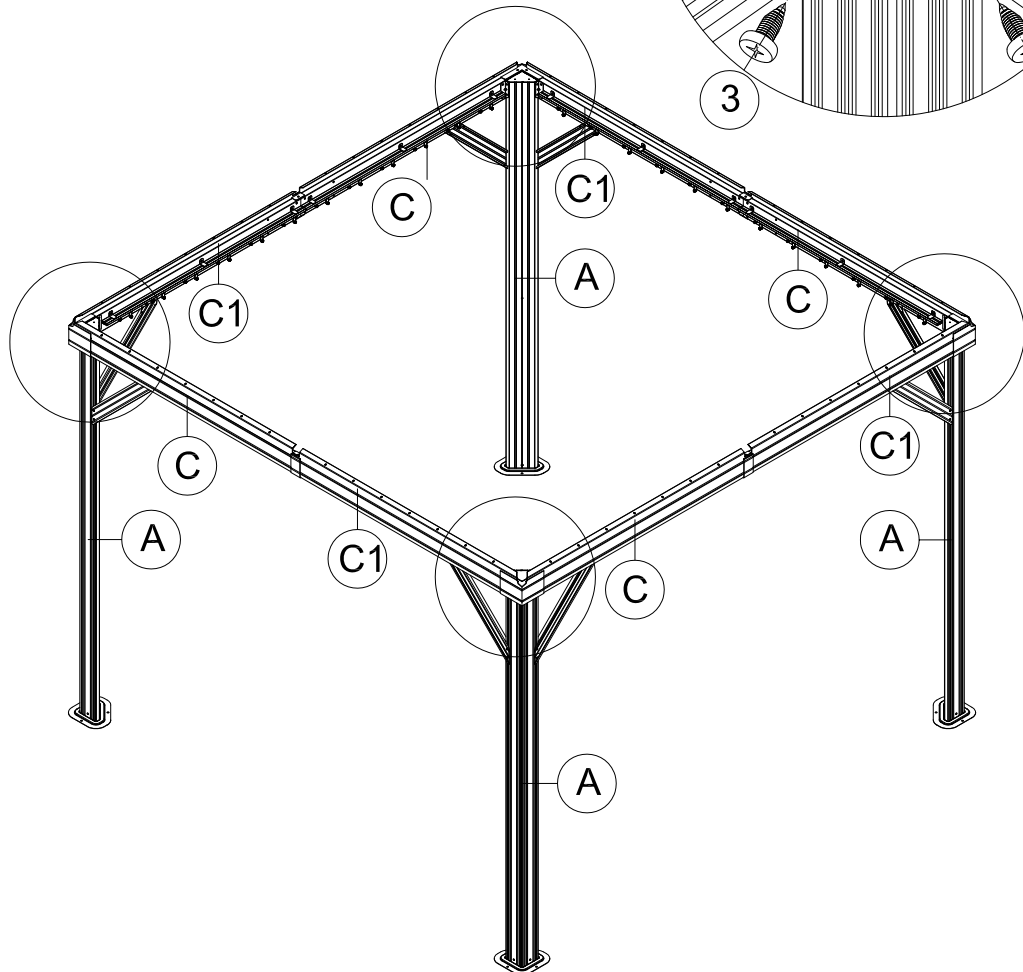


ST5x16

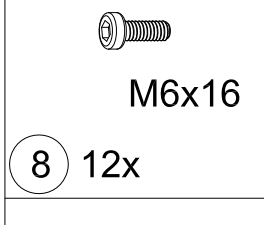
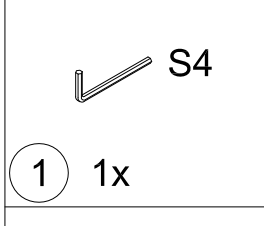
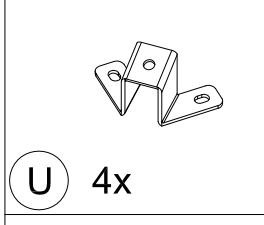
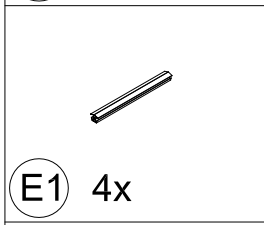
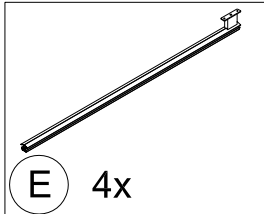
3 16x



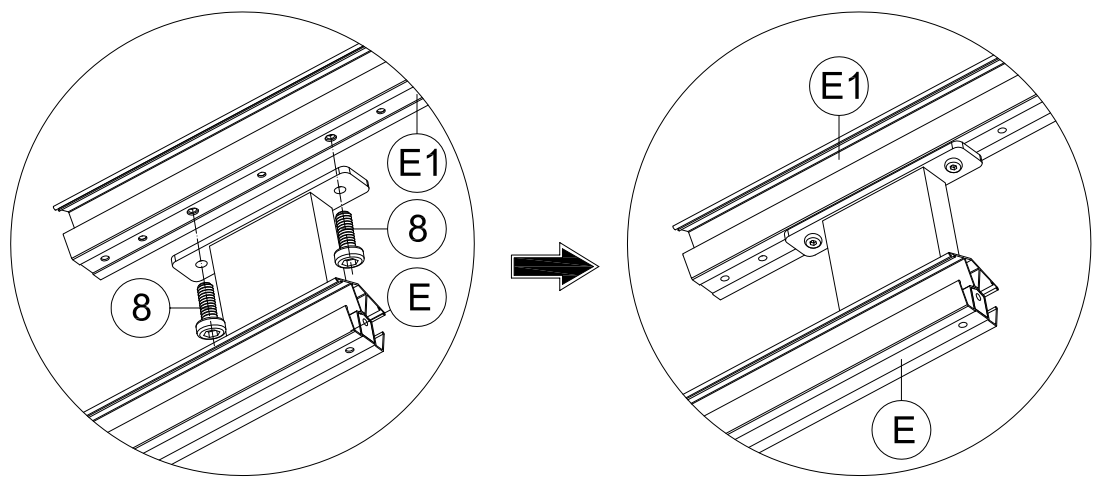
- (1) Cover the corner with Part #X1.
- (2) Secure with 2 Self-tapping Screws #3.  
(from top to bottom)
- (3) Secure with 2 Self-tapping Screws #3.  
(from bottom to top)



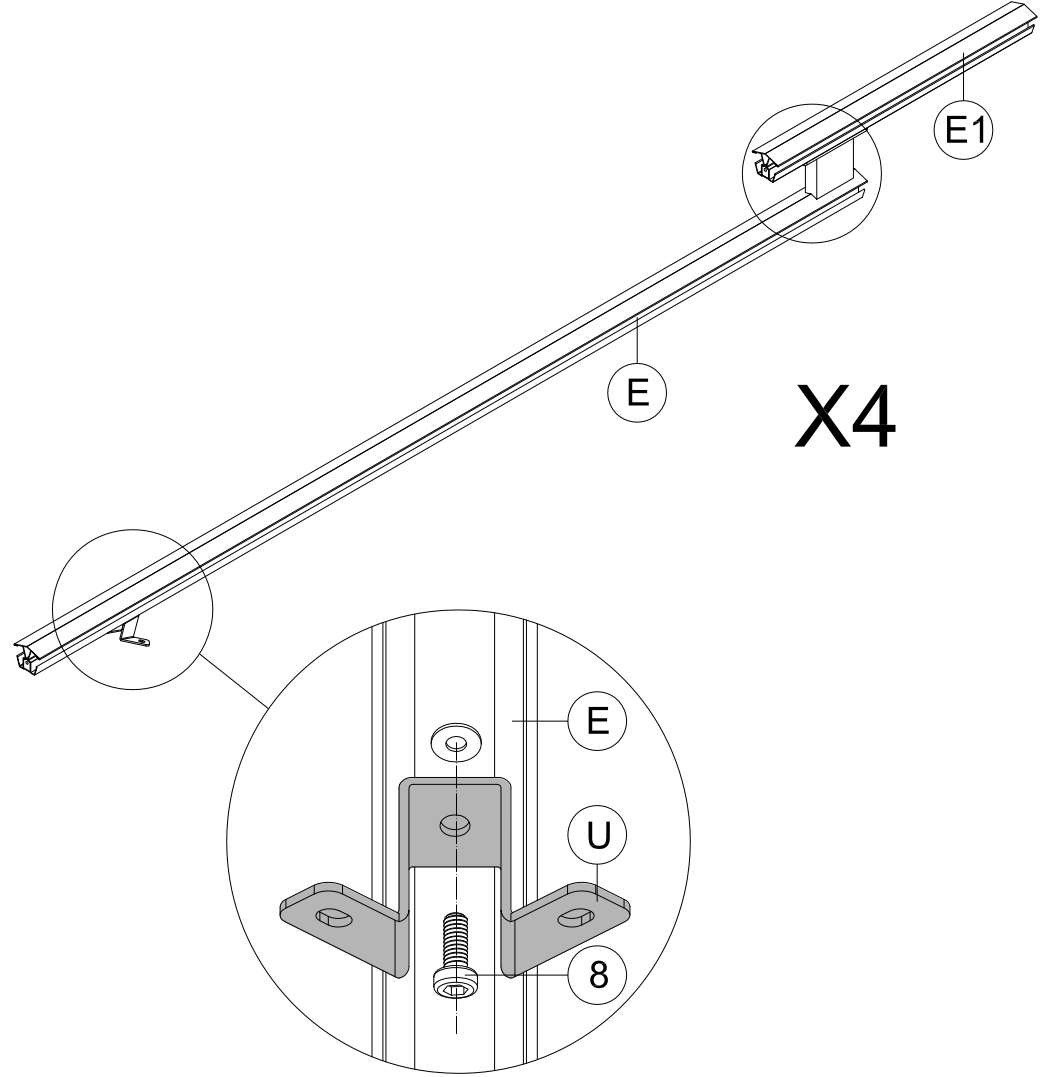
(4) Repeat the above procedures for the other 3 corners.



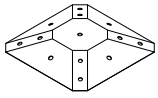
### Assemble the 4 Corner Roof Bars:



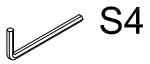
(1) Connect Part #E1 and Part #E with 2 Bolts #8 .



- (2) Attach Part #U to Part #E with Bolt #8 .
- (3) Repeat the above procedures for the other 3 corner roof bars.



S 1x



1 1x



M6x16

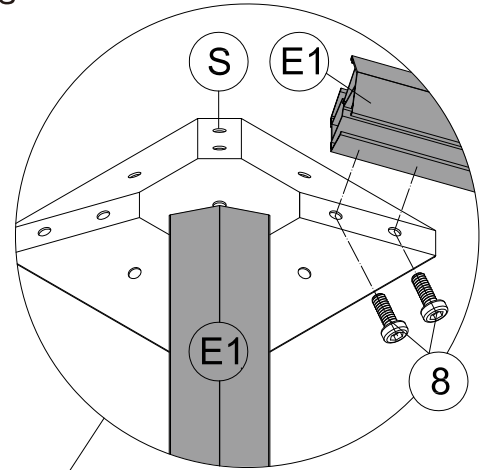
8 16x

Please have a freestanding ladder ready at the center of the gazebo.

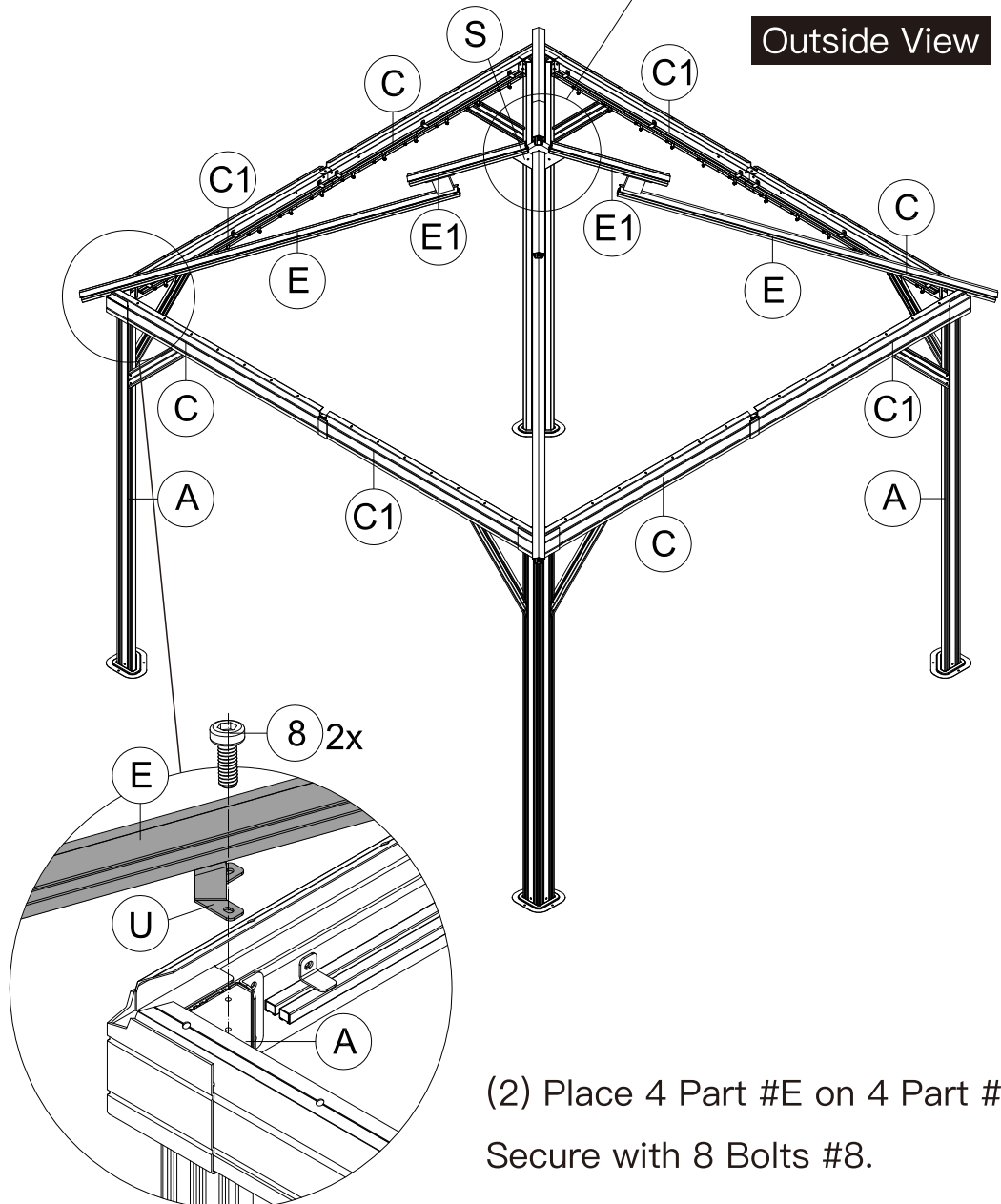
(1) Place 4 Part #E1 on the 4 corners of Part #S.

Secure with 8 Bolts #8 (from bottom to top)

**ATTENTION:** You can also finish this step on the ground and then lift 4 corner roof bars and inside roof connector to the top together. (Need 2 people and 2 ladders)

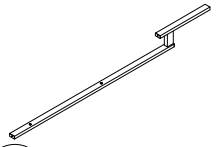
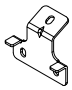

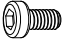


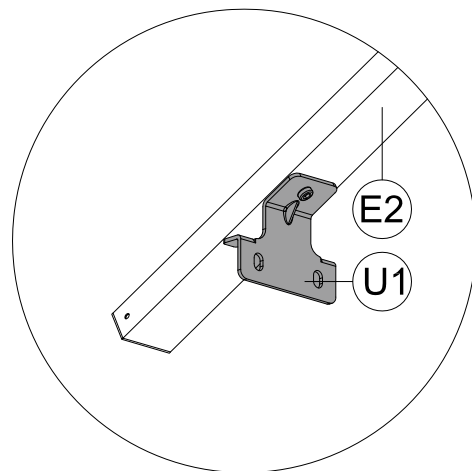
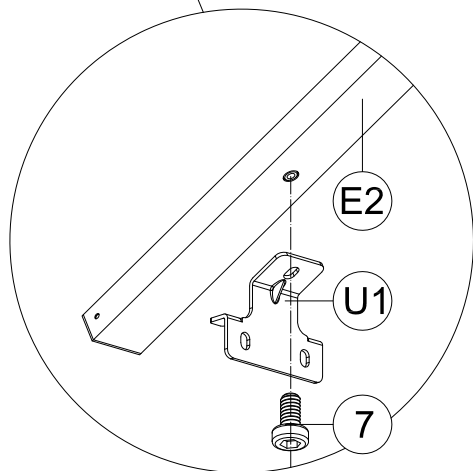
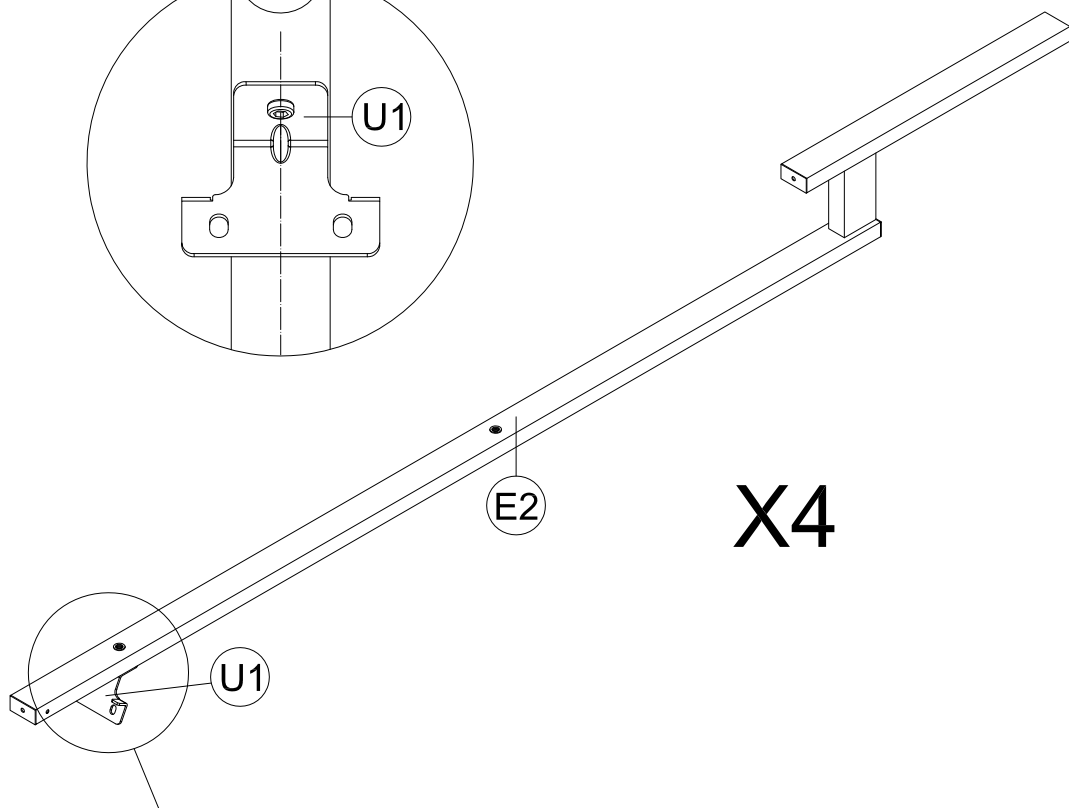
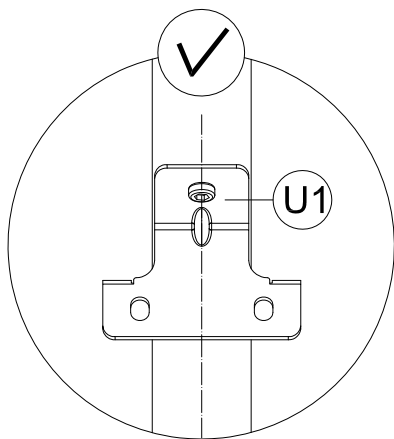
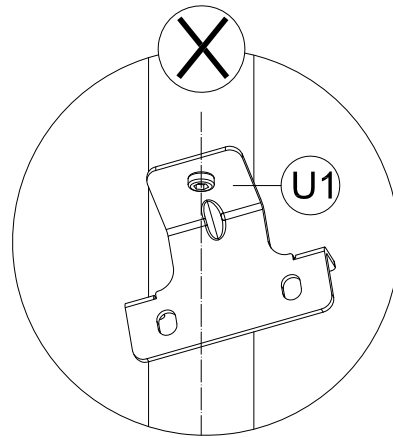
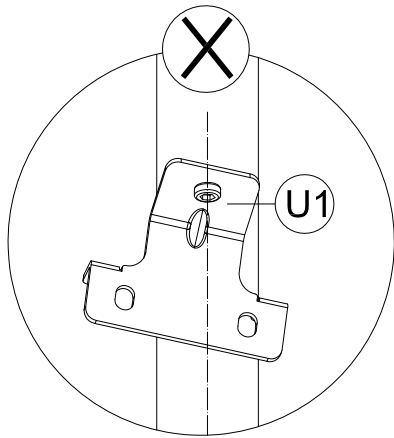
Outside View



(2) Place 4 Part #E on 4 Part #A;  
Secure with 8 Bolts #8.

Outside View

-  **E2** 4x
-  **U1** 4x
-  **S4**
- 1** 1x
-  **M6x10**
- 7** 4x



- (1) Attach Part #U1 to Part #E2 with Bolt #7.
- (2) Repeat the above procedures for the other 3 roof bars.



S4

1 1x



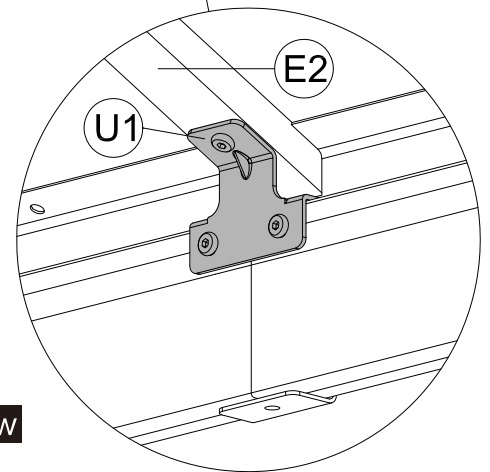
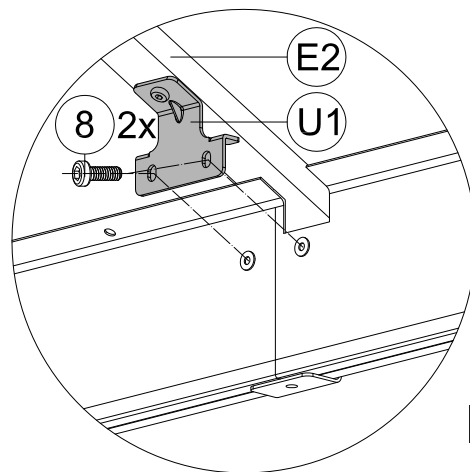
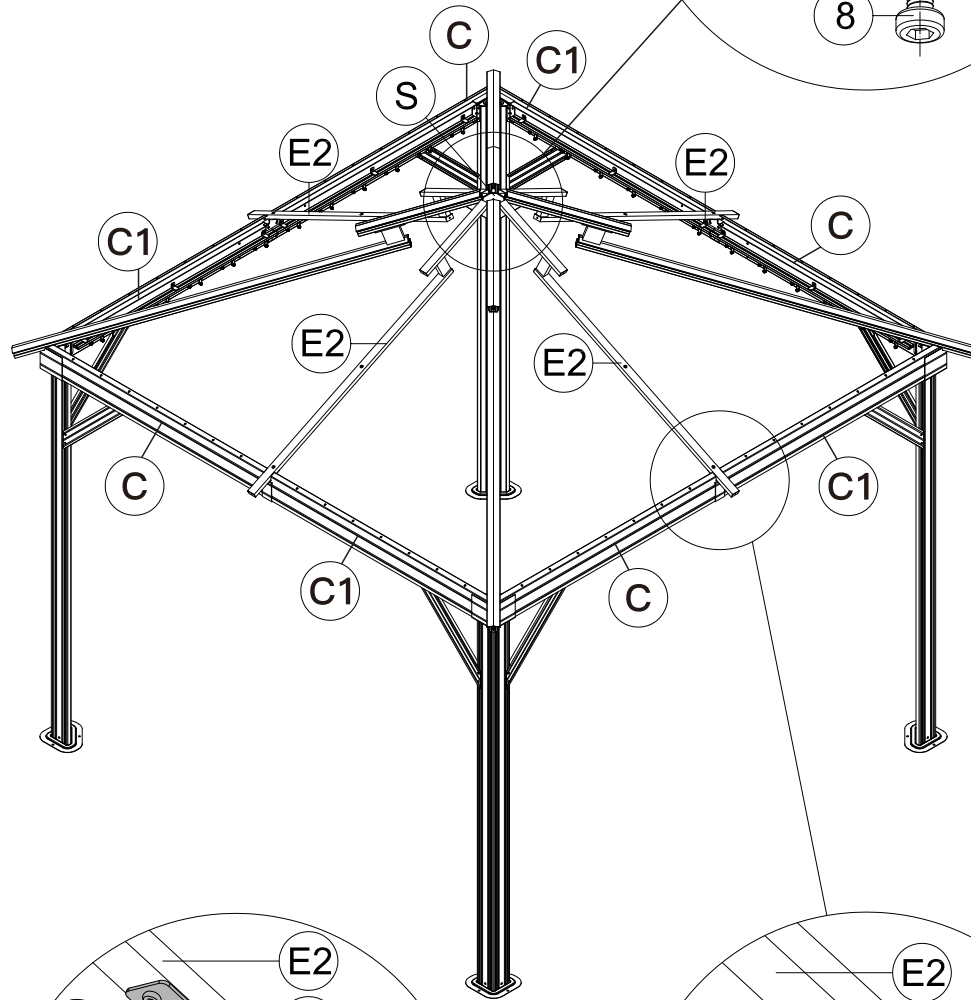
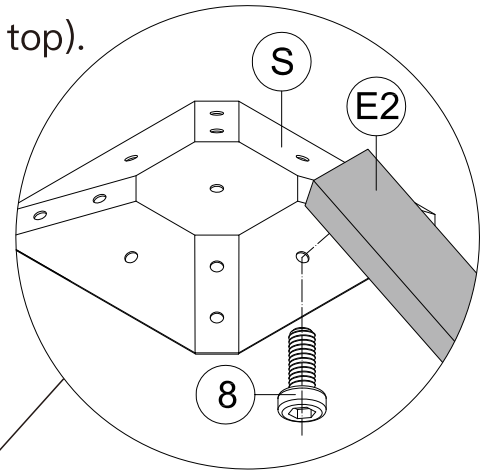
M6x16

8 12x

(1) Place Part #E2 on part #S.

Secure with Bolt #8 (from bottom to top).

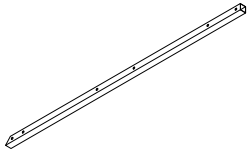
Outside View



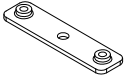
Inside View

(2) Connect Part #E2 and the Assembled Beam(C&C1) with part #U1.  
Secure with 2 Bolts #8.

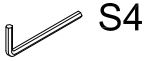
(3) Repeat the above procedures for the other 3 sides.



F 8x



U3 4x



1 1x



M6x10

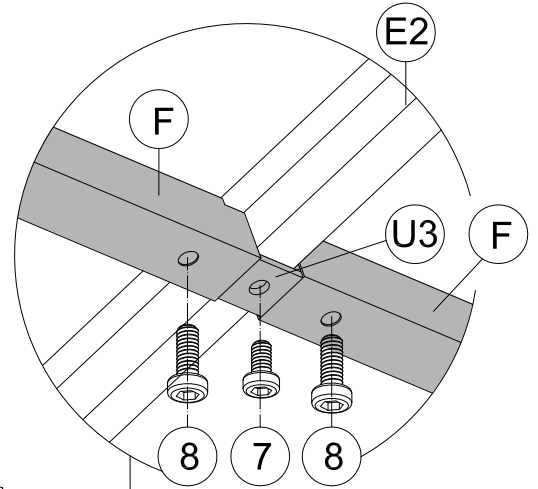
7 4x



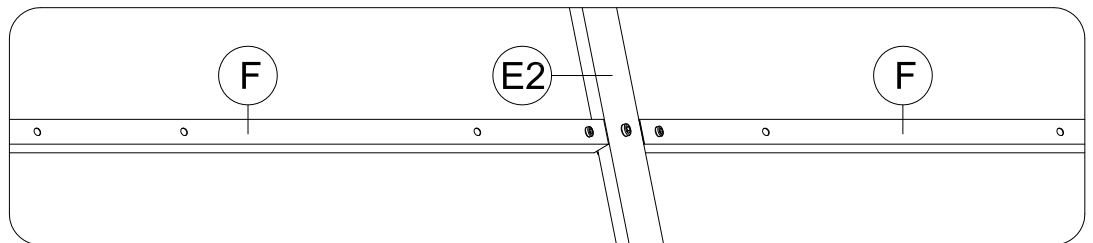
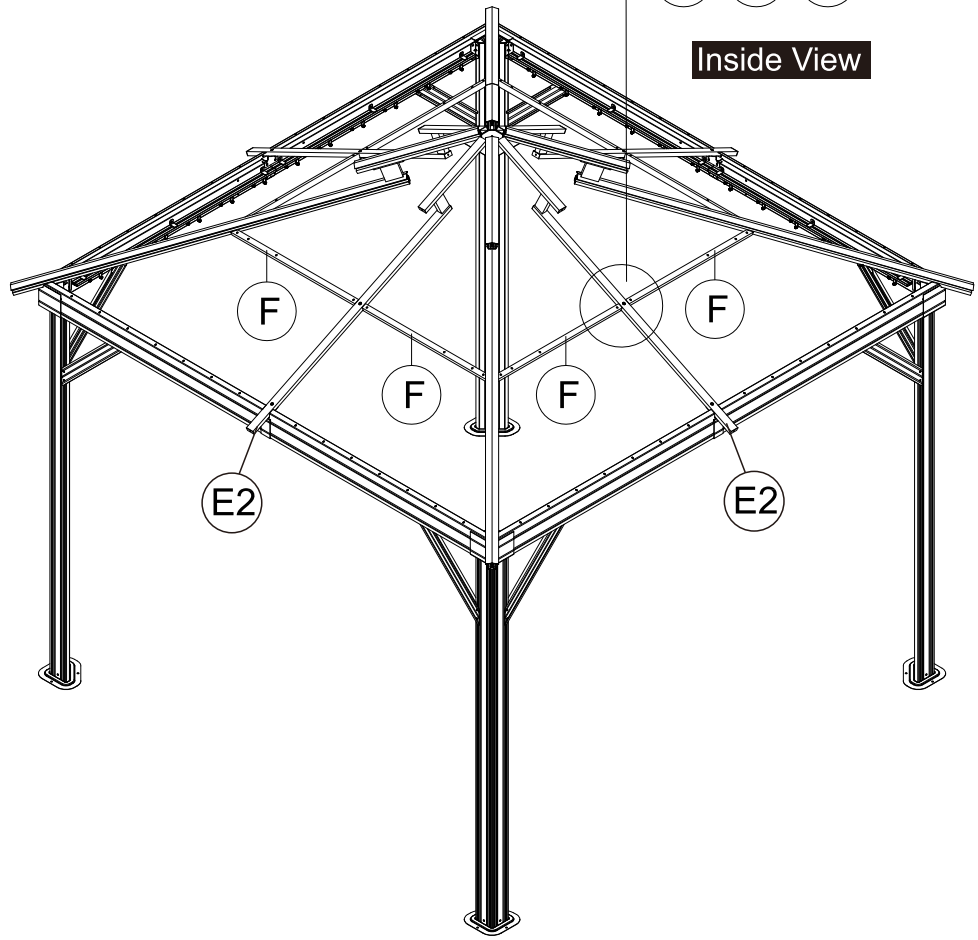
M6x16

8 8x

(1) Insert Part #U3 into 2 Part #F.  
(2) Attach Part #F to the Part #E2 with 1 Bolt #7 and 2 Bolts #8.



Inside View

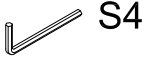


(3) Repeat the above procedures for the other 3 sides.

Outside View



U2 4x

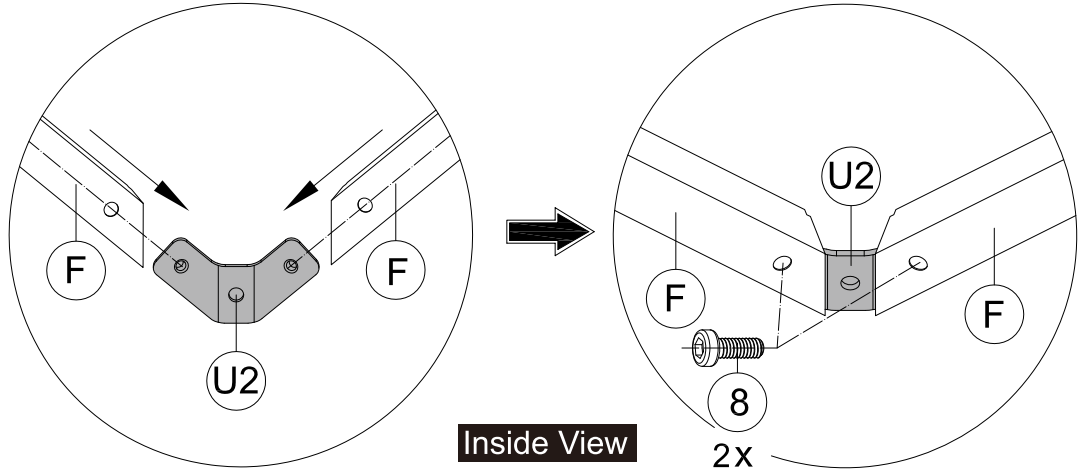


1 1x



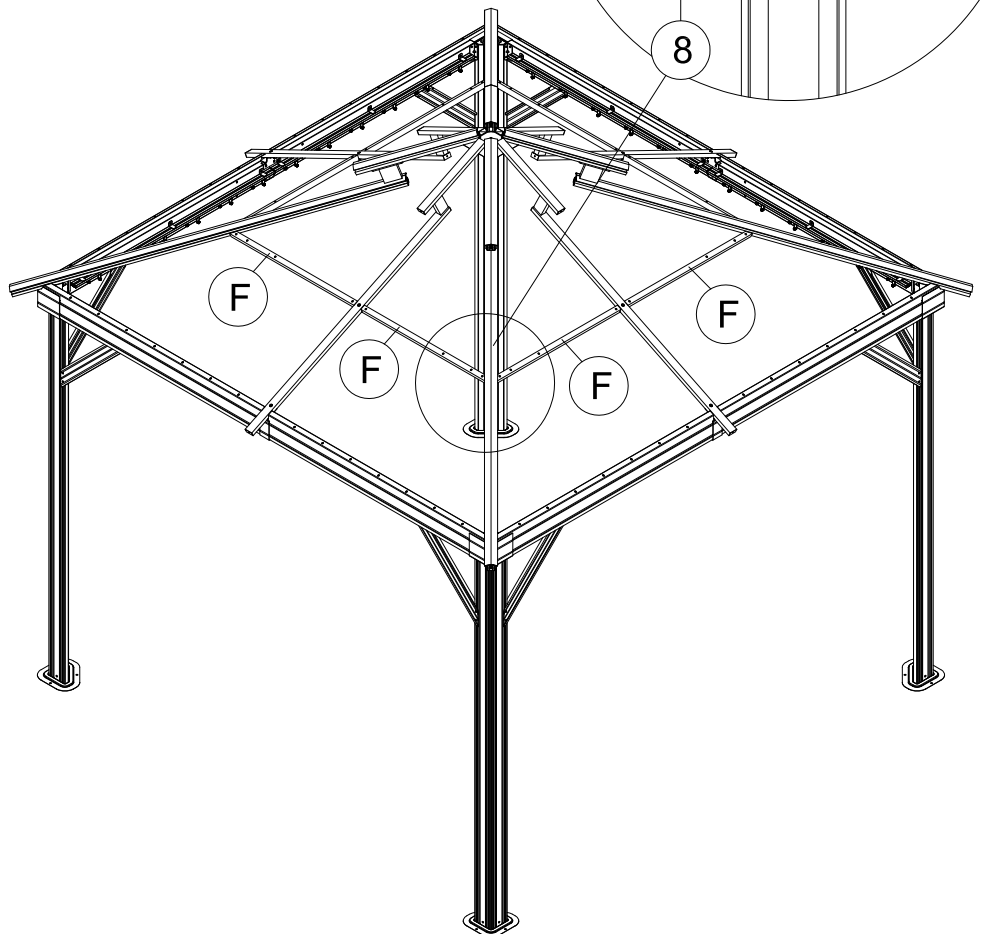
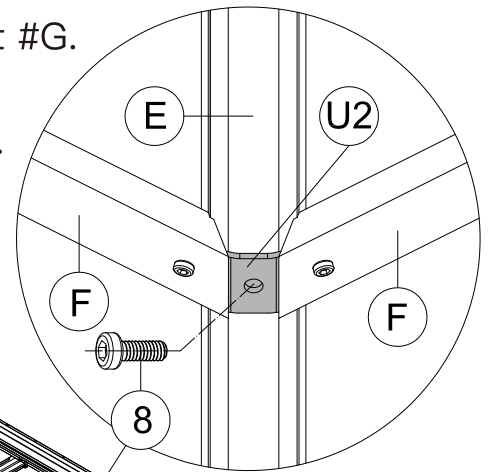
M6x16

8 12x

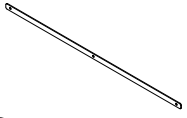


Inside View

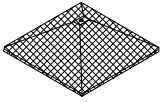
- (1) Insert Part #U2 into Part #F and Part #G.
- (2) Secure with 2 Bolts #8.
- (3) Secure them to Part #E with Bolt #8.



- (4) Repeat the above procedures for the other 3 sides.

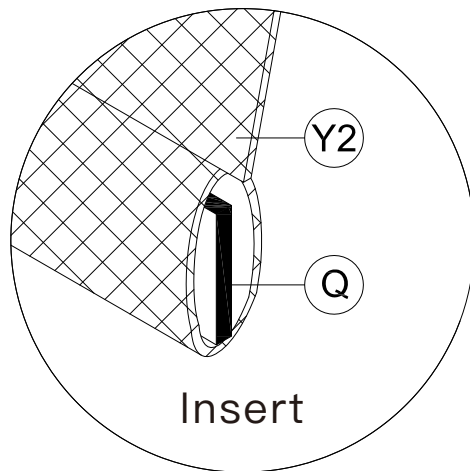
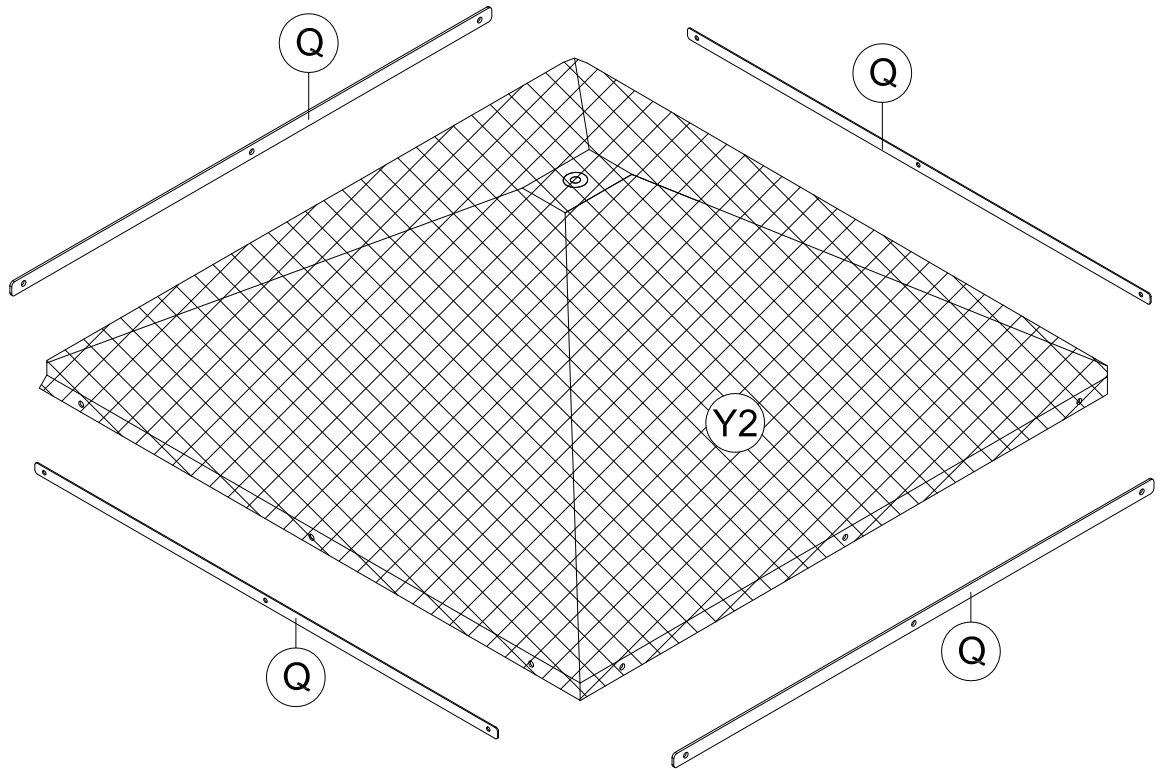


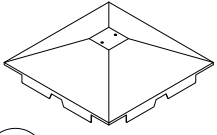
Q 4x



Y2 1x

# Insert the Plastic Bar into the Small Mesh



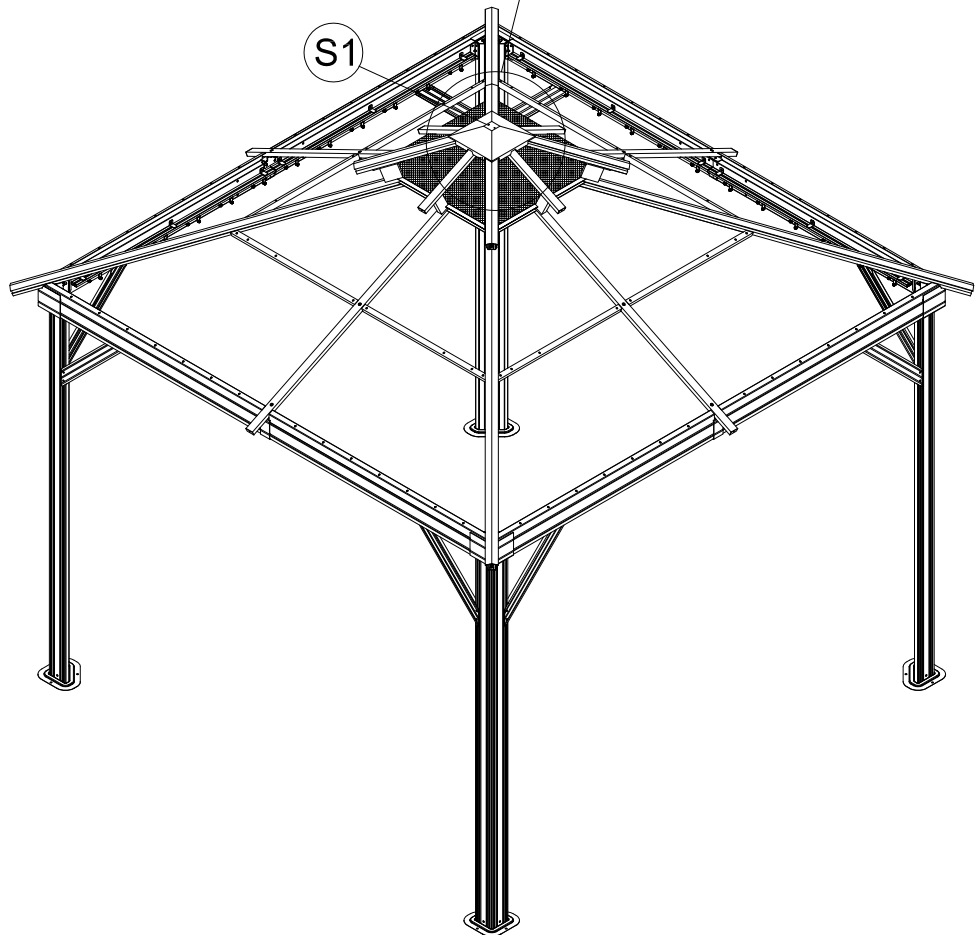
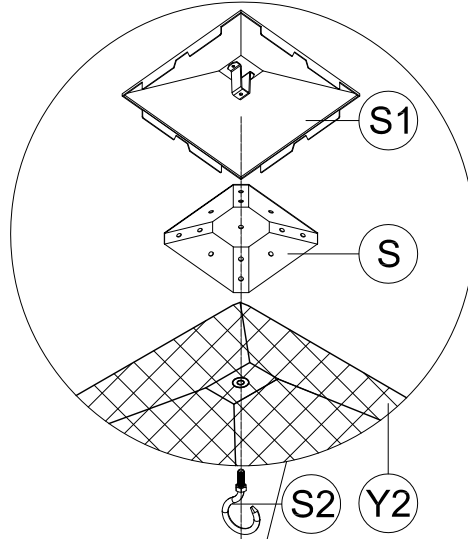


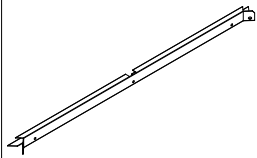
(S1) 1x



(S2) 1x

Place the Outside Roof Cover #S1 on the inside Roof Cover, align the holes and use Hook #S2 to secure the Small Mesh #Y2 to the inside Roof Cover (From Bottom to Top).





J 4x



1 1x



ST6.3x15

2 4x



M6

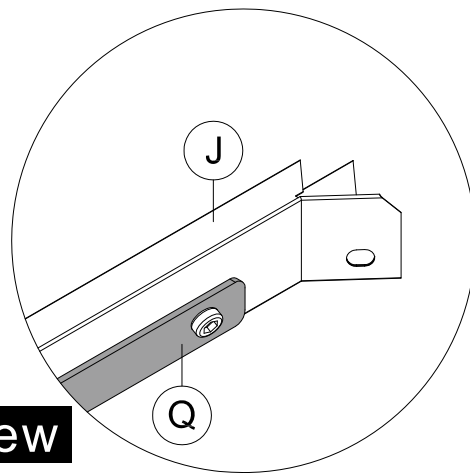
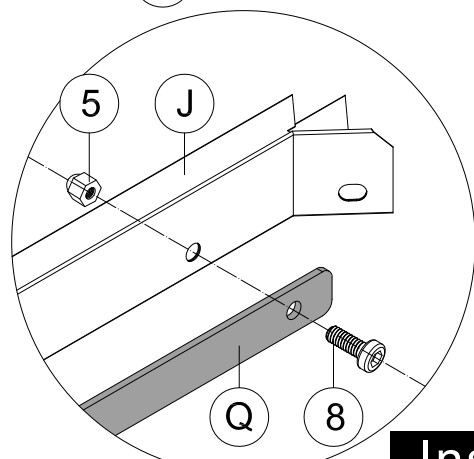
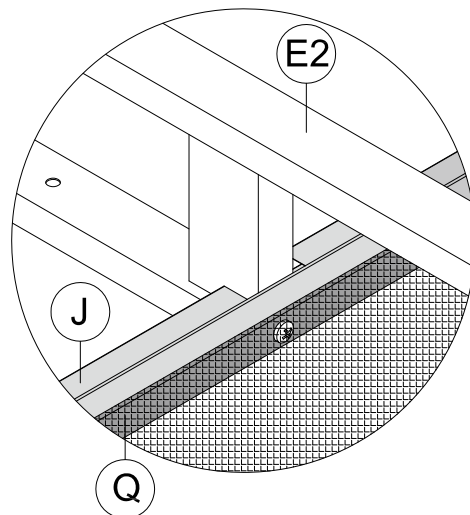
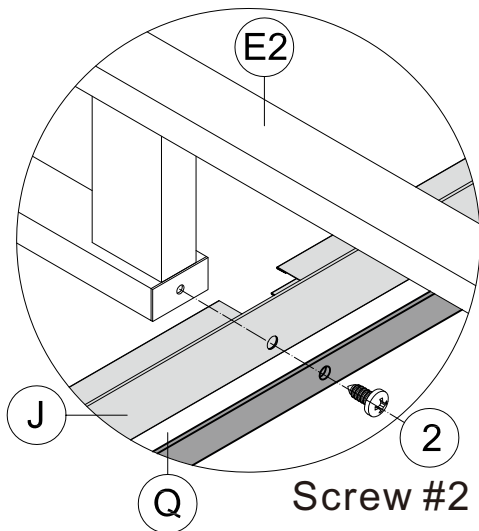
5 8x



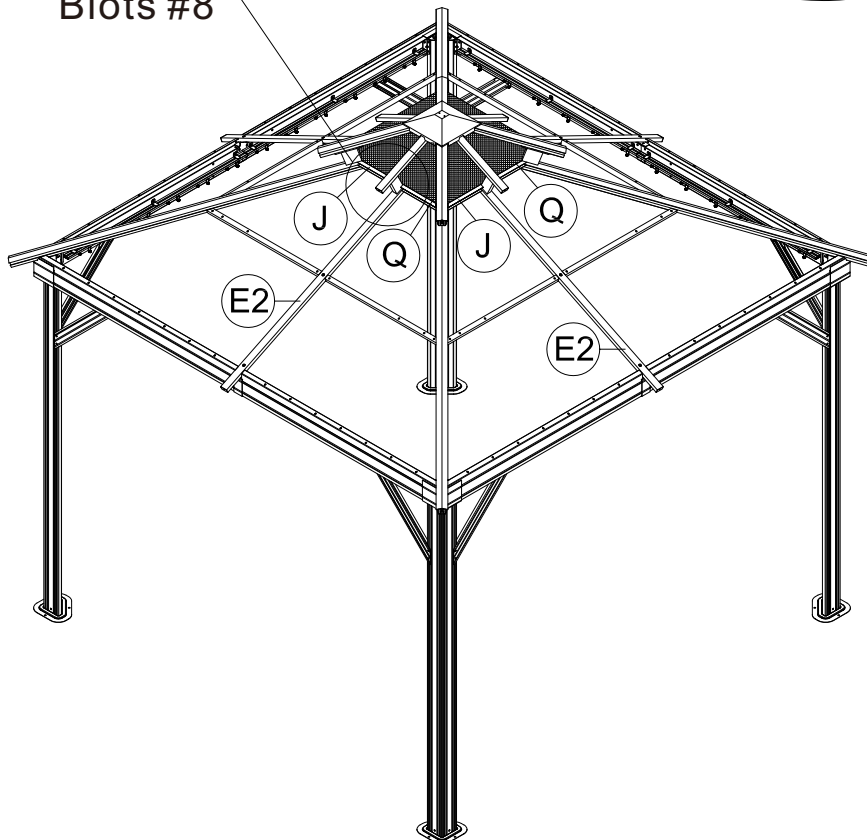
M6x16

8 8x

Use plastic bar #Q to assemble the small mesh #Y2 and finishing bar #J to the middle roof tube #E2.



**Inside View**



⚠ Please do not pull plastic bar out when installing it with #J on the middle roof tube #E2.



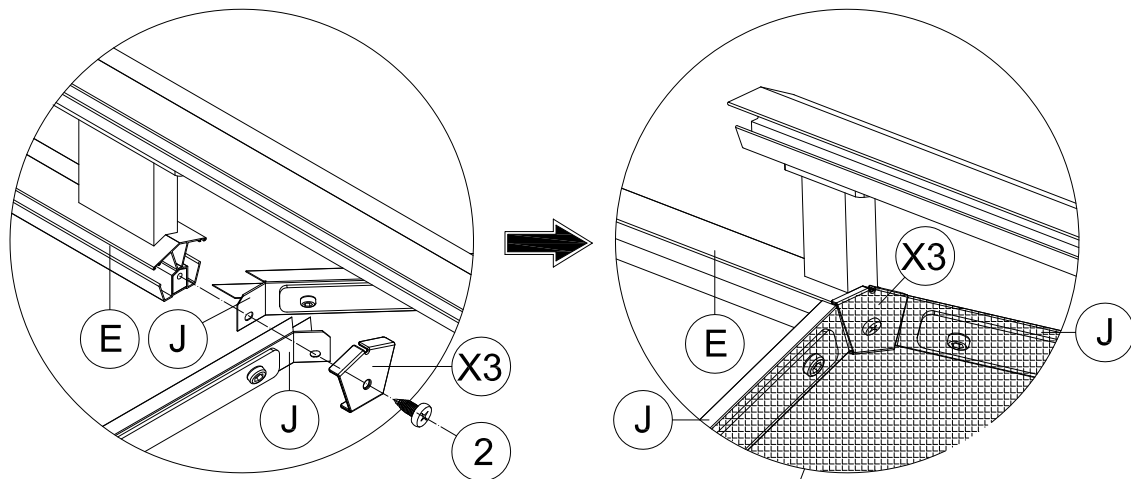
X3 4x



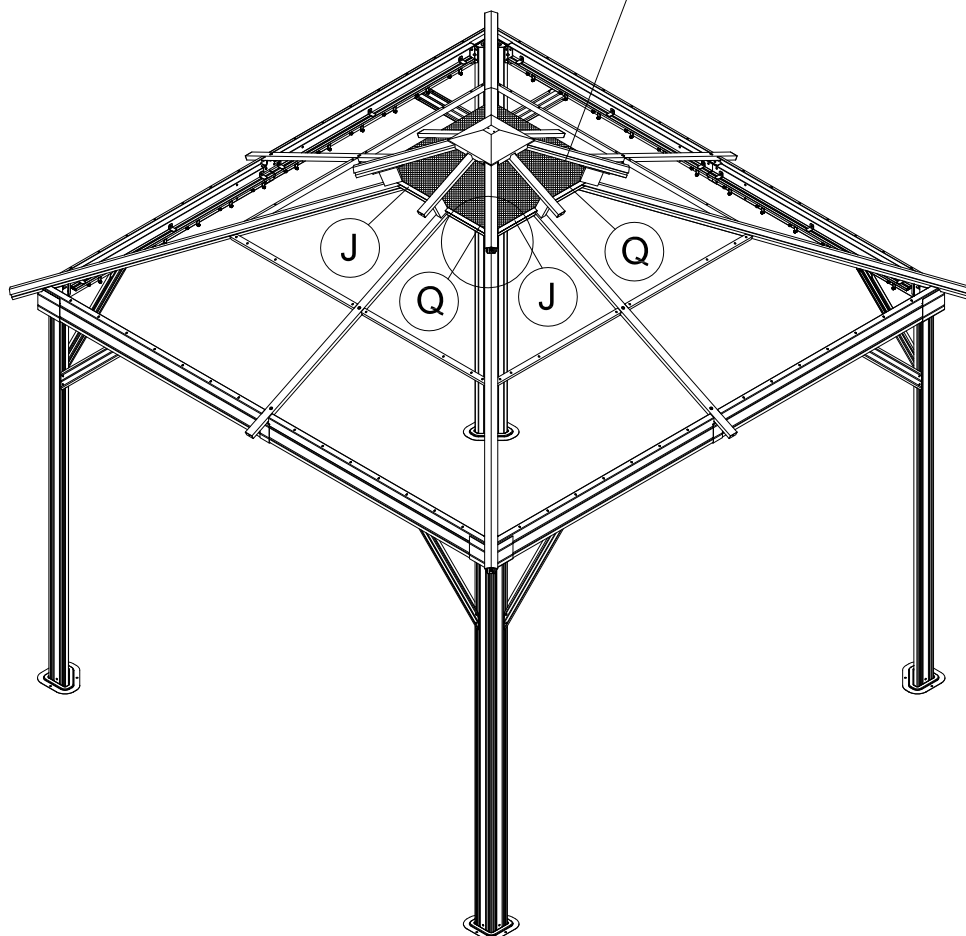
ST6.3x15

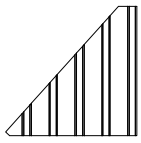
2 4x

Use 4 Screws #2 to secure the small mesh, finishing end #X3 and finishing bar #J to the corner roof tube #E.

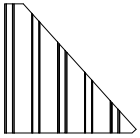


### Inside View

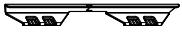




L1 4x



L2 4x



Z 8x



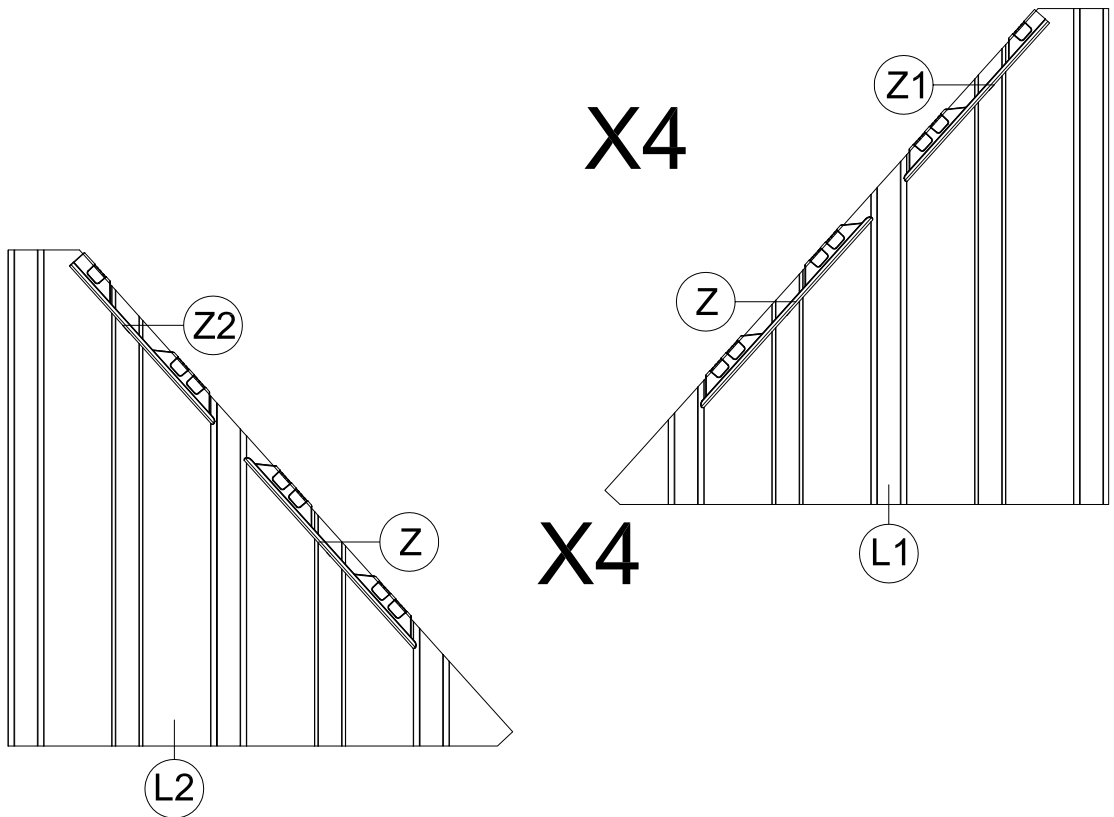
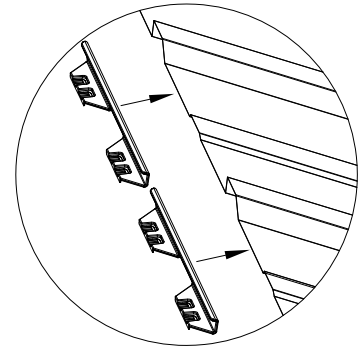
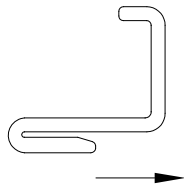
Z1 4x



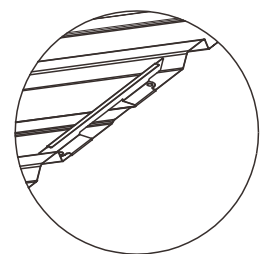
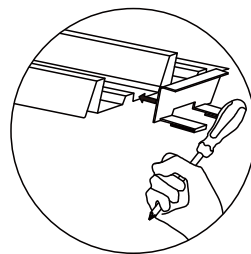
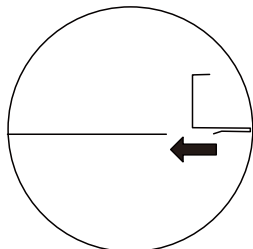
Z2 4x

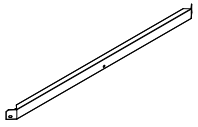
# Cover Part #Z, #Z1 & #Z2 to Roof Panels.

## Section View



**⚠ Please install Plastic Clips in strict accordance with the instructions.**





H 4x

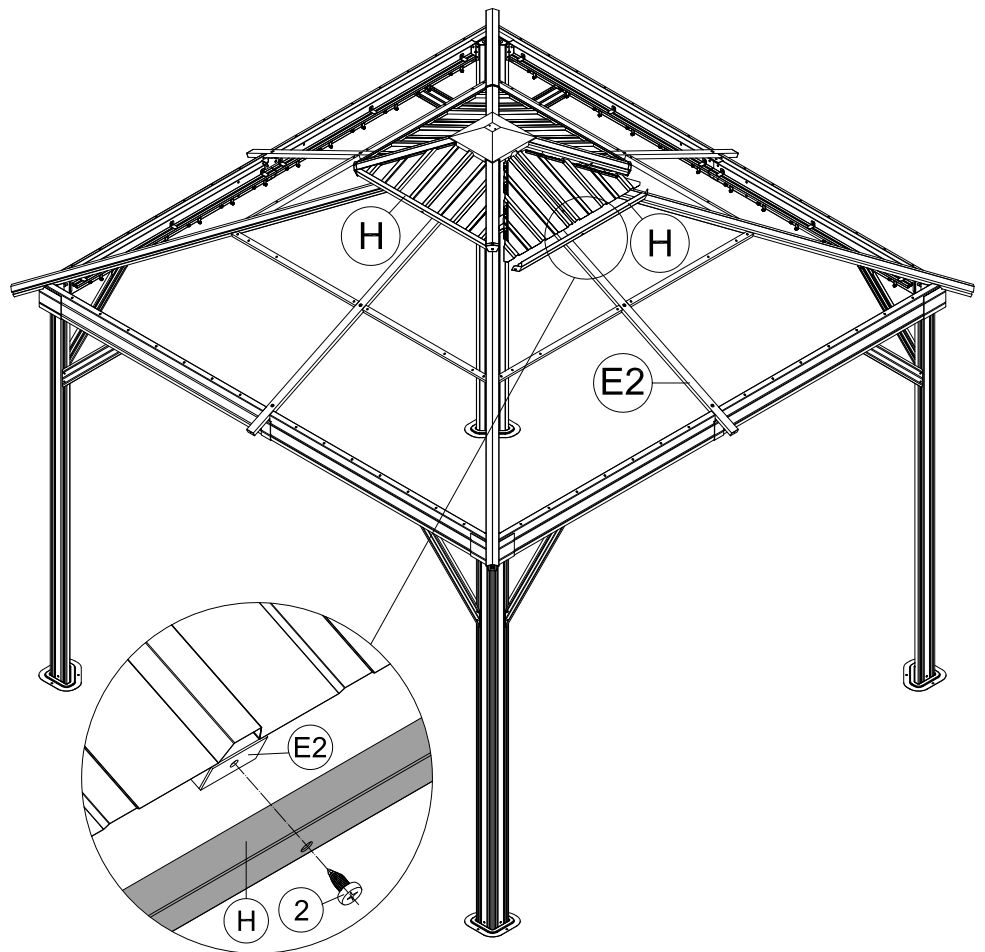
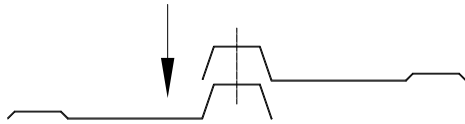
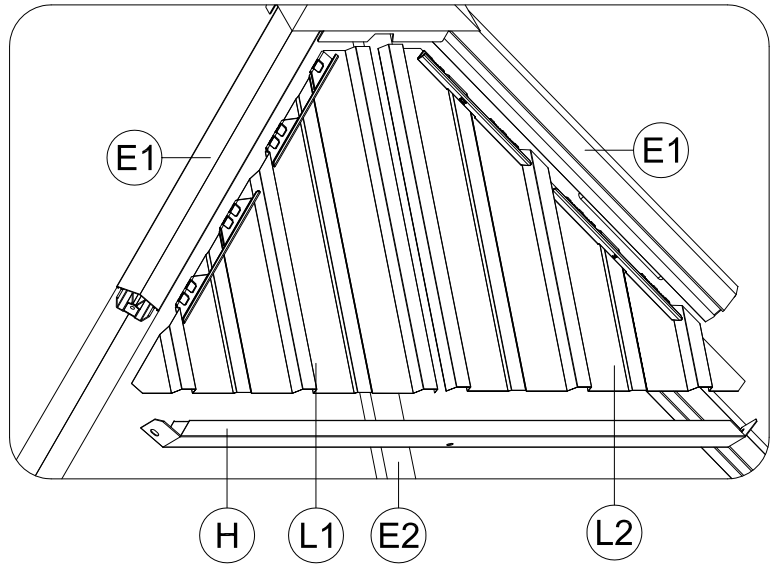
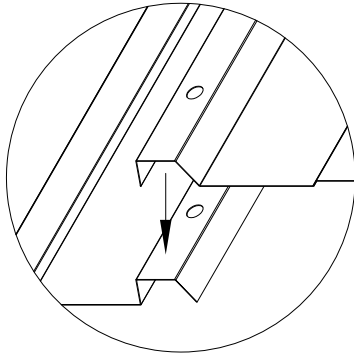


ST6.3x15

2 4x

ATTENTION: The bigger roof panel need to cover the smaller one.

(1) Insert Part #L1 and Part #L2 into the frame.



(2) Attach Part #H to Part #E2, securing with Bolt #2.

(3) Repeat the above procedures for the other 3 sides.



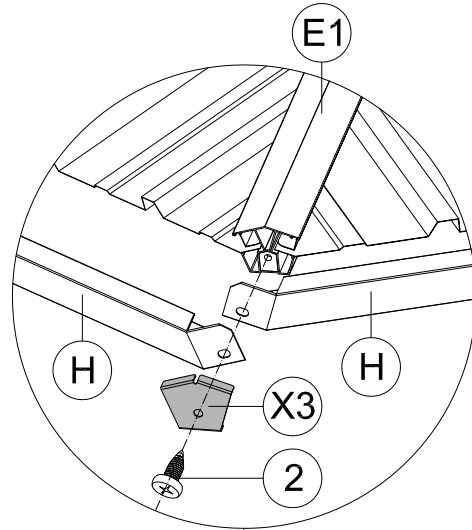
X3 4x



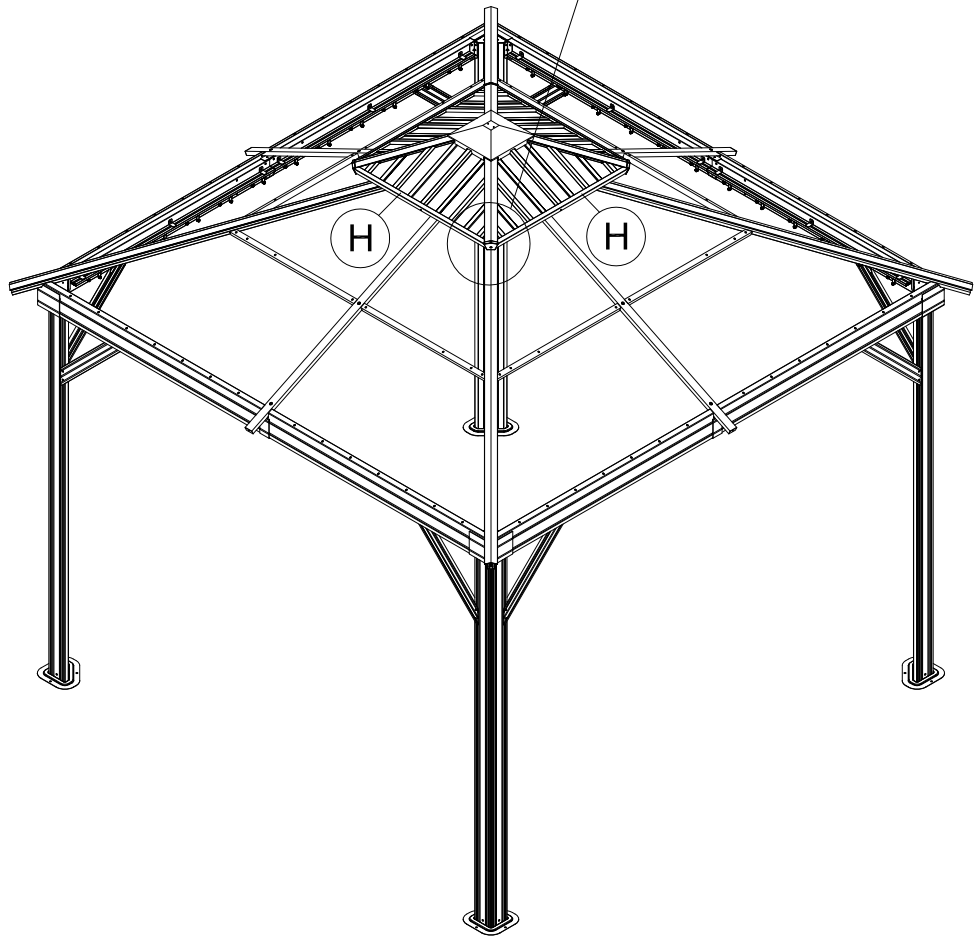
ST6.3x15

2 4x

(1) Place 2 Part #H on Part #E1, put on Part #X3 and secure with Self-tapping Screw #2.

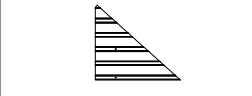


Outside View

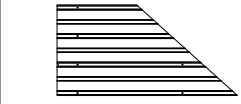


(2) Repeat the above procedures for the other 3 corners.

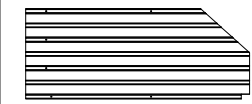
# Cover Part #Z, #Z3 & #Z4 to Roof Panels.



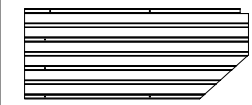
M1 4x



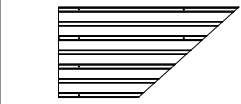
M2 4x



M3 4x



M4 4x



M5 4x



M6 4x



Z 48x

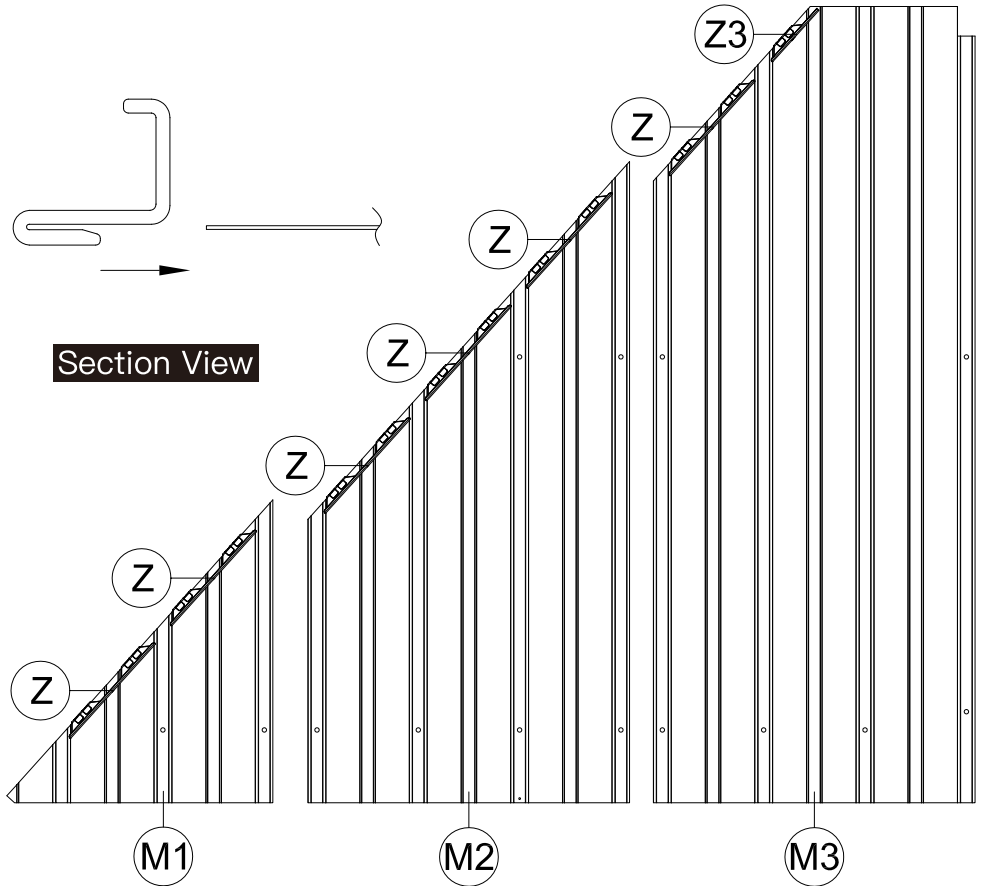


Z3 4x

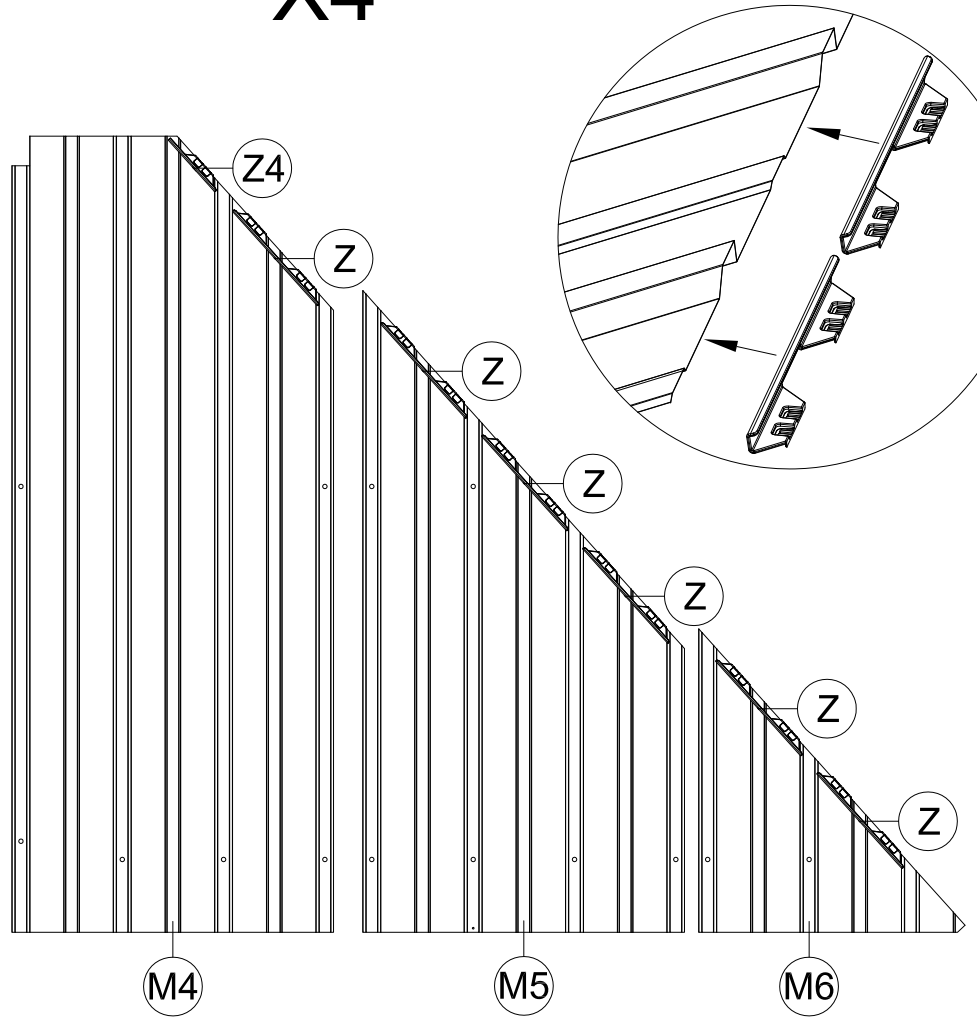


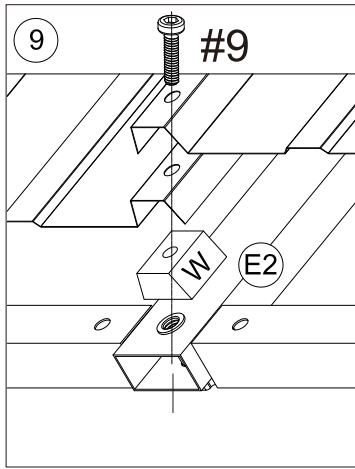
Z4 4x

26

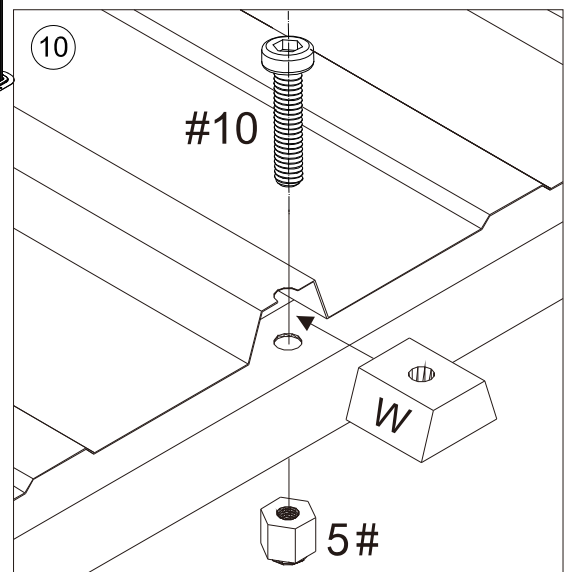
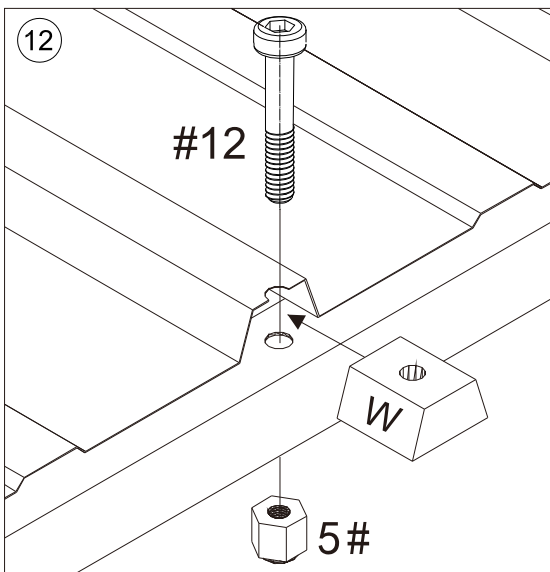
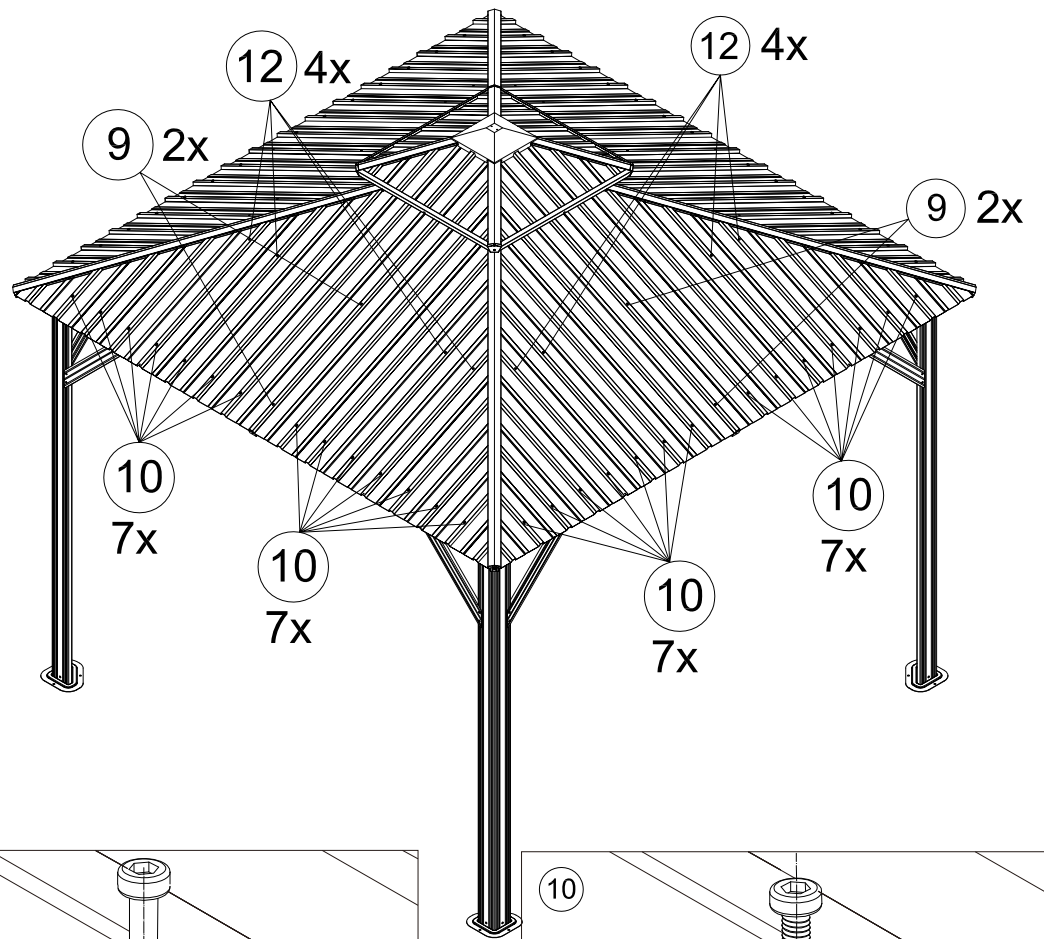


X4

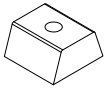




⚠ Part #W should be inserted between roof panels and solidifying bar or beams, then secure with bolts and nuts.



**ATTENTION:** The bigger roof panel need to cover the smaller one.



(W) 20x



(1) 1x



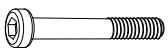
M6

(5) 20x



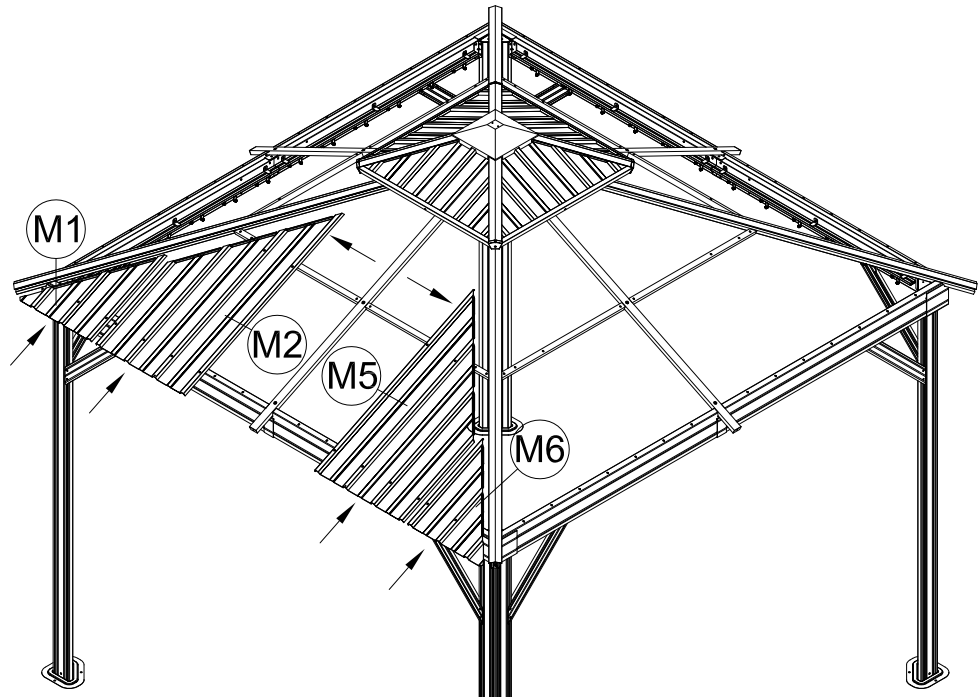
M6x28

(10) 16x

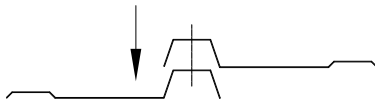


M6x50

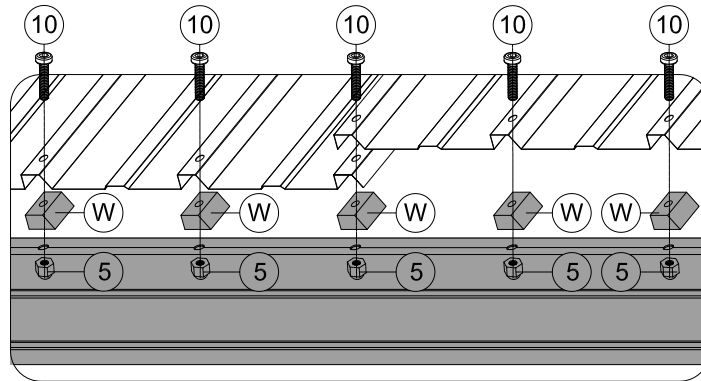
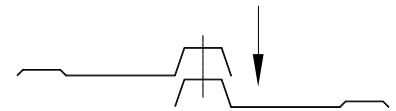
(12) 4x



(1) Insert Part #M1 and Part #M2 into the frame.

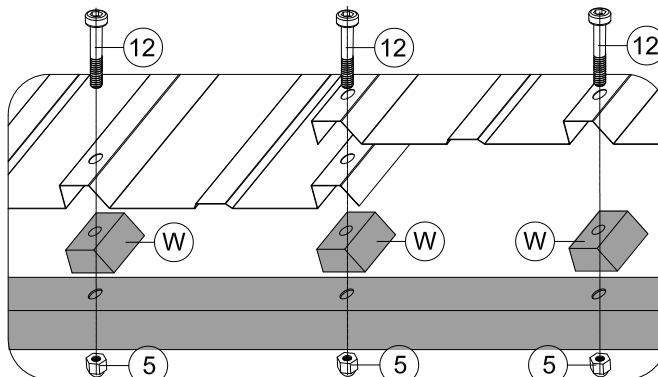


(2) Insert Part #M5 and Part #M6 into the frame.



**Beam**

(3) Place 8 Part #W between roof panels and beams. Then secure with 8 Bolts #10 and 8 Nuts #5.

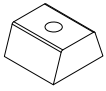


(4) Place 2 Part #W between roof panels and solidifying bars. Then secure with 2 Bolts #12 and 2 Nuts #5.

**Solidifying Bar**

(5) Repeat the above procedures to assemble the opposite side.

**ATTENTION:** The bigger roof panel need to cover the smaller one.



(W) 16x



(1) 1x



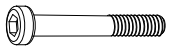
M6

(5) 16x



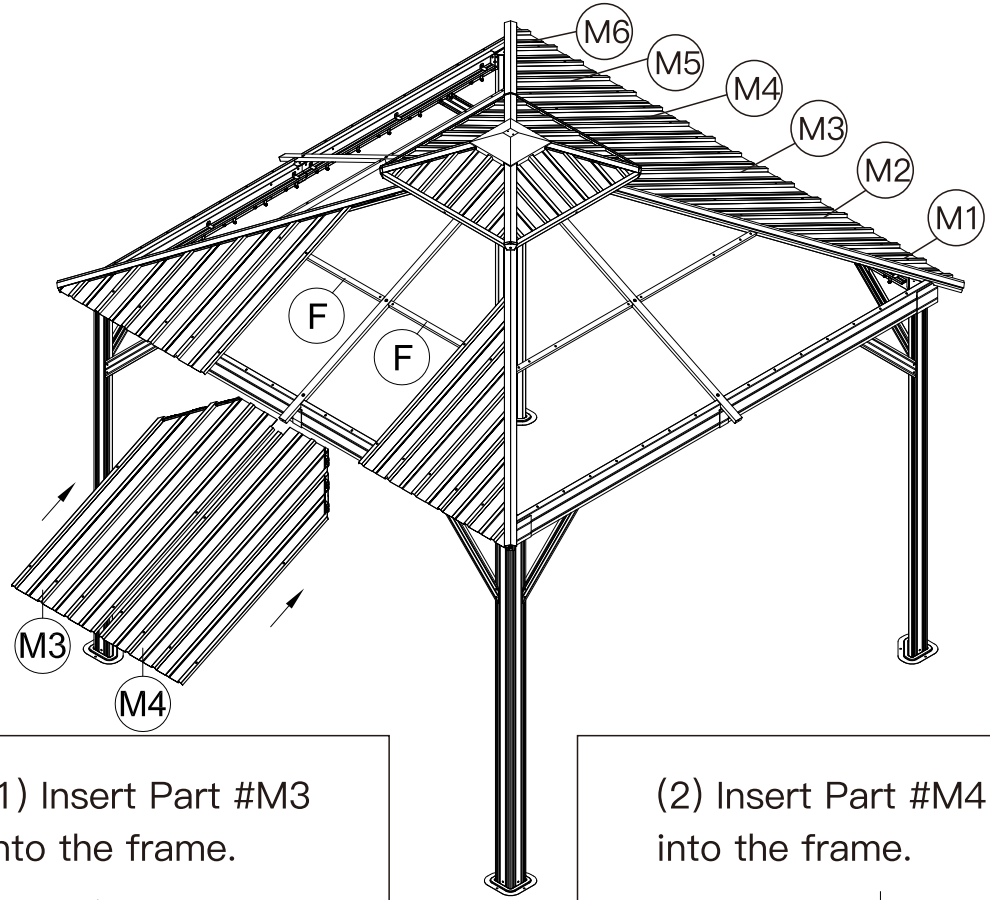
M6x28

(10) 12x

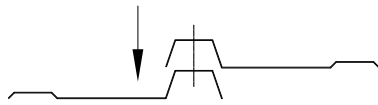


M6x50

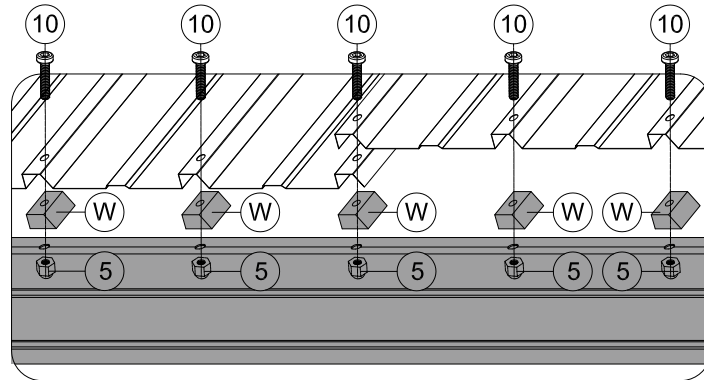
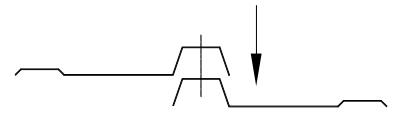
(12) 4x



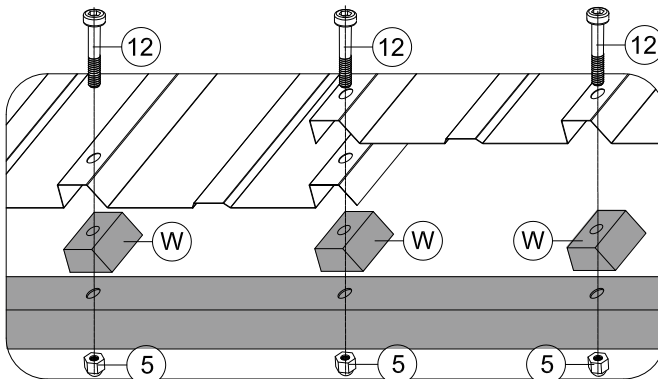
(1) Insert Part #M3 into the frame.



(2) Insert Part #M4 into the frame.



(3) Place 6 Part #W between roof panels and beams. Then secure with 6 Bolts #10 and 8 Nuts #5.

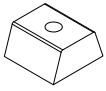


(4) Place 2 Part #W between roof panels and solidifying bars. Then secure with 2 Bolts #12 and 2 Nuts #5.

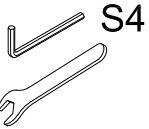
**Solidifying Bar**

(5) Repeat the above procedures to assemble the opposite side.

**ATTENTION:** The bigger roof panel need to cover the smaller one.



(W) 20x



(1) 1x



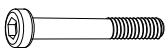
M6

(5) 20x



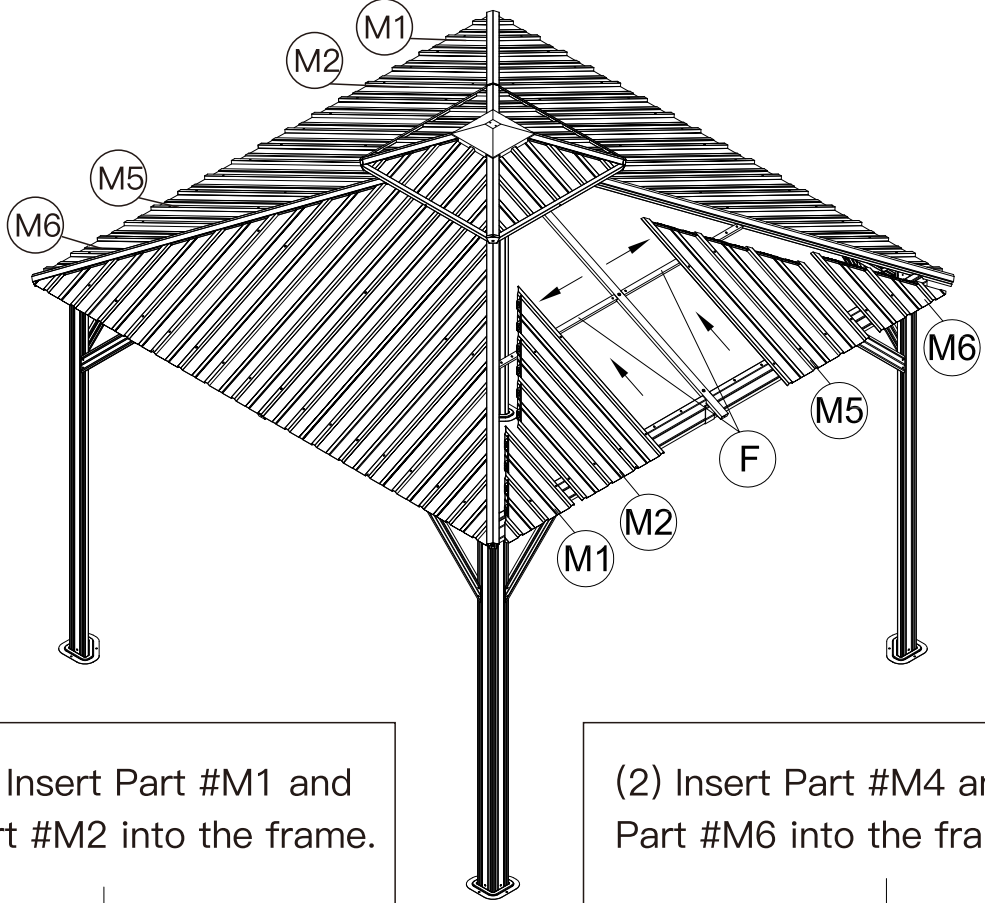
M6x28

(10) 16x

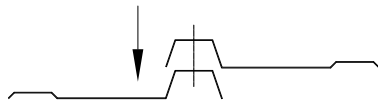


M6x50

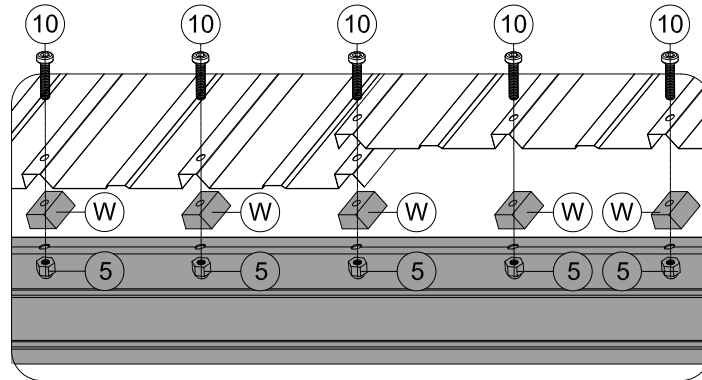
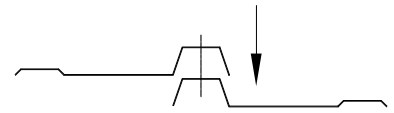
(12) 4x



(1) Insert Part #M1 and Part #M2 into the frame.

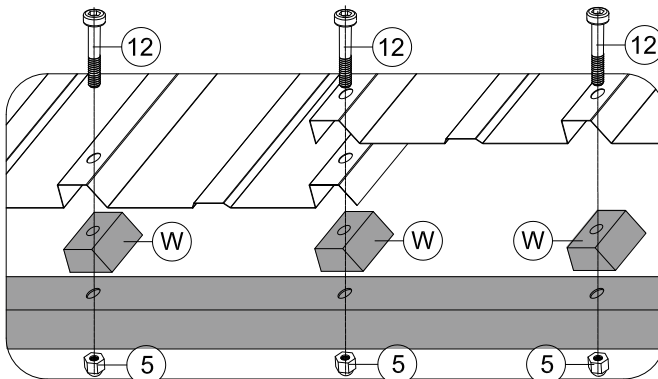


(2) Insert Part #M4 and Part #M6 into the frame.



**Beam**

(3) Place 8 Part #W between roof panels and beams. Then secure with 8 Bolts #10 and 8 Nuts #5.

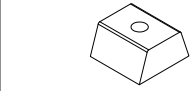
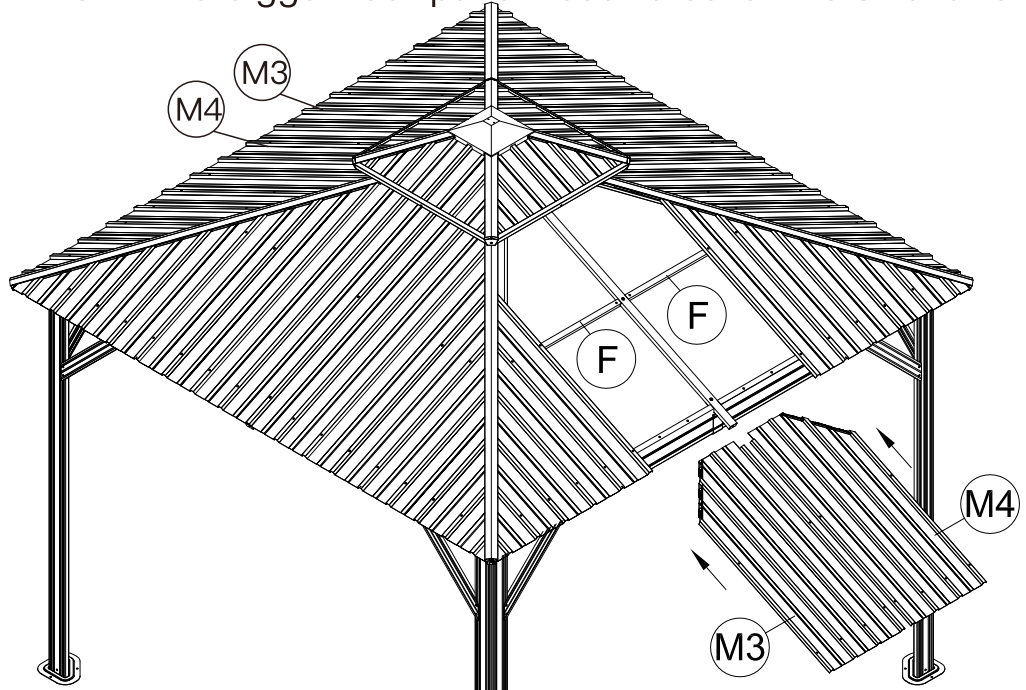


(4) Place 2 Part #W between roof panels and solidifying bars. Then secure with 2 Bolts #12 and 2 Nuts #5.

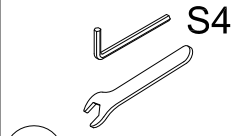
**Solidifying Bar**

(5) Repeat the above procedures to assemble the opposite side.

**ATTENTION:** The bigger roof panel need to cover the smaller one.



(W) 16x



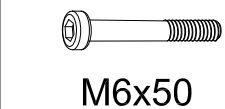
(1) 1x



(5) 16x

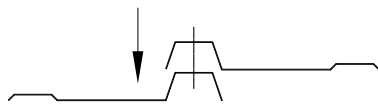


(10) 12x

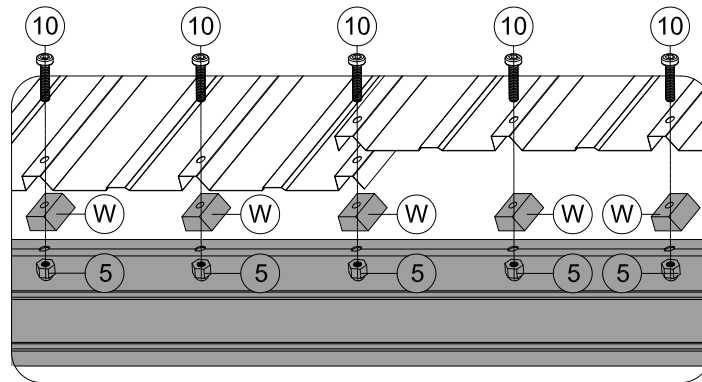
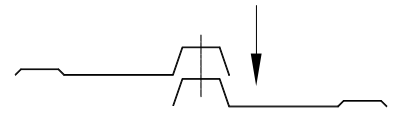


(12) 4x

(1) Insert Part #M3 into the frame.

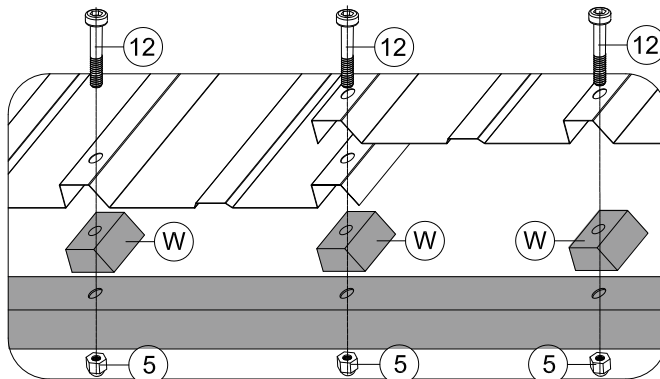


(2) Insert Part #M4 into the frame.



**Beam**

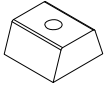
(3) Place 6 Part #W between roof panels and beams. Then secure with 6 Bolts #10 and 6 Nuts #5.



(4) Place 2 Part #W between roof panels and solidifying bars. Then secure with 2 Bolts #12 and 2 Nuts #5.

**Solidifying Bar**

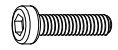
(5) Repeat the above procedures to assemble the opposite side.



W 8x



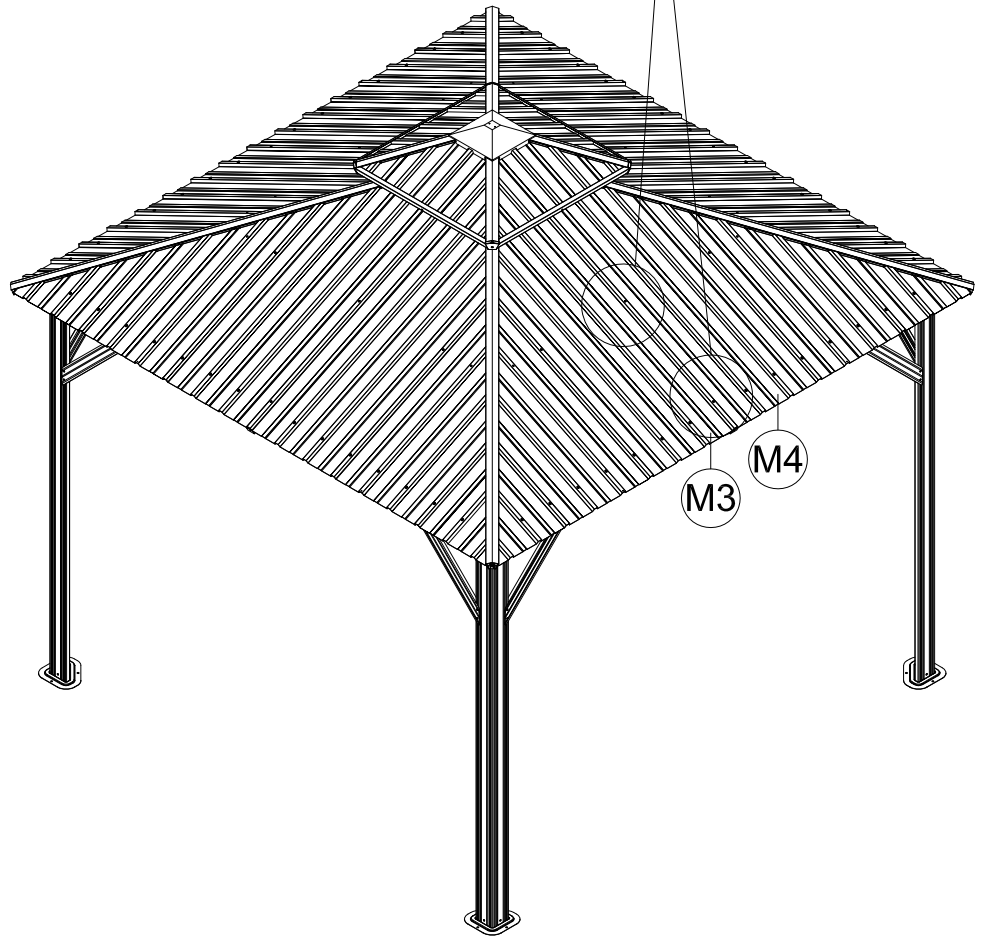
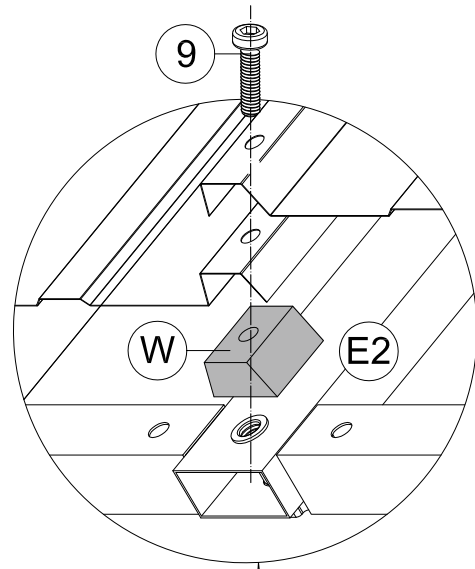
1 1x



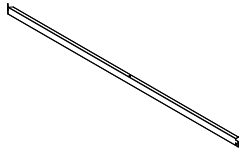
M6x25

9 8x

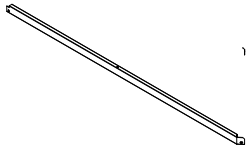
(1) Place Part #W between roof panels and Part #E2. Then secure with Bolt #9.



(2) Repeat the above procedures to assemble the other 3 sides.



(K) 4x



(K1) 4x

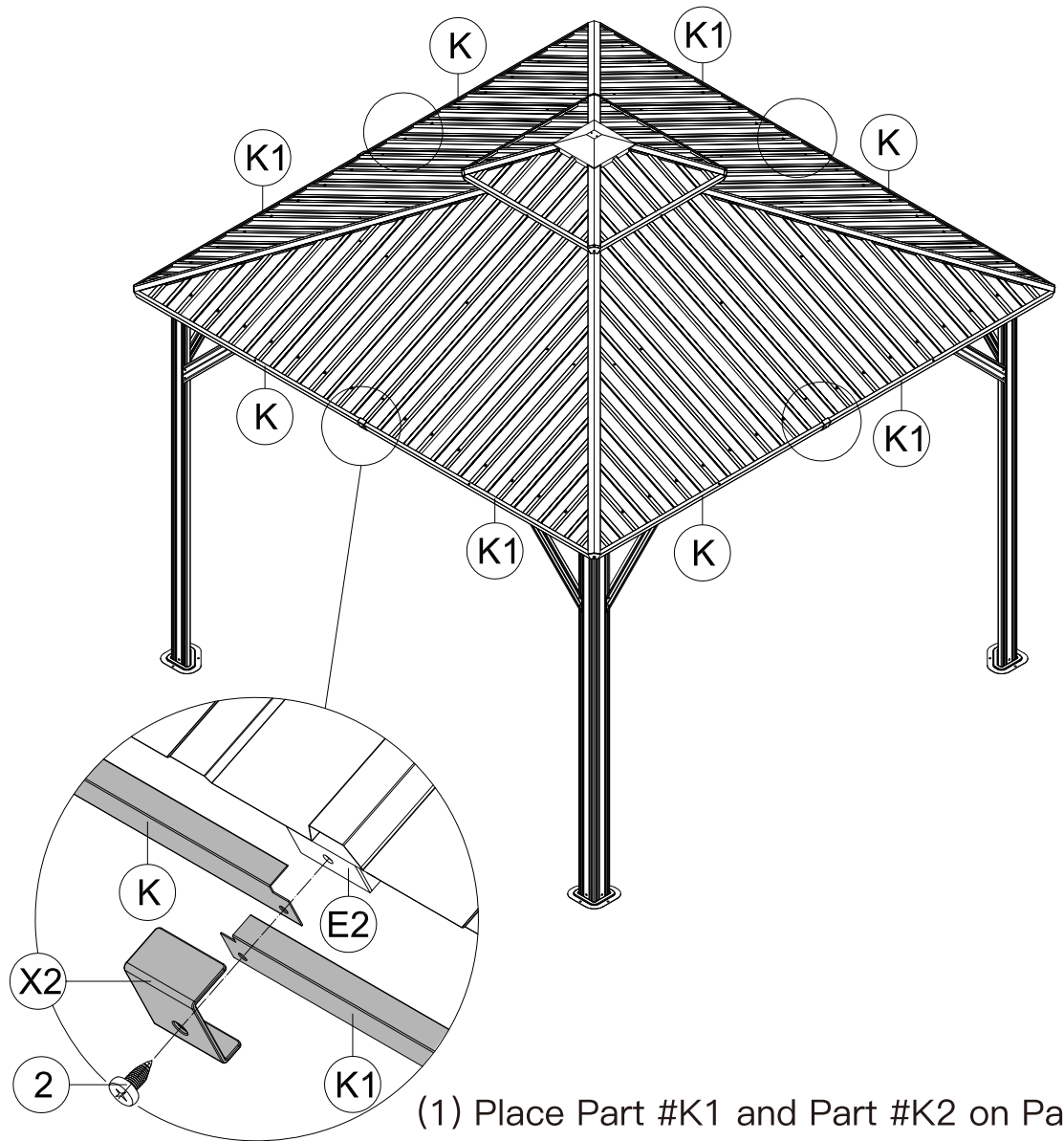


(X2) 4x



ST6.3x15

(2) 4x



(1) Place Part #K1 and Part #K2 on Part #E2; Put on Part #X2 and secure with Self-tapping Screw #2.

(2) Repeat the above procedures for the other 3 sides.

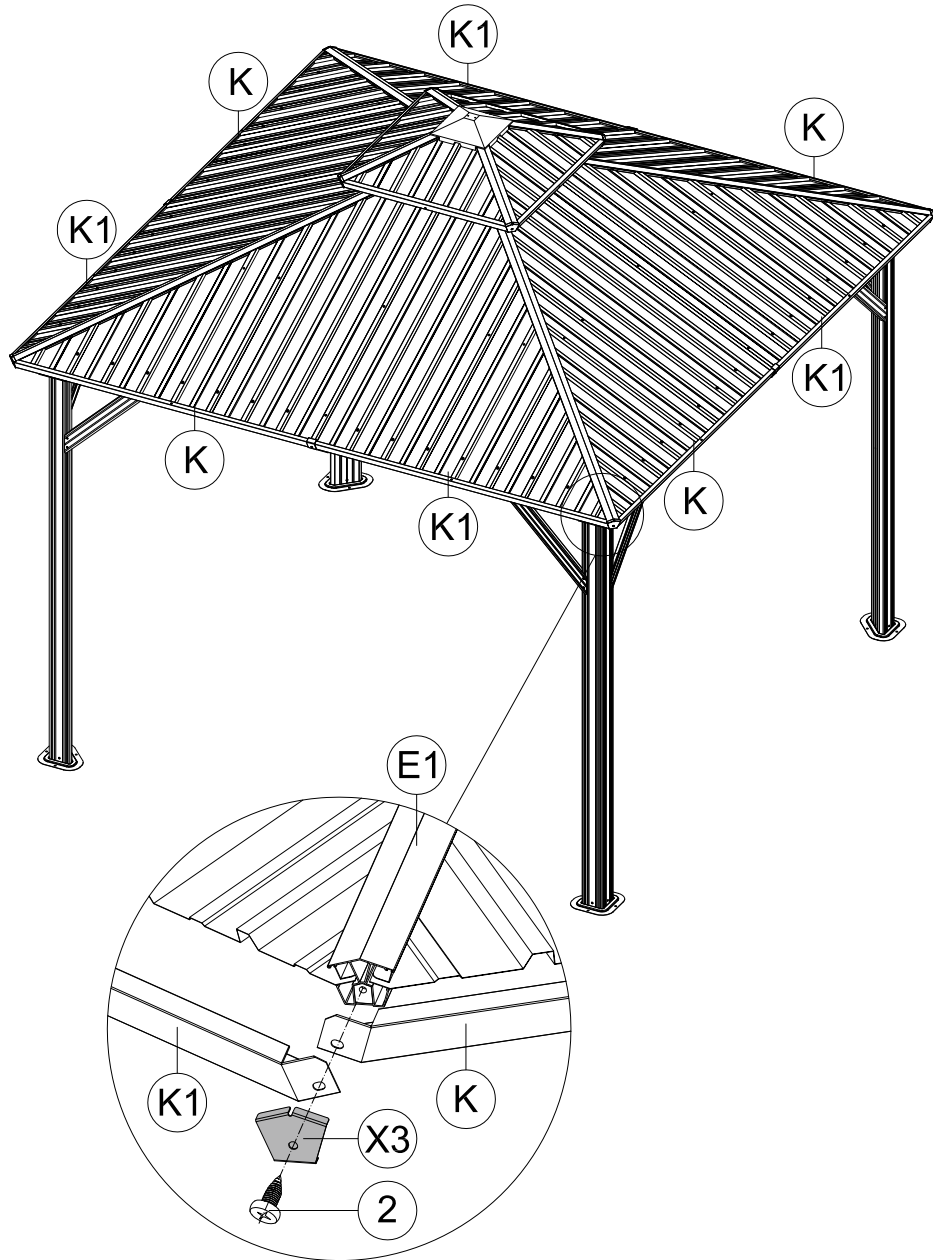


X3 4x



ST6.3x15

2 4x



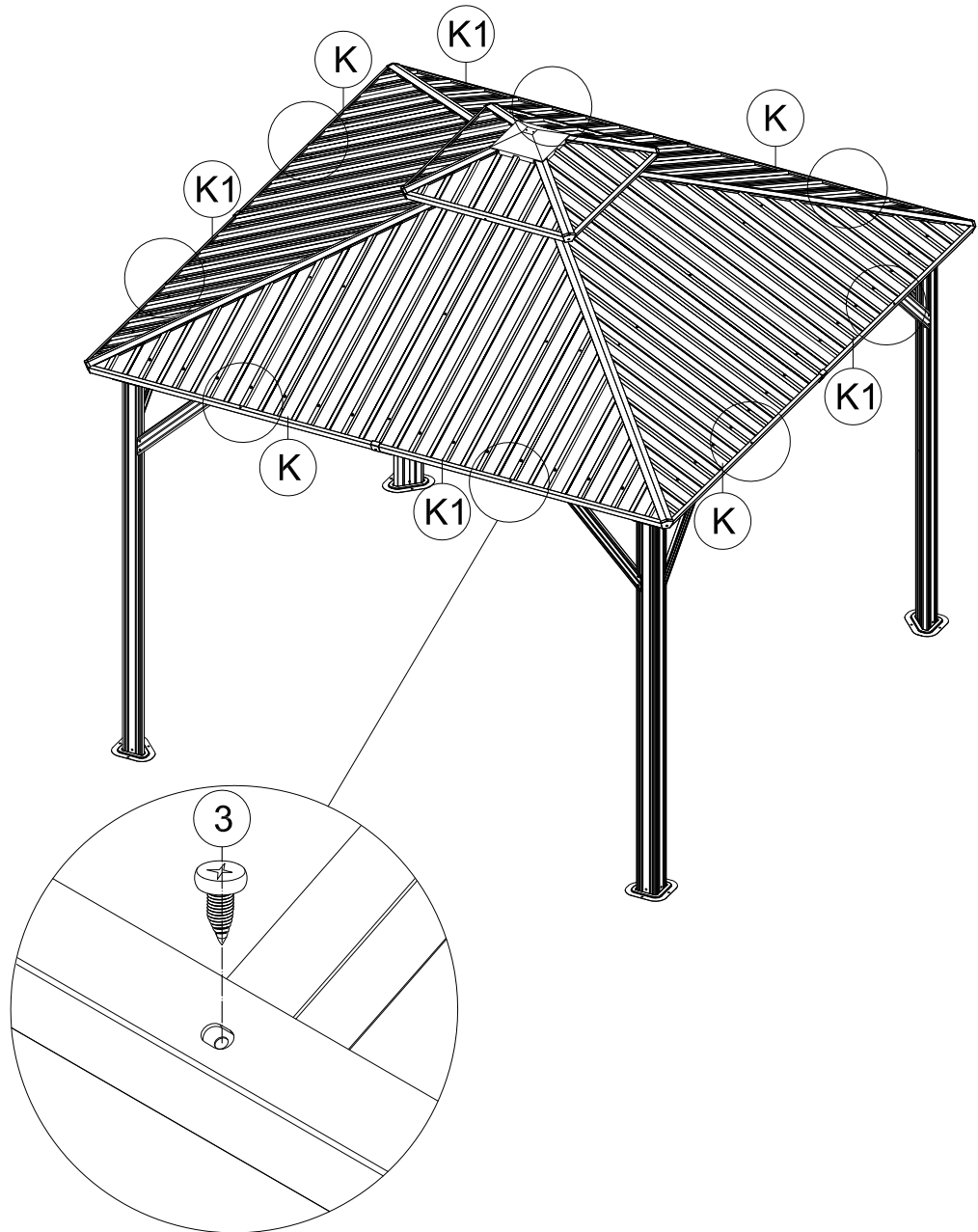
(1) Place Part #K1 and Part #K on Part #E; Put on Part #X3 and secure with Self-tapping Screw #2.

(2) Repeat the above procedures for the other 3 corners.

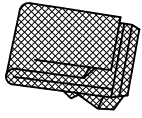


ST5x16

3 8x

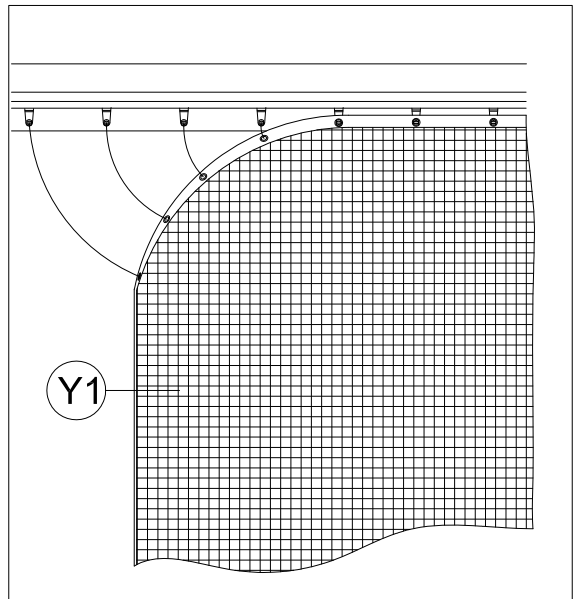
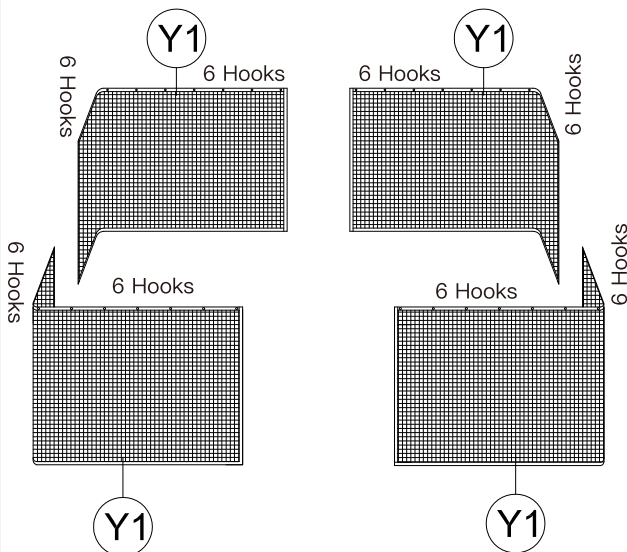
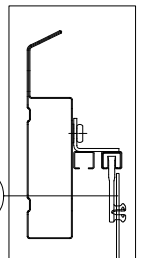
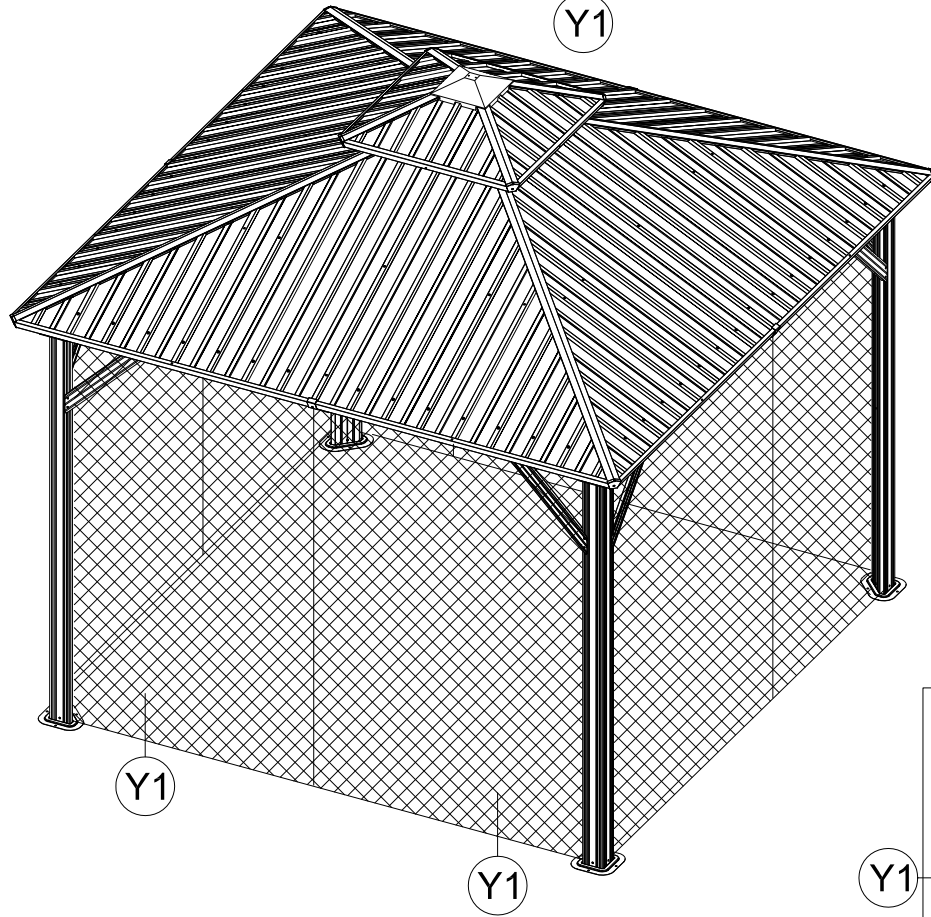
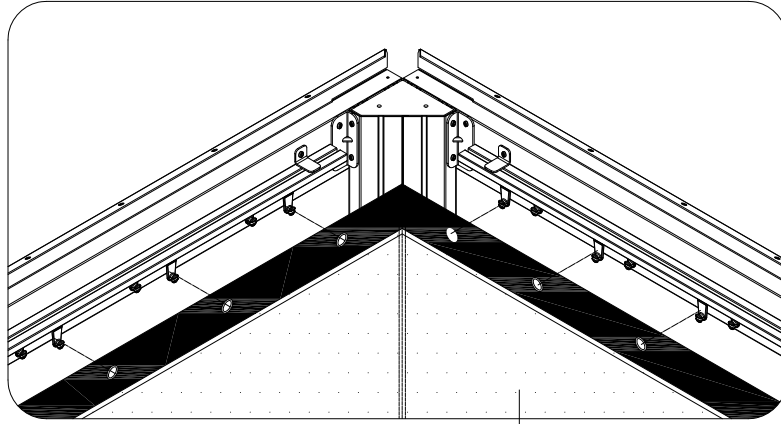


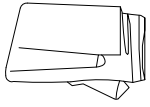
- (1) Attach roof panels to finishing bars with 2 Self-tapping Screws #3.
- (2) Repeat the above procedures for the other 3 sides.



Y1 4x

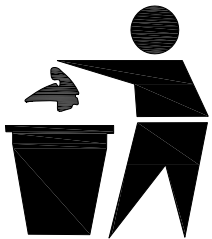
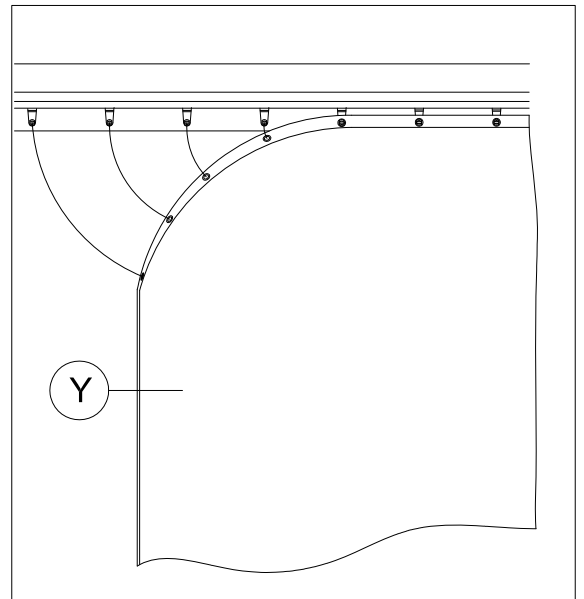
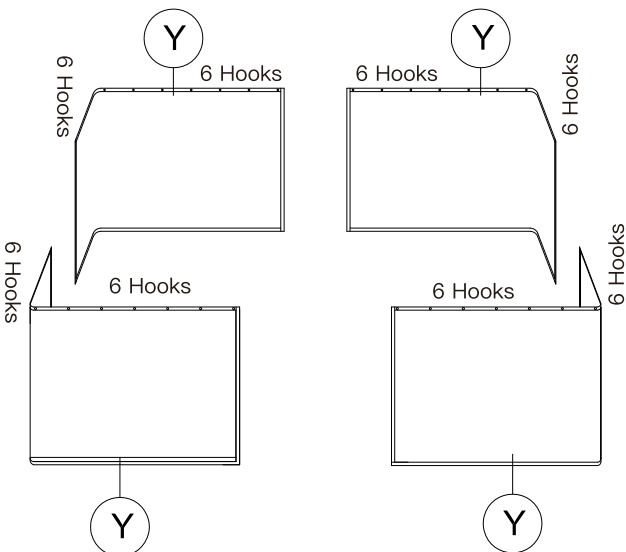
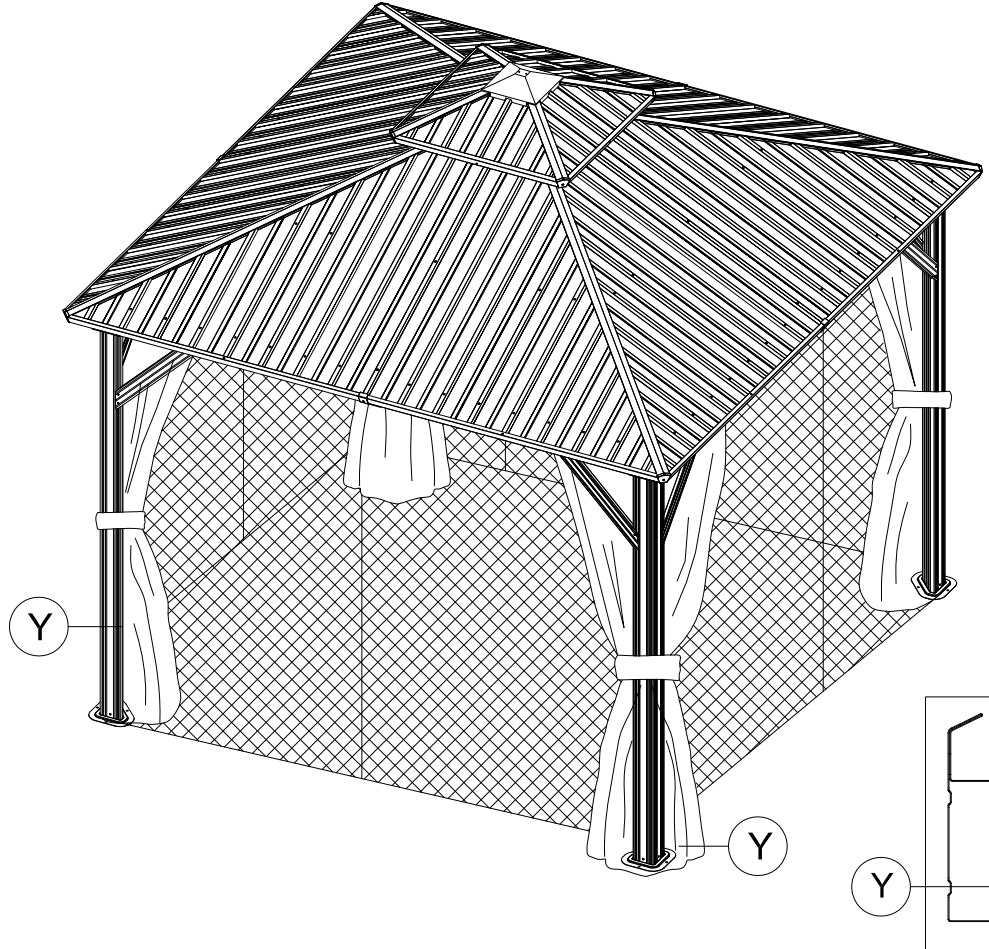
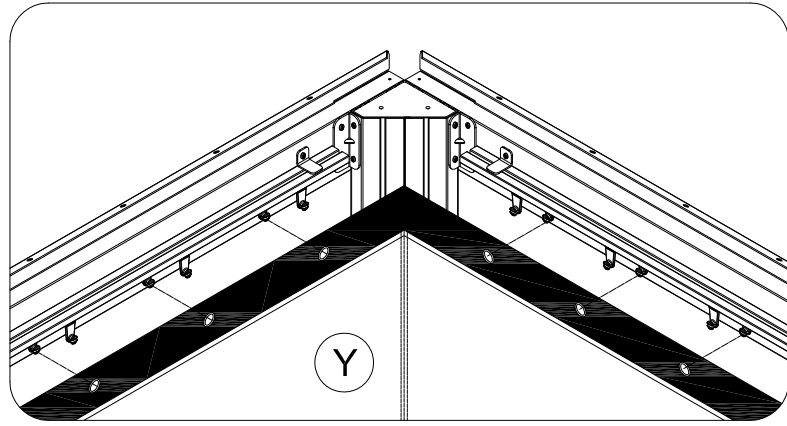
# Hang up Mosquito Sidewalls to Inside Track





Y 4x

# Hang up Solid Sidewalls to Outside Track





## Thanks for your purchase.

At domi outdoor living, we believe in our products.

That's why we provide a 12-month warranty and friendly, easy-to-reach after-sales service. So, if you have any questions about our product or assembly, please feel free to contact us. We are here for you.

**Support:**  

**After-sales contact email:**

[service@domioutdoorliving.com](mailto:service@domioutdoorliving.com)

**Business cooperation contact email:**

[marketing@domioutdoorliving.com](mailto:marketing@domioutdoorliving.com)

Please have your order ID available if you reach out for support.

If you have damaged parts or product, please send us photos for an immediate response.