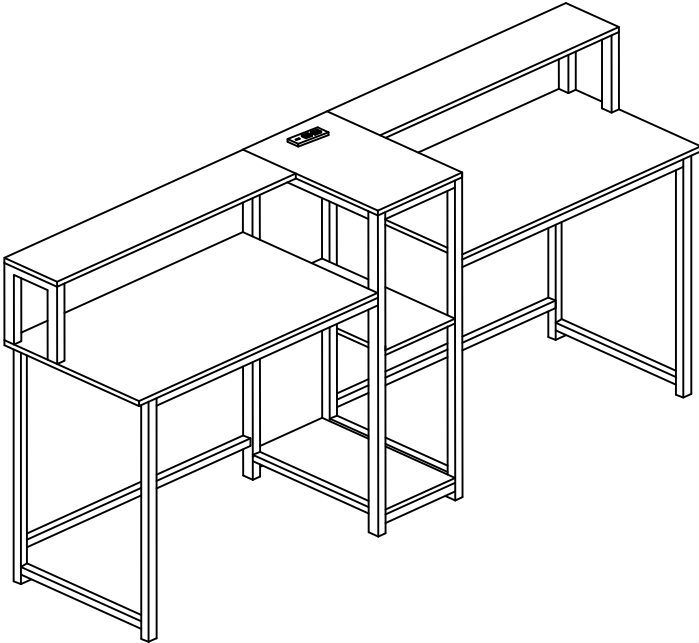
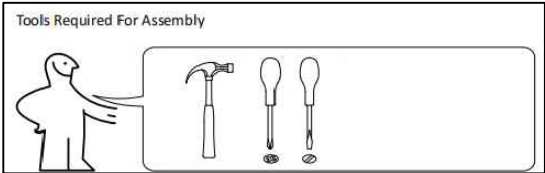
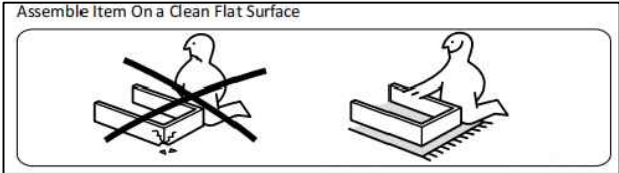






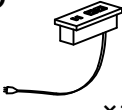

Instruction Manual



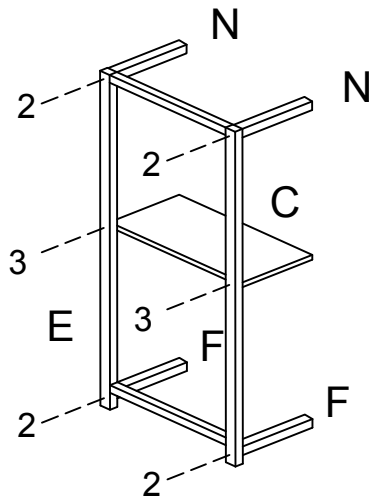
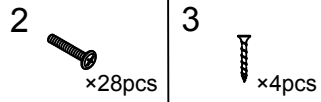
DEAR CUSTOMER,
 Thank you for choosing our product. Please read this manual carefully before assembling. If the product is passed on to the third party, this manual has to be passed on along with the product. Enjoy your new purchase!



HARDWARE LIST

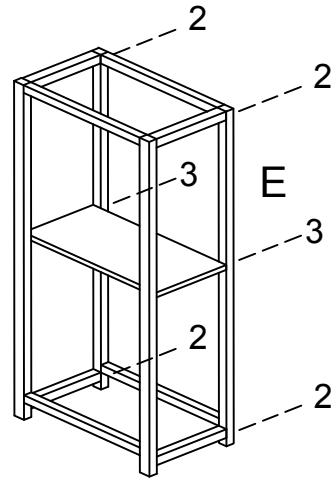
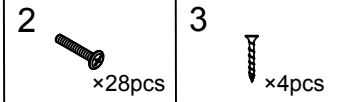
1  ×20pcs	2  ×28pcs	3  ×4pcs	4  ×2pcs	5  ×1pcs	6  ×2pcs
---	---	--	--	--	--

Step:1



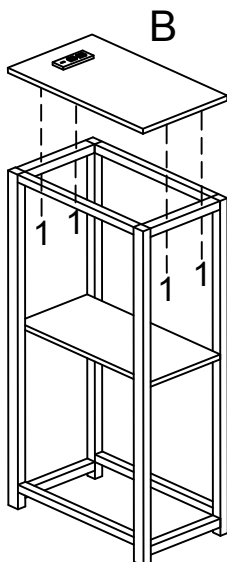
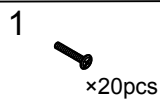
Connect square tube E,F,N and panel C .

Step:2



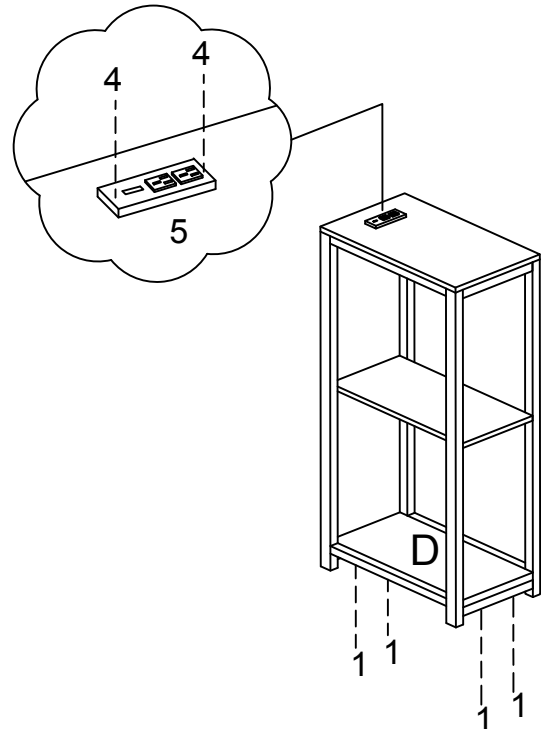
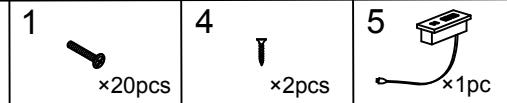
Connect square tube E.

Step:3



Install panel B through fitting 1 .

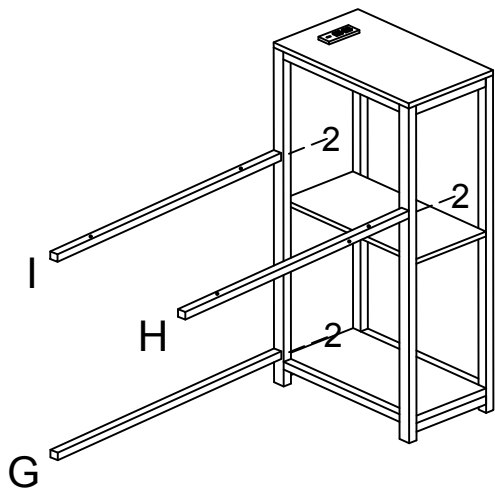
Step:4



Install panel D through fitting 1 .

Step:5

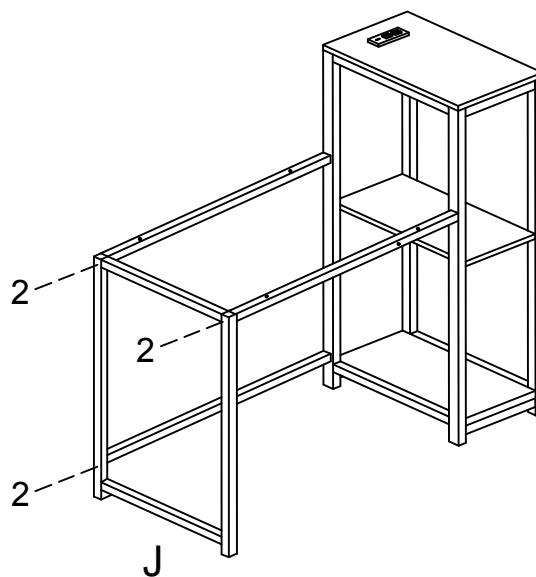
2
×28pcs



Connect square tube H,I and G .

Step:6

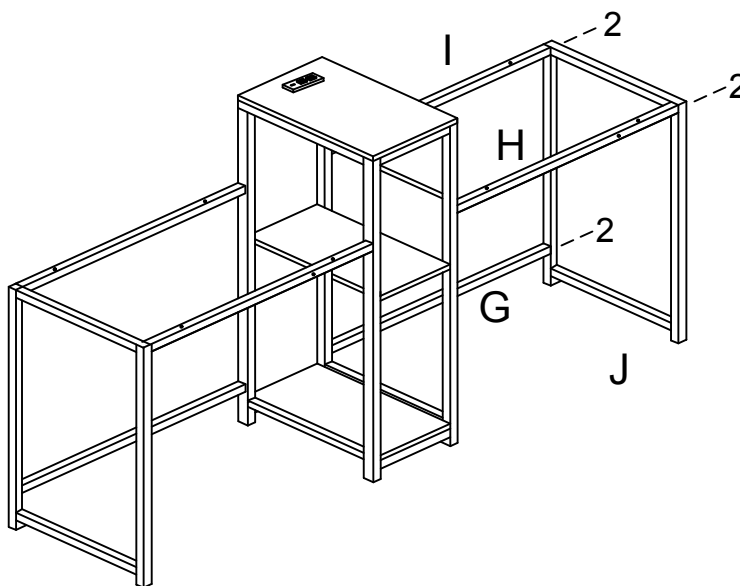
2
×28pcs



Connect square tube J .

Step:7

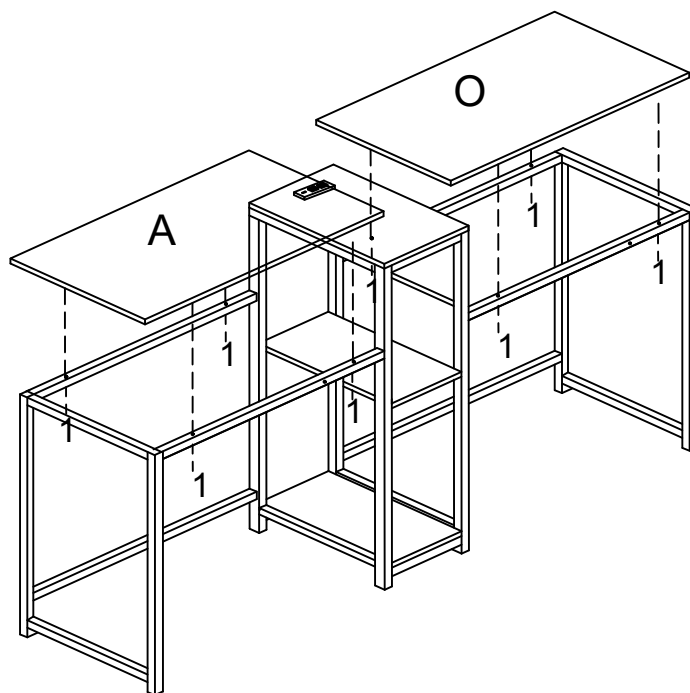
2
×28pcs



Connect square tube H,I ,G and J .

Step:8

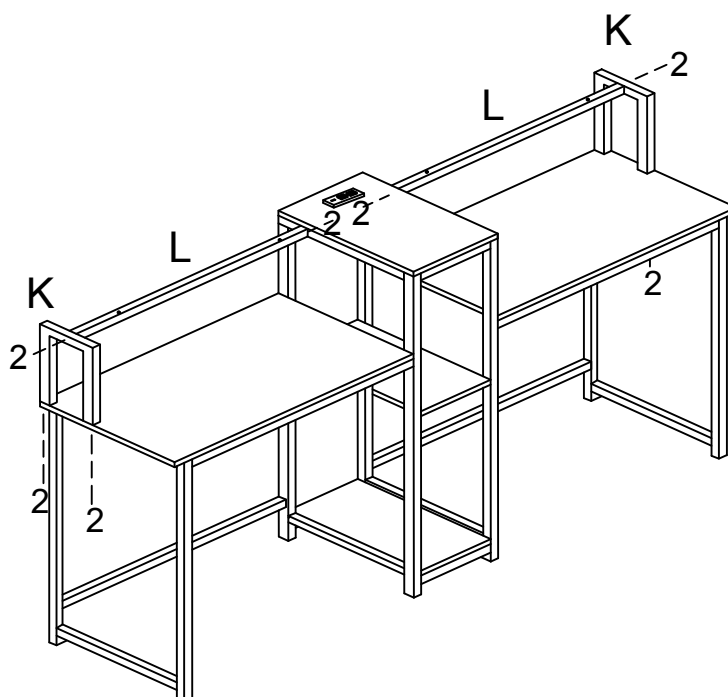
1
×20pcs



Install panel A,O through fitting 1 .

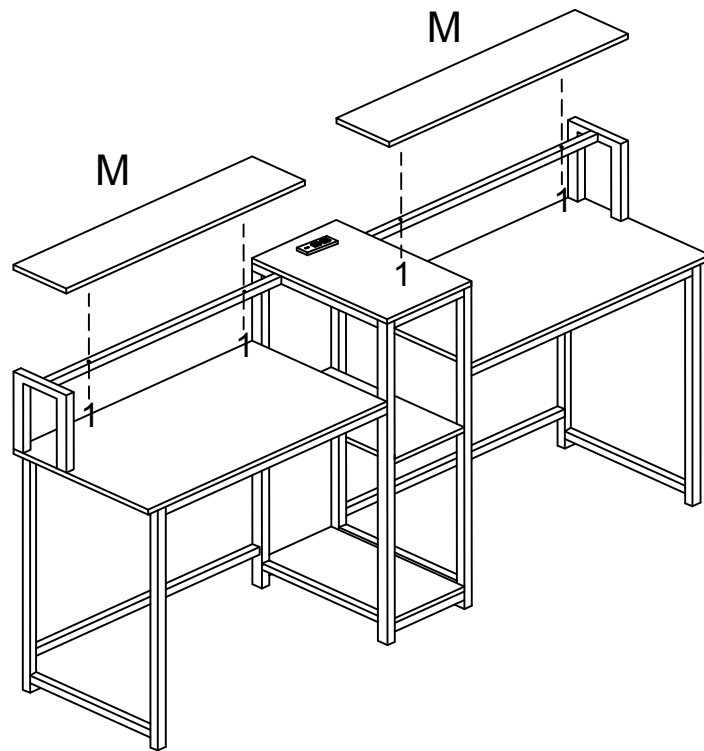
Step:9

2
×28pcs



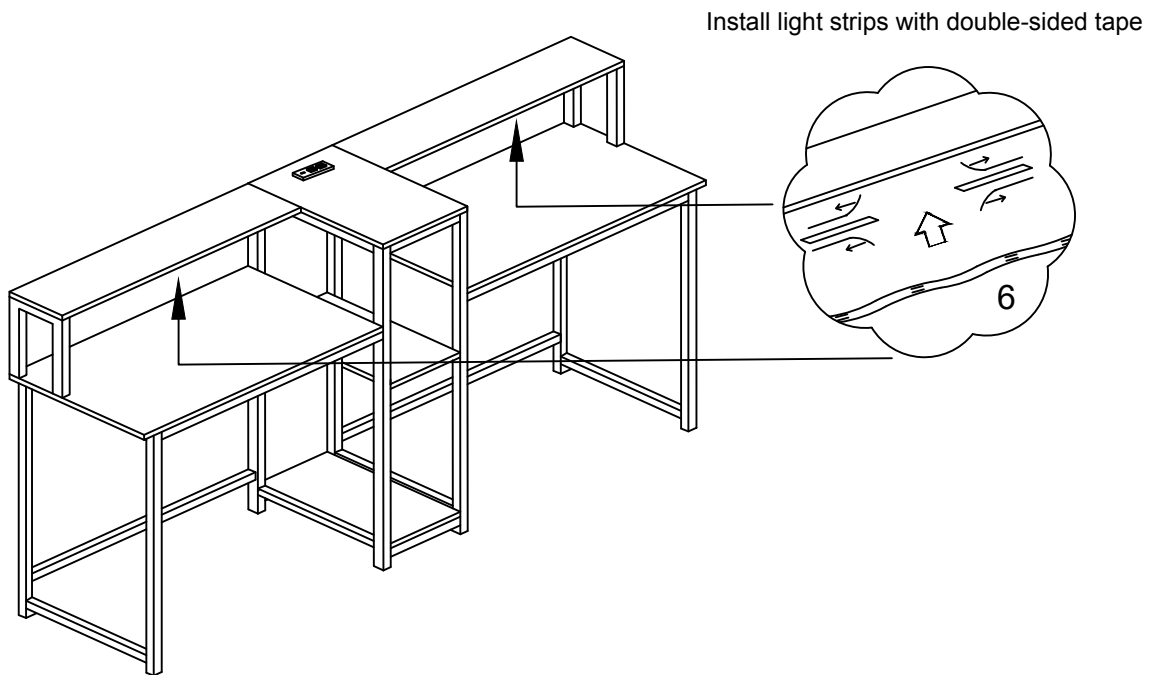
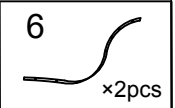
Connect square tube K and L.

Step:10

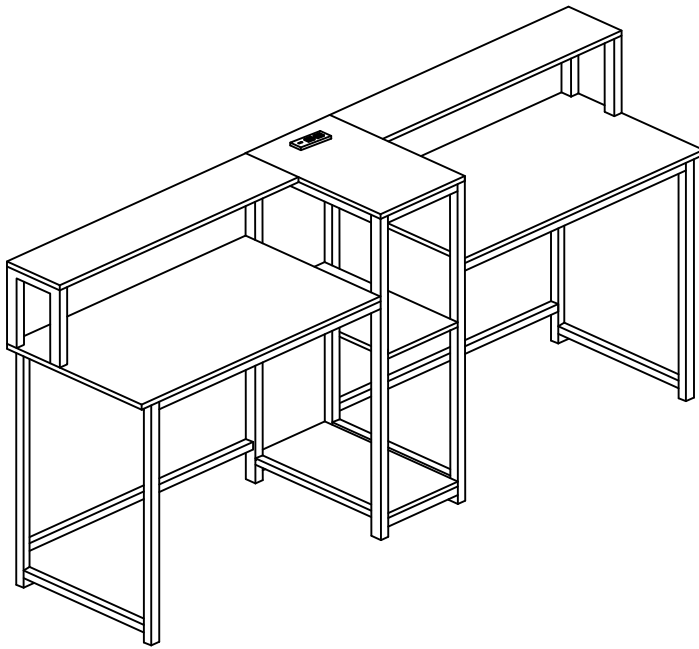


Install panel M through fitting 1 .

Step:11



Step:12 Installation Complete !



Install light strips with double-sided tape

Can be installed 90 degrees
and 180 degrees two ways.

