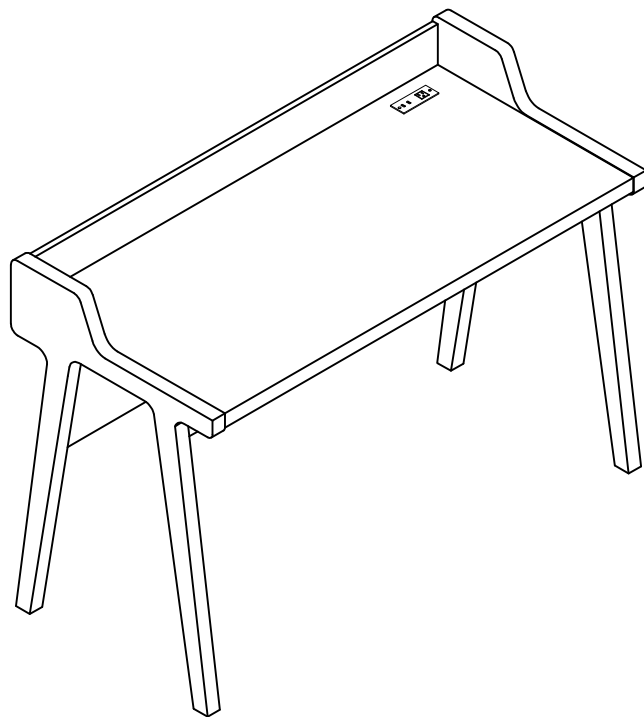


ASSEMBLY INSTRUCTIONS



J J

805781
Writing Desk

ITEM:805781

ASSEMBLY INSTRUCTIONS

ASSEMBLY TIPS:

- 1.Remove hardware from box and sort by size.
- 2.Please check to see that all hardware and parts are present prior to start of assembly.
- 3.Please follow attached instructions in the same sequence as numbered to assure fast & easy assembly.

⚠ Warning !!

1. Don't attempt to repair or modify parts that are broken or defective. Please contact the store immediately.
2. This product is for home use only and not intended for commercial establishment.

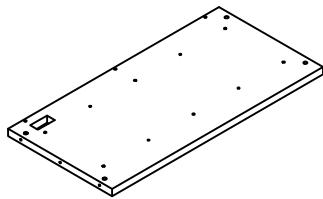


ASSEMBLY TIME

30 MINUTES

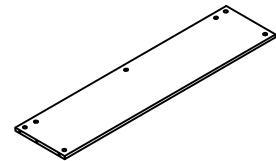
PARTS IDENTIFICATION

A TOP



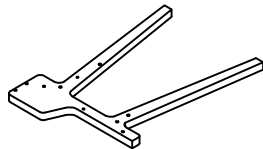
1 PC

D BACK PANEL



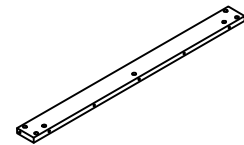
1 PC

B LEFT LEG



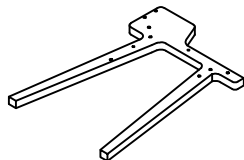
1 PC

E FRONT
CROSSBAR



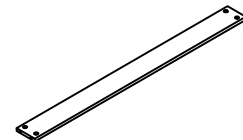
1 PC

C RIGHT LEG



1 PC

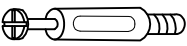
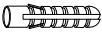




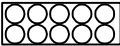
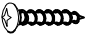
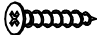




F REAR
CROSSBAR



1 PC

ITEM:805781

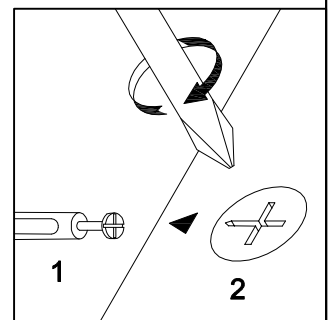
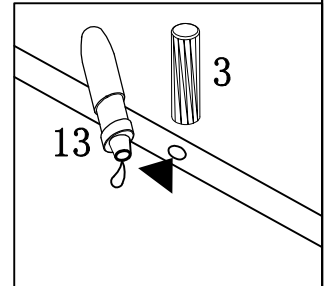
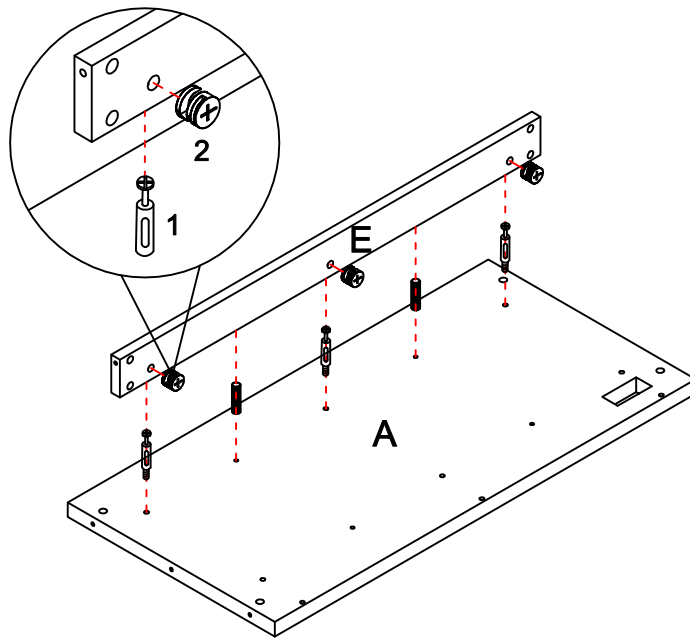
HARDWARE IDENTIFICATION

1	CAM BOLT L=29mm		22pcs	8	PLASTIC ANCHOR Ø8x40mm		1pc
2	CAM LOCK Ø15mm		22pcs	9	BRACKET 12x12x1mm		2pcs
3	DOWEL Ø8x25mm		10pcs	10	WALL SCREW Ø5x40mm		1pc
4	STICKER Ø22mm		11pcs	11	MIDDLE SCREW Ø4x25mm		1pc
5	LARGE SCREW Ø4x50mm		3pcs	12	THE RESTRAINT STRAP 197x5x1mm		1pc
6	USB SOCKET 125x50x45mm		1pc	13	GLUE		1pc
7	SMALL SCREW Ø3.5x16mm		2pcs				

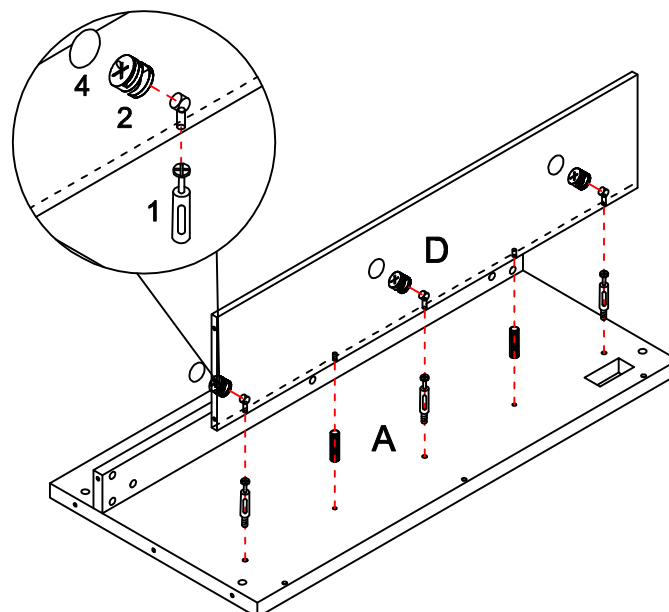
ITEM: 805781

ASSEMBLY INSTRUCTIONS

STEP 1



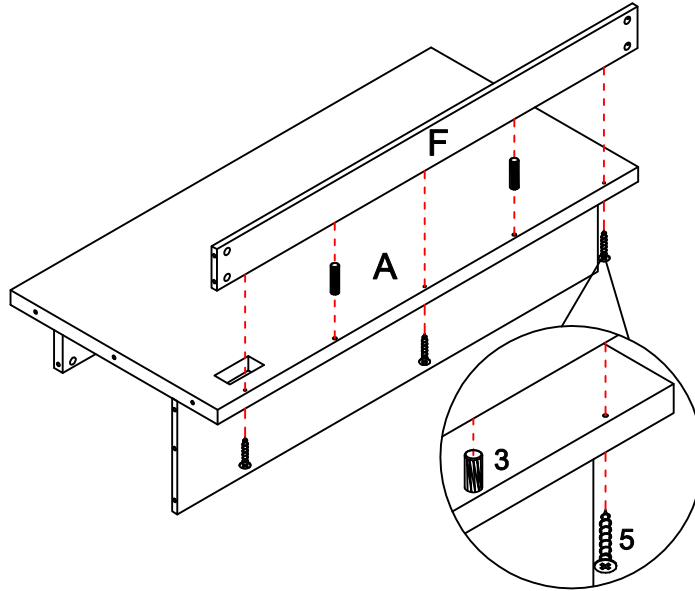
STEP 2



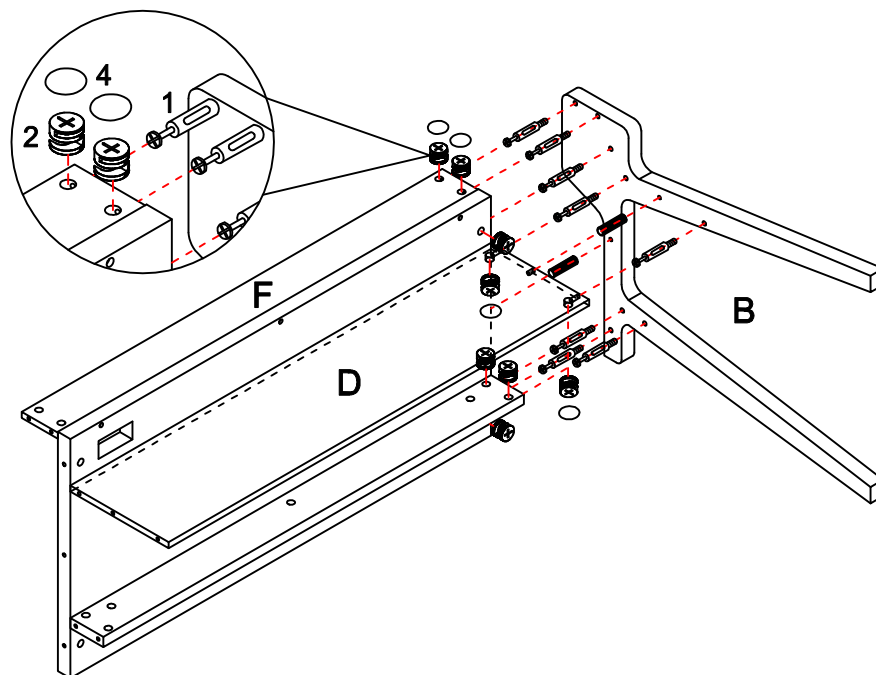
ITEM: 805781

ASSEMBLY INSTRUCTIONS

STEP 3



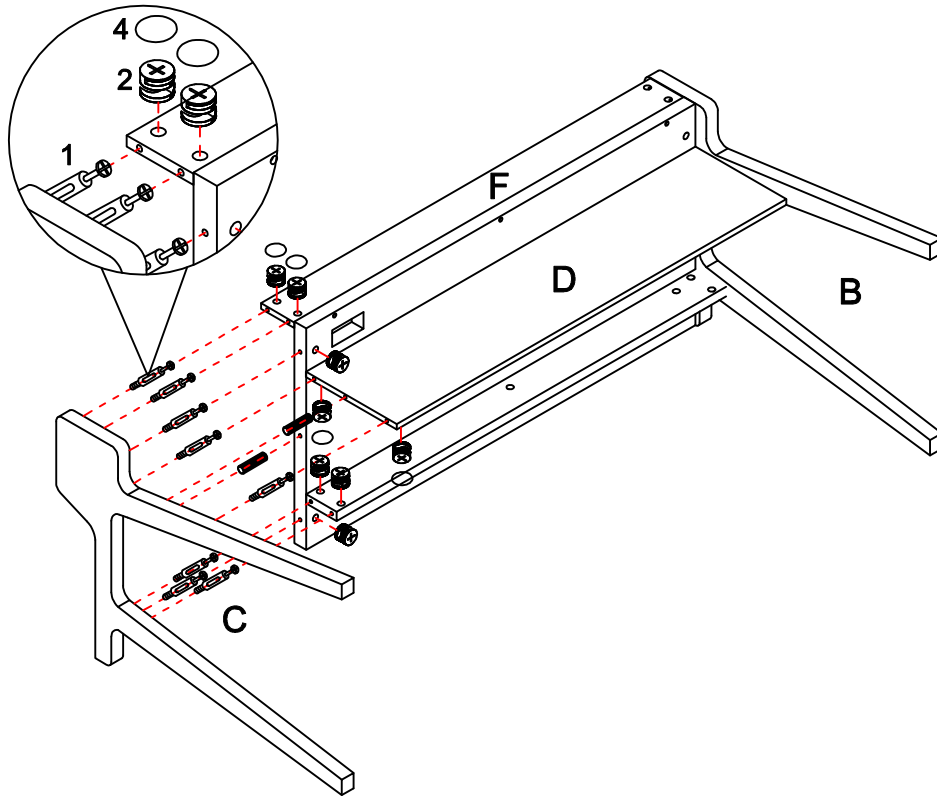
STEP 4



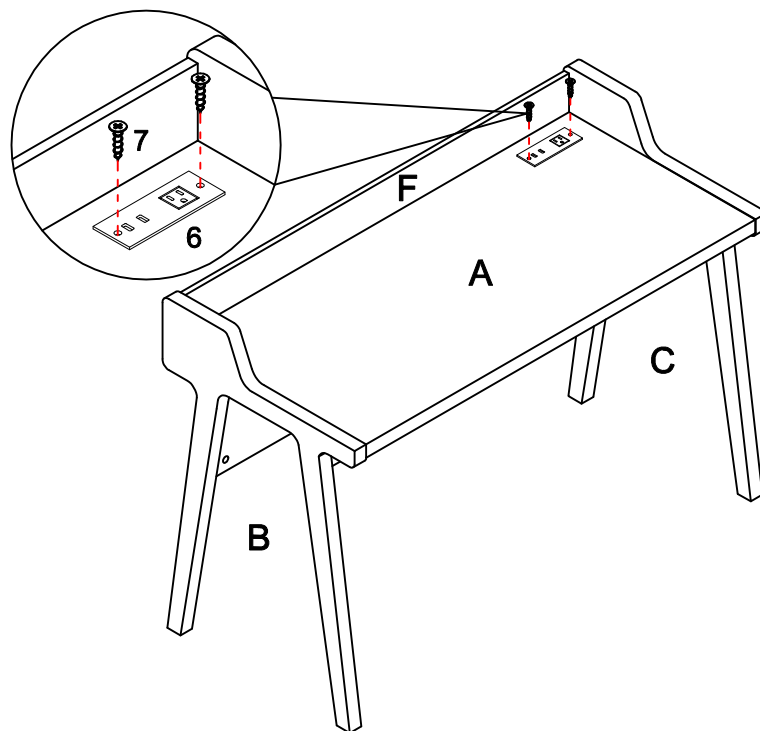
ITEM: 805781

ASSEMBLY INSTRUCTIONS

STEP 5



STEP 6



ITEM:805781

ANTI-TIPPING INSTALLMENT INSTRUCTIONS

FURNITURE TIPPING RESTRAINT

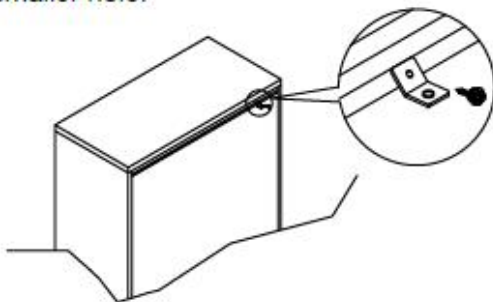
WARNING

Injury may result from tipping furniture.
This restraint may protect against tipping furniture.
Do not allow children to climb on furniture.
This restraint is not a substitute for proper adult supervision.
Failure to detach this restraint before moving the furniture may result in injury and damage.

This tip restraint must be attached to a wall stud using long screw enclosed.

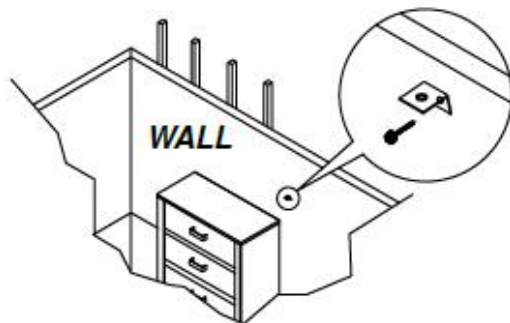
STEP 1

Attach a bracket securely to the back top rail to the furniture using short screw provided, through the smaller hole.



STEP 2

Locate the other bracket on the wall over a wall stud and two inches below the mounting bracket secured to the back of the furniture. Attach the wall stud using the long screw provided, through the smaller hole.



STEP 3

Place the furniture into position so both mounting brackets are vertically in line. Lace the end of the restraint strap through the larger hole in each mounting bracket. Bring both ends together and slide the flat end through the locking and draw it until all slack is removed. Confirm that the strap is securely laced and locked.

