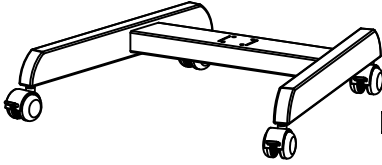
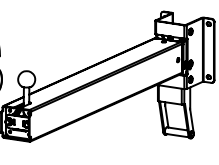
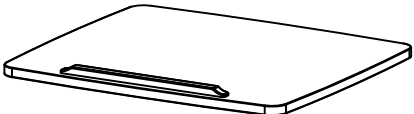

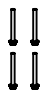

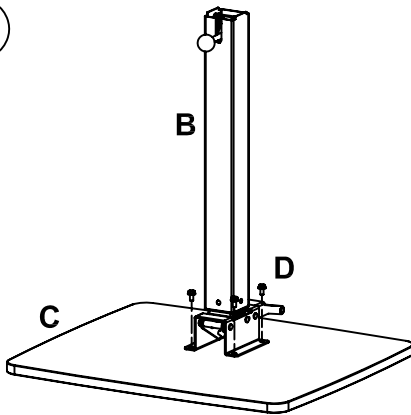


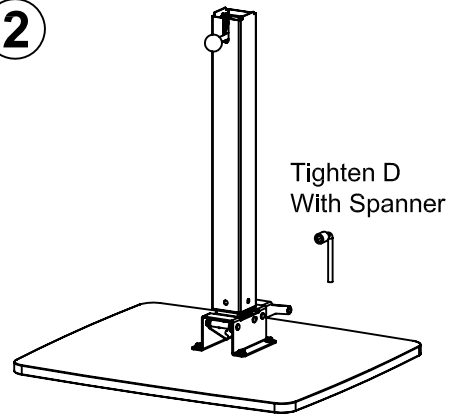
Assembly Instructions

Parts List					Tools
					
A X1	B X1	C X1	D X4	E X4	

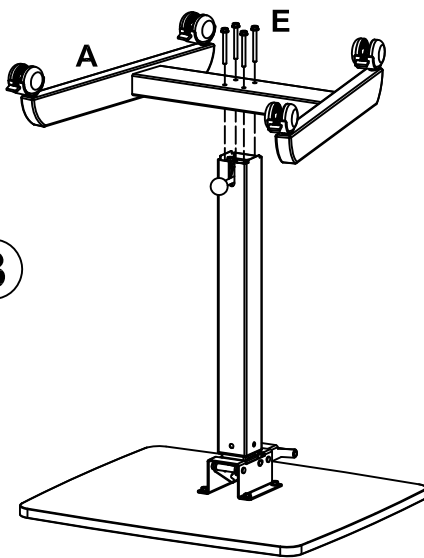
1



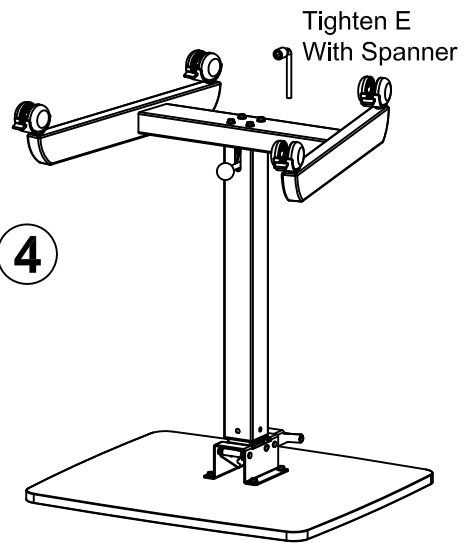
2



3



4



5

