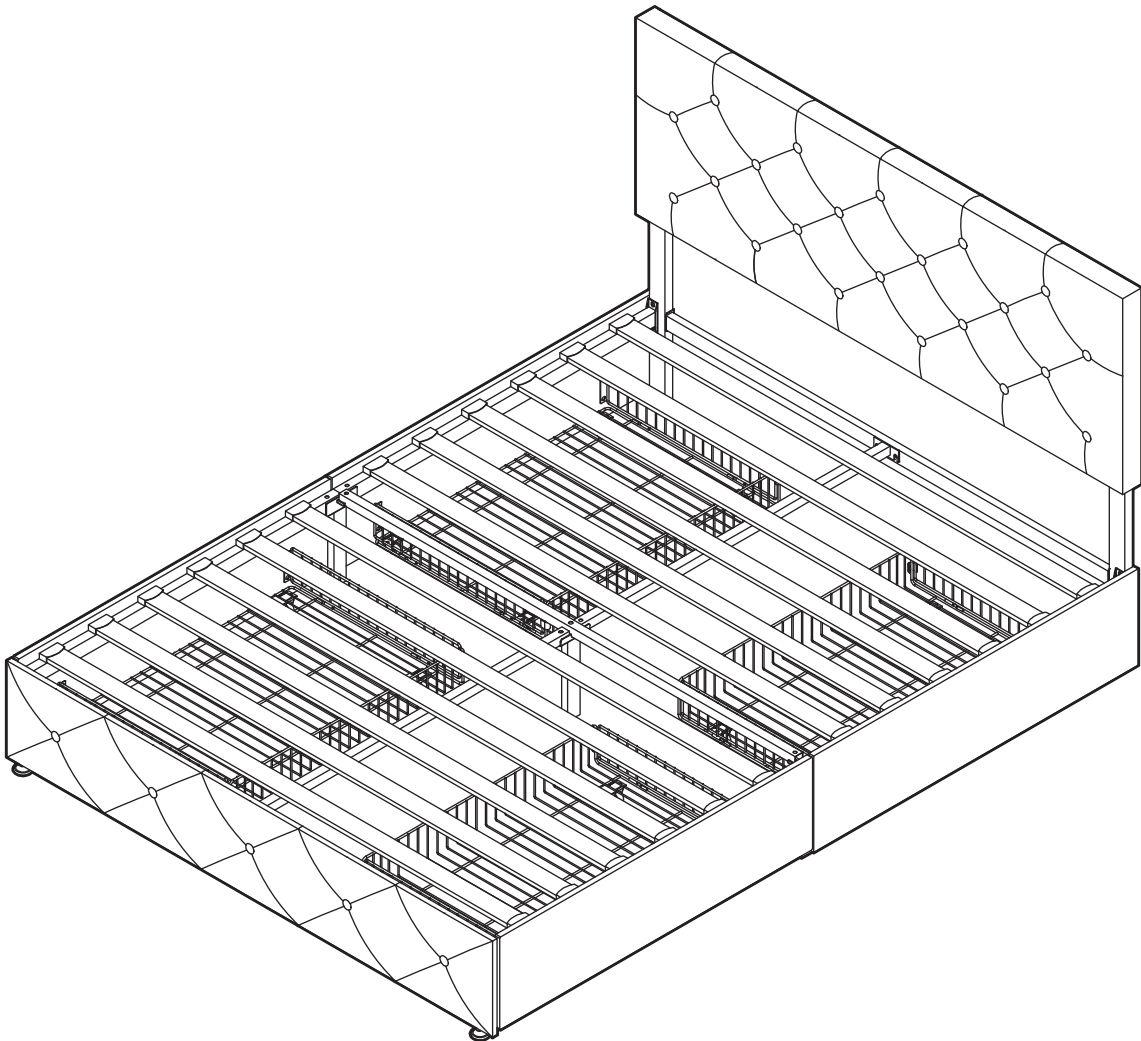


PLATFORM BED

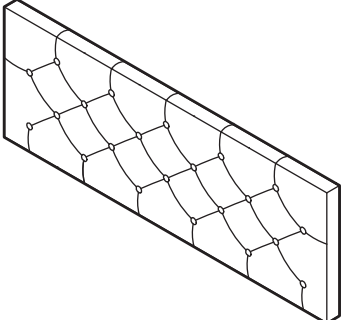
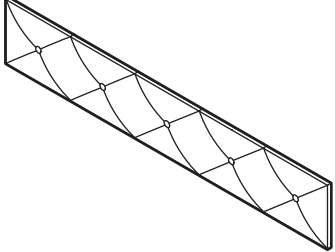
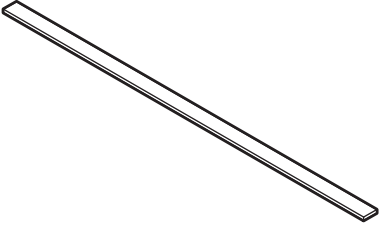
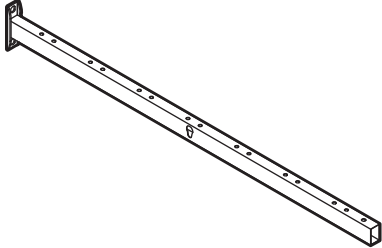
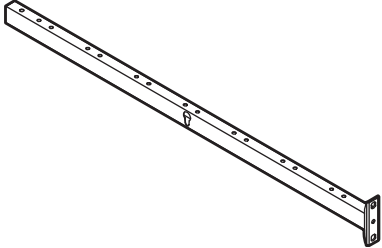
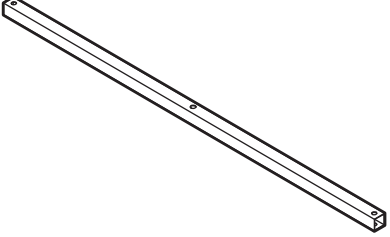
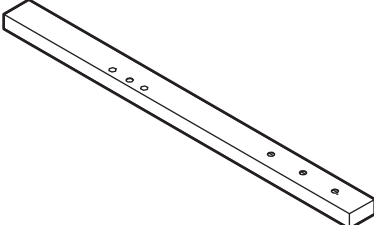
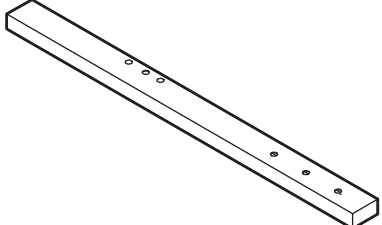
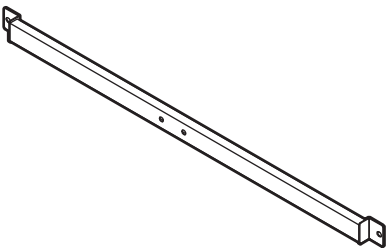
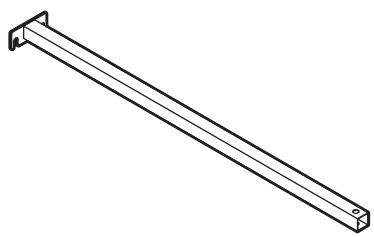
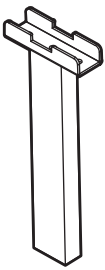
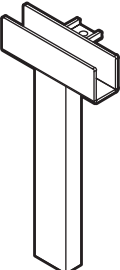
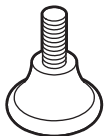
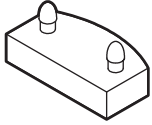
ORIGINAL INSTRUCTION MANUAL

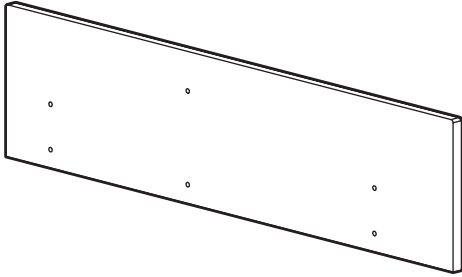
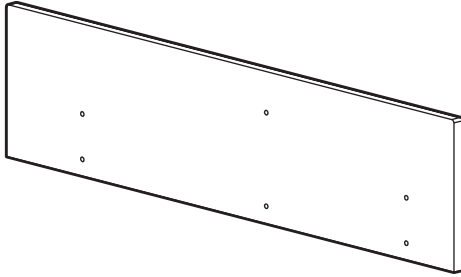
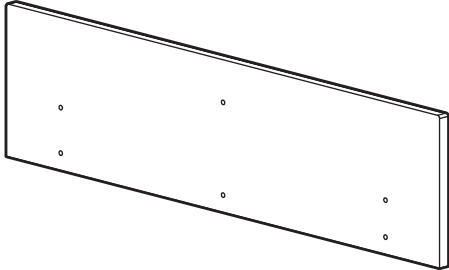
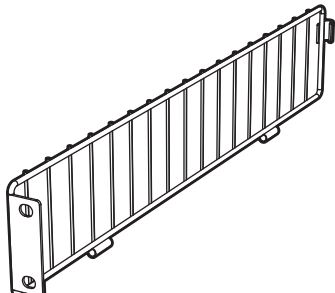
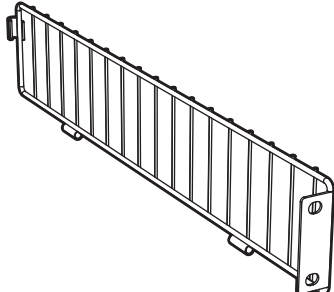
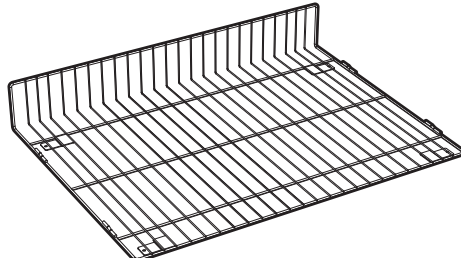
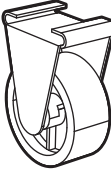
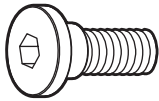
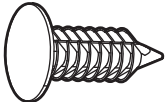
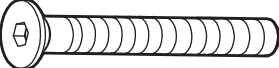
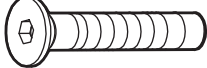
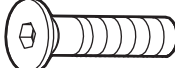
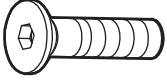




DEAR CUSTOMER,

Thank you for choosing our product. Please read this manual carefully before assembling or using the product, to avoid damage caused by improper use. If the product is passed on to third parties, this manual has to be passed on along with the product. For any question don't hesitate to contact us.

PARTS LIST

<p>A</p>  <p>1x</p>	<p>B</p>  <p>1x</p>	
<p>C</p>  <p>12x</p>	<p>D1</p>  <p>2x</p>	<p>D2</p>  <p>2x</p>
<p>E</p>  <p>1x</p>	<p>F1</p>  <p>1x</p>	<p>F2</p>  <p>1x</p>
<p>G</p>  <p>1x</p>	<p>H</p>  <p>2x</p>	<p>I</p>  <p>1x</p>
<p>J</p>  <p>2x</p>	<p>K</p>  <p>2x</p>	<p>L</p>  <p>24x</p>

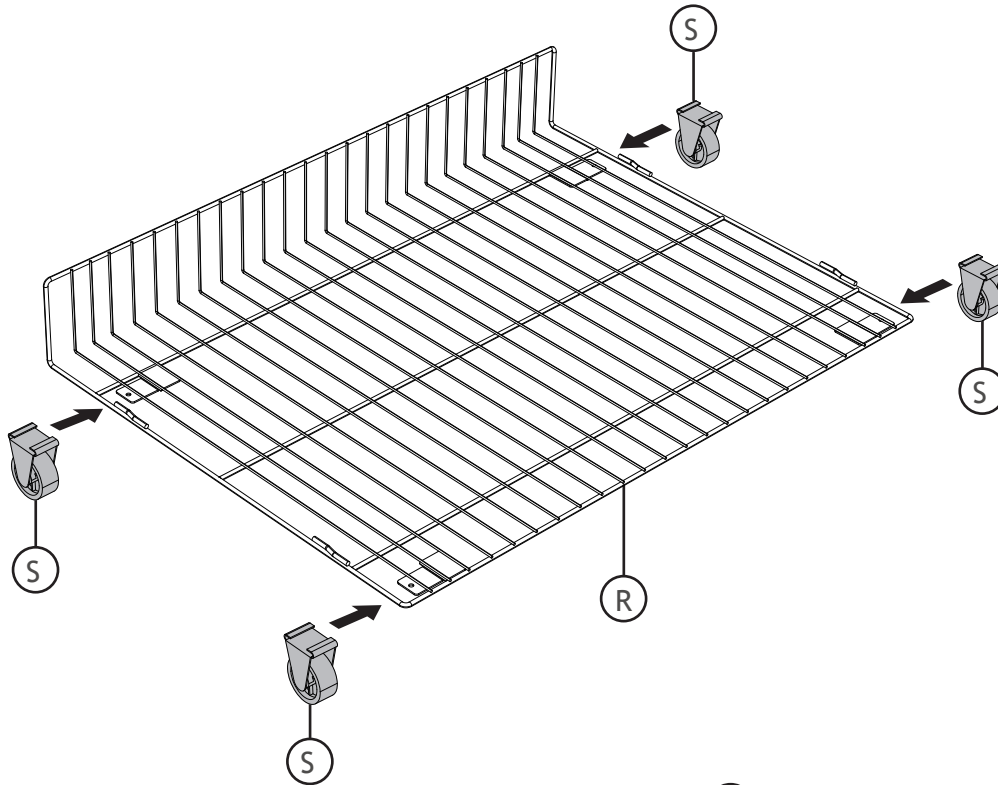
M	1×	N	1×		
					
O	2×	P	4×		
					
Q	4×	R	4×		
					
S	16×	V5	8×	V6	16×
					
		M8×12mm		15mm	
W1	11×	W2	4×	W3	4×
					
M8×50mm		M8×40mm		M8×25mm	
W4	24×	W8	19×	W9	1×
					
M8×16mm		φ22×φ8.5		M8 Spanner	

ASSEMBLY

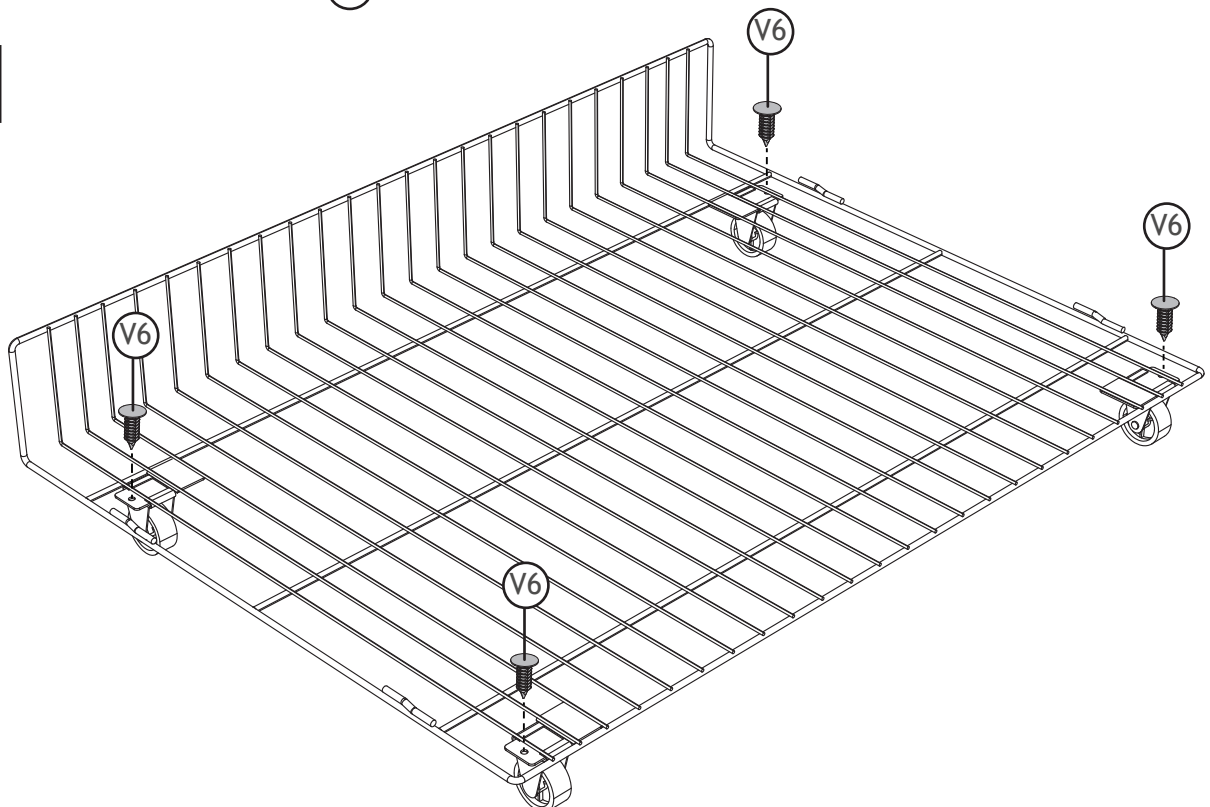
Before your installation, please make sure that you have all the parts listed on the manual. If you find something missing, stop installing and contact your supplier immediately.

NOTE: Please do not completely tighten all the hardware until the entire assembly is completed!

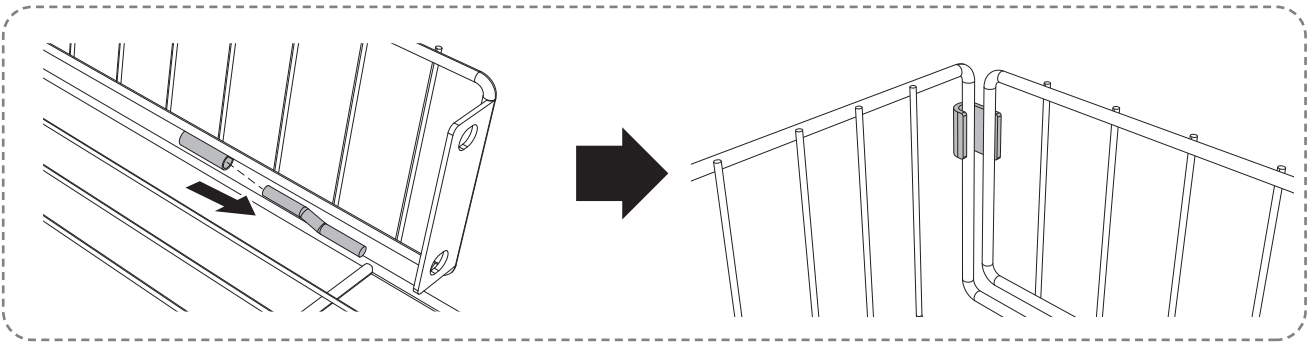
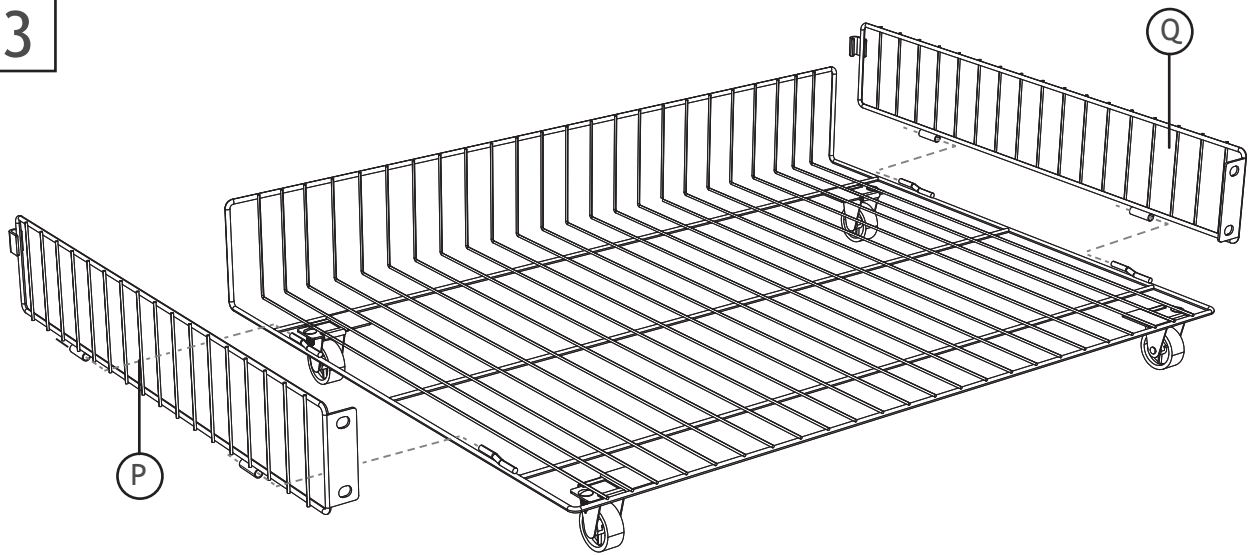
1



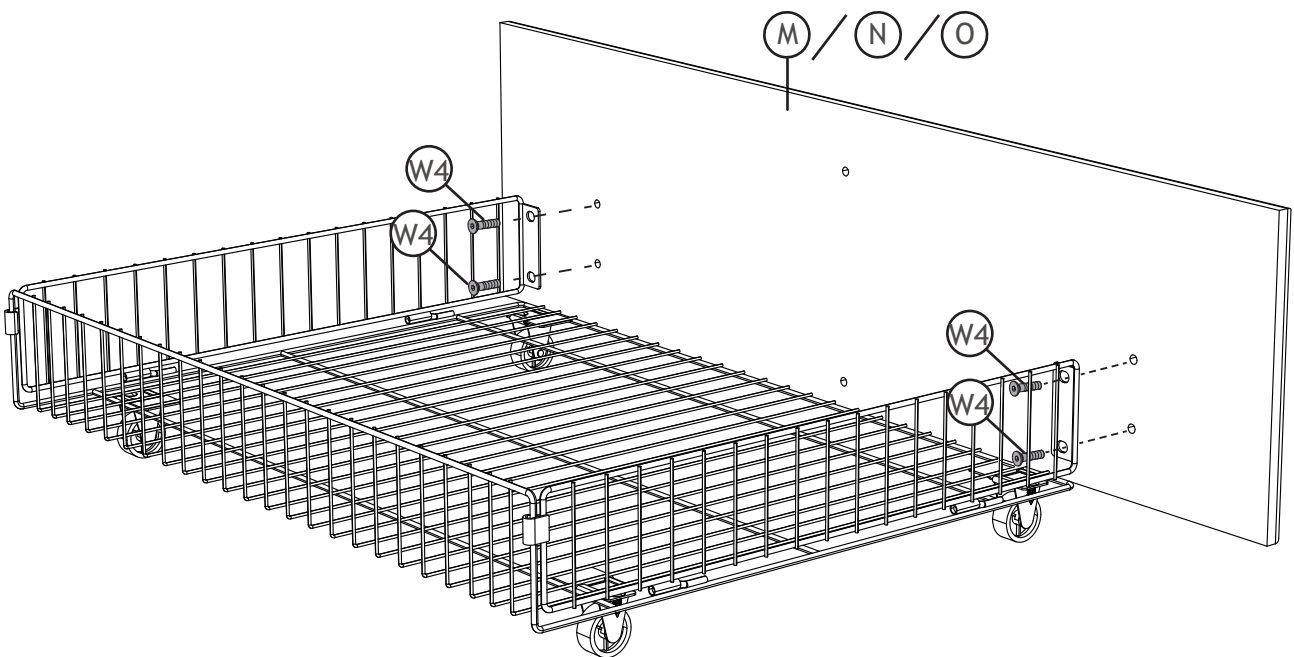
2



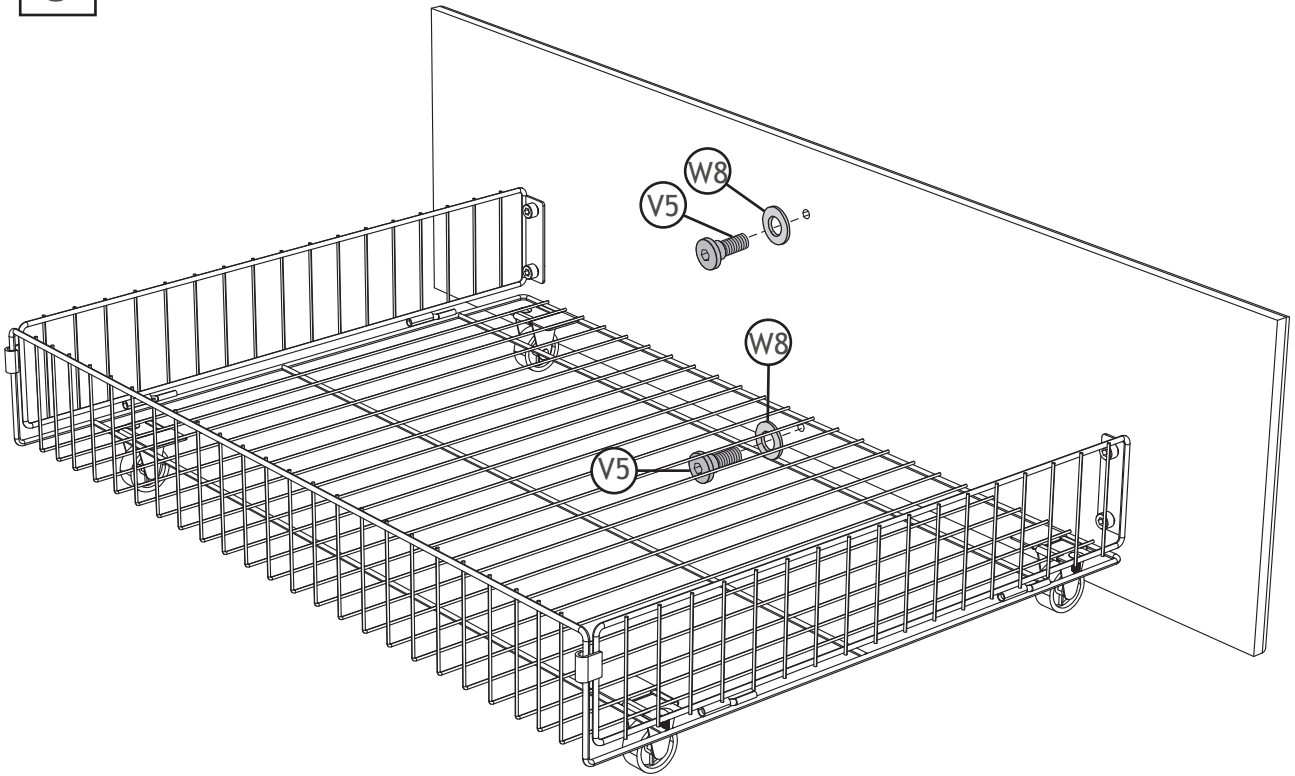
3



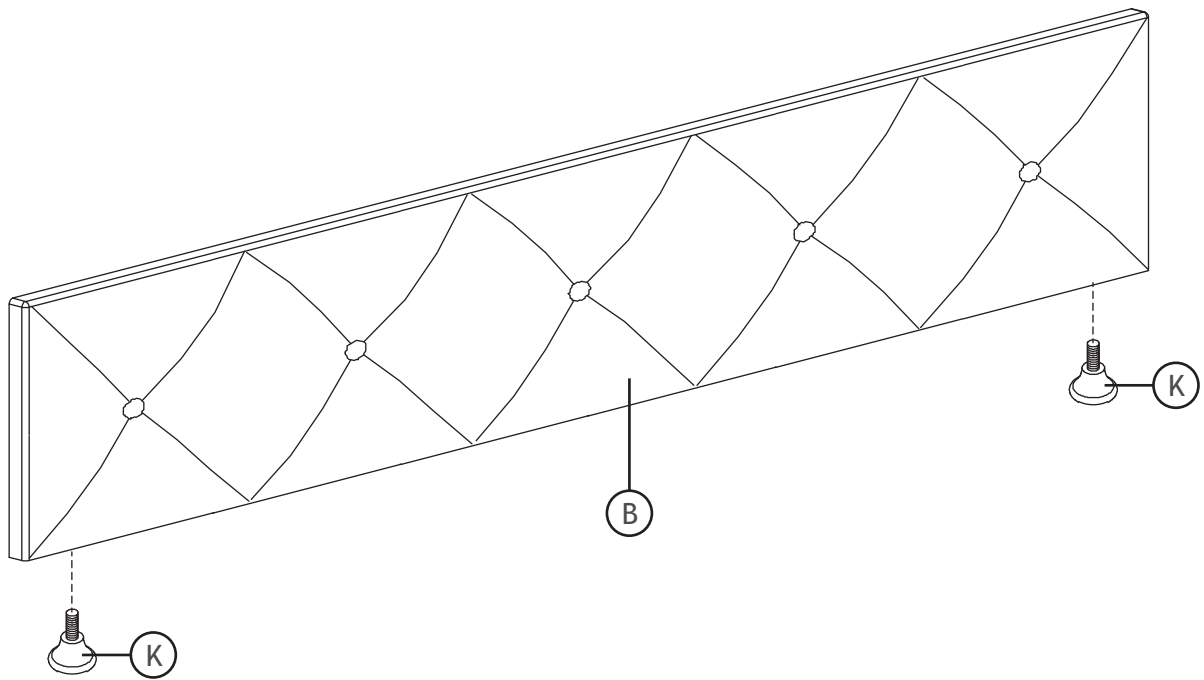
4



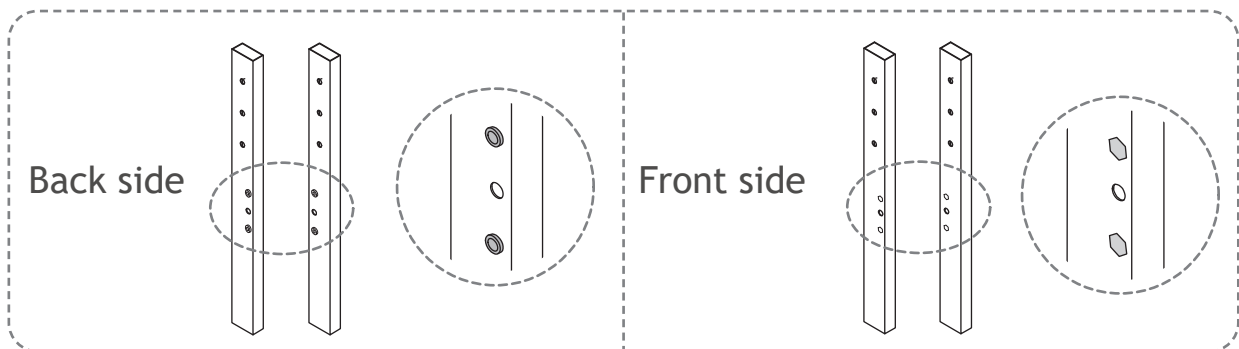
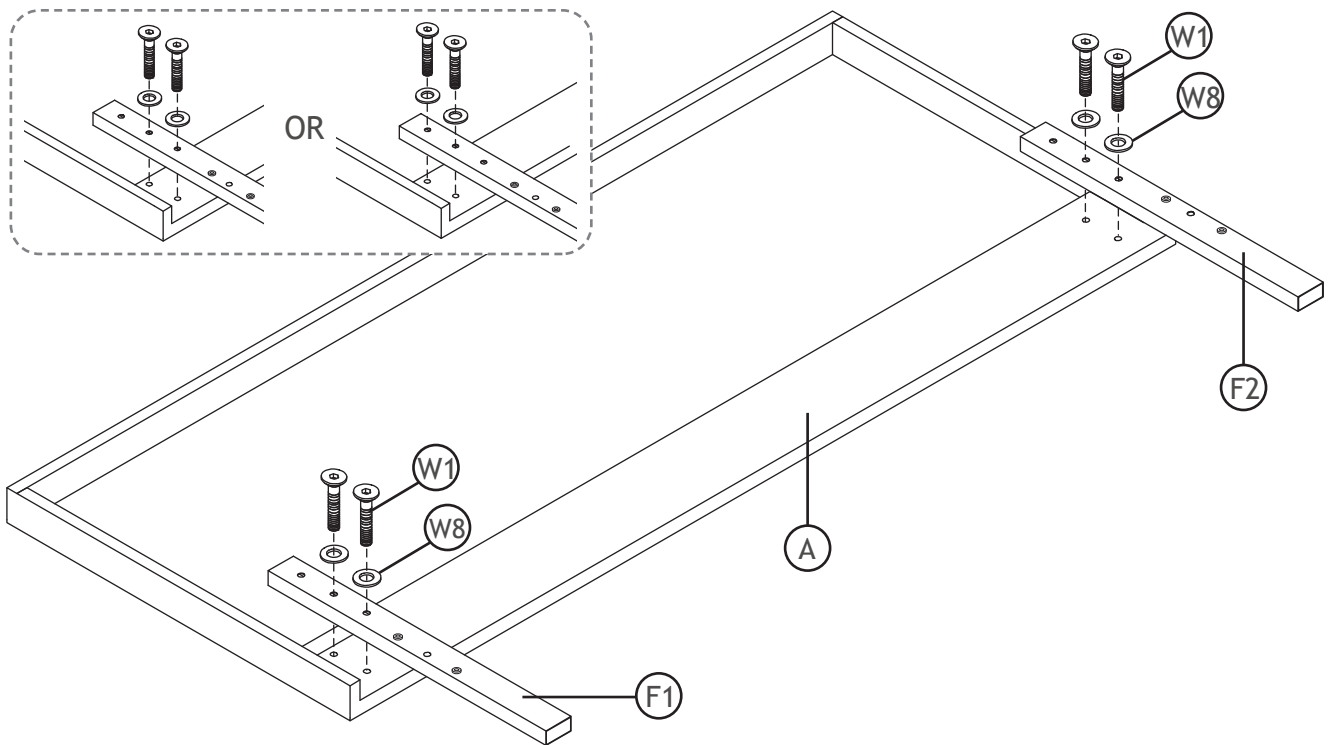
5



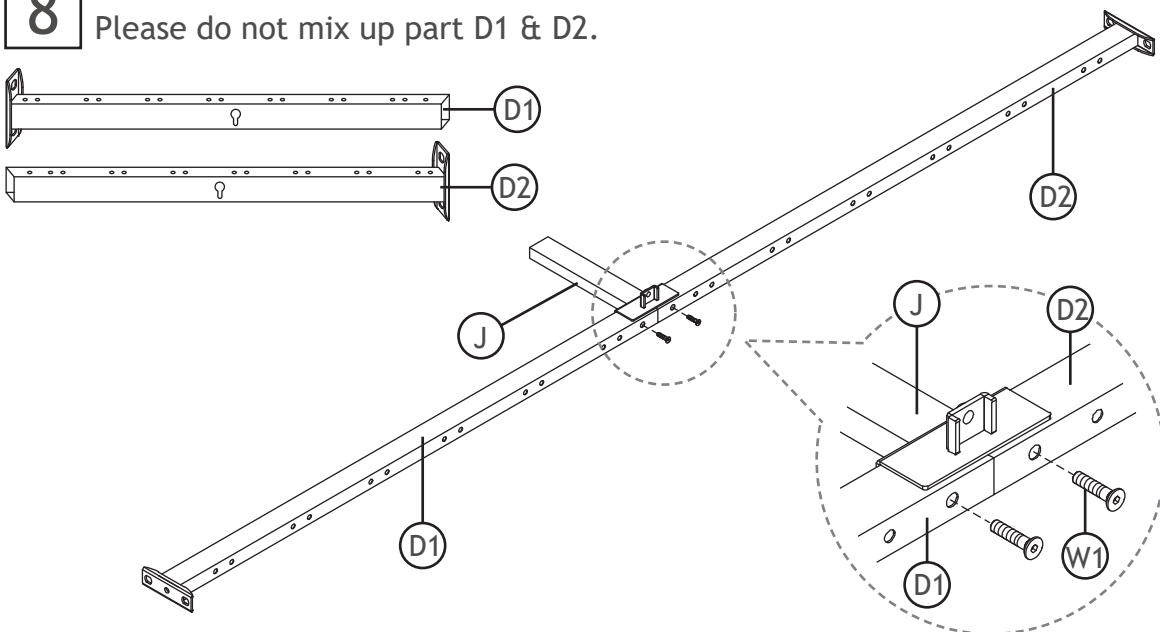
6



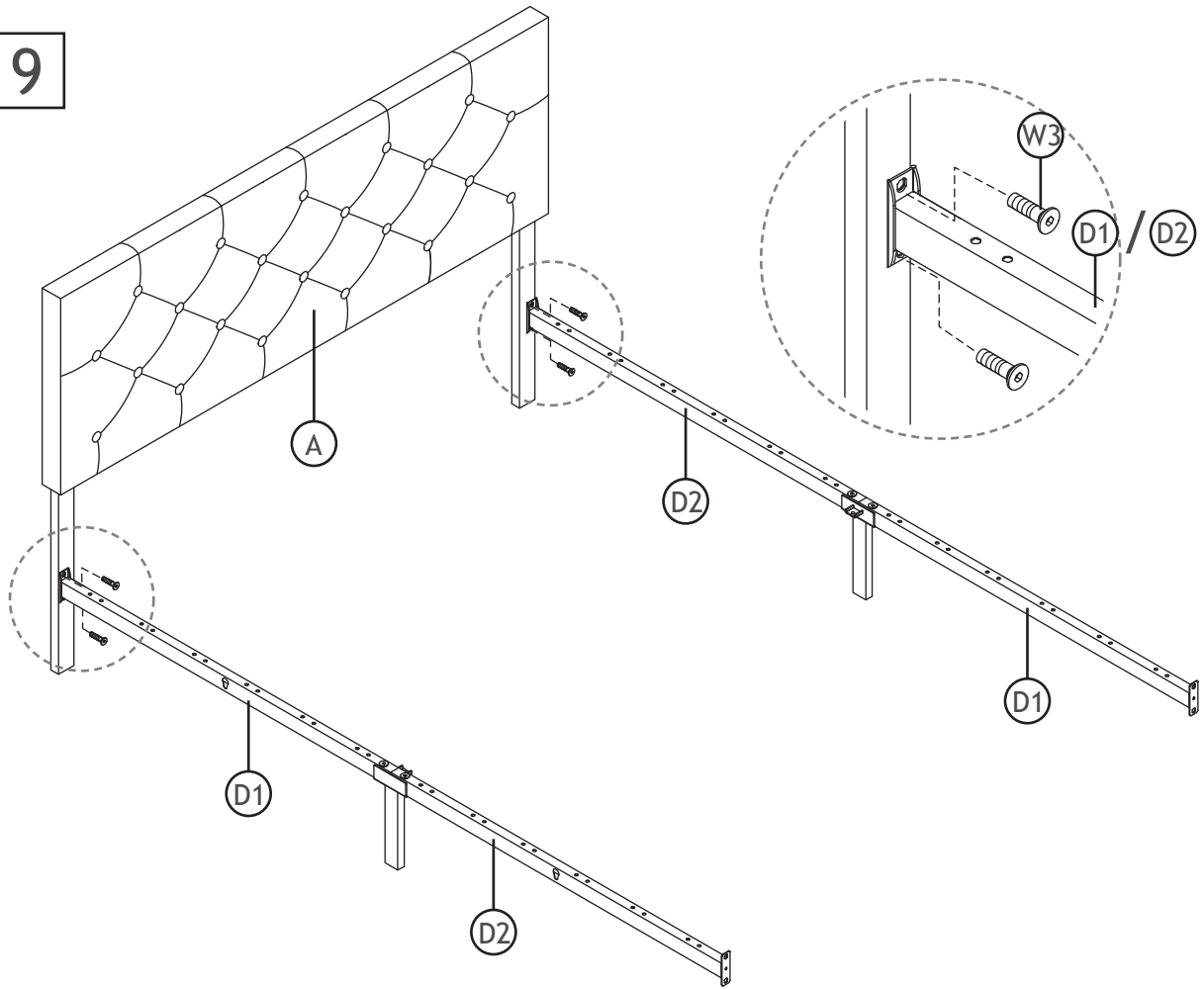
7 The headboard(A) can be adjusted up and down by fixing the position of screws on the back.



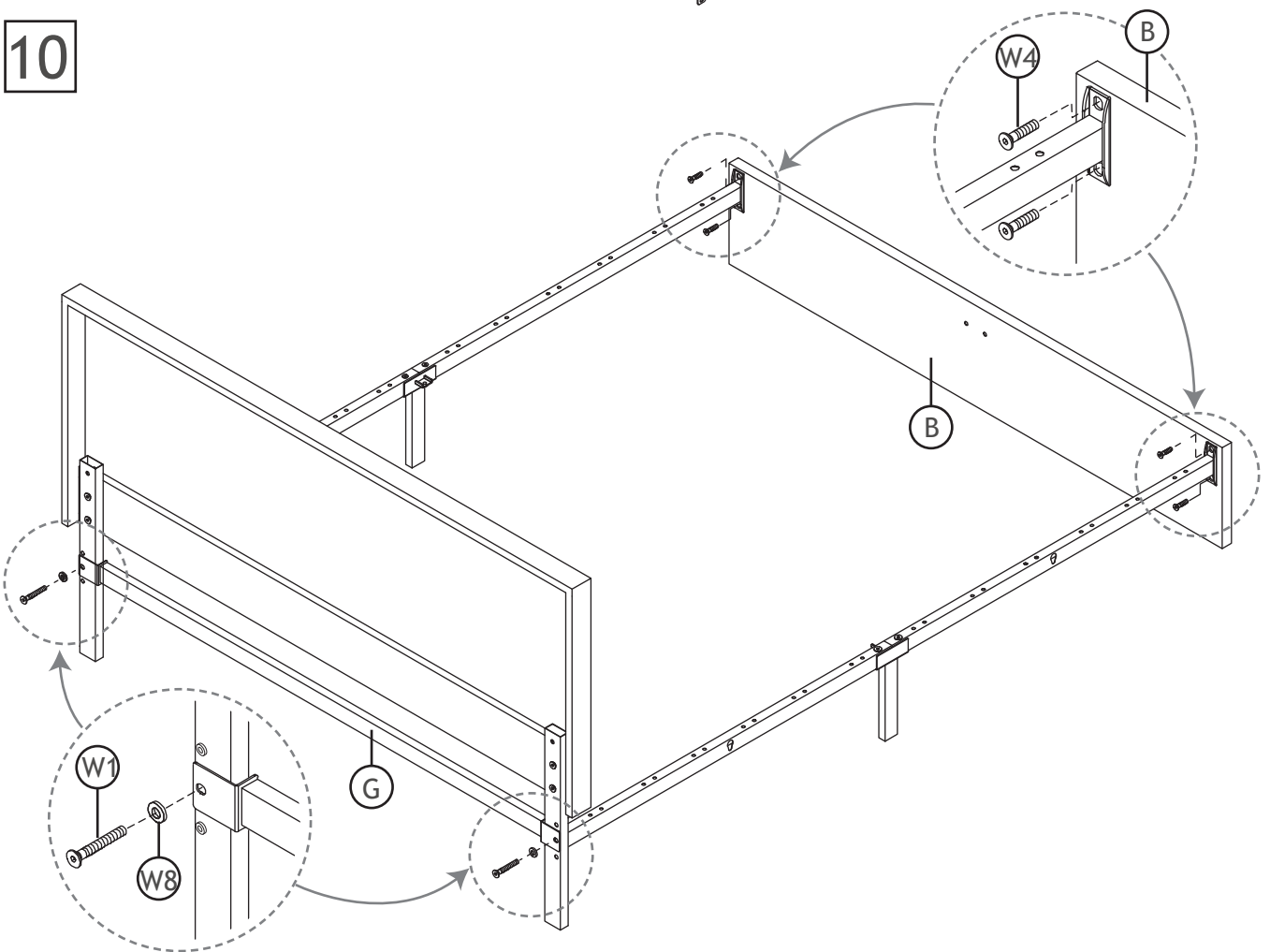
8 Please do not mix up part D1 & D2.



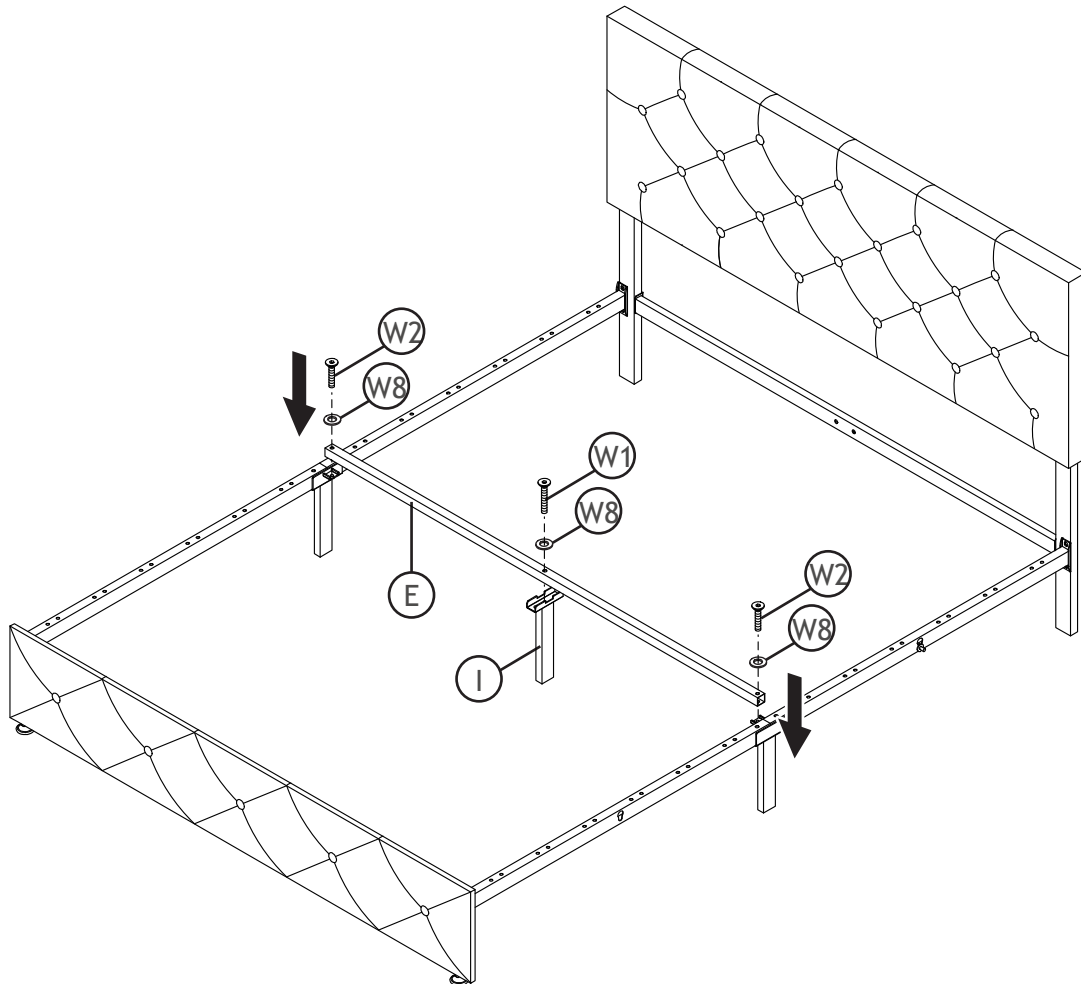
9



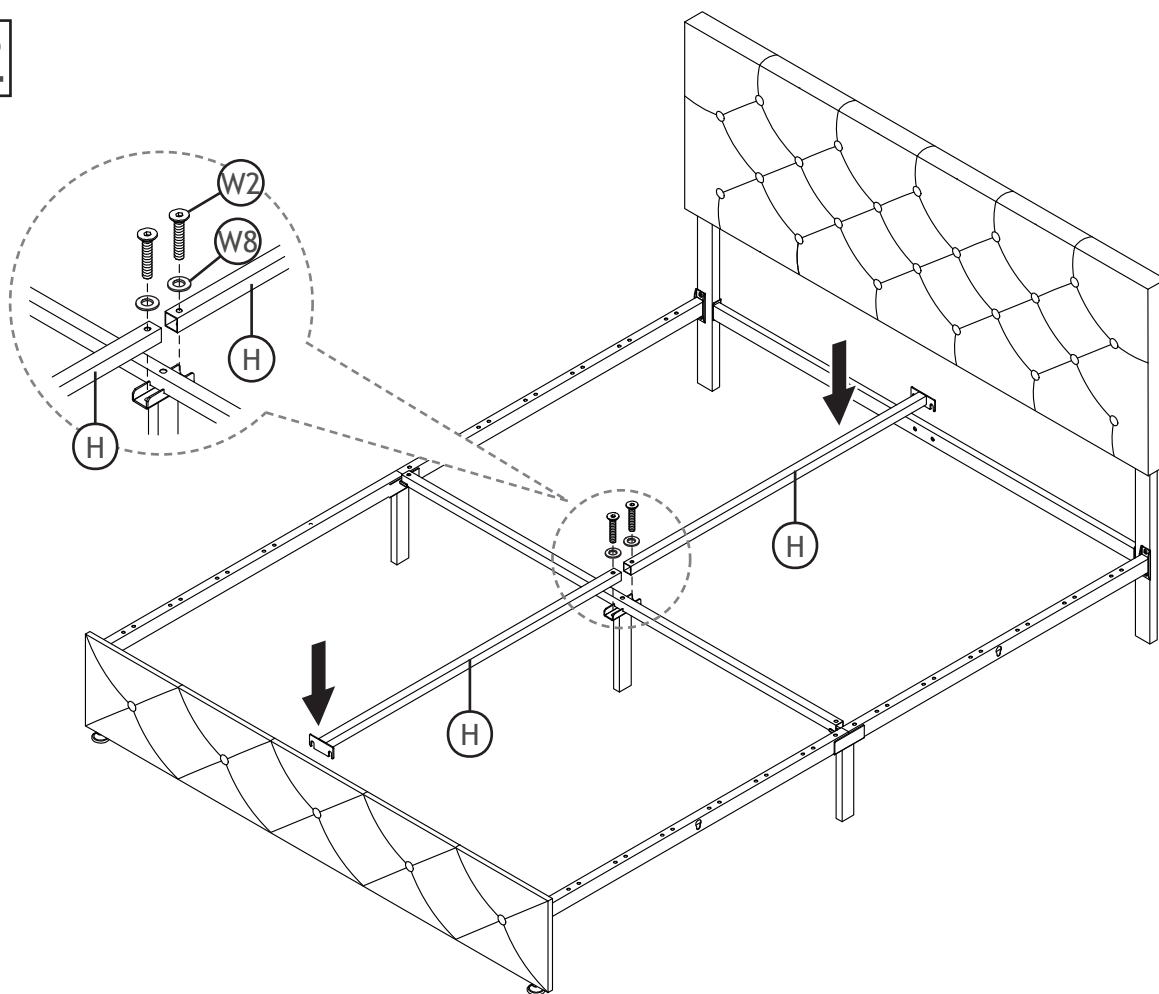
10



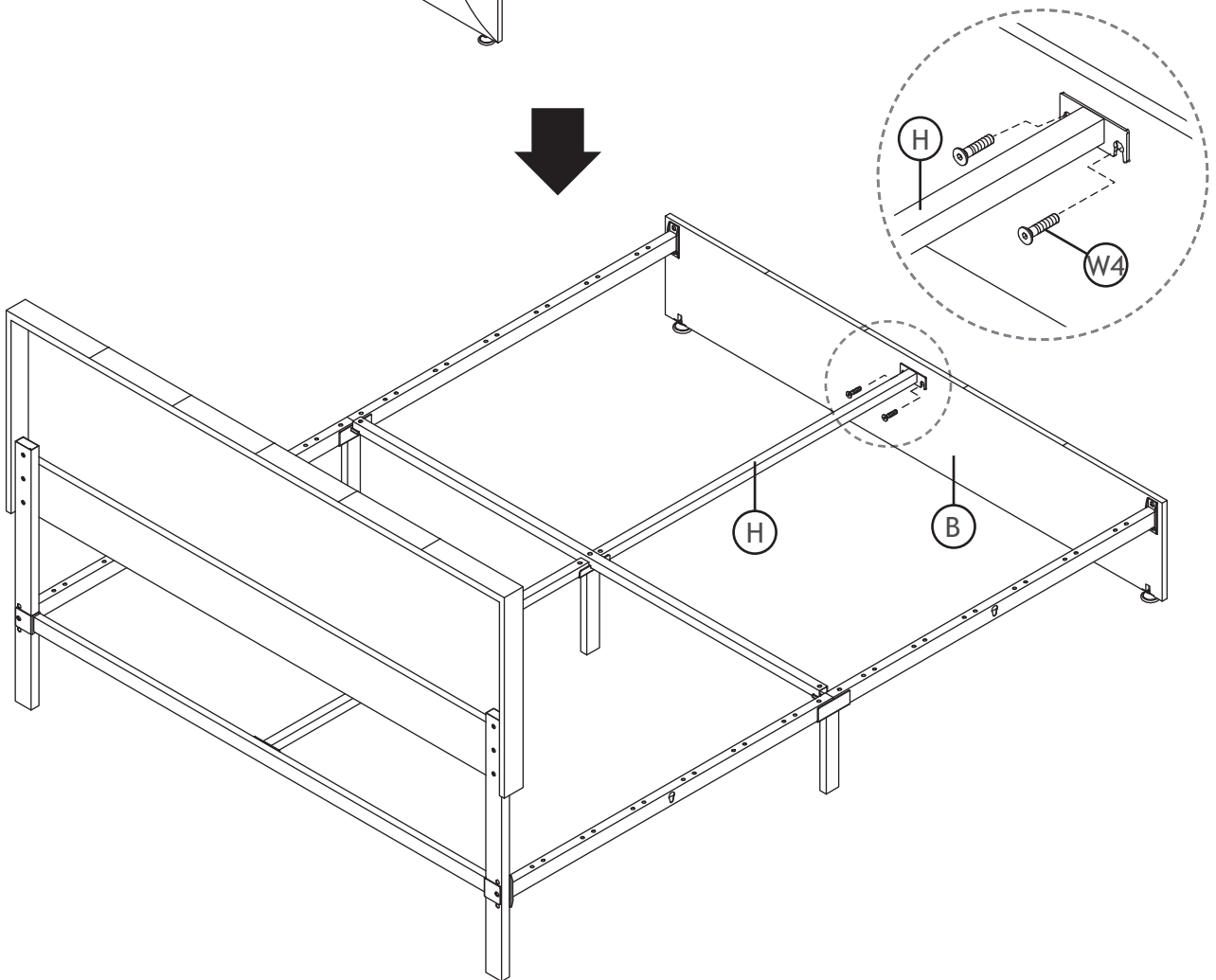
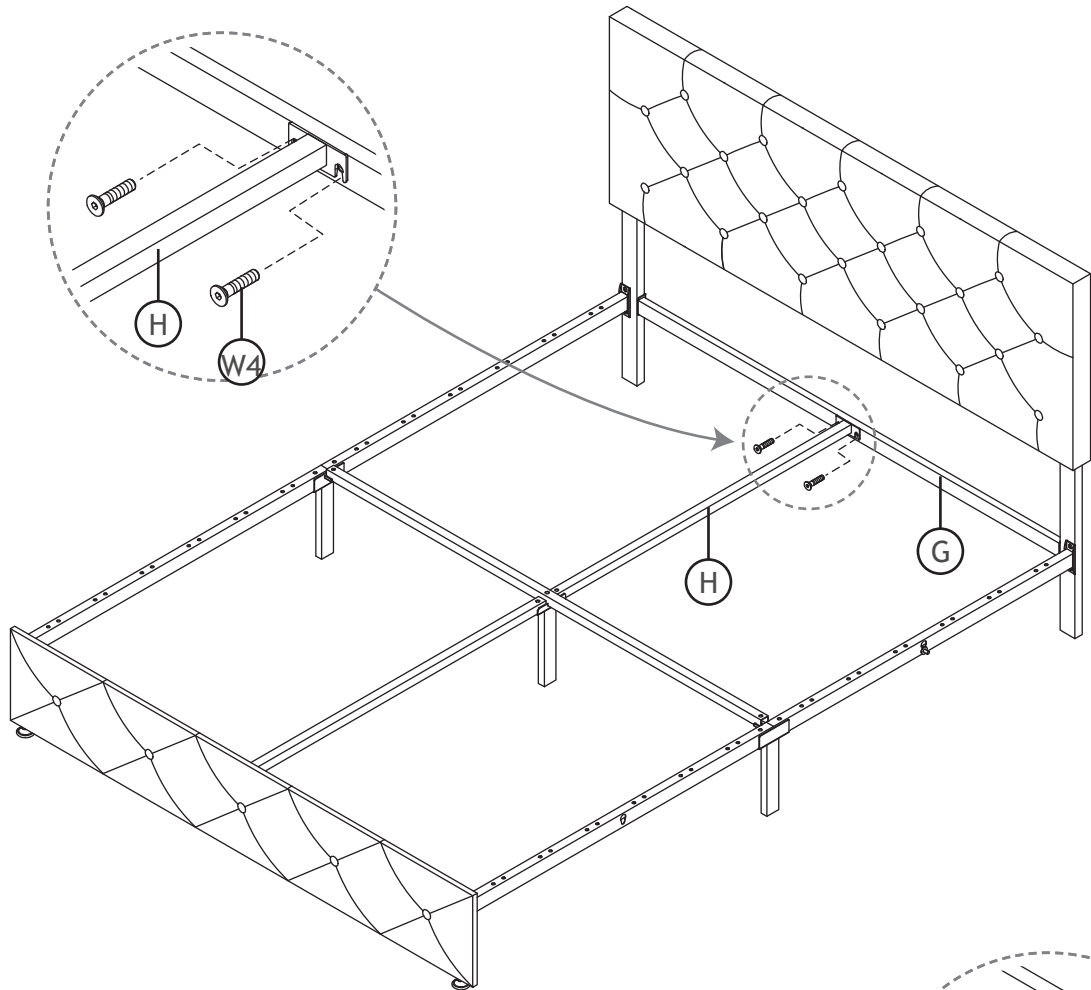
11



12

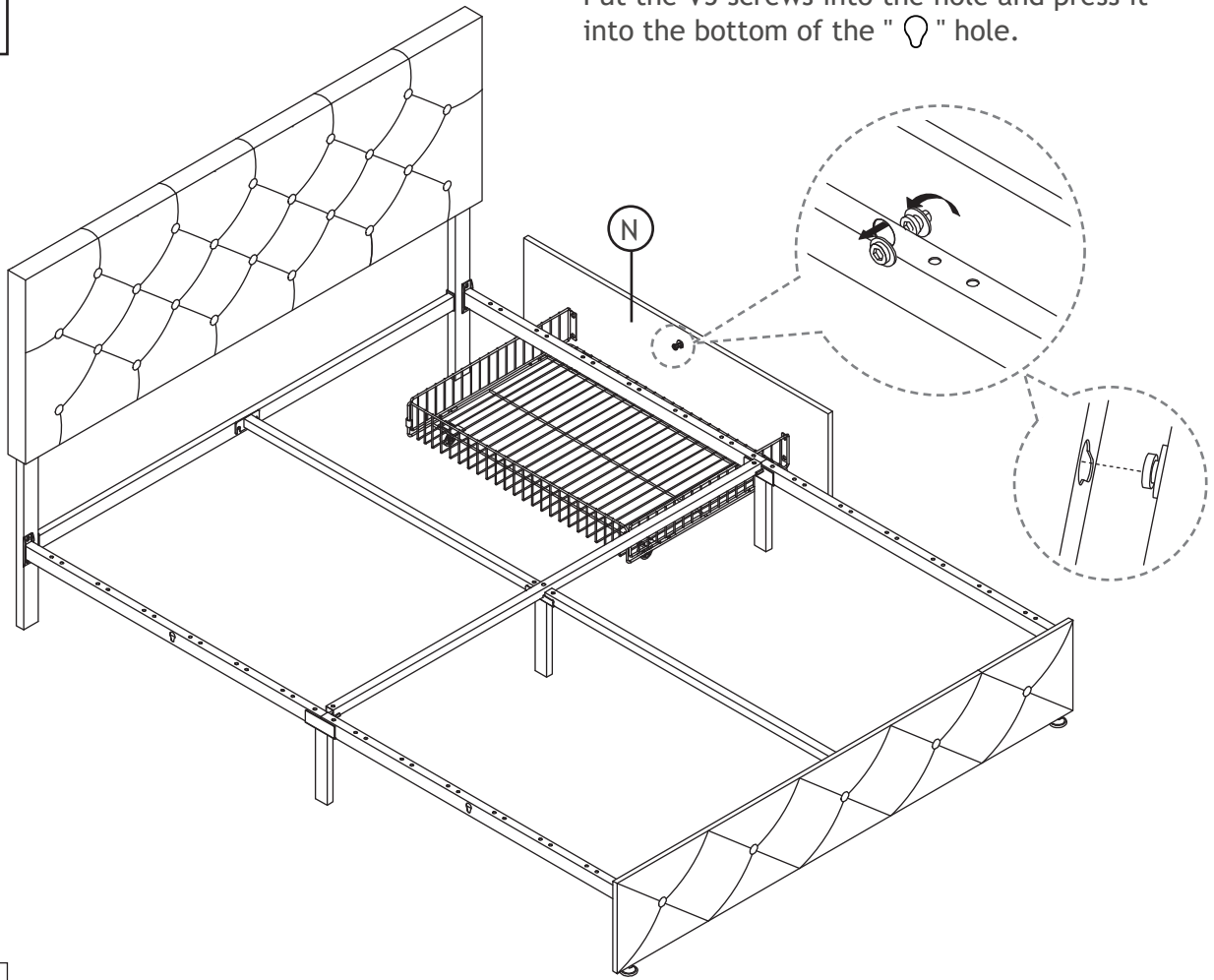


13



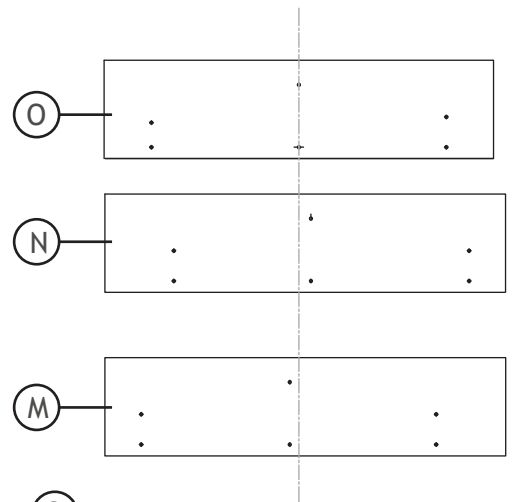
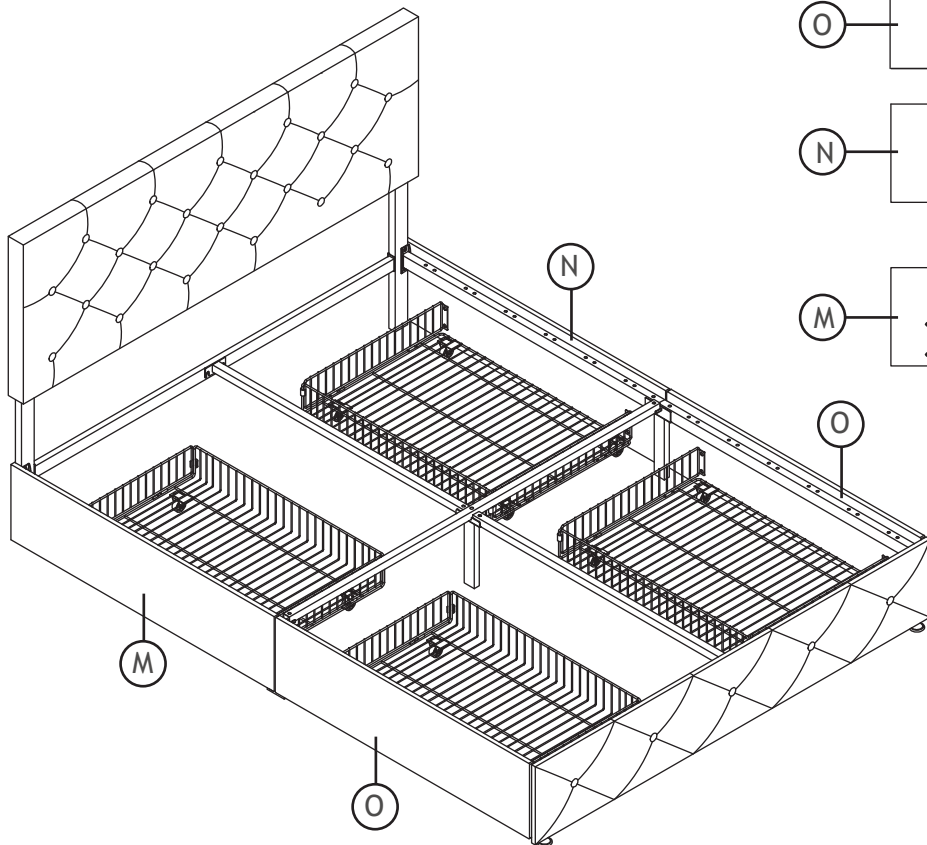
14

Put the V5 screws into the hole and press it into the bottom of the "Ⓛ" hole.

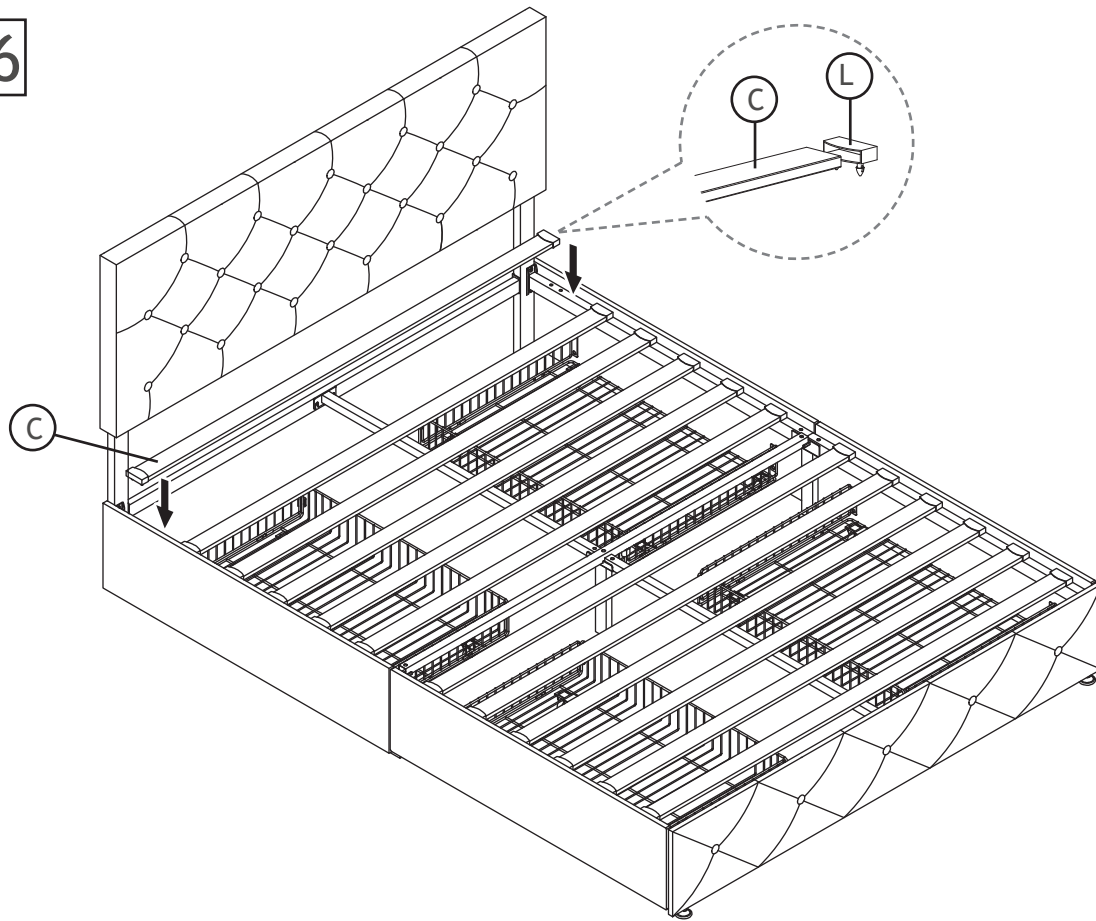


15

The 4 drawer-boards have 3 different lengths.



16



17

The headboard can be adjusted up and down by fixing the position of screws on the back.

