

# WALNUT DRESSER

# ASSEMBLY INSTRUCTIONS

Read this instruction carefully. See hardware and furniture part list for guidance. Be sure all parts are complete, before you assemble. Place all wooden furniture parts on a clean and flat soft surface to prevent from being scratched.

Follow the figure to start assembling.

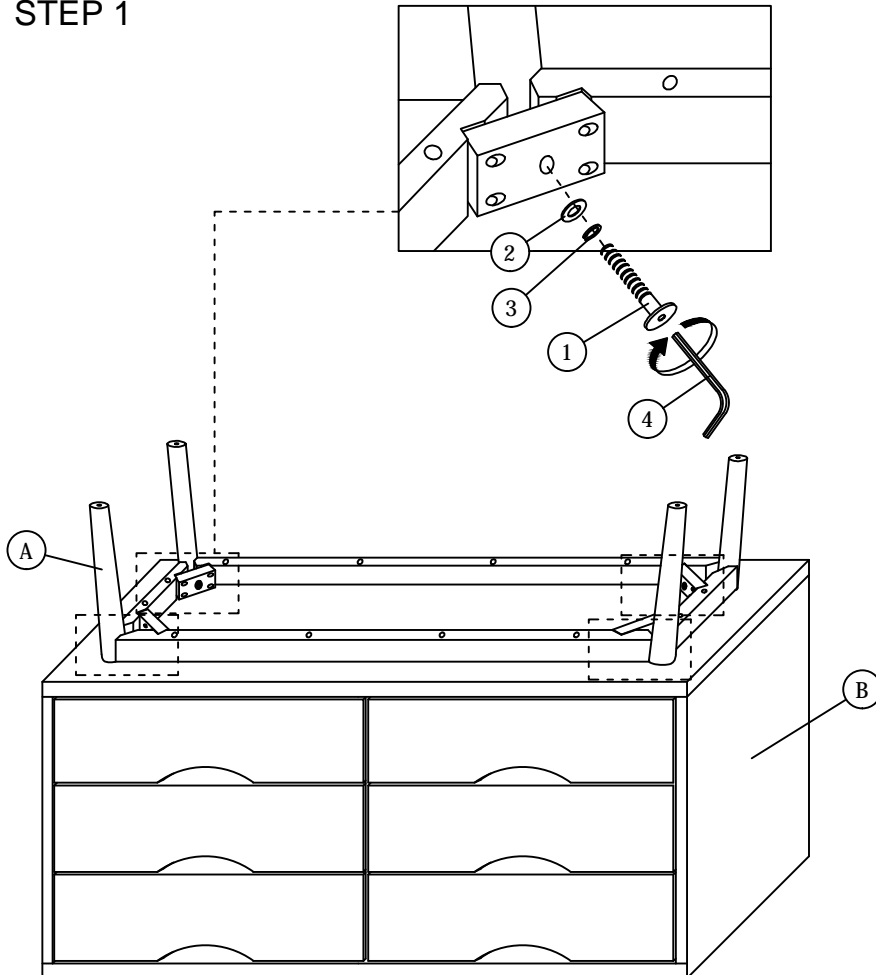
- CAUTIONS :
1. Do not FULLY - TIGHTEN the nut or nut bolt until all nut or bolt is ready assemble.
  2. Do not OVER - TIGHTEN the nut or bolt to avoid causing damages to the thread.
  3. Keep all hardware parts out of reach of children.

NOTE : THE LIST AND QUANTITY SHOWN ARE FOR 1 UNIT ASSEMBLY.

PART LIST		
ITEM	DESCRIPTION	QTY
A	LEGS	4 PCS
B	DRESSER	1 PC

HARDWARE LIST		
ITEM	DESCRIPTION	QTY
1	JCBC BOLT M6 x 60mm 	4 PCS
2	M6 FLAT WASHER 	4 PCS
3	M6 SPRING WASHER 	4 PCS
4	M4 ALLEN KEY (BALL SHAPE) 	1 PC

## STEP 1



## STEP 2

