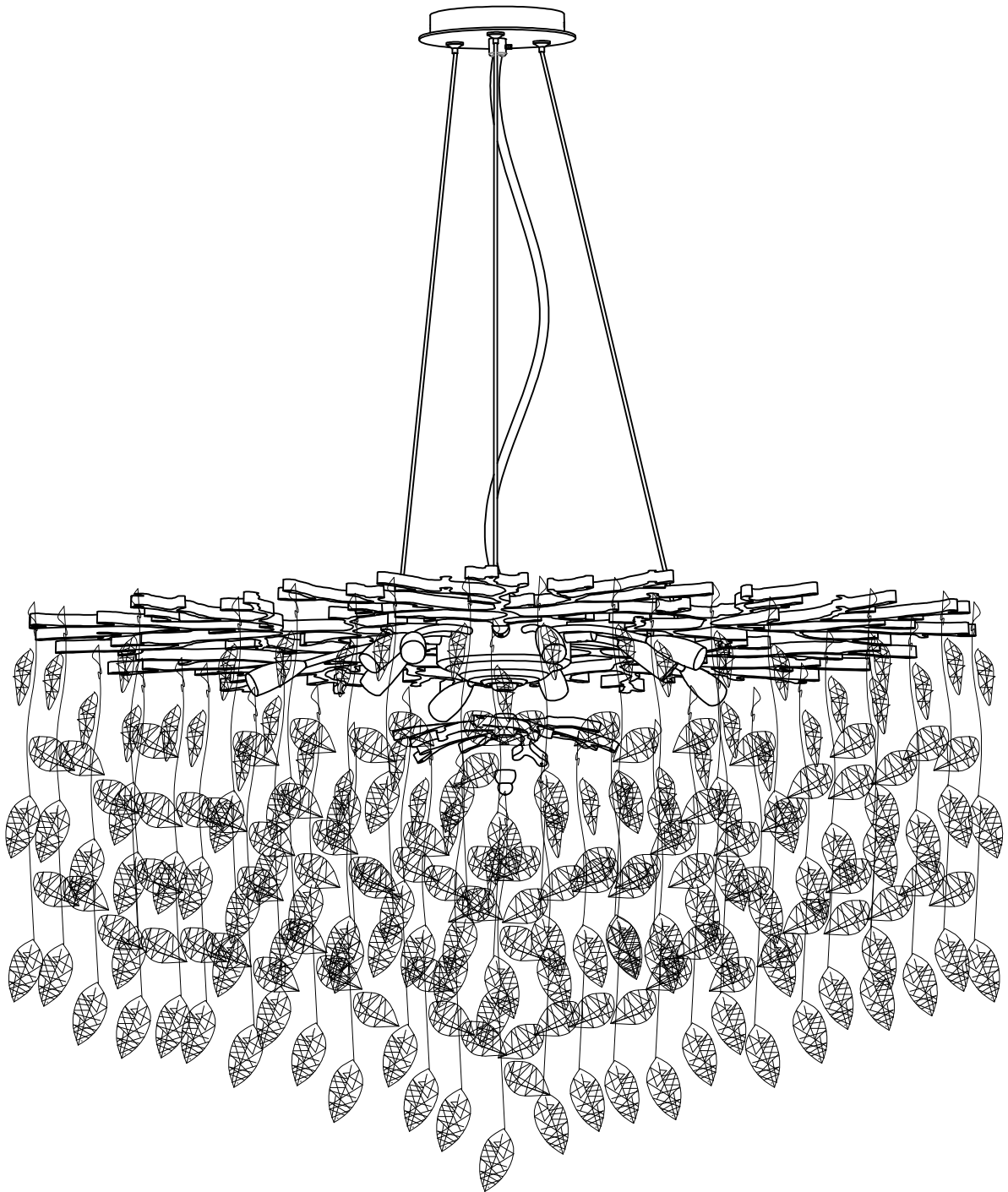
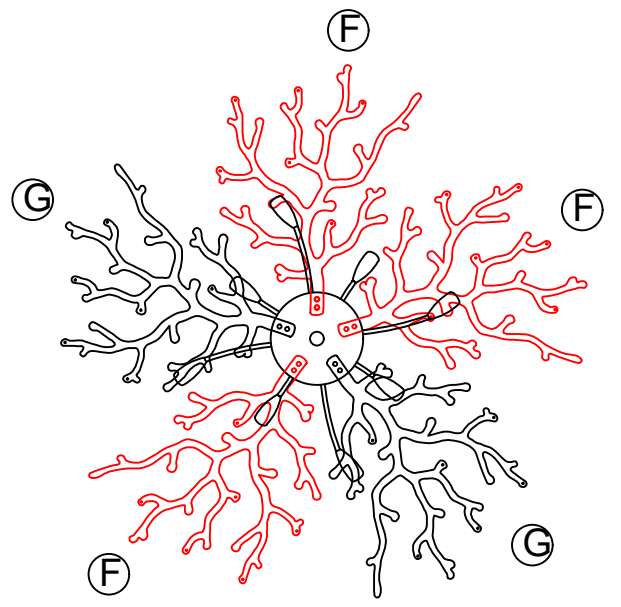
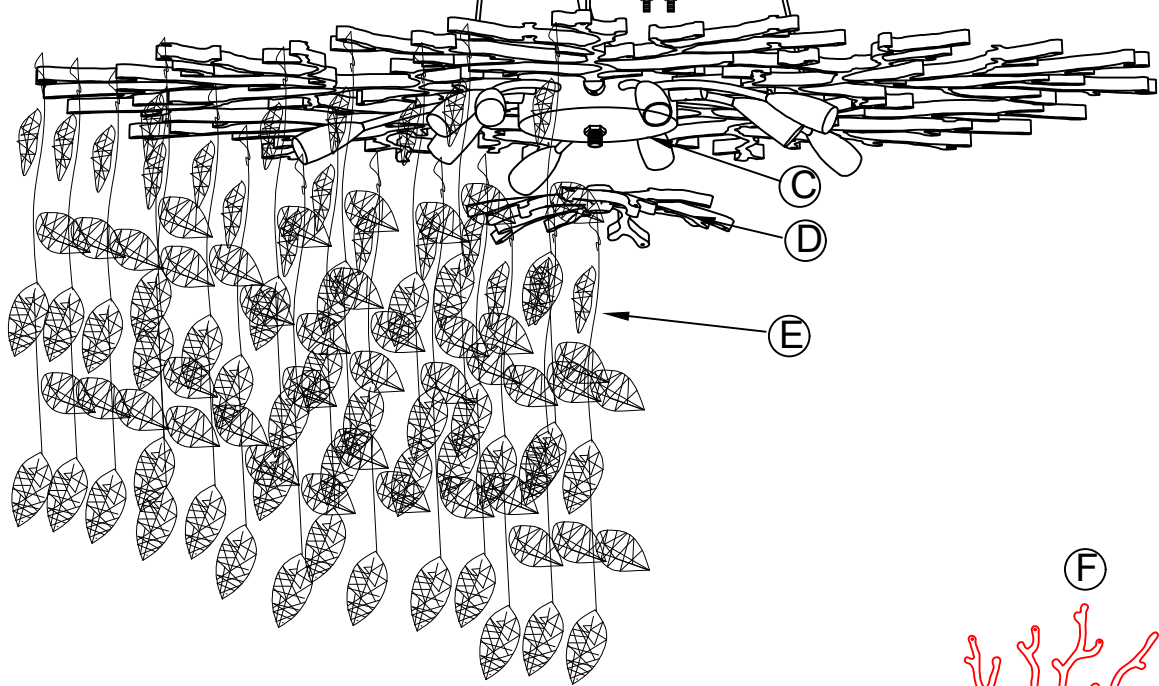
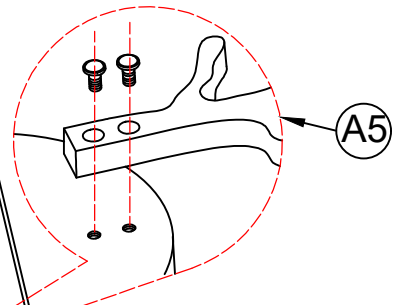
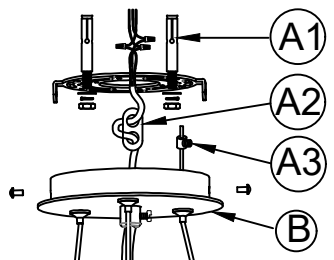
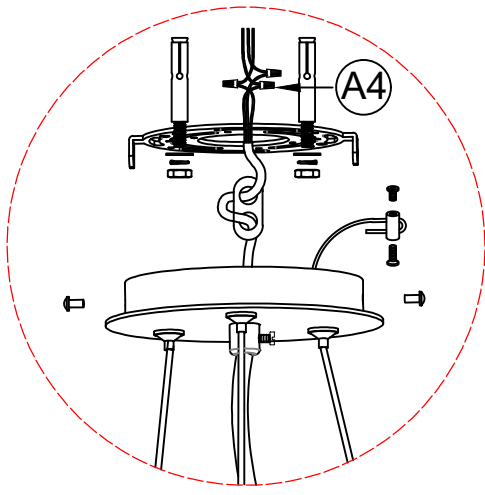

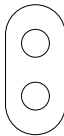
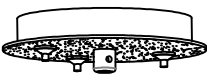
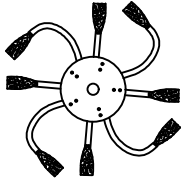



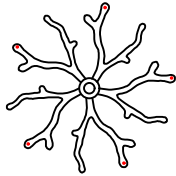
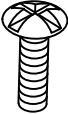
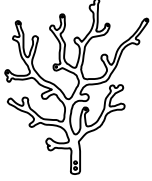
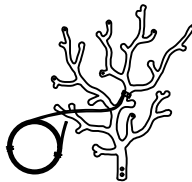


INSTALLATION MANUAL





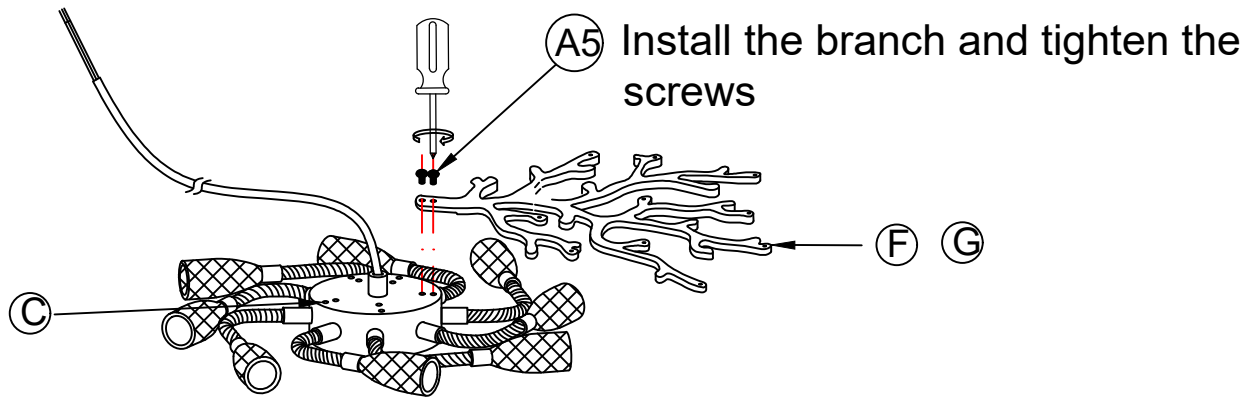
accessories list

 <p>(A1)*2</p>  <p>(A1)*1</p>	 <p>(B)*1</p>	 <p>(C)*1</p>	 <p>(E)*41</p>
 <p>(A3)*3</p>  <p>(A4)*3</p>	 <p>(D)*1</p>		
 <p>(A5)*10</p>	 <p>(G)*2</p>	 <p>(F)*3</p>	

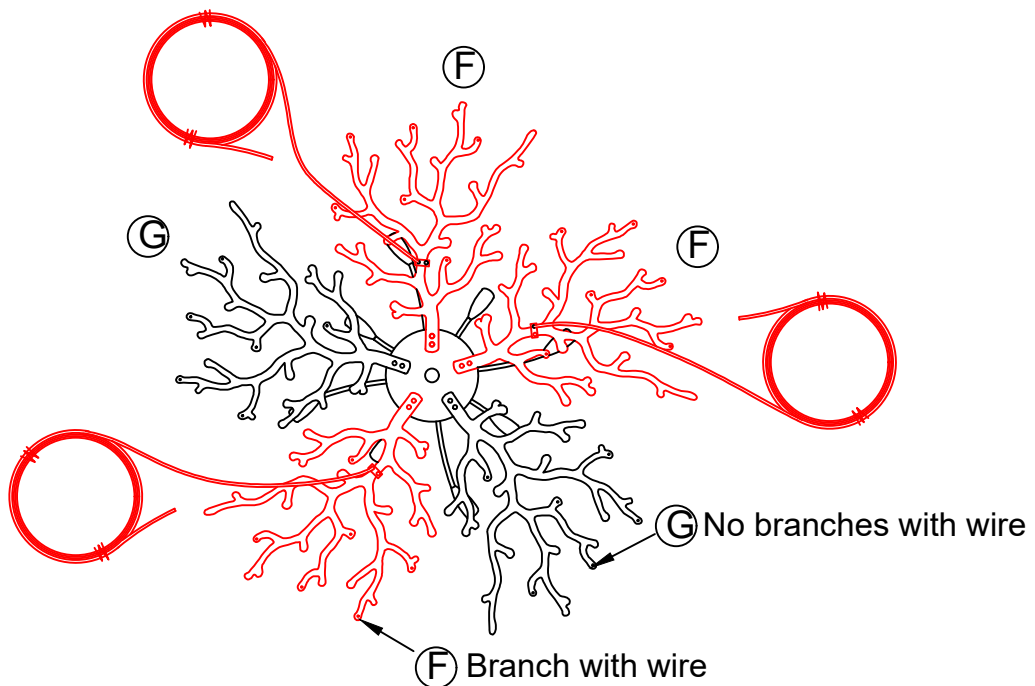
NO.	Specification name	QT
A1	Explosion Screw	2
A2	8-way plastic fastener	1
A3	Wire lock buckle	4
A4	Connector cap	3
A5	Flat head screw	10+2
A6	white gloves	2
B	Ceiling plate*D140	1
C	Chandelier body	1
D1	Bottom branch W200	1

NO.	Specification name	QT
D2	Tail	1
E	Crystal string	41+1
F	Material branch strips steel wire	3
G	Branch strip	2

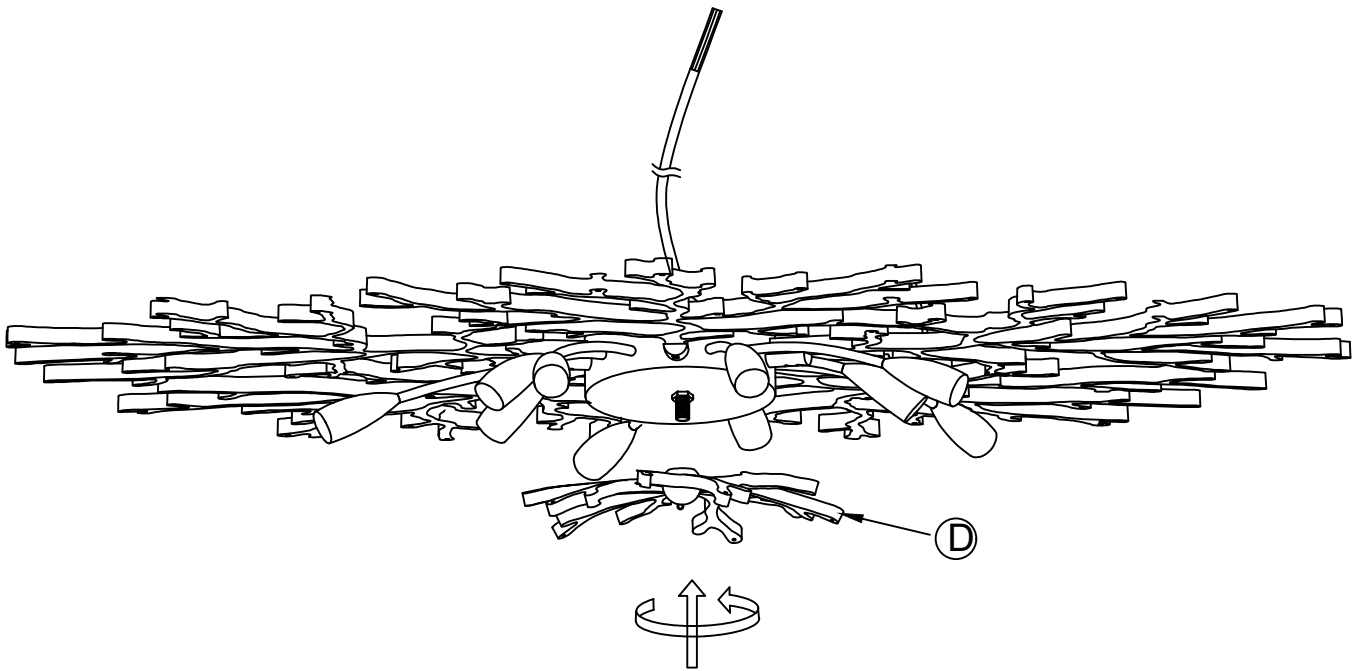
Step 1



Install the branches in order as shown in the picture

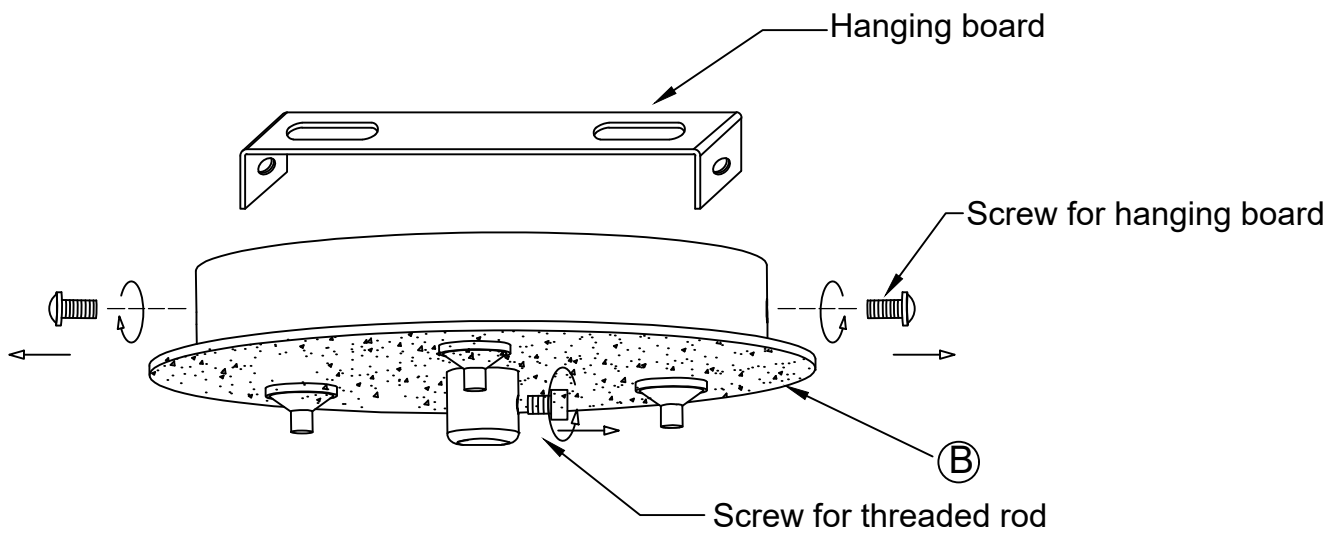


Step 2



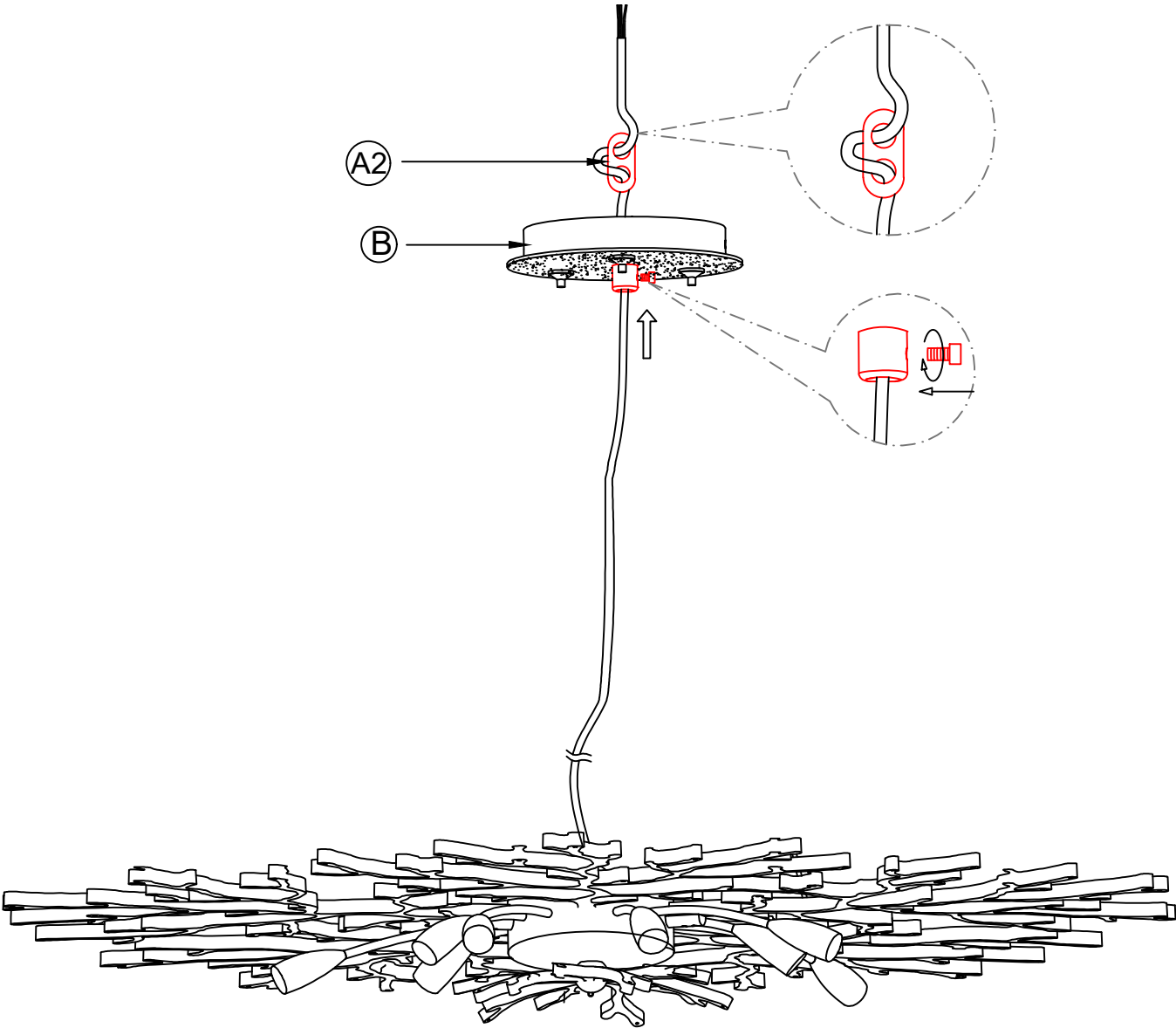
Decorate the tail branch with the tail clamping

Step 3

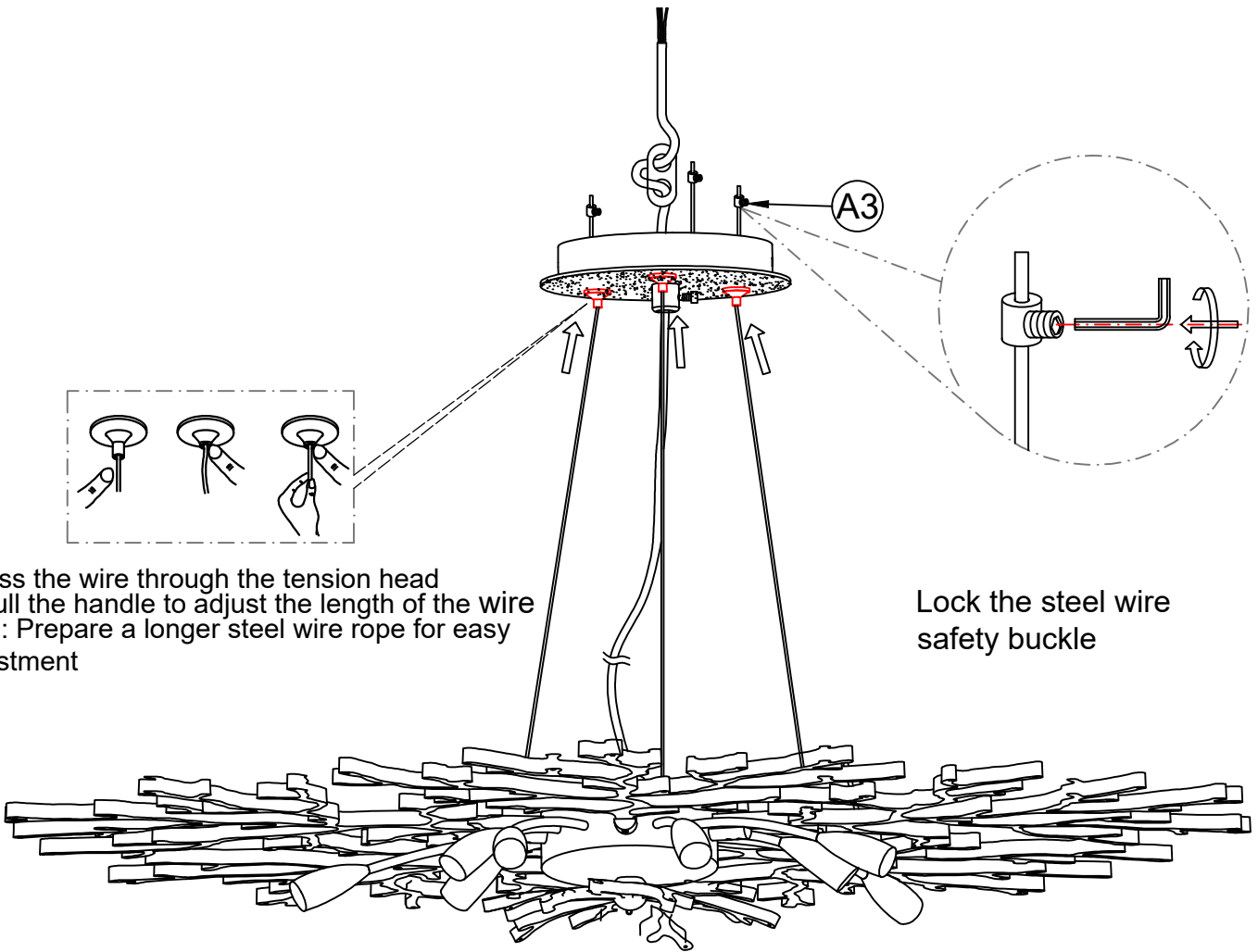


1. Loosen the screws of the hanging plate to take out the hanging plate
2. Loosen the lock line screw

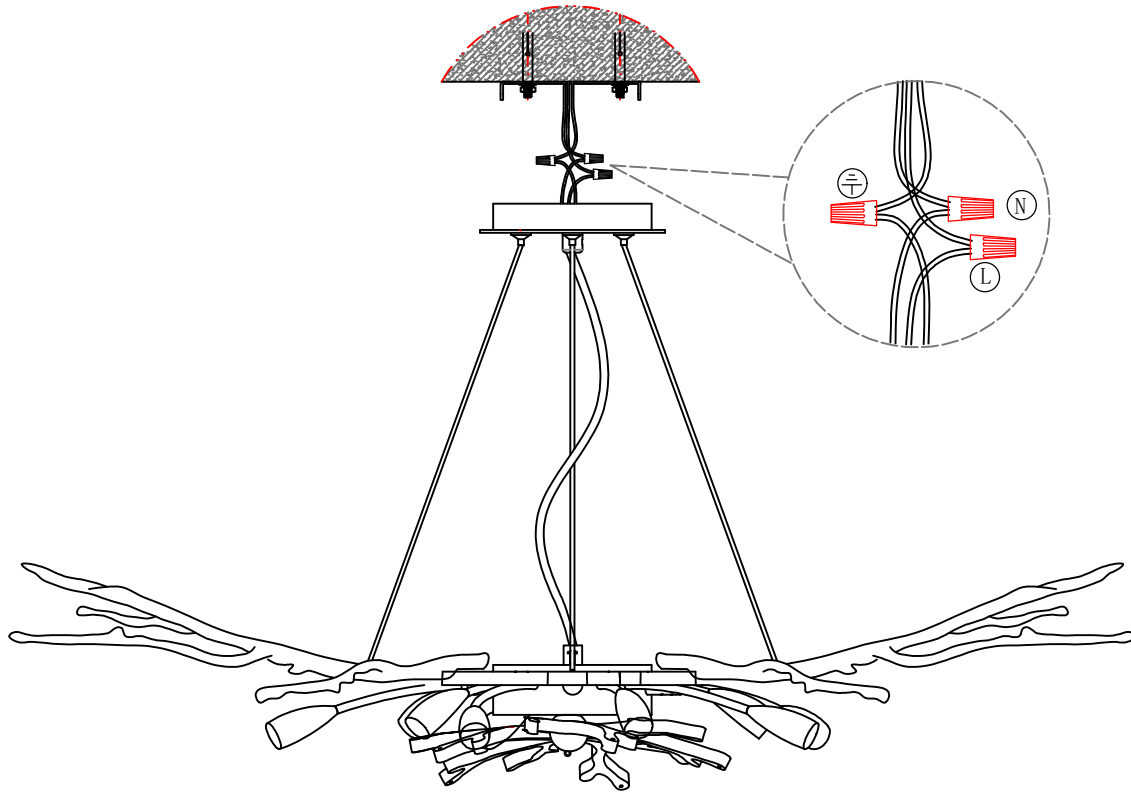
Step 4



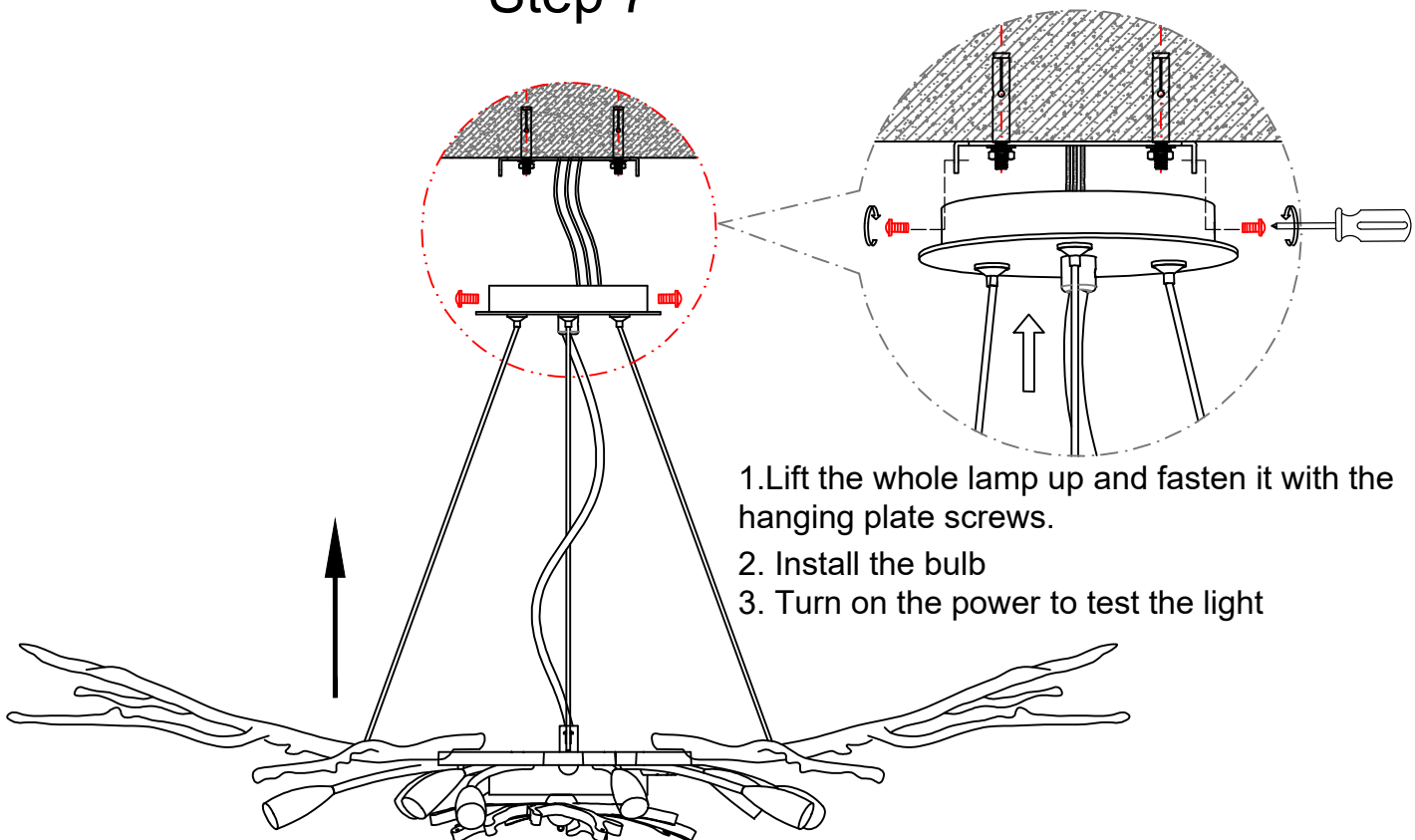
Step 5



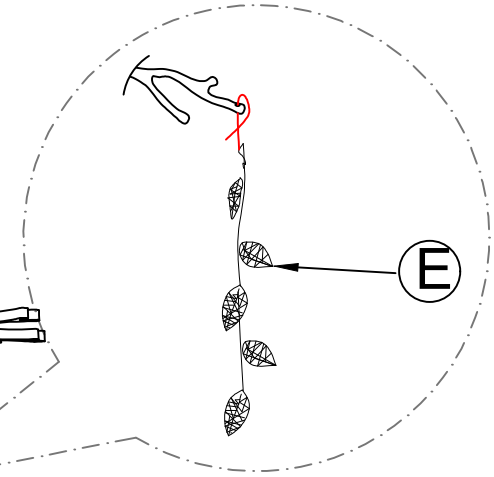
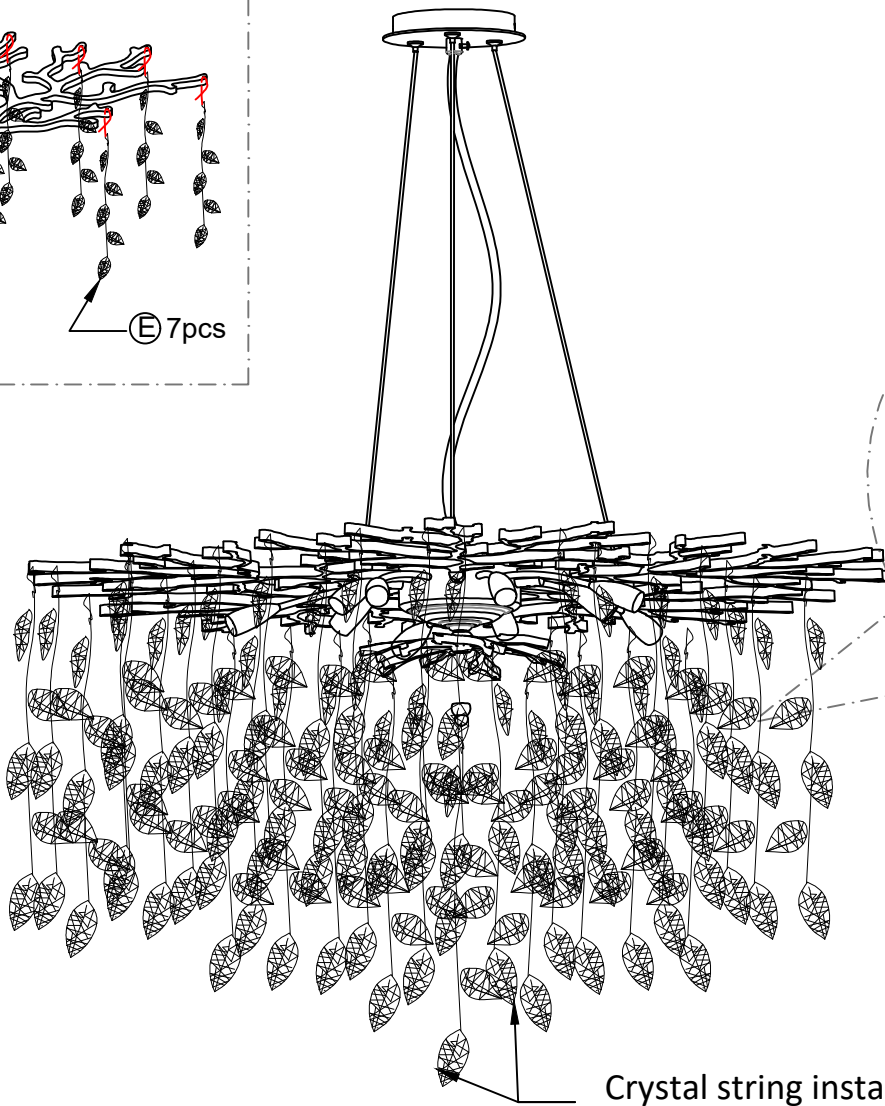
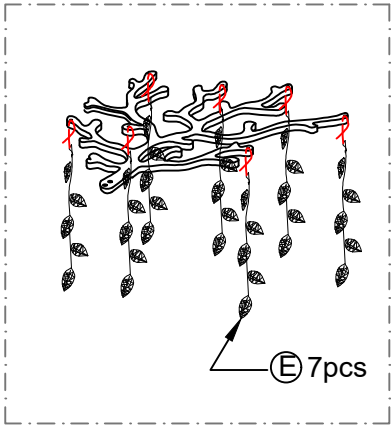
Step 6



Step 7



Step 8



Crystal string installation needs to be hung from the inner circle to the outside.

No matter what problems or questions you encounter during the installation or use of the chandelier, please feel free to contact us, we will reply to you within 24 hours and quickly solve or answer for you!

When you leave a message to us online, please leave your order ID and case details. The more detailed and accurate descriptions you provide, the faster and more accurate solutions we will offer!

SAFETY INSTRUCTIONS

These instructions are provided for your safety. It is very important that you read the instructions completely before starting the installation of your fixture.

1. We recommend installation by a licensed electrician .

2. This fixture require G9 bulbs(NOT INCLUDED) and bulb rated wattage: Max 10W Low wattage LED bulbs are recommended. To avoid risk of fire, do not exceed the recommended wattage.

3. If any special control devices are used with this fixture, follow the instructions carefully to assure full compliance with N.E.C. requirements. If there are any problems, contact a qualified electrical contractor.

4. Please ensure that you shut off the main electrical supply before installation, changing bulbs or cleaning light fixture.

WARNINGS

This is not a toy and the product has no play value.

Keep at least 3 feet away from cribs, bassinets and toddler beds.

Keep out of reach of children under 3 years of age.



PREPARATION

1. Please prepare the G9 bulbs in the package in advance.

2. Please keep the installation position clean and tidy so as not to miss the small accessories.