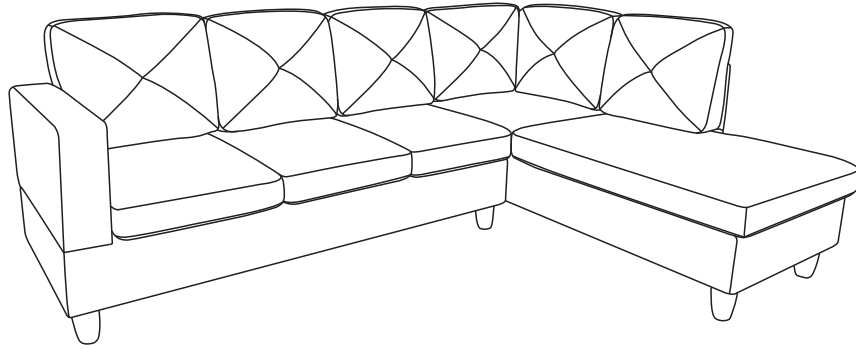


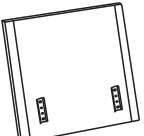


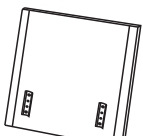
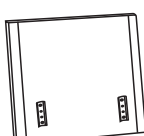


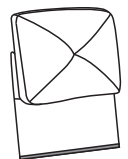
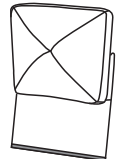
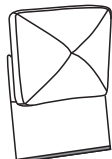




ASSEMBLY INSTRUCTIONS



PARTS LIST

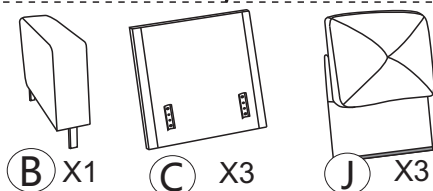
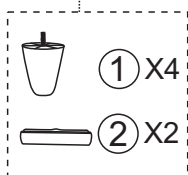
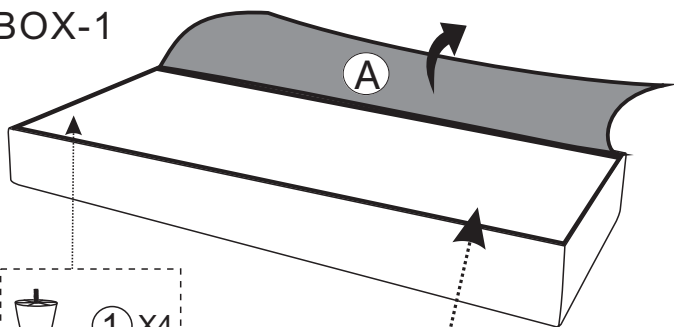
						
A X1	B X1	C X4	D X3	E X1	F X1	G X1
						
H X1	I X1	J X4	K X1	L X1		

HARDWARE LIST

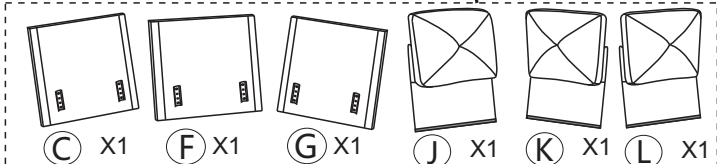
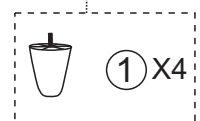
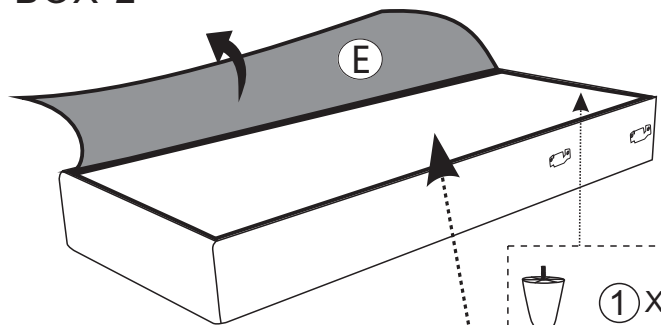
	
1 X8	2 X2

Please open the black woven fabric with Velcro closure on the bottom of the frame then cut off the black straps before removing the parts for assembly.
Please allow at least 24 hours for the cushions to recover to its natural state after removing from the package.

BOX-1

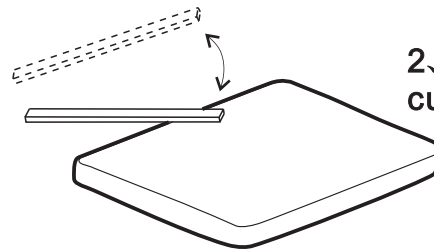
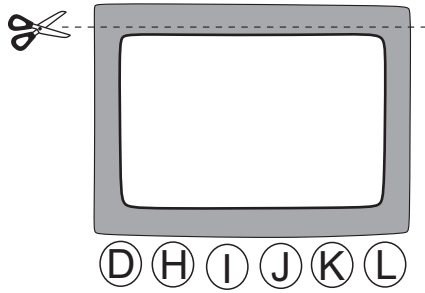


BOX-2

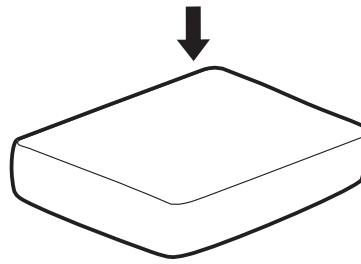


Step1

1. Please open the vacuum packing bag →



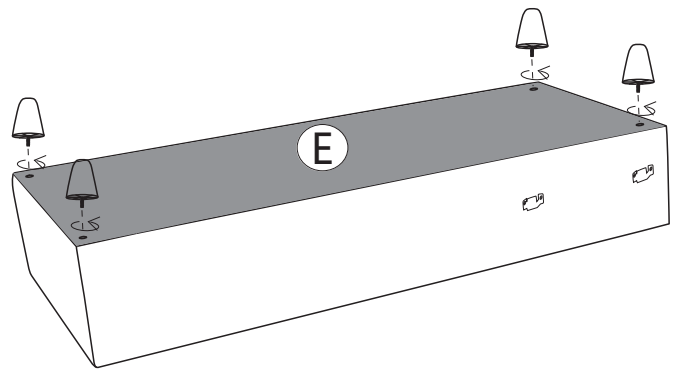
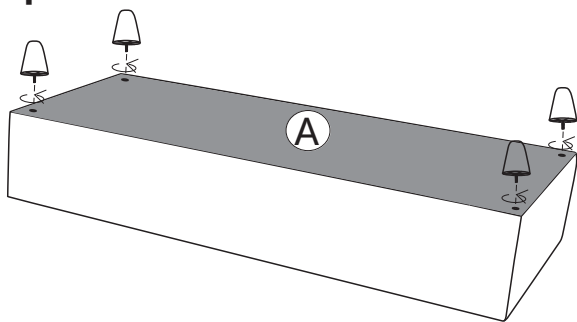
2. Then tap the cushions gently



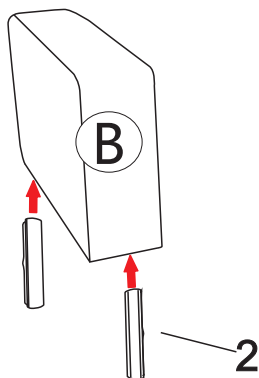
3. Wait for rebounding of cushion foam

Cushion is vacuum packed, when you receive the cushion, please wait for the cushion foam to rebound for about 1 or 2 days before you can assemble and enjoy it.

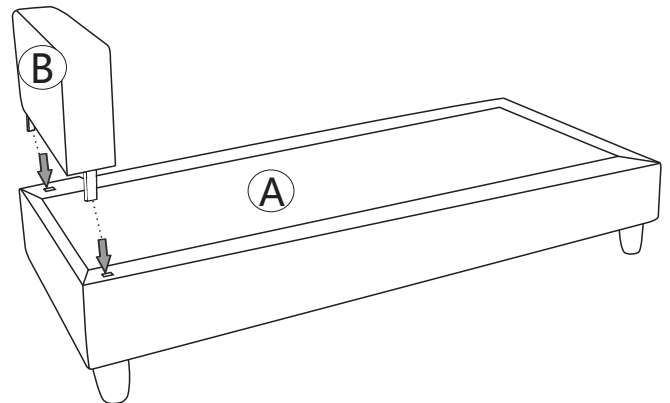
Step2



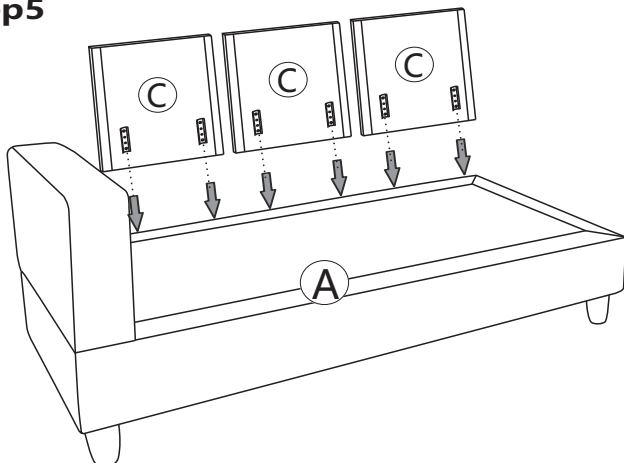
Step3 Please pay attention to the following steps to assemble!



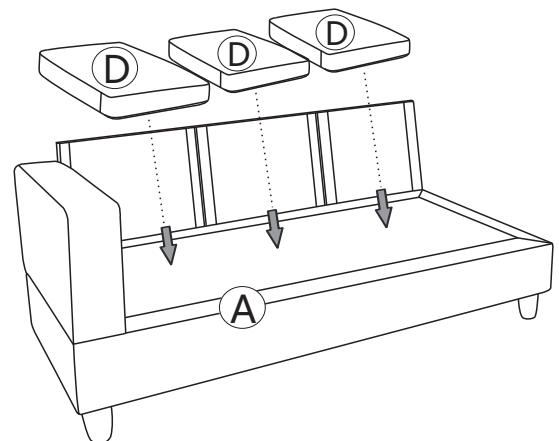
Step4



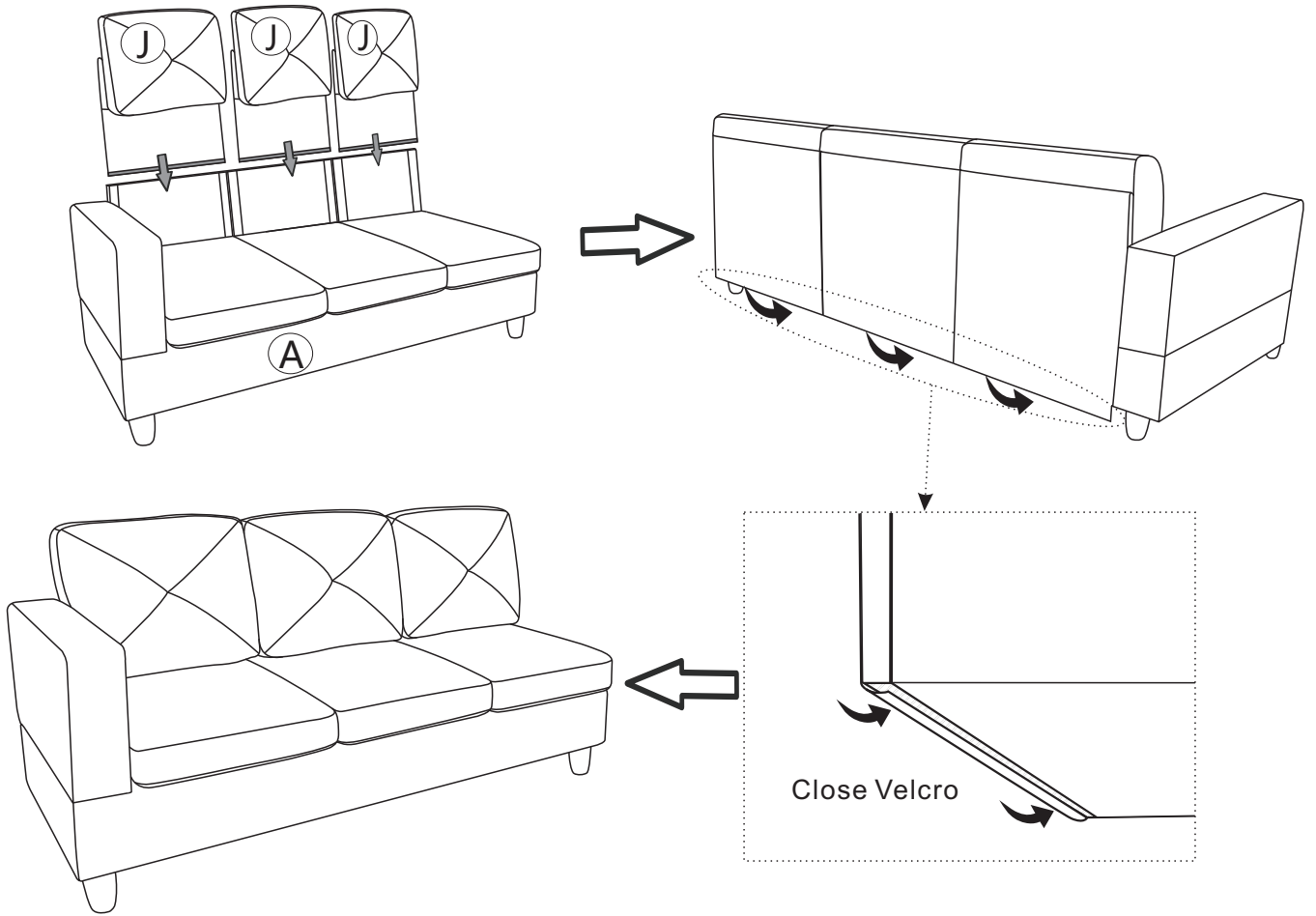
Step5



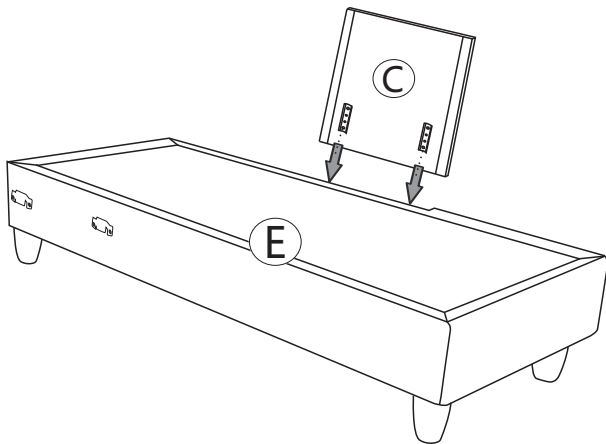
Step6



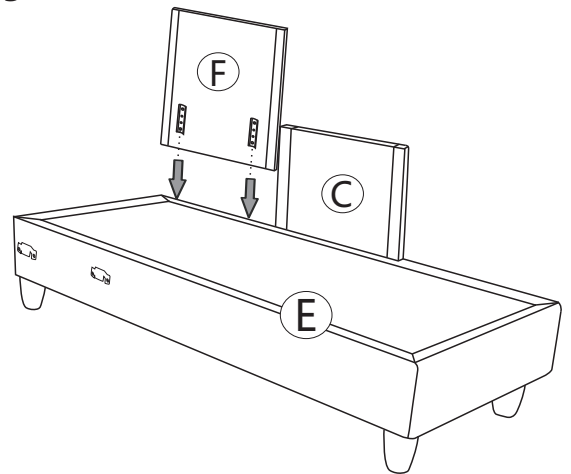
Step7



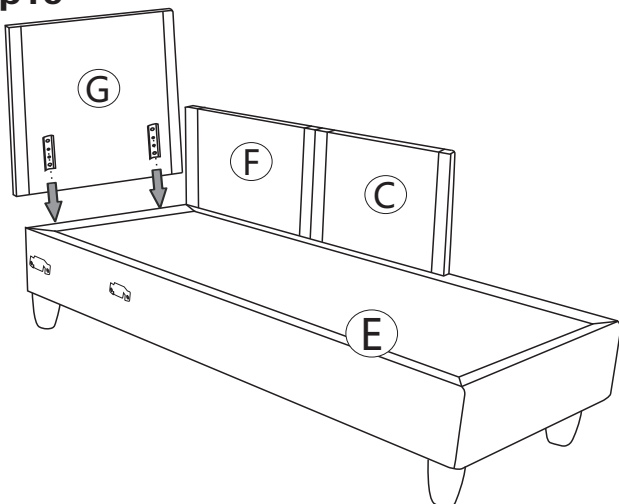
Step8



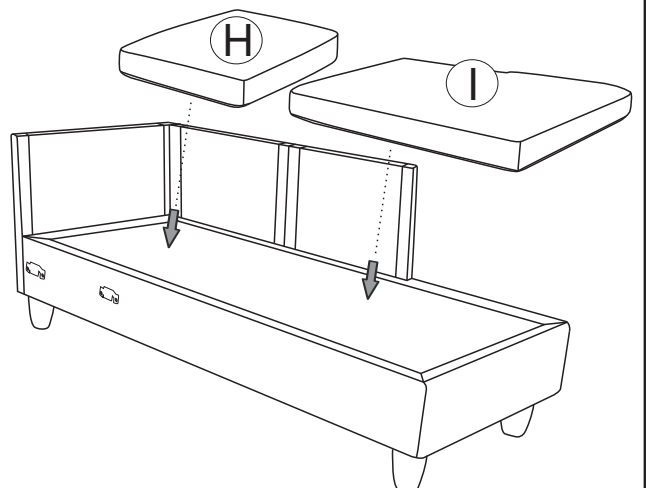
Step9



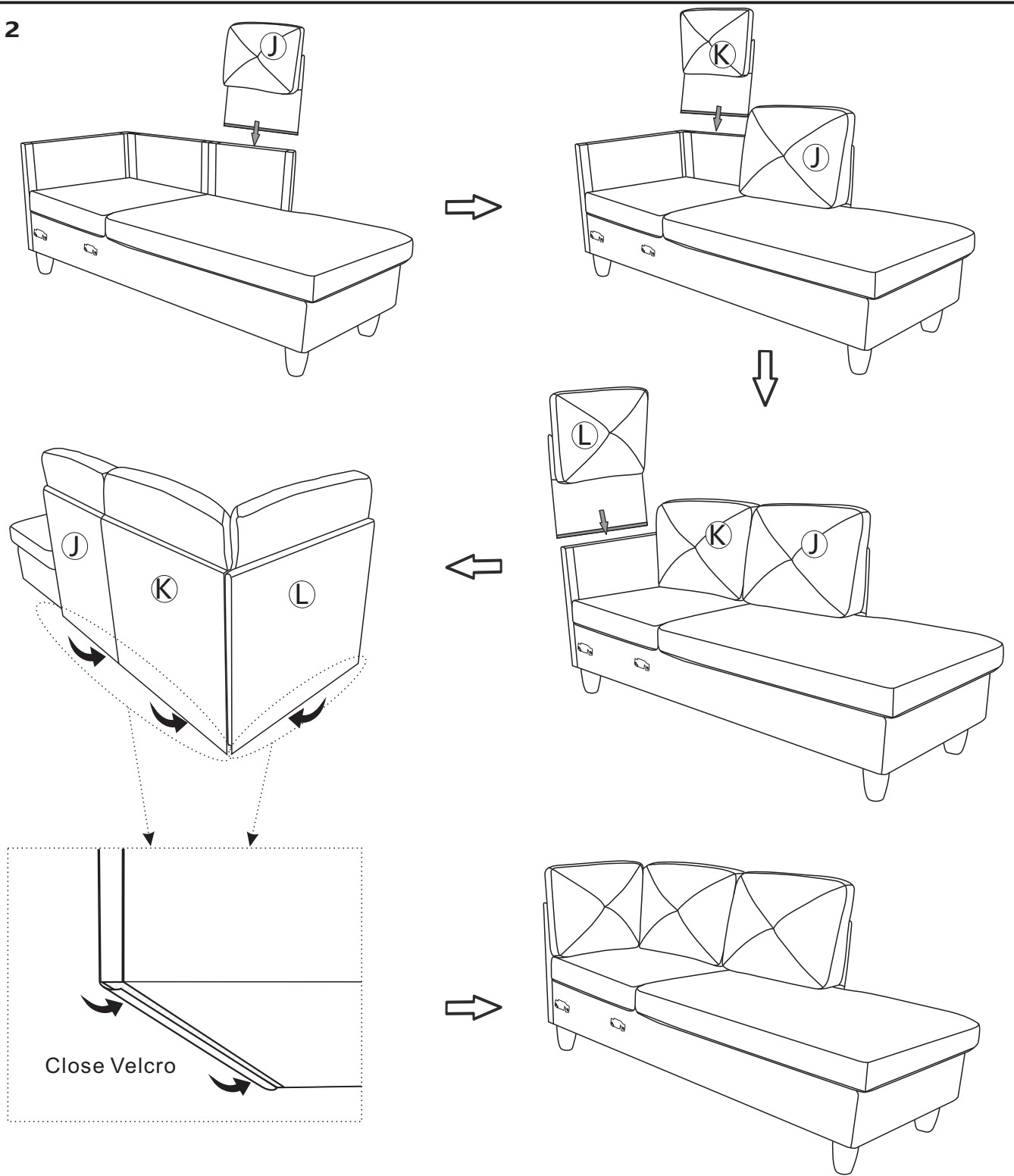
Step10



Step11



Step12



Step13

