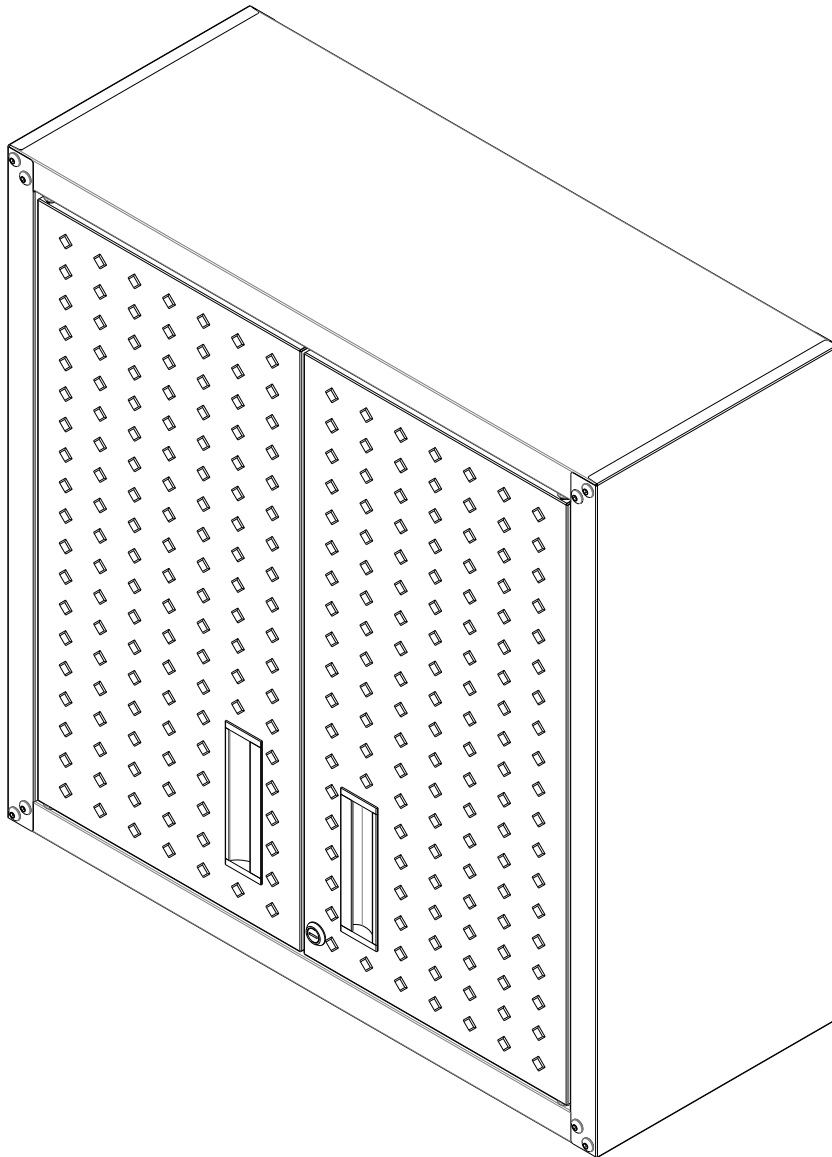
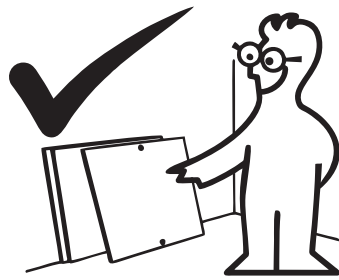
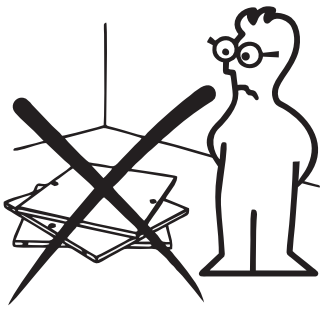


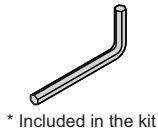
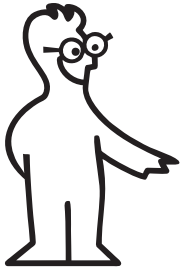
Assembly Guide



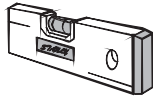


In order to ease the assembly, you should separate and identify the parts first

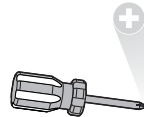
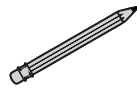
Necessary hardware for the assembly, leveling and safety



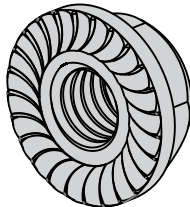
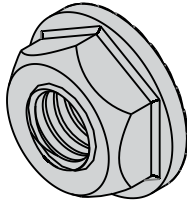
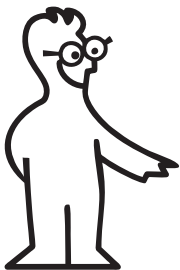
* Included in the kit



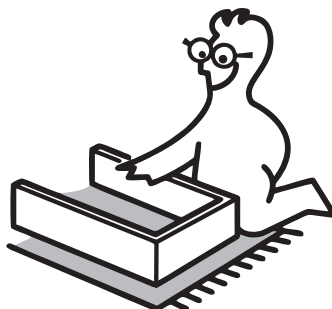
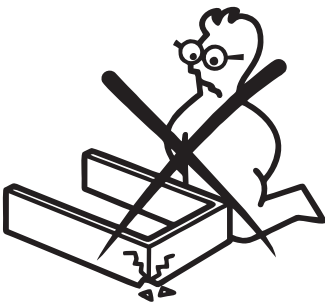
* Not included in the kit



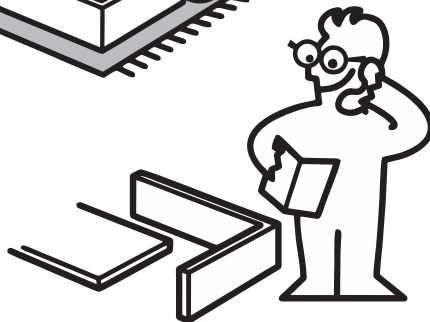
5/16"



Locking nut, no key tightening required.



Do not place the parts directly onto the floor. Use a cardboard sheet or a mat to place the parts, during the separation and assembly.



IMPORTANT

In order to avoid severe or even fatal injuries, follow the instructions carefully.

This furniture should be fixed onto the wall, so to avoid possible drops.

Different types of walls demand different types of hardware.

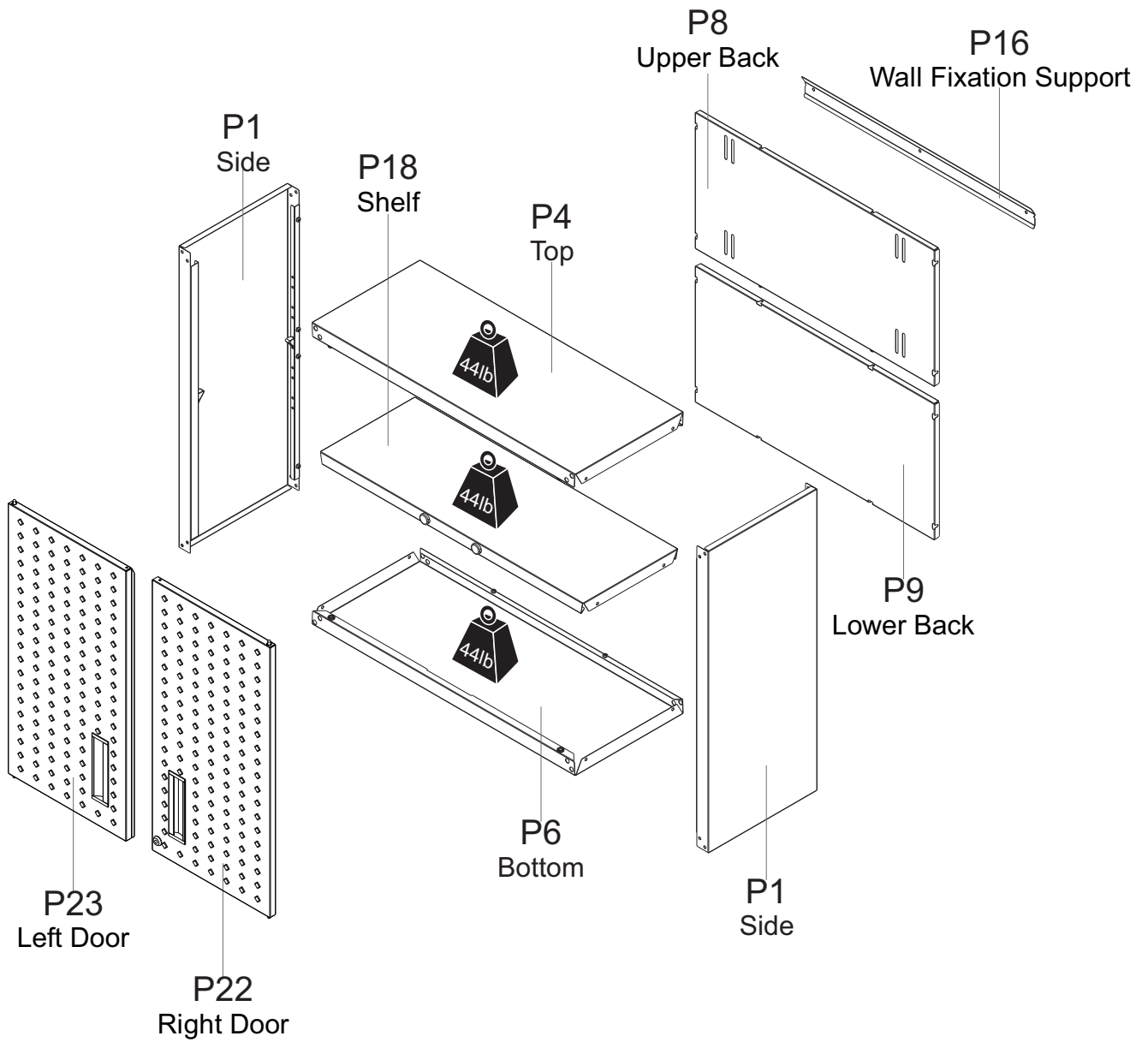
Hardware to fix the furniture to the drywall is included in the kit.

Should your wall be different, please, ask for advice at the hardware store.



WARNING

“
lb
Maximum weight supported by shelf
”



Hardware list

F1



Qty. 16

F2



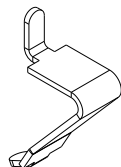
Qty. 16

F5



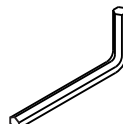
Qty. 3

F7



Qty. 4

F13



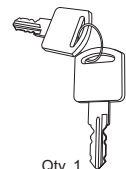
Qty. 1

F14



Qty. 3

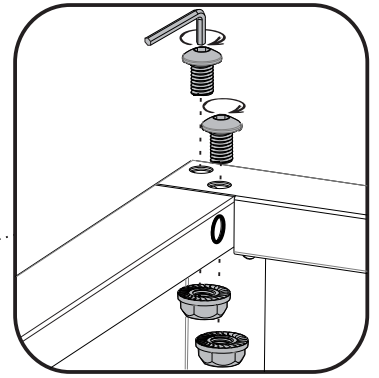
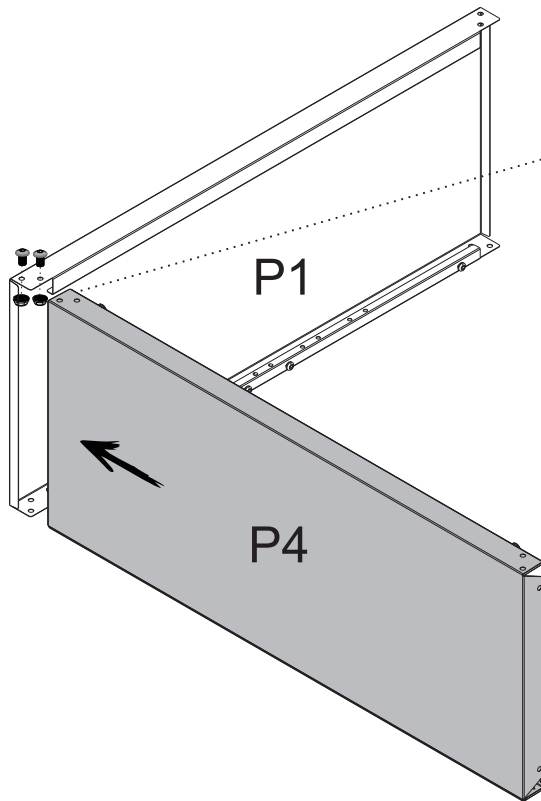
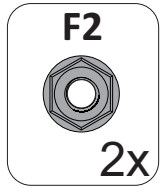
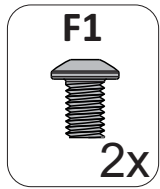
F15



Qty. 1

STEP 1

- 1 - Fit part **P4** inside part **P1**.
- 2 - Fit both parts in the frontal side, with **F1** and **F2**.

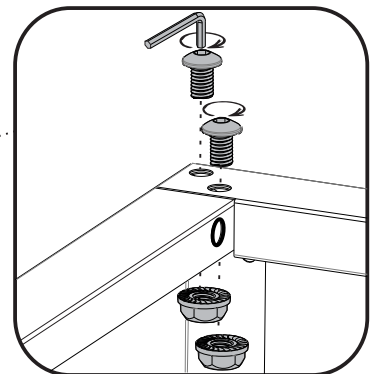
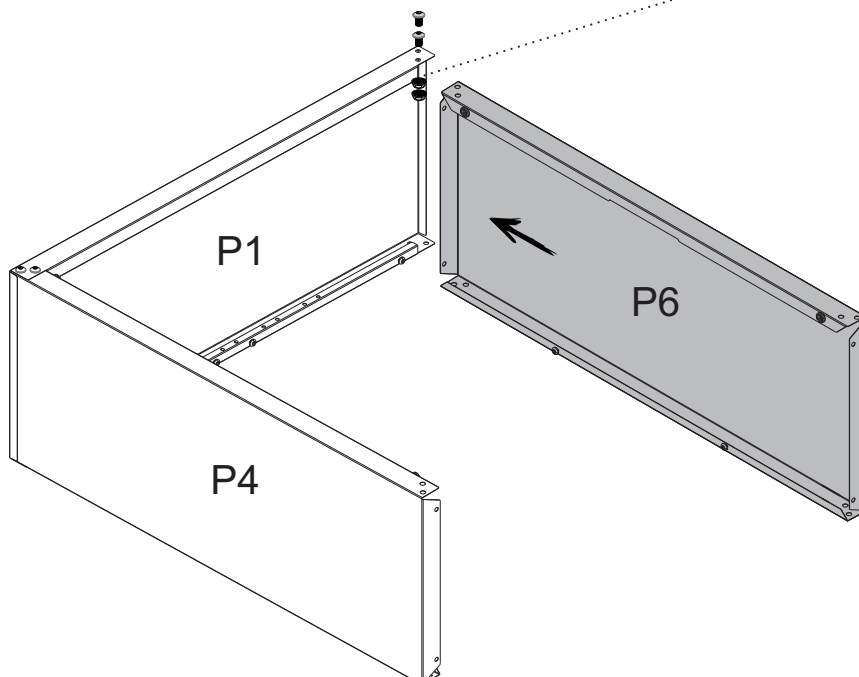
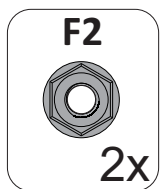
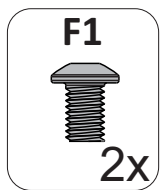


WARNING

“ Do not tighten the screw completely. ”

STEP 2

- 1 - Fit part **P6** inside part **P1**.
- 2 - Fit both parts in the frontal side, with **F1** and **F2**.

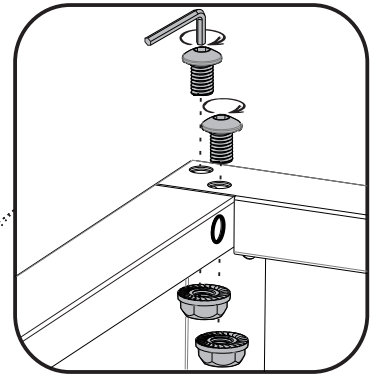
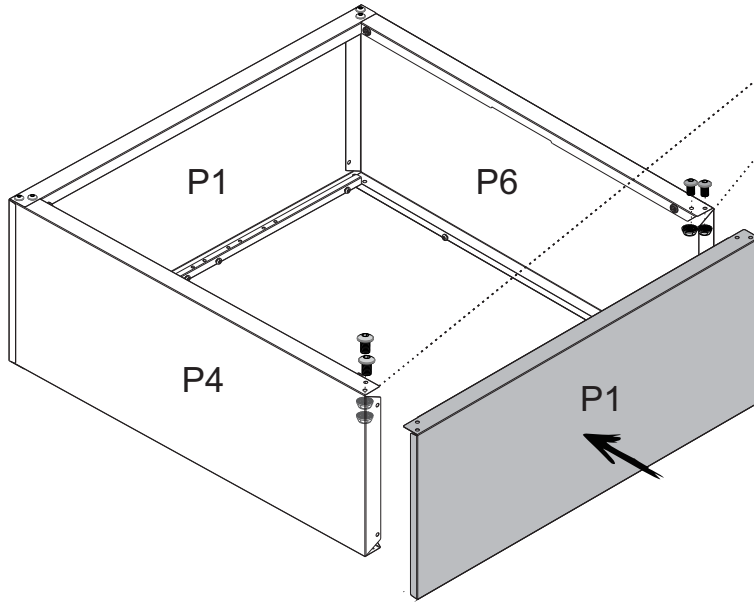
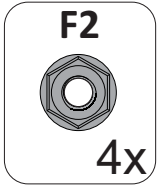
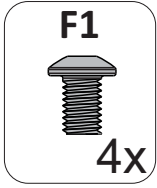


WARNING

“ Do not tighten the screw completely. ”

STEP 3

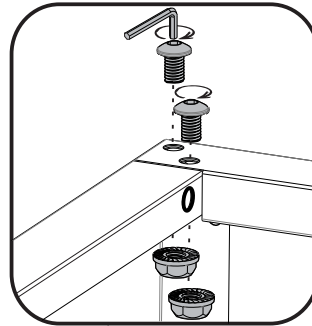
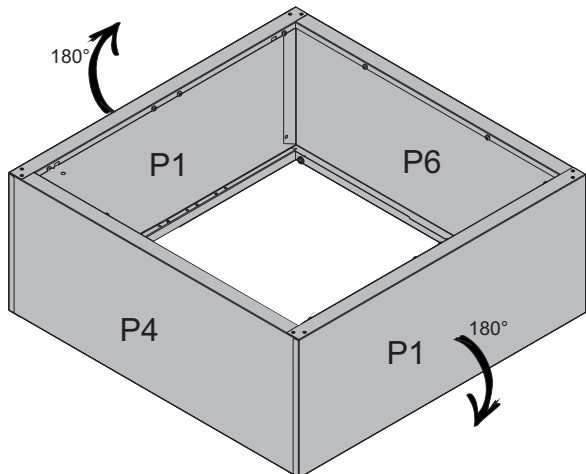
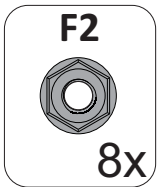
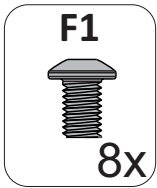
- 1 - Fit part **P4** and **P6** insed part **P1**.
- 2 - Fit part **P1** to part **P4** and part **P6**, at the frontal side, with **F1** and **F2**.



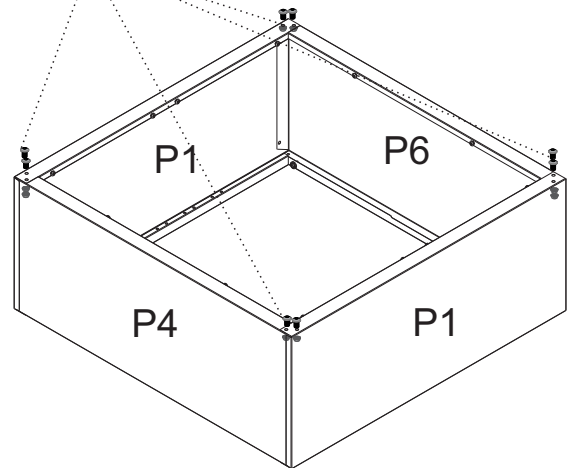
“ **WARNING**
Do not tighten the screw completely.
”

STEP 4

- 1 - Turn the cupboard with the back side upwards
- 2 - Fit part **P1** to part **P4** and part **P6**, at the frontal side, with **F1** and **F2**.



“ **WARNING**
Do not tighten the screw completely.
”



“ **WARNING**
Check that all parts are correctly supported to ensure product alignment.
”

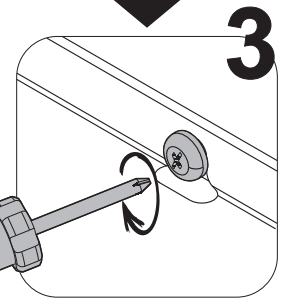
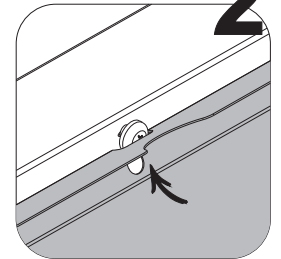
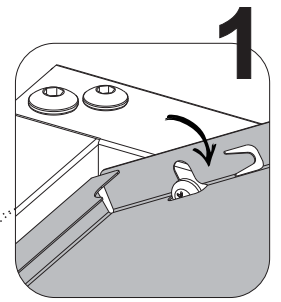
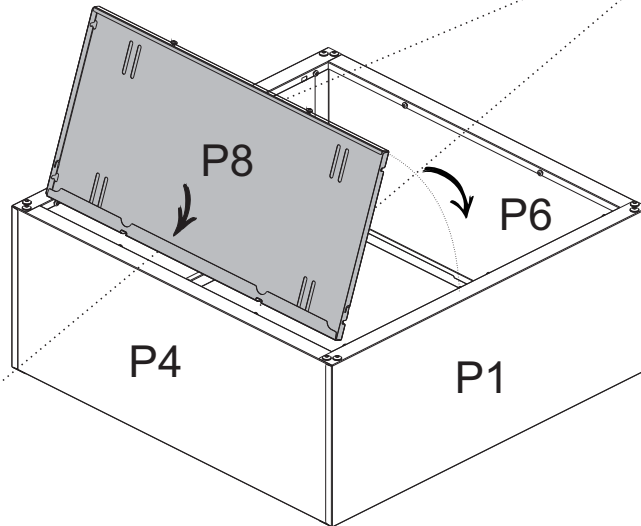
STEP 5

- 1 - Fit part **P8** into part **P4** and parts **P1**
- 2 - Check that all fits are supported over the bolts
- 3 - After fitting the parts, screw the bolts until locked



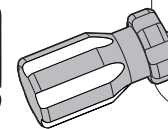
WARNING

“
Position part **P8**
on the **P4** side
for mounting the
cabinet.
”



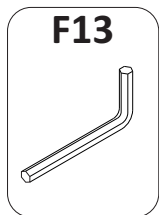
WARNING

“
Do not tighten the screw completely.
”

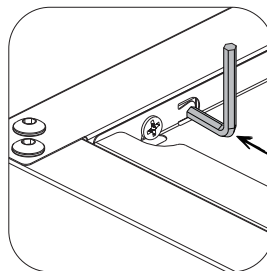


STEP 6

- 1 - With the end of **F13**, smash the safety claw, locking part **P8** to part **P1**.

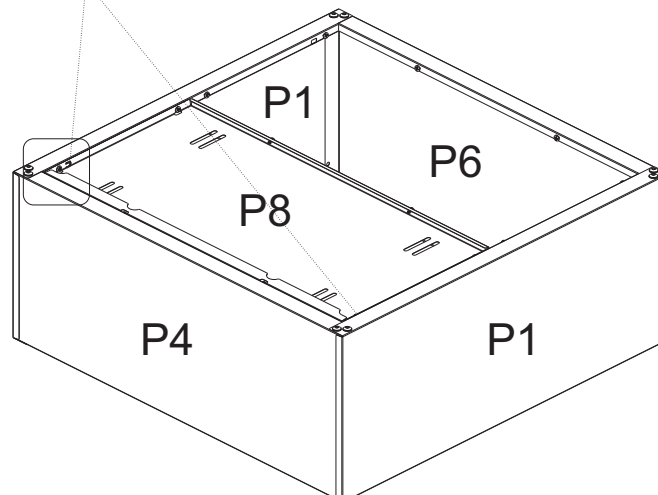


F13



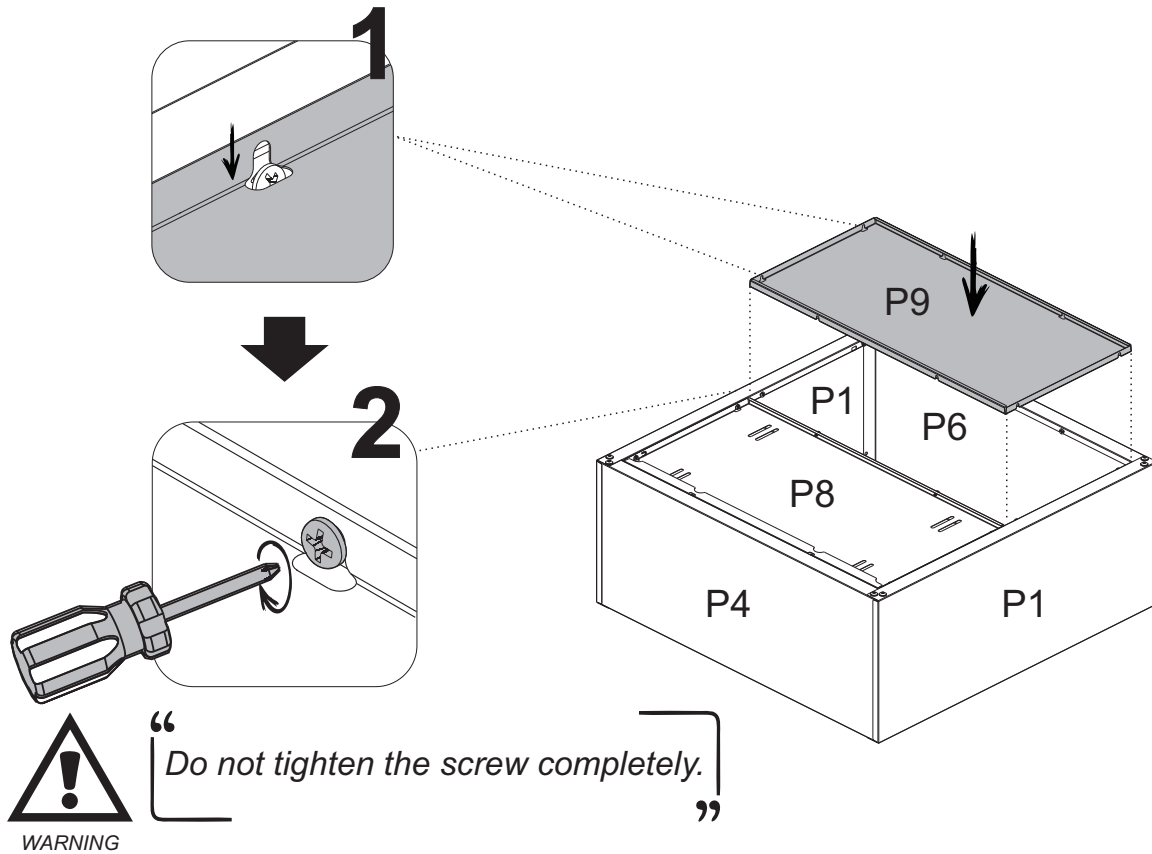
WARNING

“
To avoid possible
falls, this safety
claw should be
fixed.
”



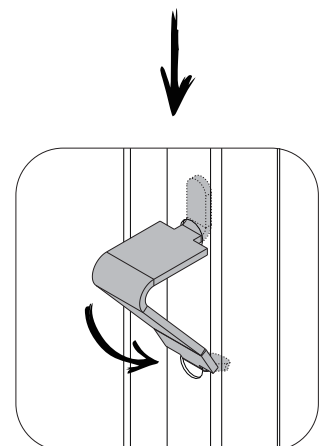
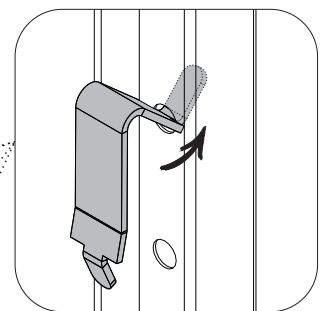
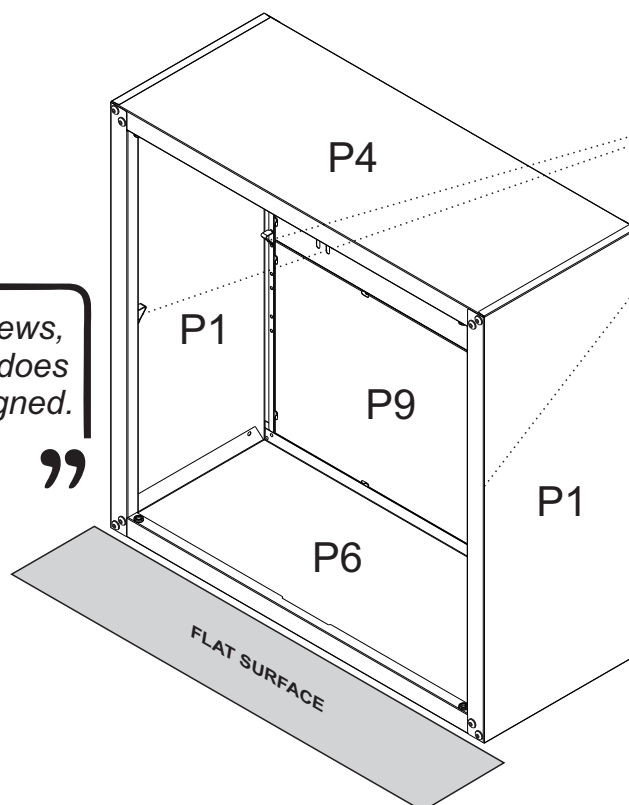
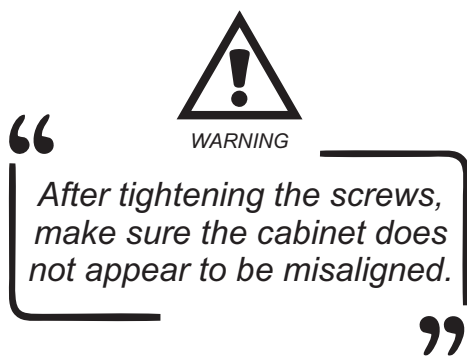
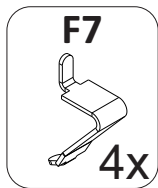
STEP 7

- 1 - Fit part **P9** inside parts **P1**, **P6** and **P8**.
Check that all fits are supported over the bolts
- 2 - After fitting the parts, screw the bolts until locked

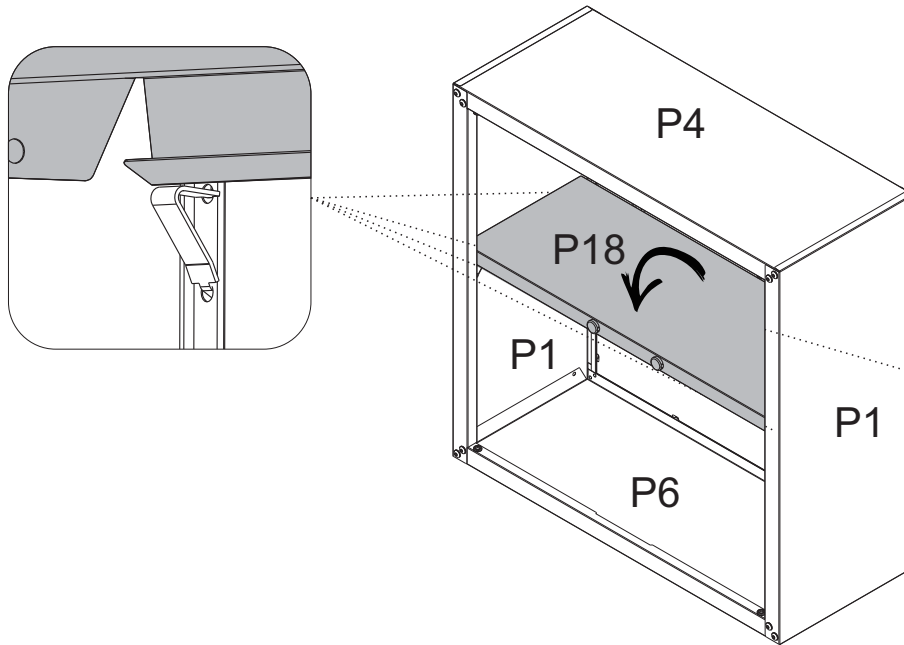
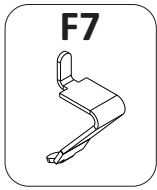


STEP 8

- 1 - Turn the cabinet to the position of use as shown in the picture.
Put it on a flat surface.
- 2 - Completely tighten all screws
- 3 - Fix **F7** to parts **P1**, as shown here below



- STEP 9**
- 1 - Place part **P18** diagonally so it fits inside the cupboard
 - 2 - Lean part **P18** to part **P1** and place it over the **F7** detailed in the illustration here below
 - 3 - Bend the other side of part **P18** down, leaning it over the left **F7**



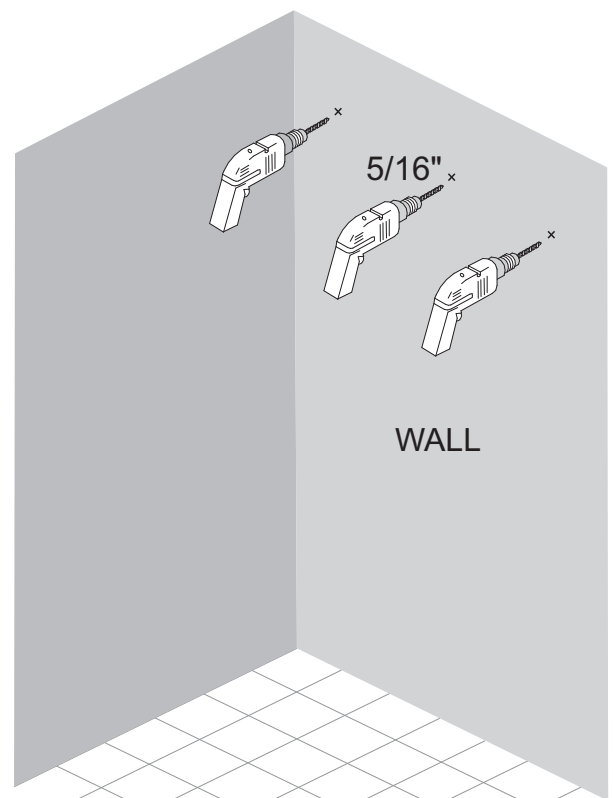
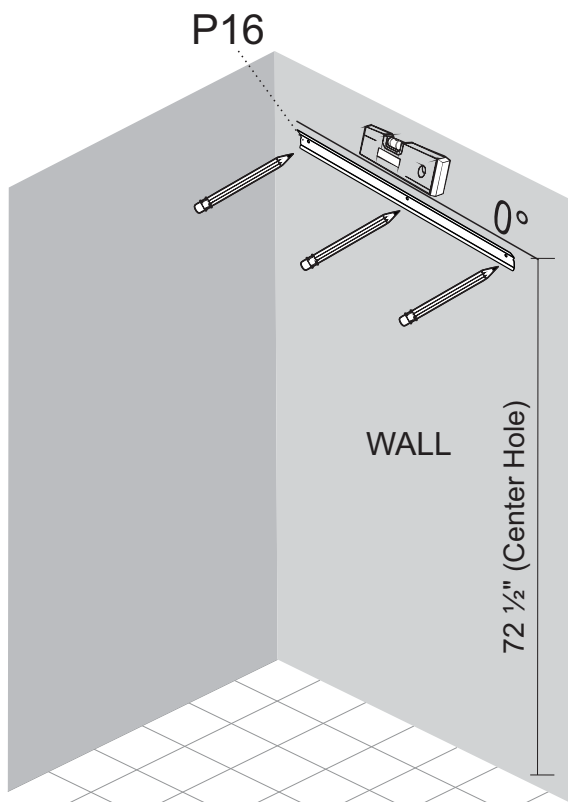
- STEP 10**
- 1 - Align part **P16** at an approximate height of 72 1/2" from the floor
 - 2 - Align the part using a level
 - 3 - Mark the wall using holes of part **P16**, aided by a pencil

- 4 - On the marked spots, drill the wall using a Driller with a 5/16" (8 mm) drill.



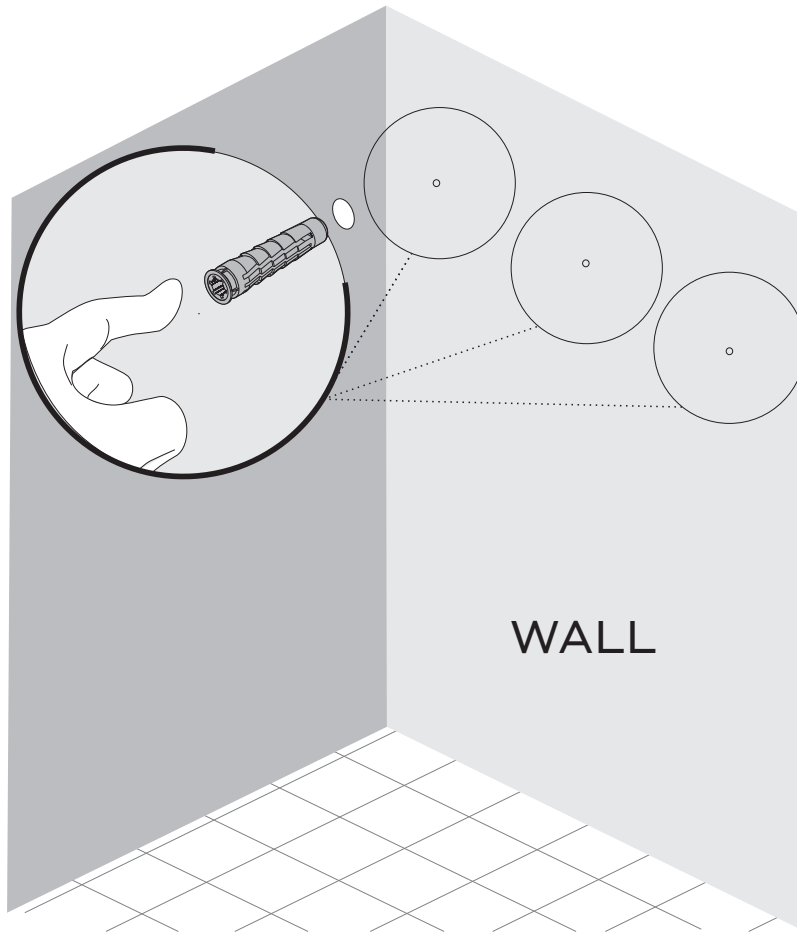
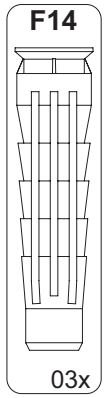
WARNING

“
The cupboard
must be fixed
onto the wall
”



STEP 11

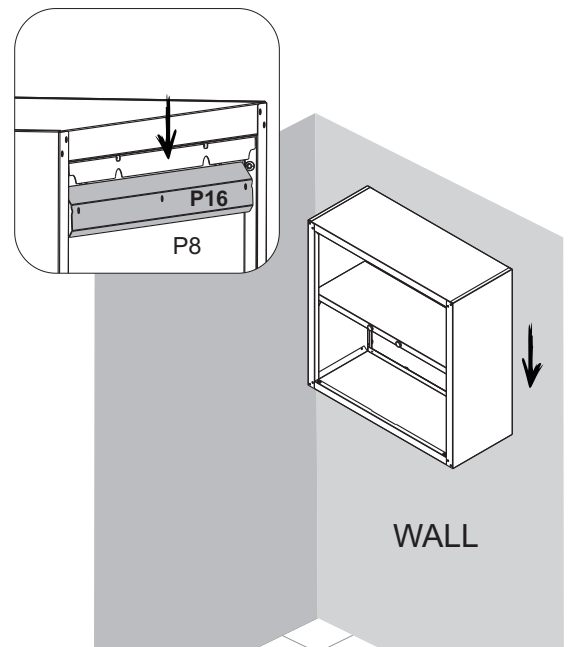
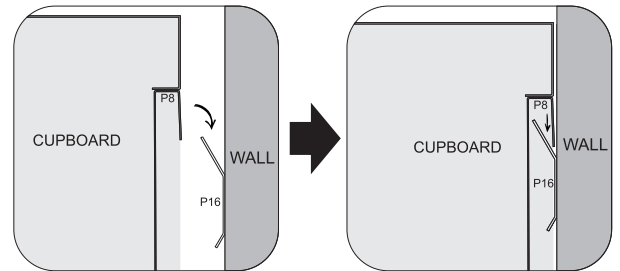
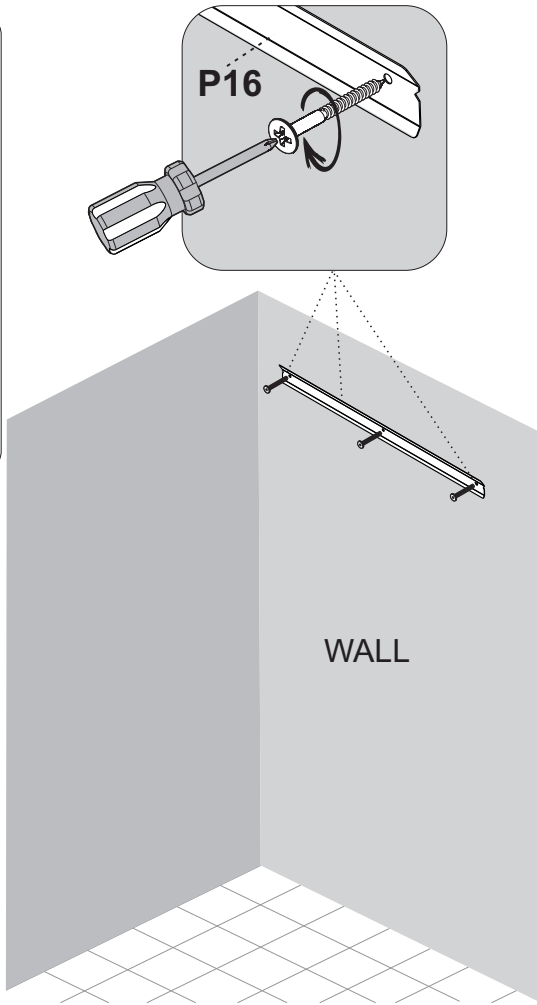
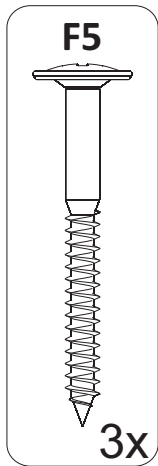
1 - Insert the 3 chuck **F14** into the drilled holes.



STEP 12

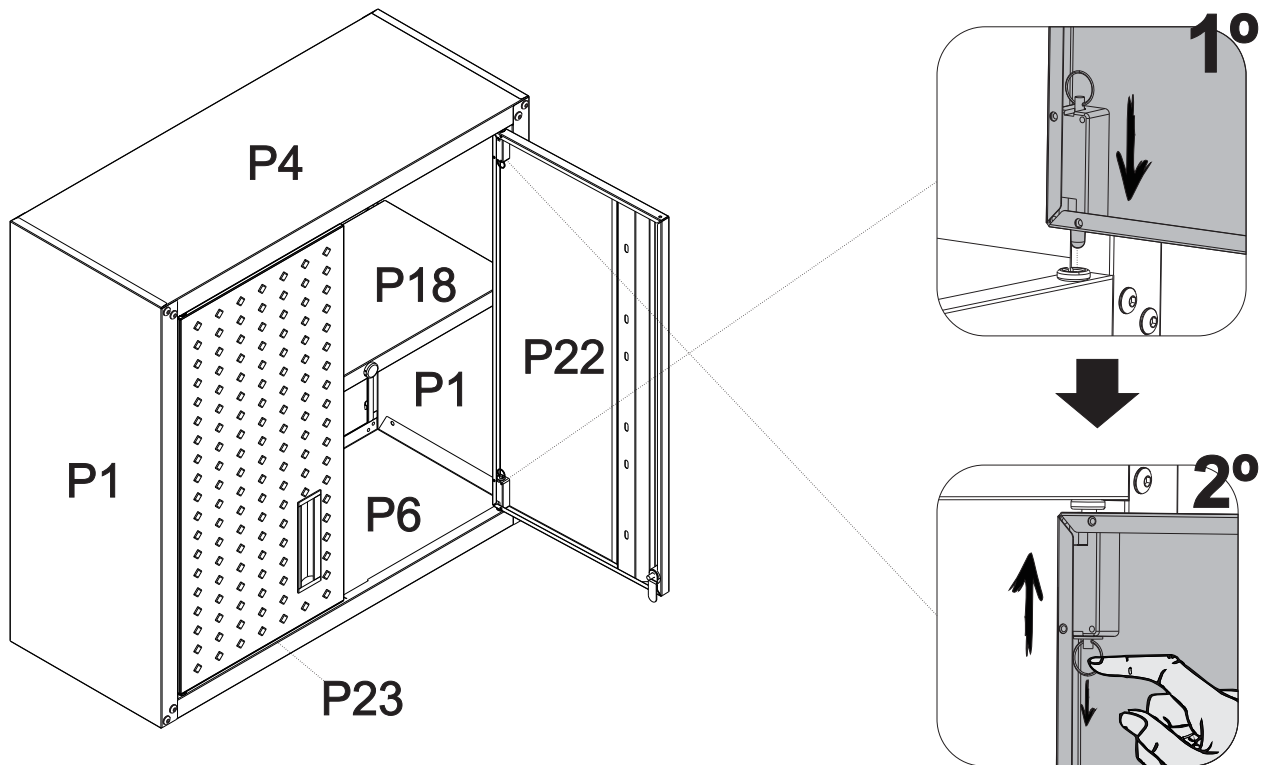
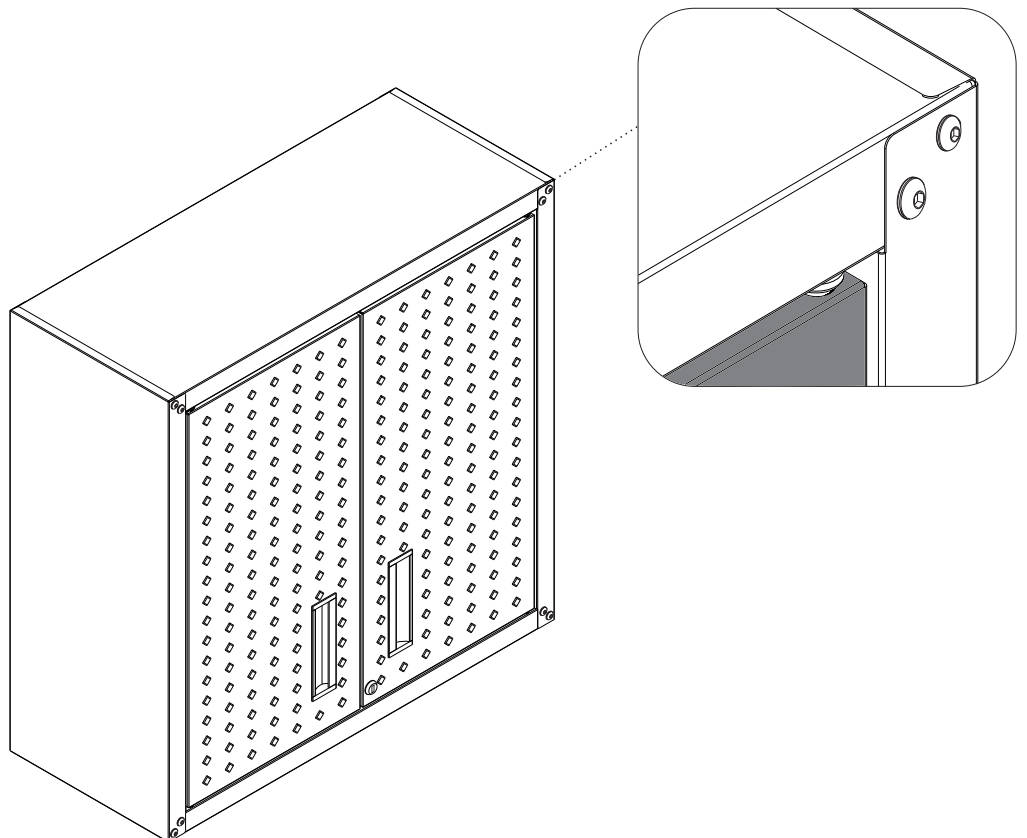
1 - Align part **P16** to the bushings and fix them with **F5**.

2 - Fix the cupboard to part **P16**, held to the wall. Part **P8** tab shall be used to this purpose



STEP 13

- 1 - To assembly the doors, fit door **P22** lower hinge bolt inside the bushing fixed in part **P6**
- 2 - Then, pull the pin of door **P22** upper hinge down; align the door and release the pin to fit the bushing fixed in part **P4**
- 3 - Repeat the step for part **P23**

**STEP 14**

WARRANTS TERMS

This product has the guarantee for a period of twelve (12) months, this limited warranty is effective from the date of the original consumer purchase. Proof of original purchase date is required to obtain service or replacement under this limited warranty. Once the defect of manufacture has been verified, the consumer should contact the store where he purchased the product. In the warranty period, any defective parts will be replaced free of charge by another of the same line and model. The installation and assembly in the residence of the customer is not the responsibility of the factory or the store. The assembly must correctly follow the instructions inside the packaging of each module.

ITEMS EXCLUDED FROM WARRANTIES

This limited warranty does not cover:

1. In-home service including, but not limited to, service calls to correct the installation of any Manhattan Comfort Fortress Garage products or to instruct the consumer on how to use or install them.
2. Damage resulting from improper handling or shipping of products, or products damaged by accident, alteration, misuse, abuse, fire, flood, improper installation, acts of God, neglect, corrosion, modification or mishandling.
3. All travel, transportation, shipping or freight fees to deliver replacement products or to return defective products.
4. Factory specified replacement parts or product replacement when your product is used in other than normal, single-family household use, such as a commercial environment or handled in a manner contrary to published user or operator instructions and/or installation instructions.
5. Aesthetic damages including scratches, dings, dents or cracks that do not affect the structural or functional capability of the product.
6. Any labor costs during the limited warranty period.
7. Damage resulting from improper loading beyond the specified maximum weight capacity outlined in the assembly instructions provided with the product including overloading of hooks, baskets, shelves, cabinets, and other Manhattan Comfort Fortress Garage accessories used with the product.
8. Surfaces damaged due to chemical interaction resulting in corrosion of paint or metal.
9. Replacement keys or locking mechanism.

The cost of repair or replacement under these excluded circumstances shall be borne by the customer.

DISCLAIMER OF IMPLIED WARRANTY

Implied warranties, including any implied warranty of merchantability or implied warranty of fitness for a particular purpose, are limited to one year or shortest period allowed by law.

LIMITATION OF REMEDIES; EXCLUSION OF INCIDENTAL AND CONSEQUENTIAL DAMAGES

Your sole and exclusive remedy under this limited warranty shall be product repair as provided herein. Manhattan Comfort Fortress Garage shall not be liable for incidental or consequential damages.

TAKING GOOD CARE OF YOUR CABINET

Cleaning and caring instructions:

Avoid dragging objects on top of the cabinet. They might scratch the finishing.

Only non-abrasive natural chemical products are recommended to clean your cabinet. Simply wipe the cabinet down with a wet cloth to remove the cleaning product excess.

Never clean the cabinet with scouring powders, steel scrubber pads or any other product which can scratch its surface.

Chemical products are not recommended.

Cabinet surfaces should not be covered with colored plastic or paper sheets.

Acid substances must remain properly stored in sealed containers.

Avoid the direct contact of water with other surfaces, as the humidity can affect the durability of the cabinets.

Avoid cabinets exposure to direct Sun light. Drapers suggested.

This guidance should be saved for future reference, if necessary.