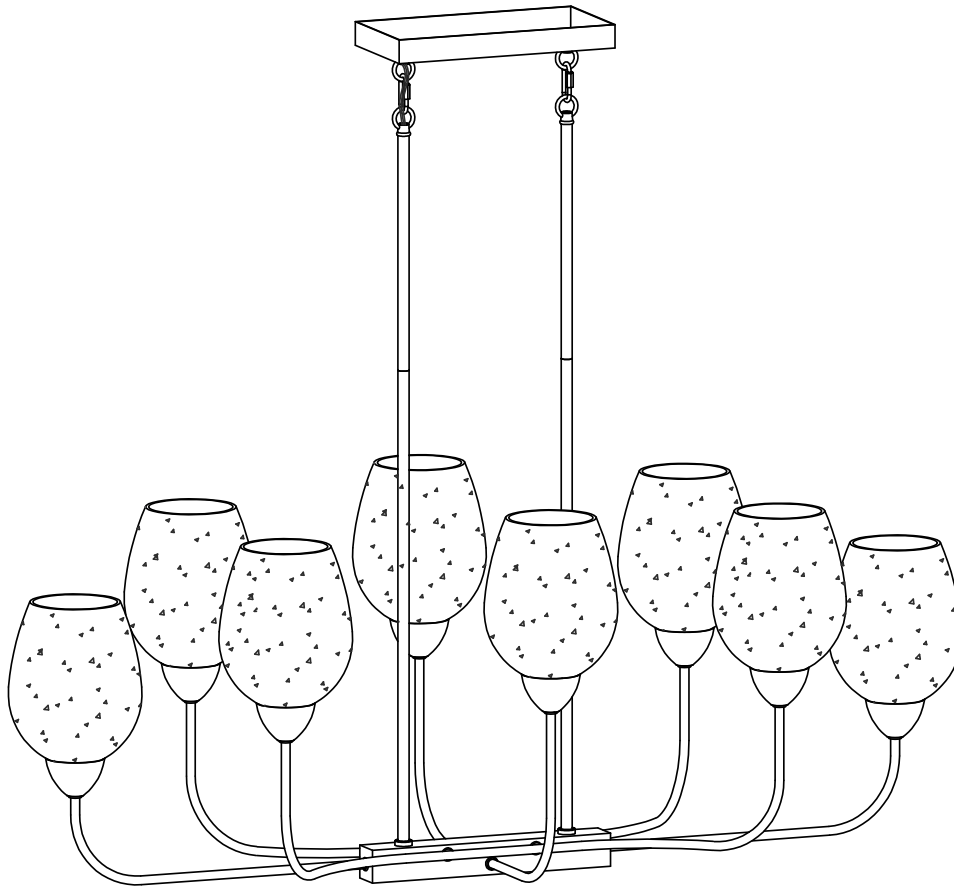




**WARNING (To reduce the risk of fire, electric shock, or personal injury):**

1. We suggest installation by a **licensed electrician**.
2. Please read the instruction carefully and save it as you may need it at a later time.
3. Before you start, **NEVER** attempt any work without shutting off the electricity until the work is done.
  - » Go to the main fuse, or circuit breaker, box in your home. Place the main power switch in the “**OFF**” position.
  - » Place the wall switch in the “**OFF**” position.
4. Mounting surface should be clean, dry, flat, strong enough and 1/4” larger than the canopy on all sides. Any gaps between the mounting surface and canopy exceeding 3/16” should be corrected as required.
5. Make sure that the ceiling or wall can stand the weight of the lamp before installation.
6. Make sure the voltage you are using is **120V**. The maximum wattage is **Type A, Max 60W** per bulb.
7. Keep the lamp away from acidic and alkaline substances in case of damaging the surface of the lamp.
8. When replacing bulbs, you should turn off or unplug the lamp and you must wait until it is cool as bulbs get hot quickly.
9. The safety instructions appearing in this manual are not meant to cover all possible conditions that may occur. It must be understood that common sense, caution and care must be used with any electrical products.

**IMAGE FOR FINISHED PRODUCT:**



**TOOLS REQUIRED (NOT INCLUDED):**

Before starting assembly and installation please prepare the needed tools as below picture

Ladder	Philips Head or Flat Blade Screwdriver	Electrical Tape	Pliers	Wire Cutter/Stripper

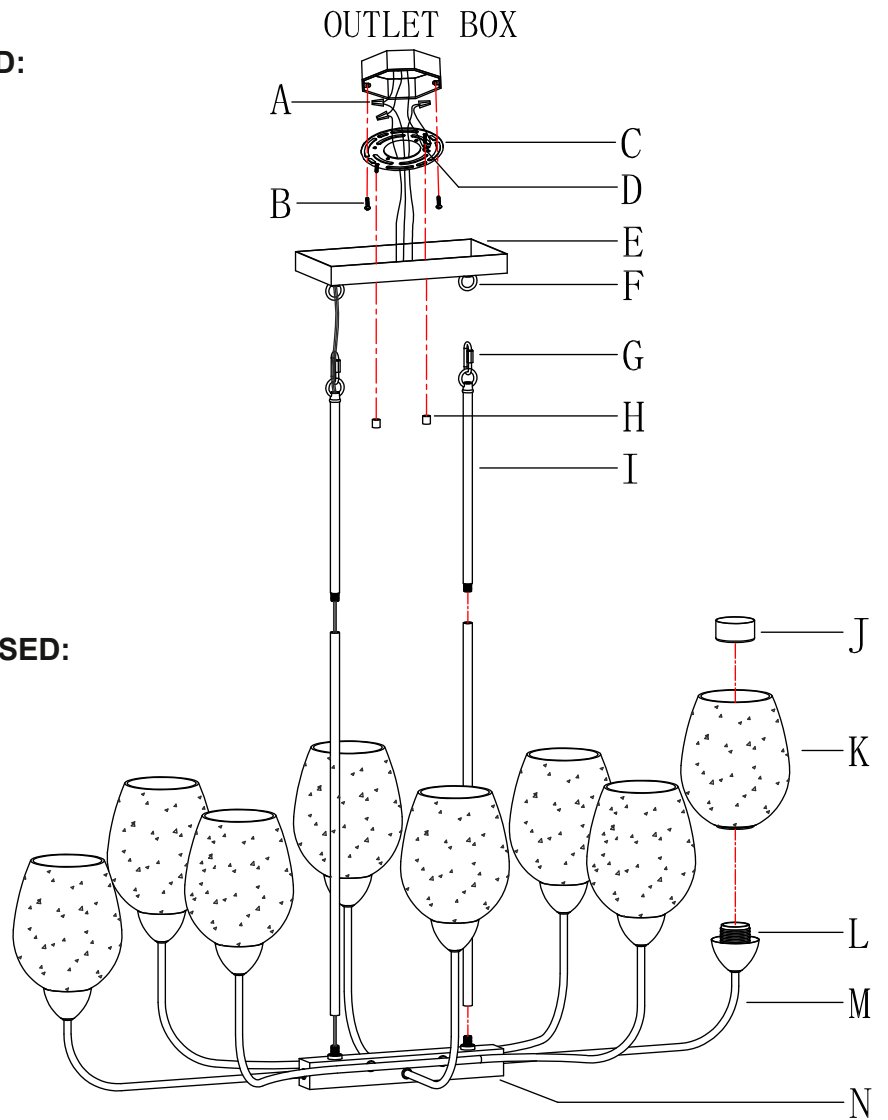


### PARTS TYPE & QTY INCLUDED:

- (C) Mounting plate(1)
- (D) Green ground screw (1)
- (E) Canopy (1)
- (F) Loop (4)
- (G) Quick link (2)
- (H) Ball nut (2)
- (I) Tube
- (J) Socket ring (8)
- (K) Lampshade (8)
- (L) Socket (8)
- (M) Arm (8)
- (N) Frame (1)

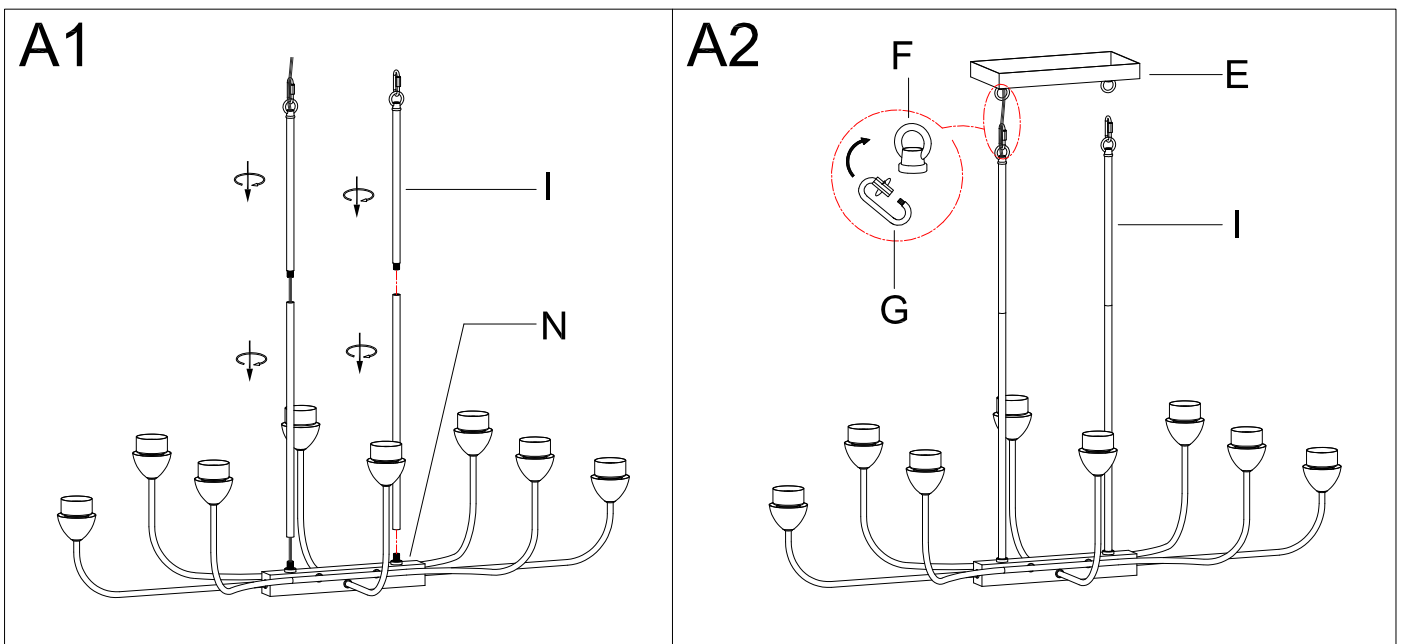
### ACCESSORIES & QTY ENCLOSED:

- (A) Wire connector (3)
- (B) Mounting screw (2)



### ASSEMBLY & INSTALLATION INSTRUCTIONS:

1. Carefully remove the fixture from the carton and check that all parts and accessories are included as shown in the above illustration.
2. Make pre-installation





- Step A1** » 1) Carefully pass the fixture wires through one side of tubes (I) and loops (F).  
2) Screw tubes (I) to top of frame (J).

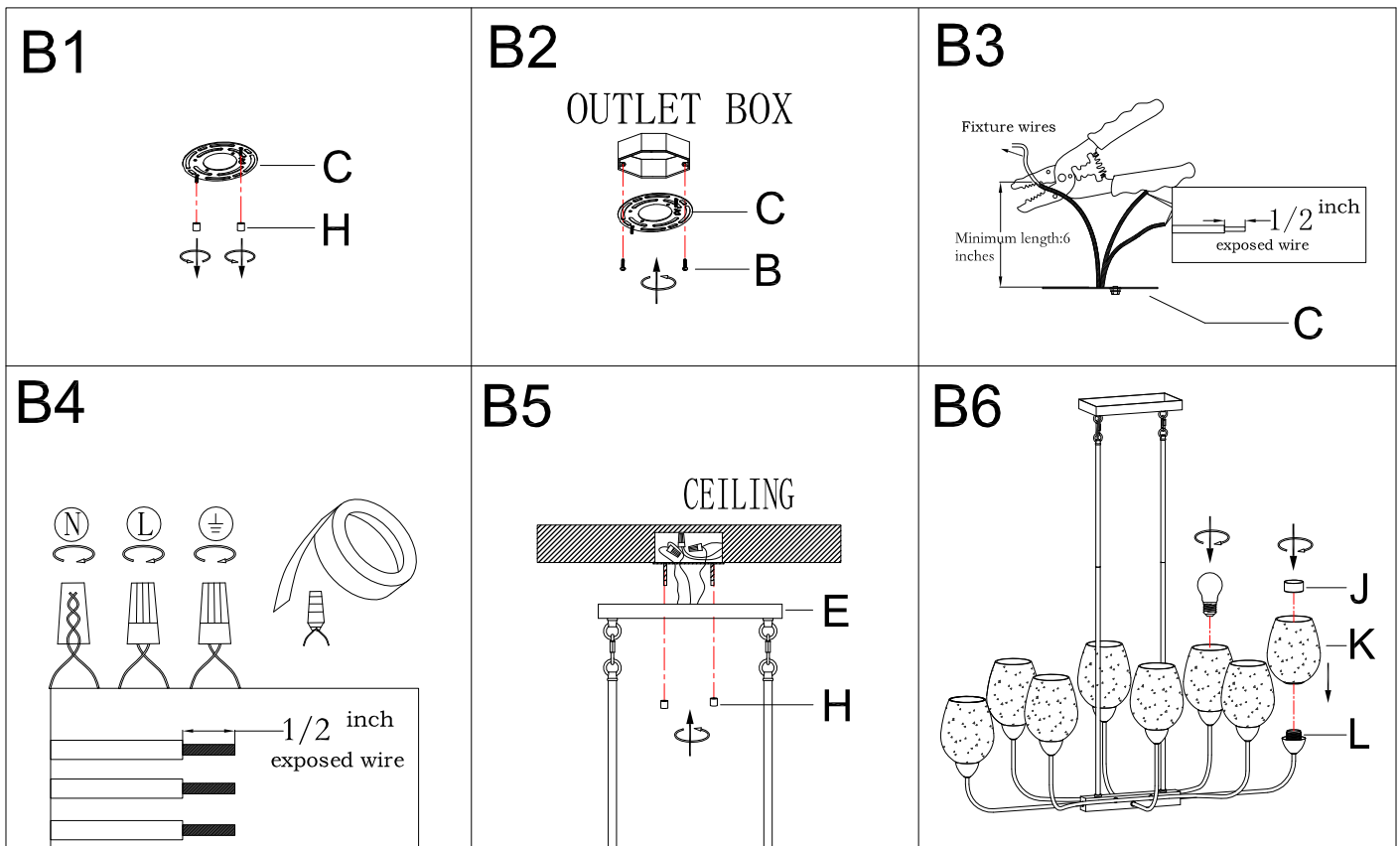
- Step A2** » Open quick links (G). Attach quick links (G) to loops (F) on canopy (E) and on the top of tubes (I). Close quick links (G).

### 3. Turn off power

**Before you start the installation, NEVER attempt any work without shutting off the electricity until the work is done.**

- » Go to the main fuse, or circuit breaker, box in your home. Place the main power switch in the "OFF" position.
- » Place the wall switch in the "OFF" position.

### 4. Make installation



- Step B1** » Unscrew ball nuts (H) from mounting plate (C).

- Step B2** » Attach mounting plate (C) to the outlet box with mounting screws (B).

**Note: the side of mounting plate (C) marked "GND" must face out.**

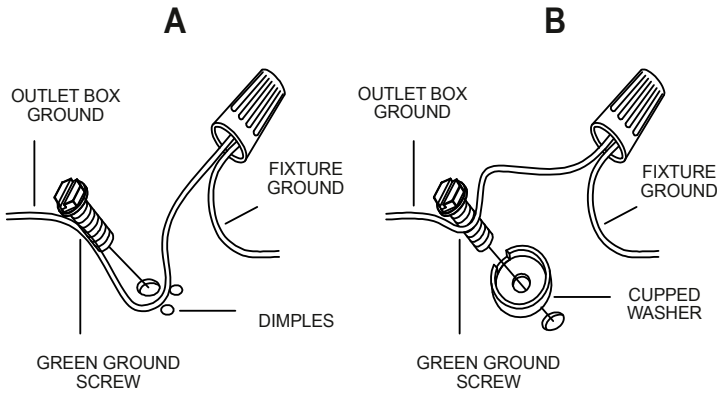
- Step B3** » If needed, shorten the length of fixture wires. At this point, the remaining wire length measured above canopy (E) is at least 6".



**Step B4 » Make wire connections**

Connect wires as shown in the charts below. **PLEASE NOTE THAT GROUND WIRE IS BARE COPPER WIRE, NEVER CONNECT OTHER WIRES TO GROUND WIRES.**

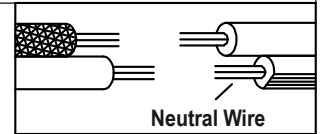
Connect ground wires according to the chart below



Connect wires according to the chart below

Connect Black or Red Supply Wire to:	Connect White Supply Wire to:
Black	White
*Parallel cord (round & smooth)	*Parallel cord (square & ridged)
Clear, Brown, Gold or Black without tracer	Clear, Brown, Gold or Black with tracer
Insulated wire (other than green) with copper conductor	Insulated wire (other than green) with silver conductor

\* Note: When parallel wires (SPT I & SPT II) are used. The neutral wire is square shaped or ridged and the other wire will be round in shape or smooth (see illus.)



- **Twist wires together with plastic wire connectors until tightly joined.**
- **Wrap each connector with approved electrical tape and sure that no wire strands are exposed.**
- **Carefully tuck all wires into the outlet box.**

**Step B5 » Raise canopy (E) to the ceiling and secure canopy (E) in place by tightening ball nuts (H) onto pre-assembled screws on mounting plate (C).**

**NOTE: canopy (E) should be snug against the ceiling with ball nuts (H).**

**If not, remove canopy (E), adjust the threaded length of pre-assembled mounting screws on mounting plate (C):**

- **First, unscrew the pre-assembled hex nuts.**
- **Then, screw the pre-assembled mounting screws in or out of mounting plate (C).**
- **When the secure length is achieved, tighten the pre-assembled hex nuts and back to Step B5.**

**Step B6 » 1) Remove socket rings (J) from sockets (L).**

2) Carefully place lampshades (K) onto sockets (L), and then screw socket rings (J) to sockets (L) to secure them.

• **When installing socket rings (J), the orientation of socket rings (J) is that the side of rolled edge touches sockets (L)**

3) Install bulbs (not included) (Please do not exceed the maximum wattage recommended on the socket.)

**5. Check that everything is installed properly, then you can turn on the light. We hope you enjoy your new lighting!**

**ORDERING PARTS**

Keep this sheet for future reference in case you need to order replacement parts. All parts for this fixture can be ordered from the place of purchase. Be sure to use exact wording from illustration when ordering parts.

**CLEANING**

To clean, wipe the fixture with a soft cloth. Clean glass with a mild cleaner (such as mild and non-abrasive soap). Do not use abrasive materials such as scouring pads or powders, steel wool or abrasive paper.