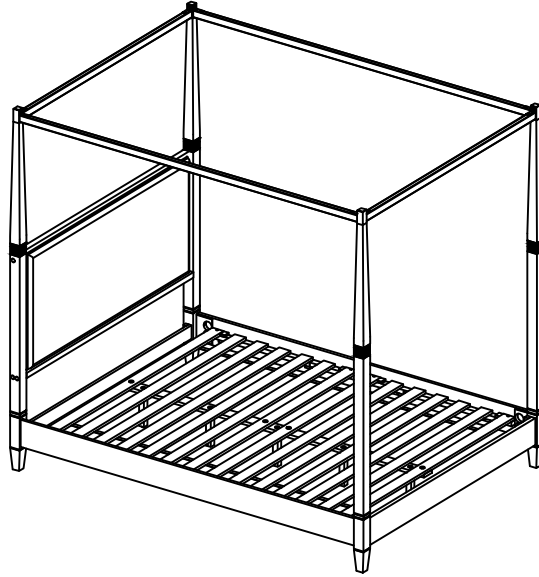


ASSEMBLY INSTRUCTIONS

QUEEN BED

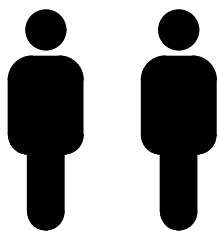


Please read below before assembly

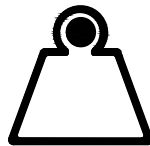
- Assemble the product on a flat, soft surface such as a carpet or cloth to prevent scratching the finish.
- Do not discard any content until assembly is complete to avoid accidentally discarding small parts or hardware.
- Take out all parts and hardware from box.
- Failure to follow these instructions may cause the bolts to misalign during assembly.

DISCLAIMERS:

- WHEN PROPERLY ASSEMBLED, THIS ITEM IS SAFE FOR INTENDED USE. SELLER IS NOT LIABLE FOR ANY DAMAGES RESULTING FROM ITEM BEING IMPROPERLY ASSEMBLED AFTER PURCHASE.
- BOLTS MAY LOOSEN DURING NORMAL EVERYDAY USE. THEY SHOULD BE INSPECTED AT LEAST EVERY 3 MONTHS AND RE-TIGHTENED AS NEEDED TO PREVENT DAMAGE OR INJURY, AND ENSURE STABILITY.



PEOPLE NEEDED



600

lbs per bed

WEIGHT LIMIT

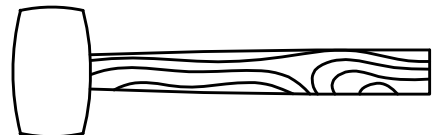


ESTIMATED TIME

TOOLS REQUIRED (NOT INCLUDED)


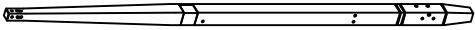
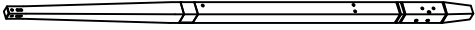
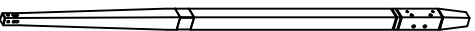
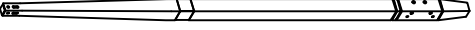
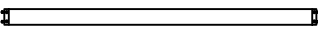
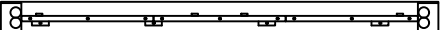
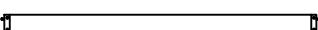
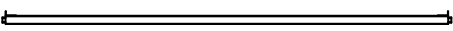


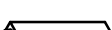
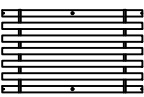


PHILLIPS HEAD SCREW DRIVER

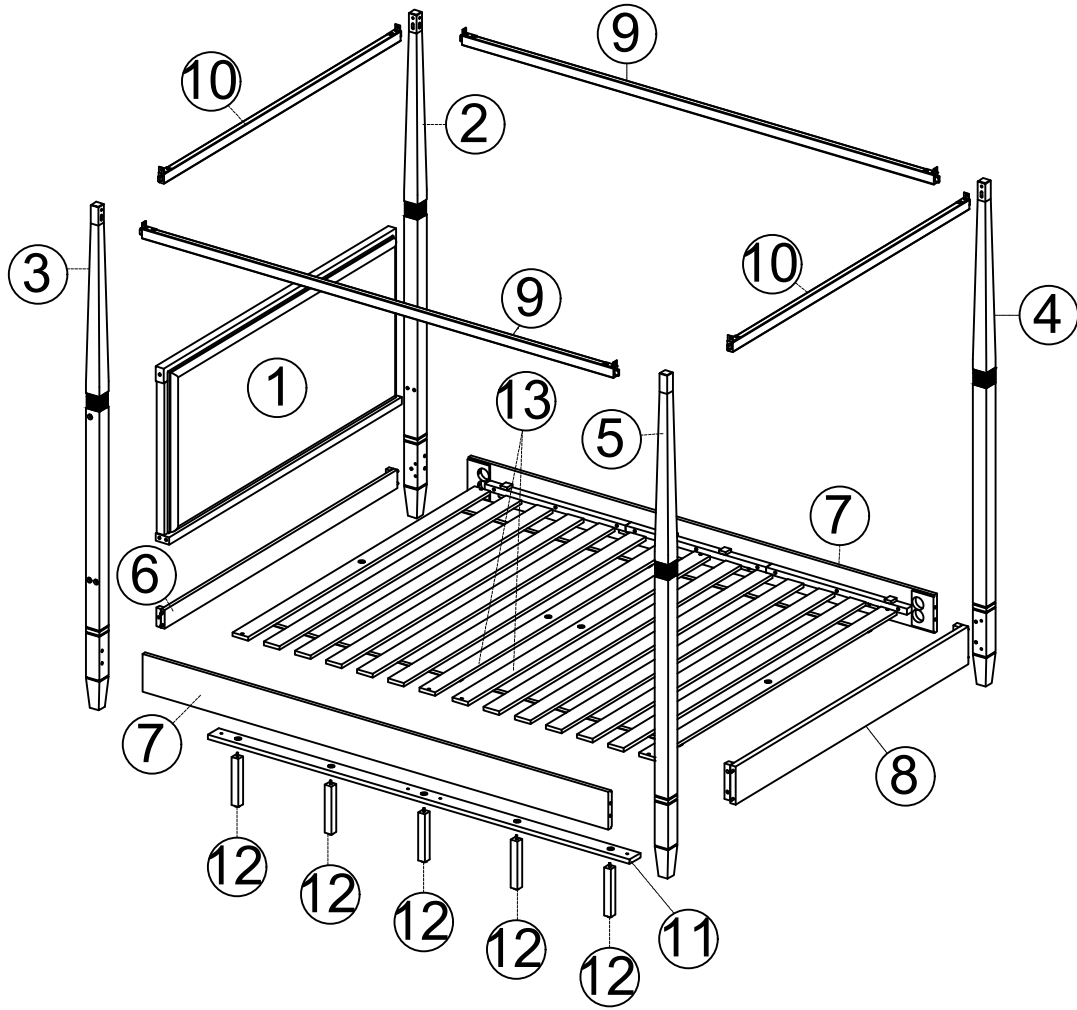


RUBBER Mallet













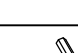


PARTS LIST

①	HEADBOARD PANEL		1 PC
②	RIGHT HEADBOARD POST		1 PC
③	LEFT HEADBOARD POST		1 PC
④	RIGHT FOOTBOARD POST		1 PC
⑤	LEFT FOOTBOARD POST		1 PC
⑥	HEADBOARD STRETCHER		1 PC
⑦	SIDE RAIL		2 PCS
⑧	FOOTBOARD		1 PC
⑨	CANOPY LONG RAIL		2 PCS
⑩	CANOPY SHORT RAIL		2 PCS
⑪	MIDDLE SUPPORT		1 PC
⑫	SUPPORT LEG		5 PCS
⑬	SLAT ROLL		2 SETS

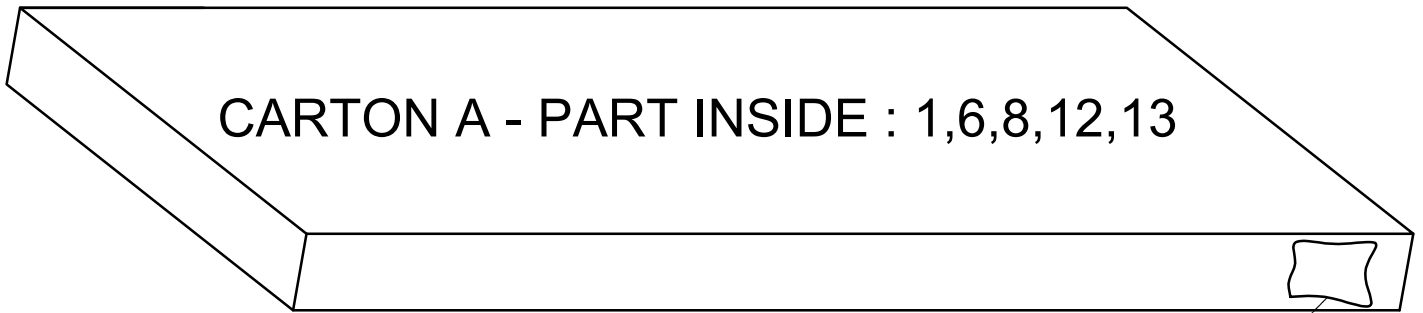
PARTS LIST



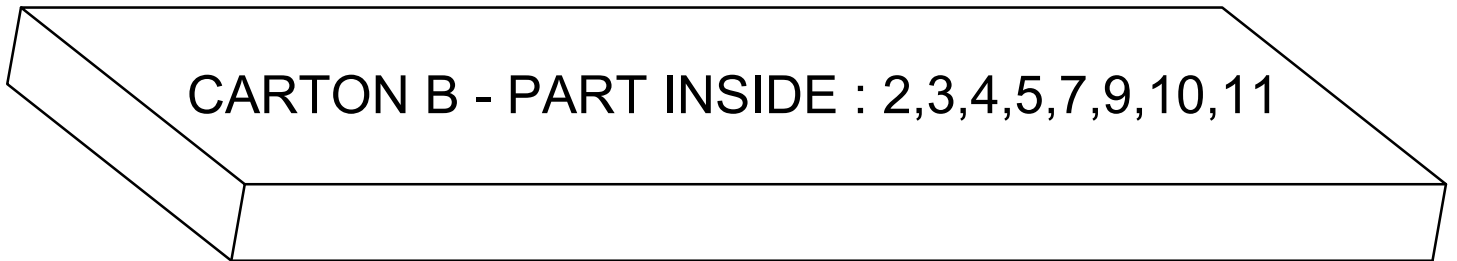
HARDWARE LIST

A	BOLT - Ø5/16" x 1-3/4"		6 PCS
B	BOLT - Ø5/16" x 2-3/4"		6 PCS
C	BOLT - Ø1/4" x 1/2"		8 PCS
D	BOLT - Ø1/4" x 1-1/4"		4 PCS
E	STUD BOLT - Ø5/16" x 3-1/2"		8 PCS
F	LARGE LOCK WASHER - Ø5/16" x 1/2"		12 PCS
G	LARGE FLAT WASHER - Ø5/16" x 5/8"		12 PCS
H	SMALL LOCK WASHER - Ø1/4" x 1/2"		4 PCS
I	SMALL FLAT WASHER - Ø1/4" x 5/8"		4 PCS
J	WOODEN PLUG - Ø3/4" x 3/8"		6 PCS
K	CRESCENT WASHER - Ø5/16"		8 PCS
L	HEXAGON NUT - Ø5/16"		8 PCS
M	WOOD SCREW - Ø1/8" x 1-1/8"		8 PCS
N	ALLEN KEY		1 PC
O	WRENCH		1 PC




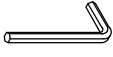
STEP 1 LOCATE HARDWARE PER BELOW DRAWING



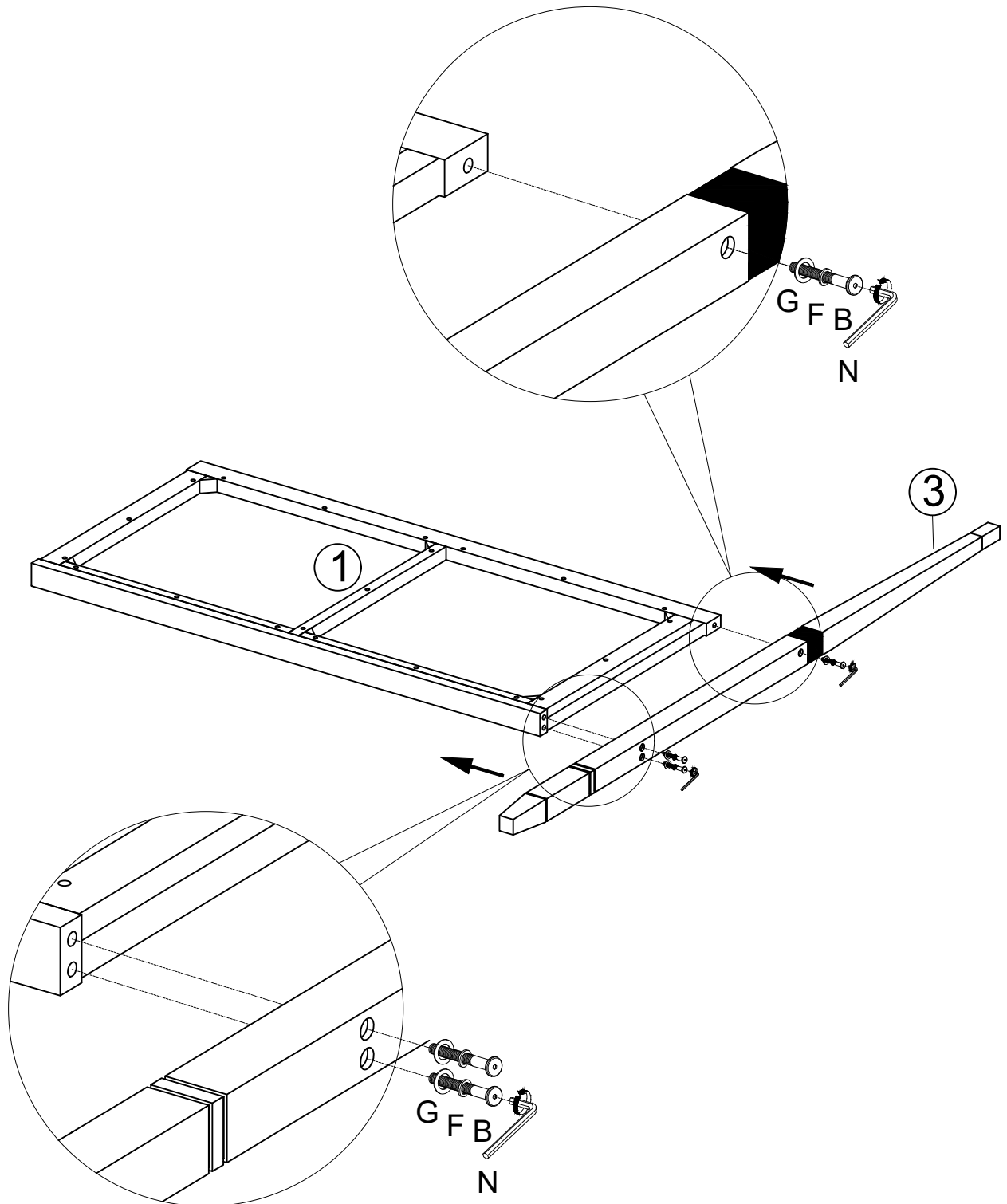
HARDWARE








STEP 2

B		3 PCS
F		3 PCS
G		3 PCS
N		1 PC

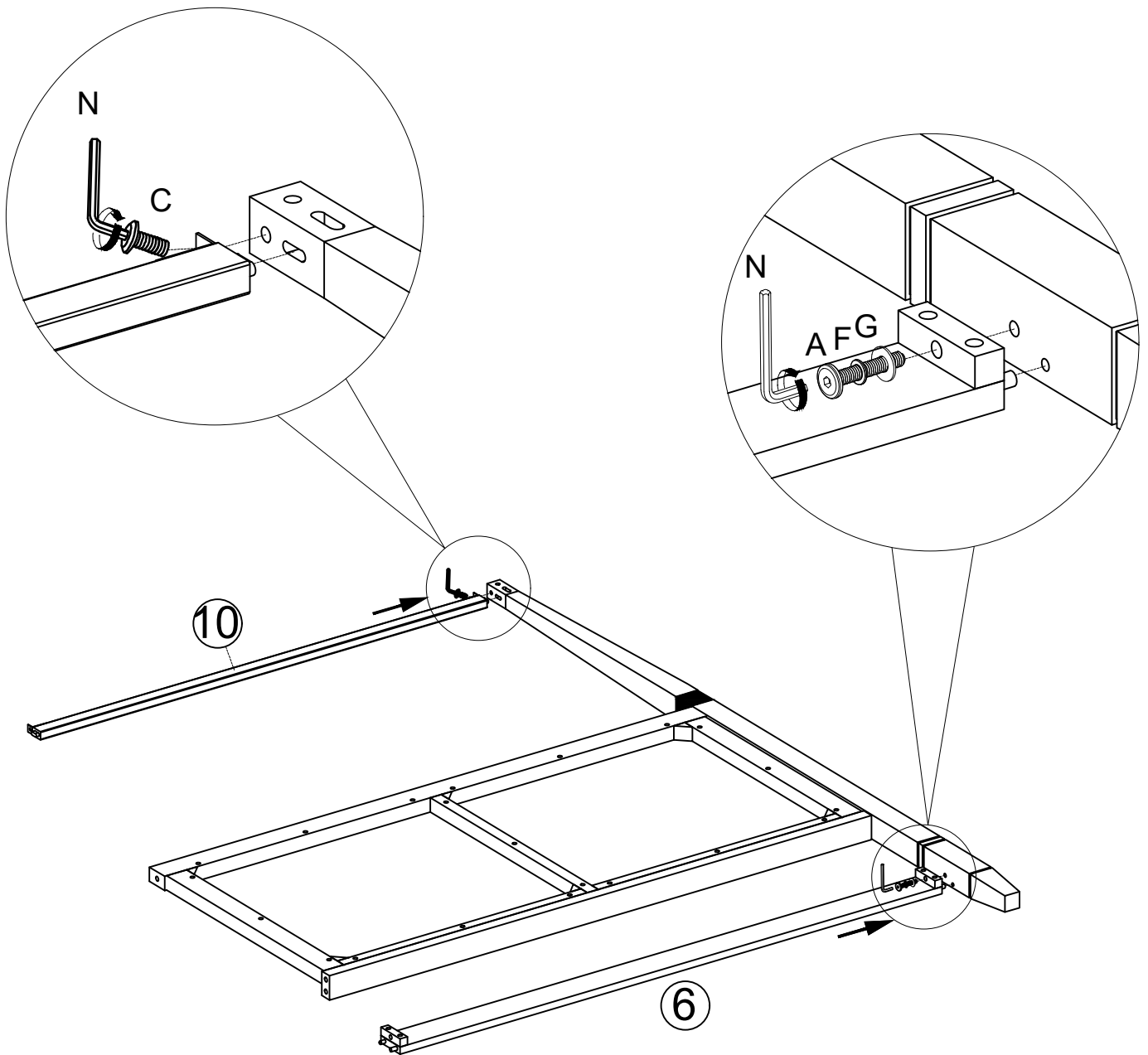
NOTE: PLEASE FLIP THE FRONT FACE UP









STEP 3

A		1 PC
C		1 PC
F		1 PC
G		1 PC
N		1 PC

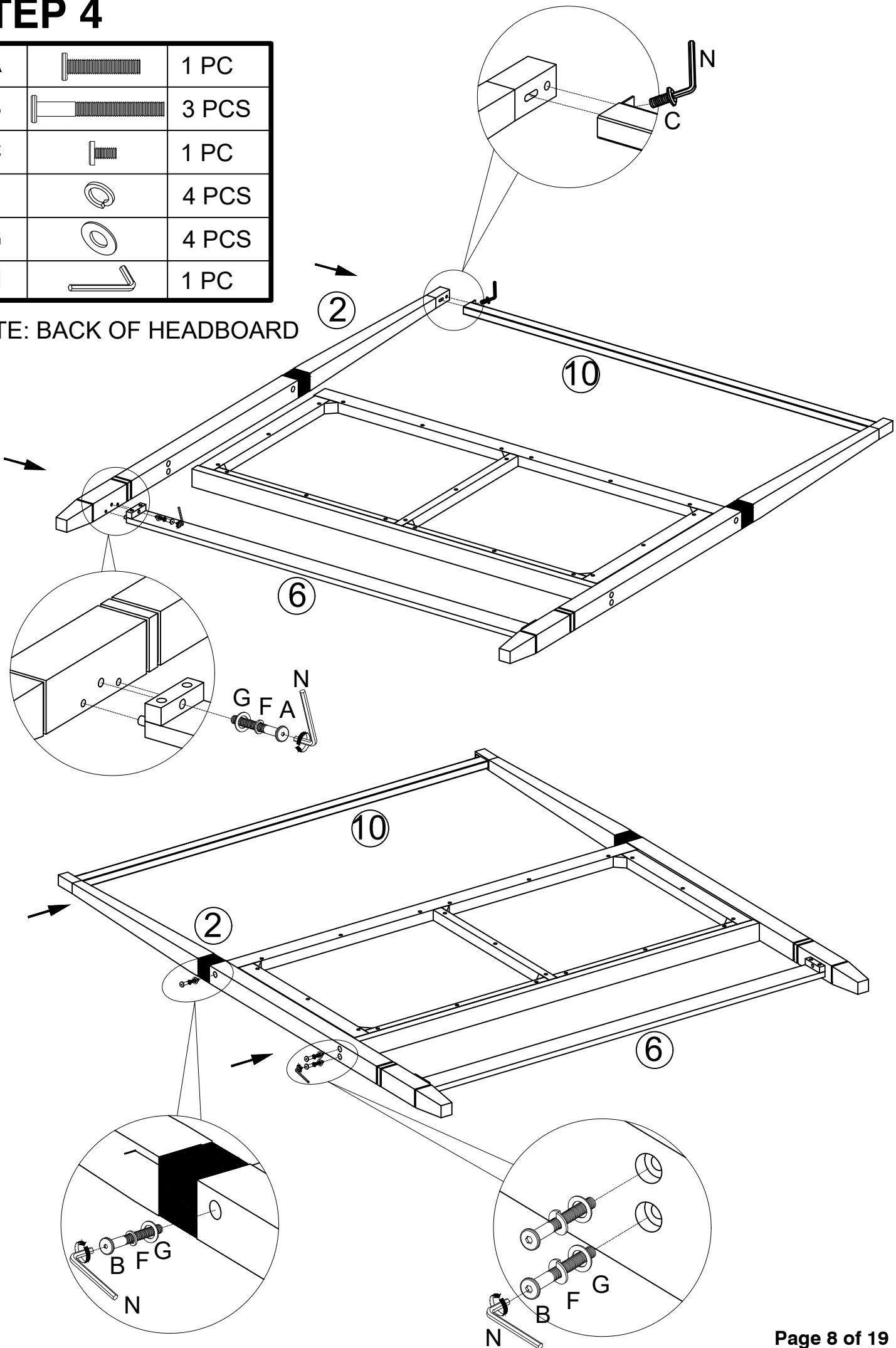
NOTE: BACK OF HEADBOARD




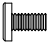



STEP 4

A		1 PC
B		3 PCS
C		1 PC
F		4 PCS
G		4 PCS
N		1 PC

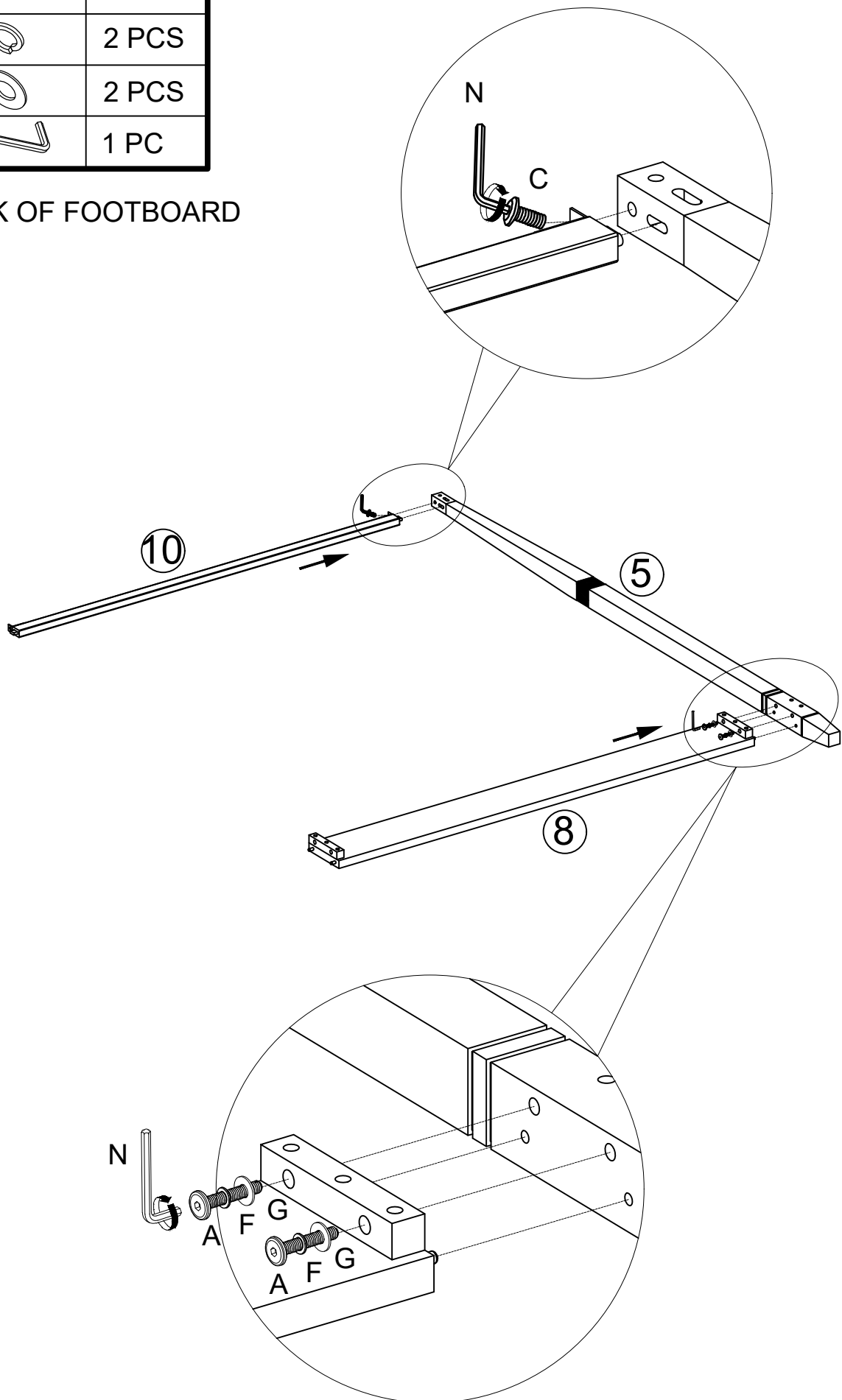
NOTE: BACK OF HEADBOARD








STEP 5

A		2 PCS
C		1 PC
F		2 PCS
G		2 PCS
N		1 PC

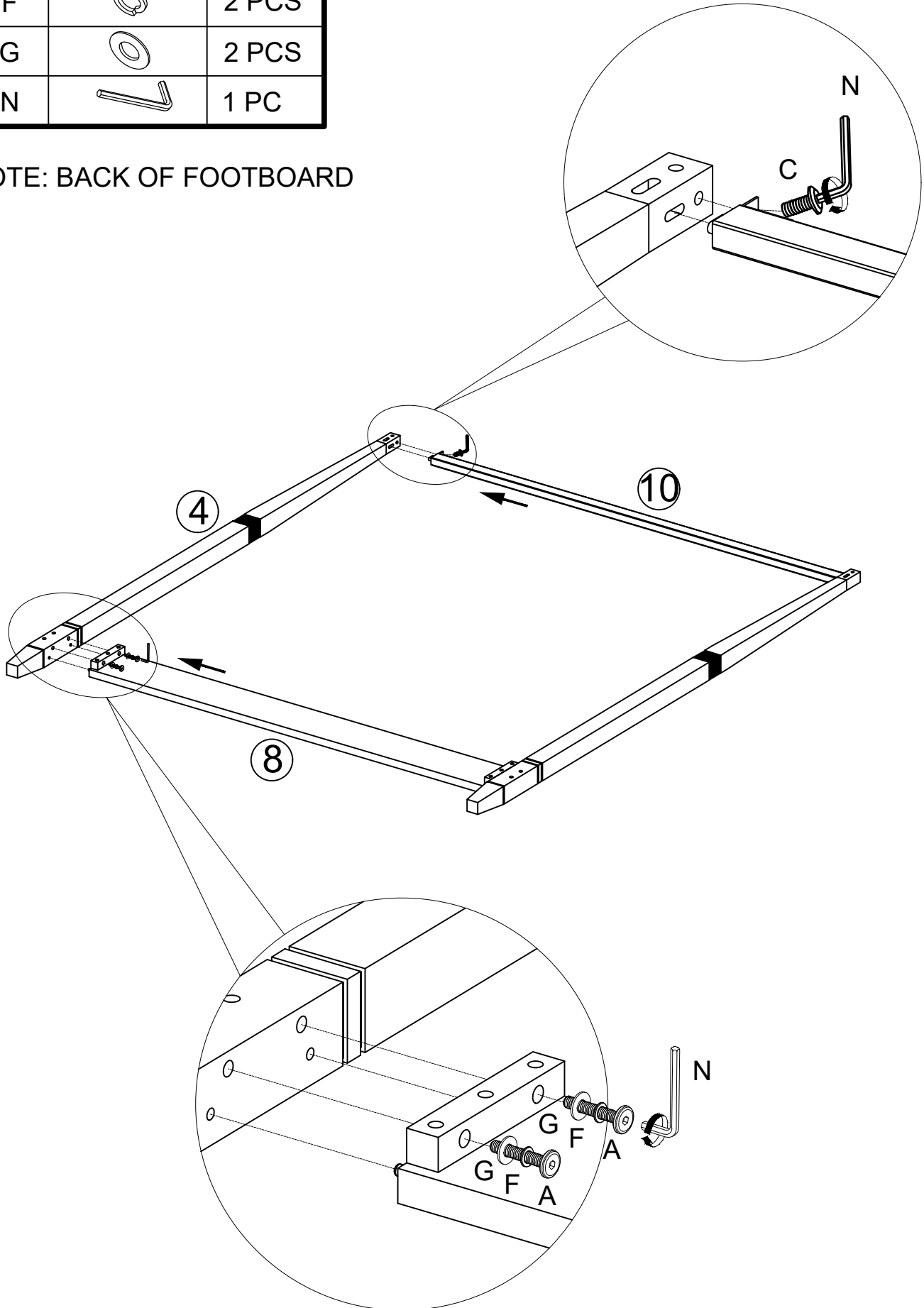
NOTE: BACK OF FOOTBOARD



STEP 6

A		2 PCS
C		1 PC
F		2 PCS
G		2 PCS
N		1 PC

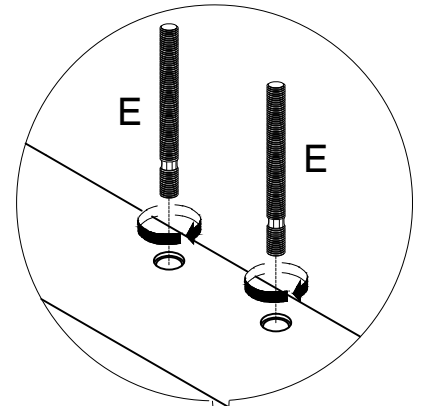
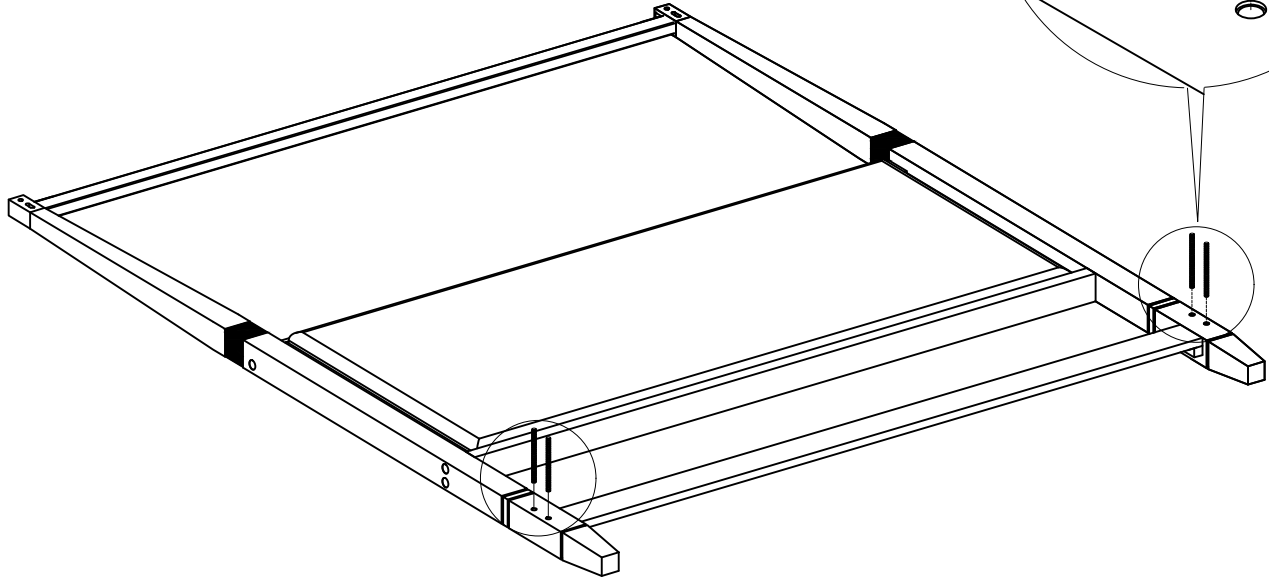
NOTE: BACK OF FOOTBOARD



STEP 7

E		4 PCS
---	---	-------

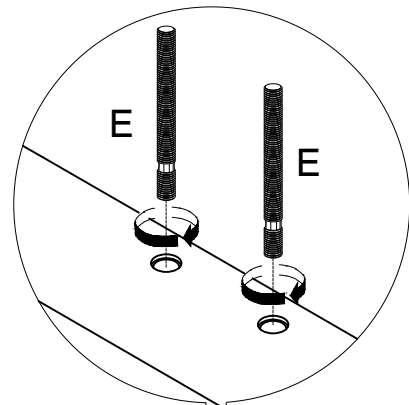
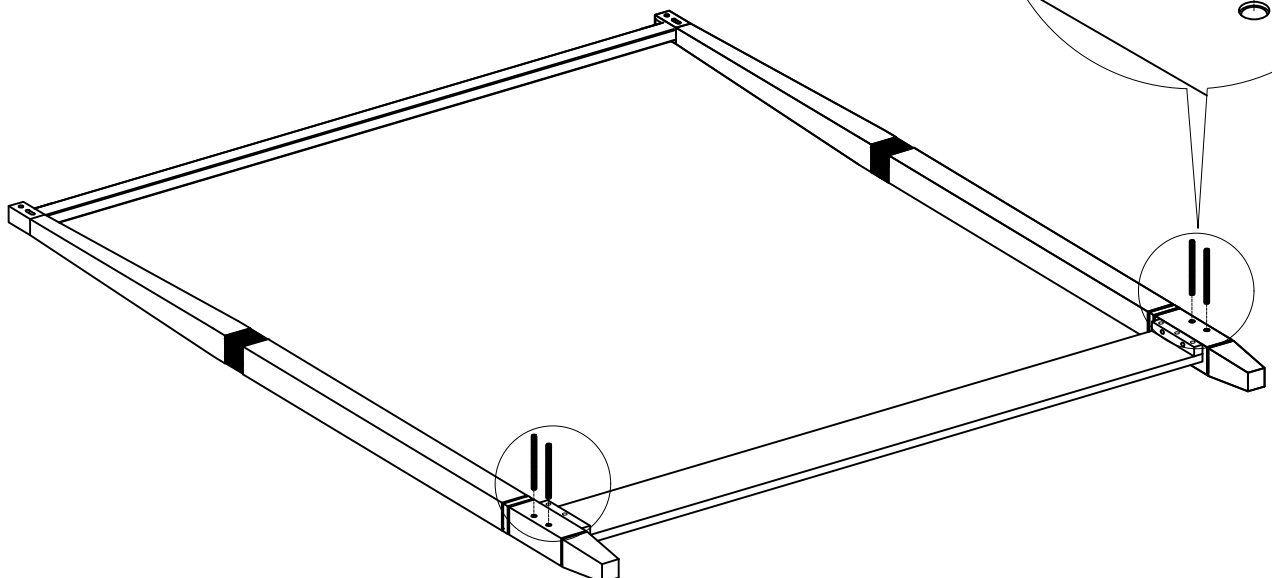
NOTE: HEADBOARD FRONT



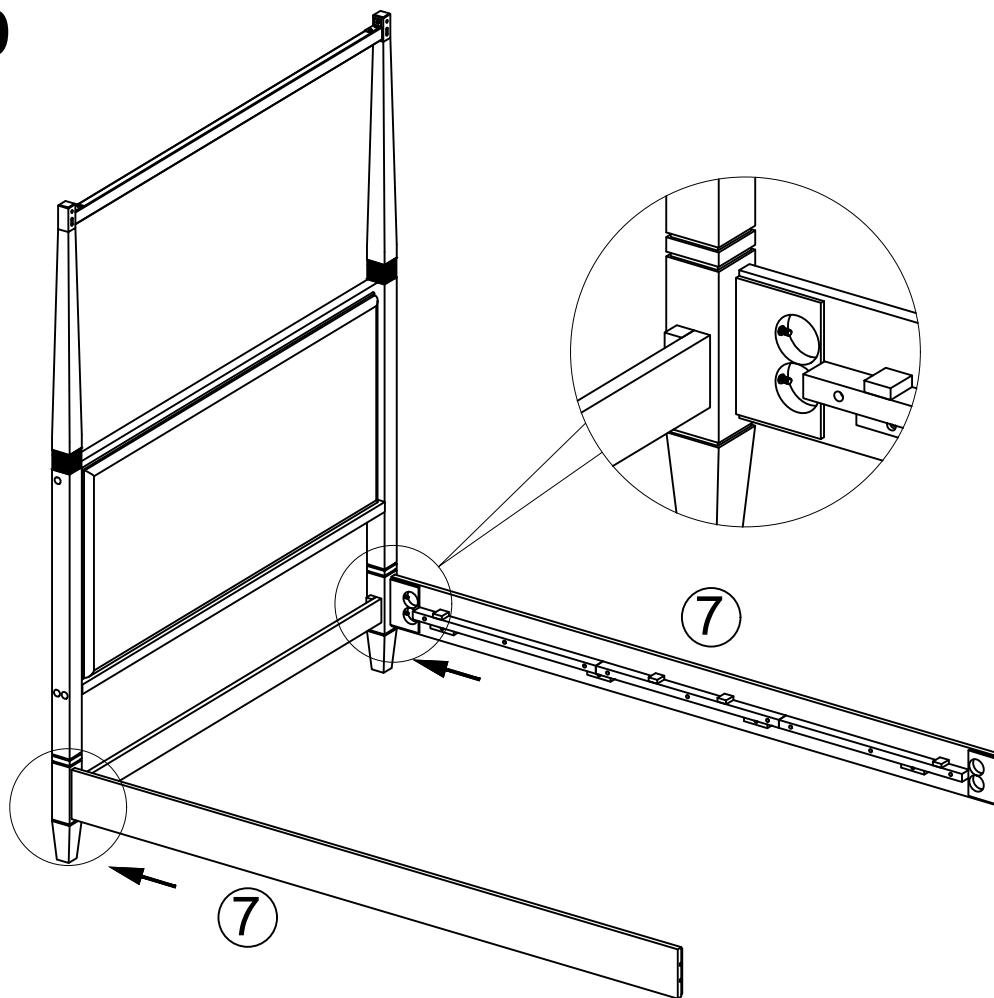
STEP 8

E		4 PCS
---	---	-------

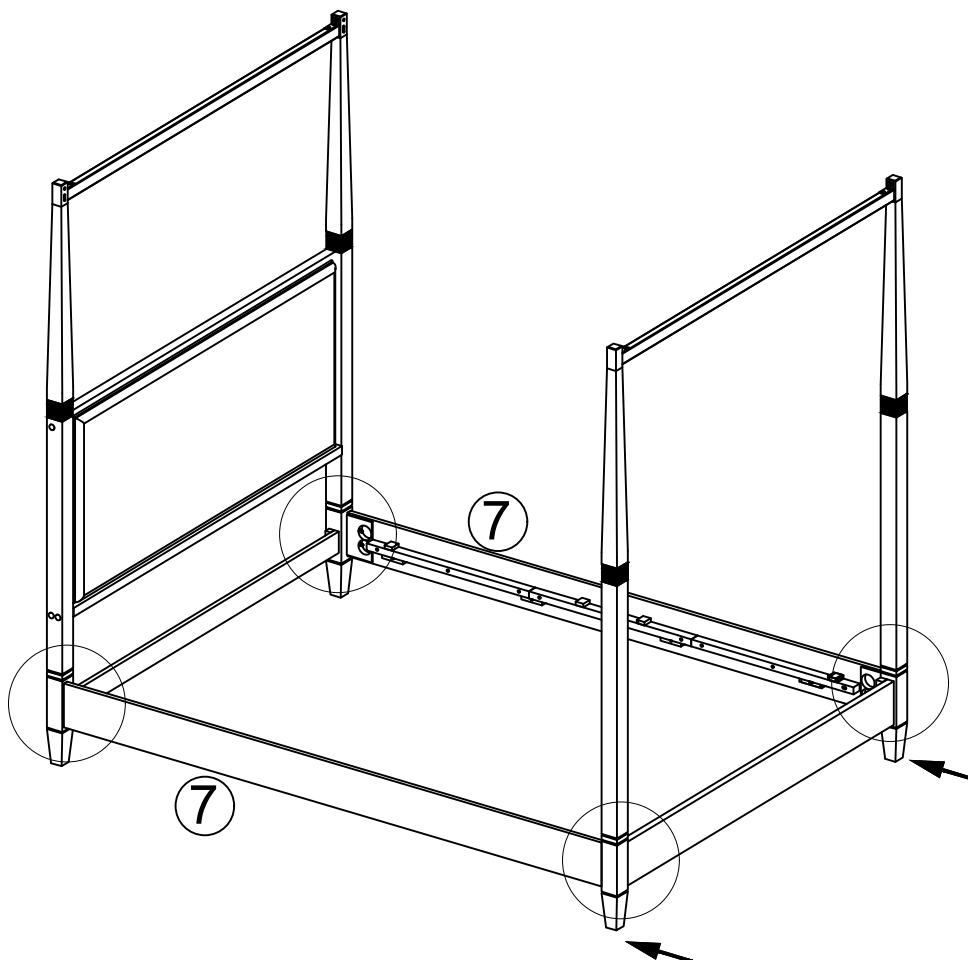
NOTE: BACK OF FOOTBOARD






STEP 9



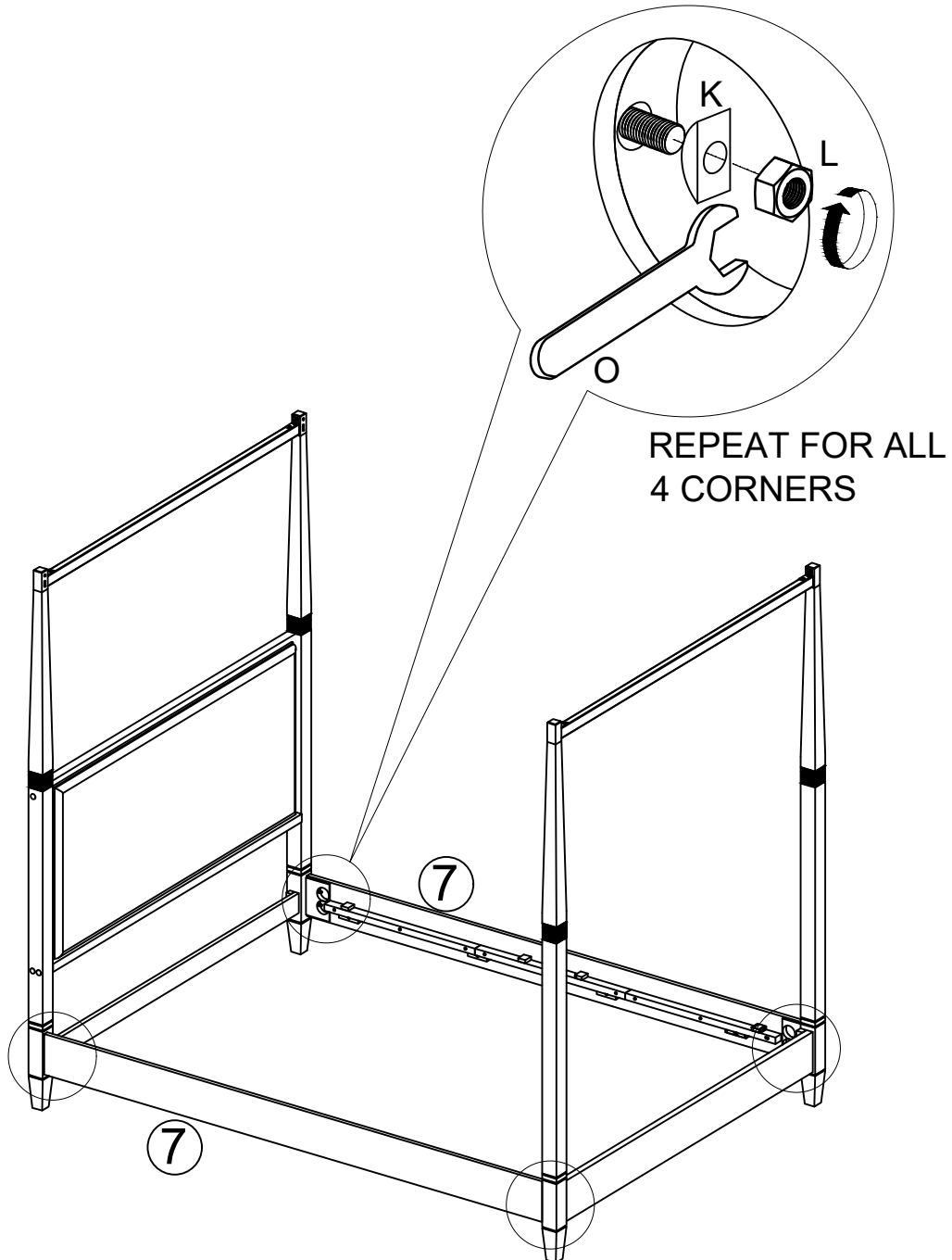
STEP 10





STEP 11

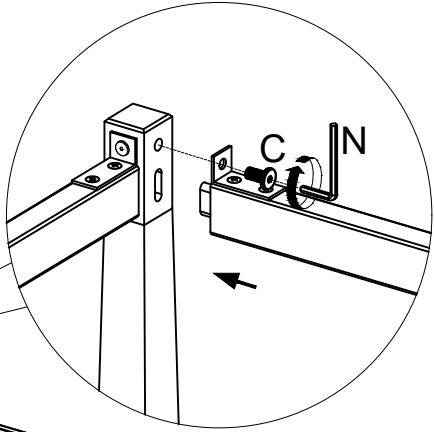
K		8 PCS
L		8 PCS
O		1 PC

NOTE: DO NOT FULLY TIGHTEN BOLTS

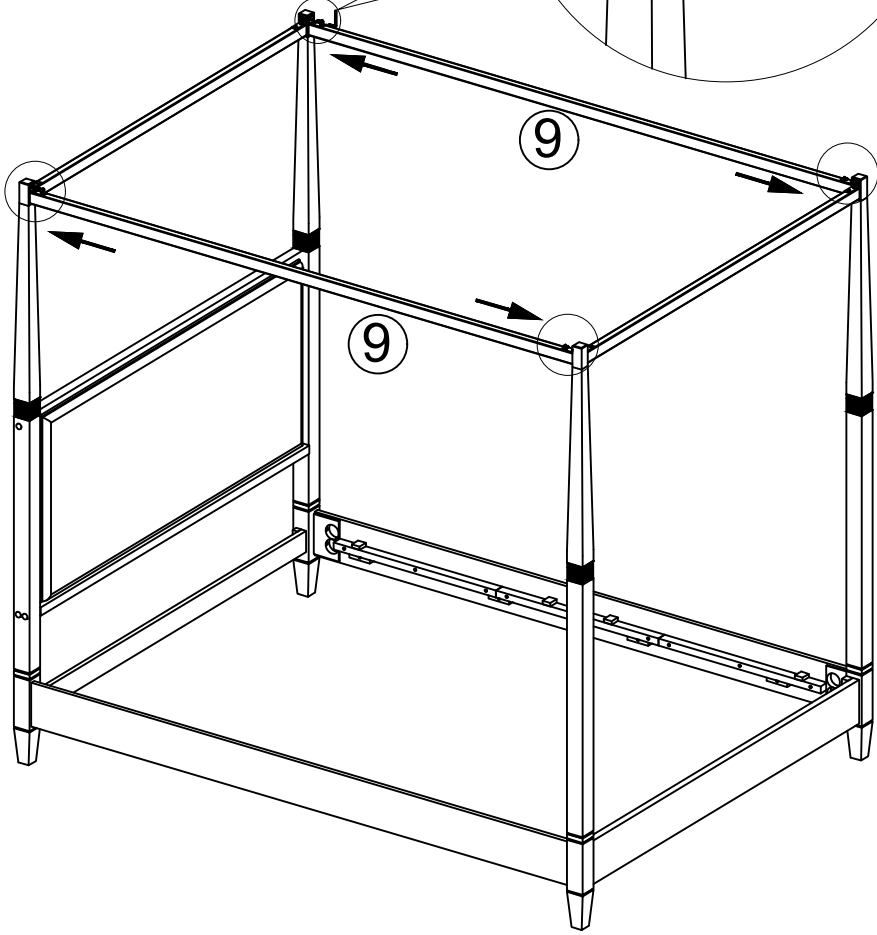


STEP 12

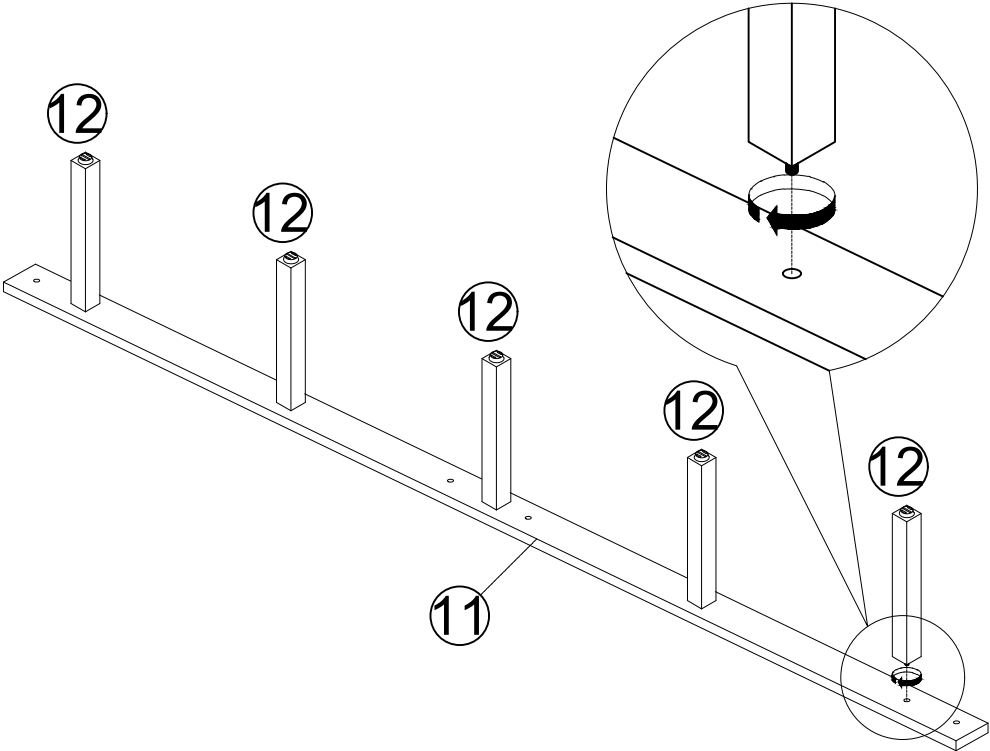
C		4 PCS
N		1 PC



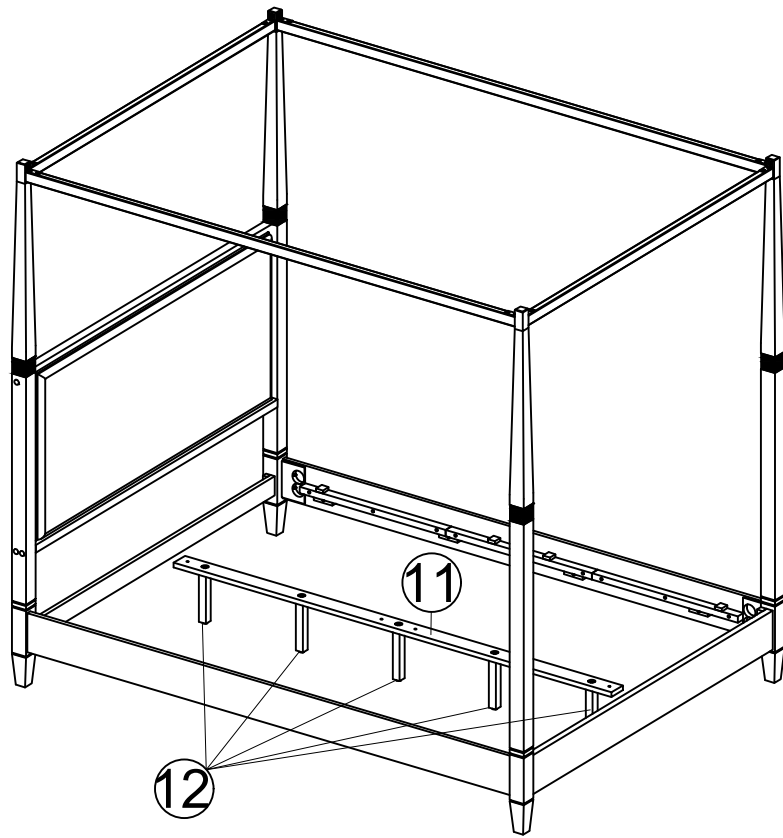
NOTE: FULLY TIGHTEN BOLTS







STEP 13

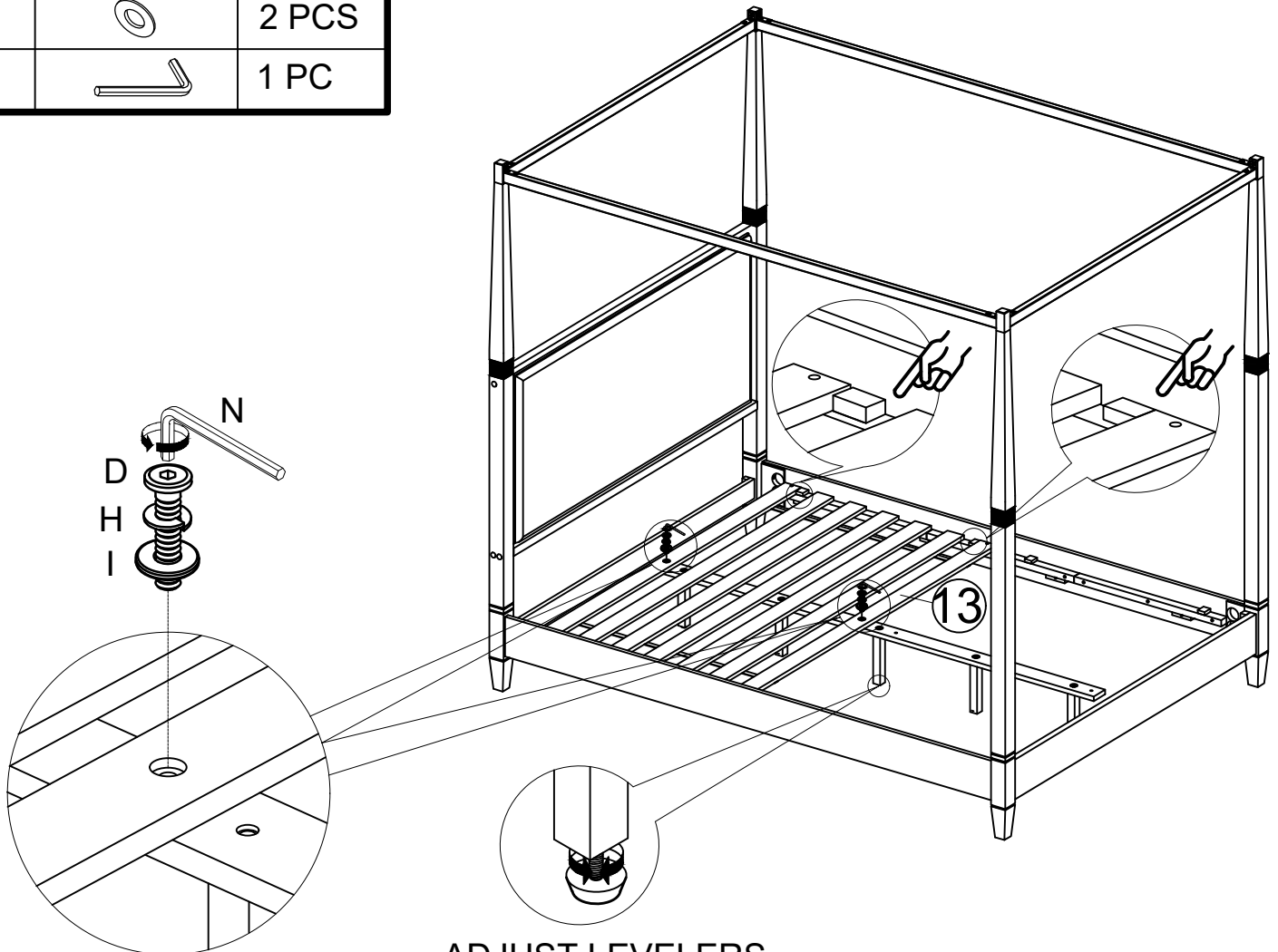


STEP 14







STEP 15

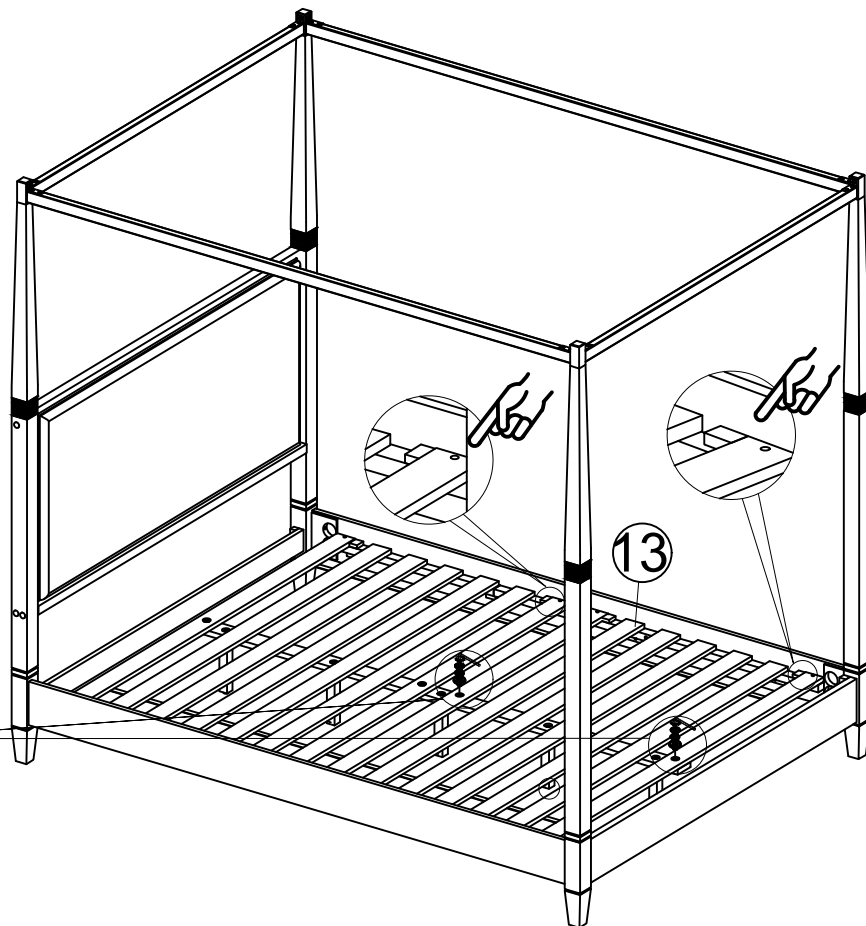
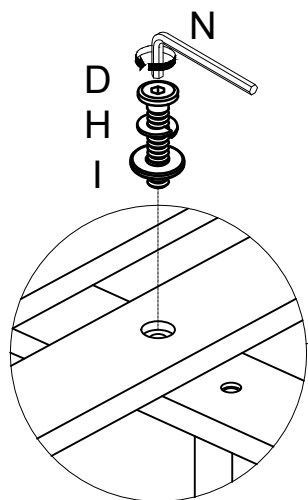
D		2 PCS
H		2 PCS
I		2 PCS
N		1 PC




ADJUST LEVELERS
FOR UNEVEN FLOOR

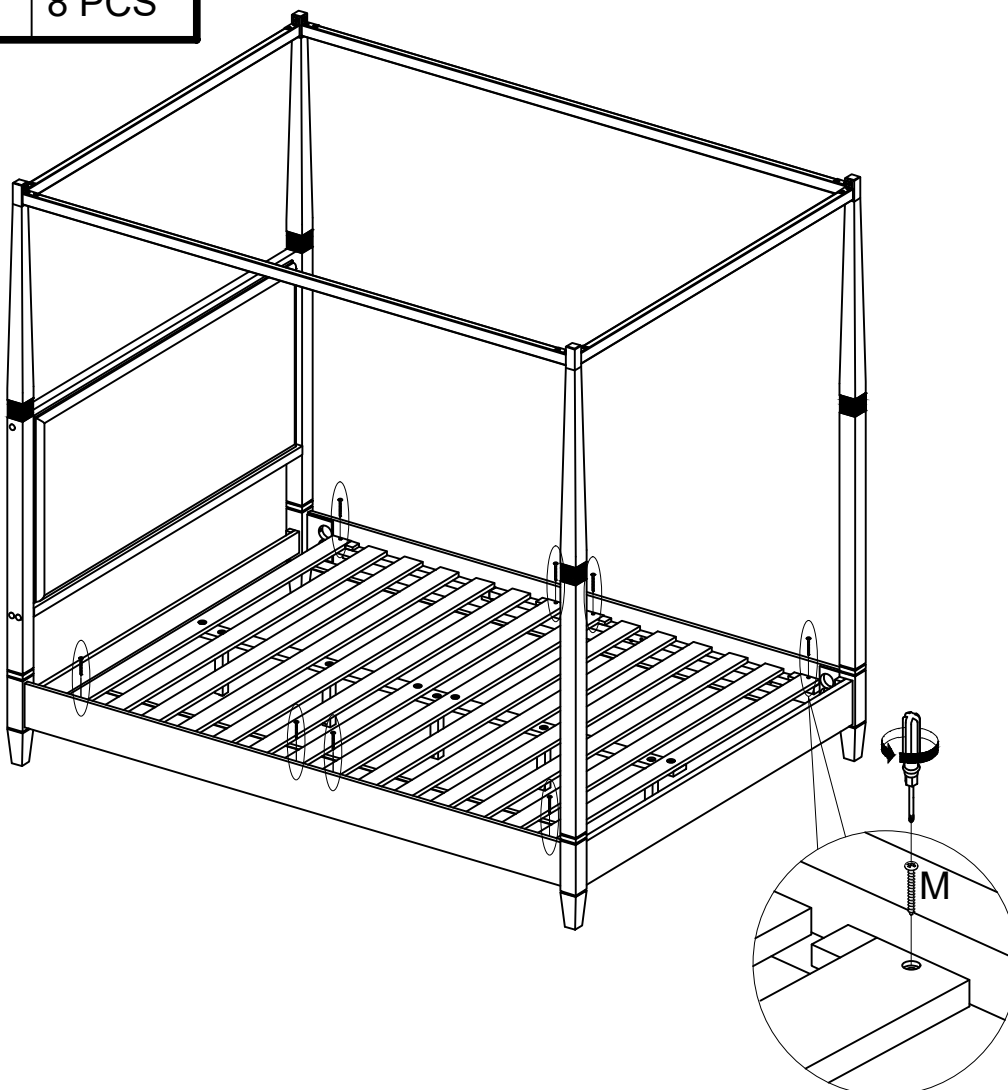
STEP 16

D		2 PCS
H		2 PCS
I		2 PCS
N		1 PC




STEP 17

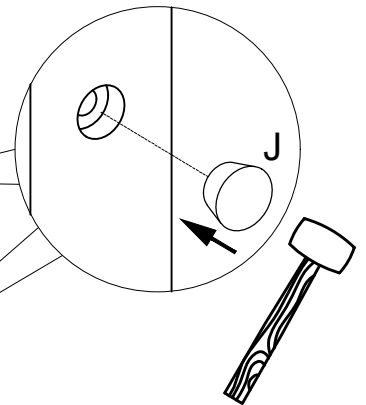
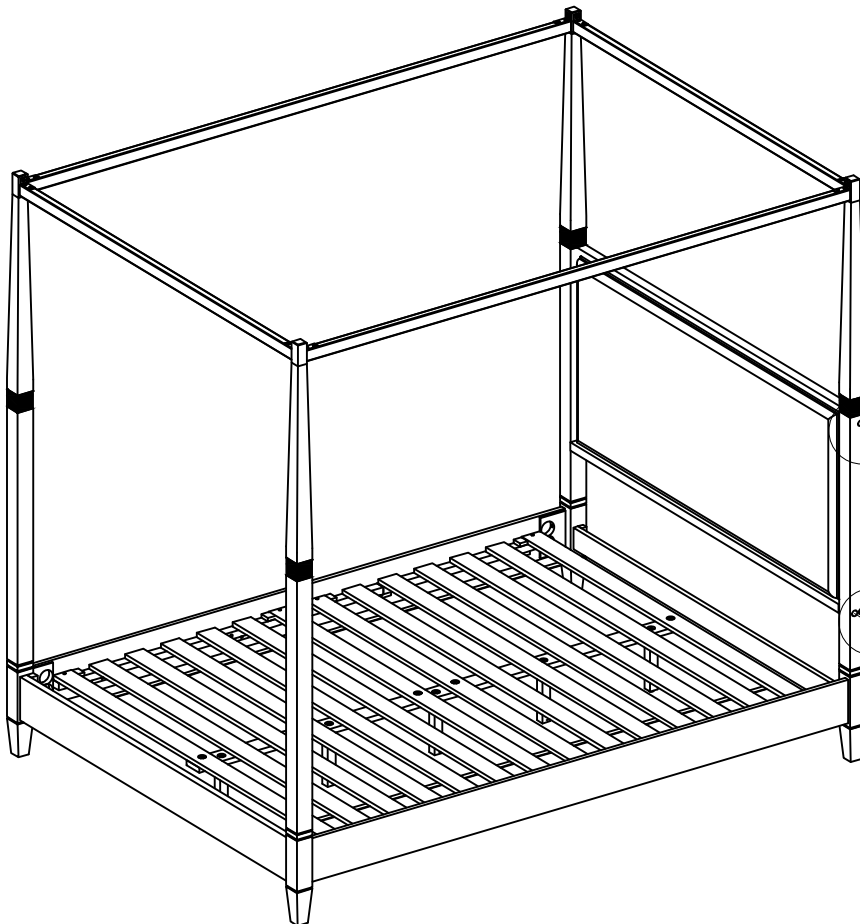
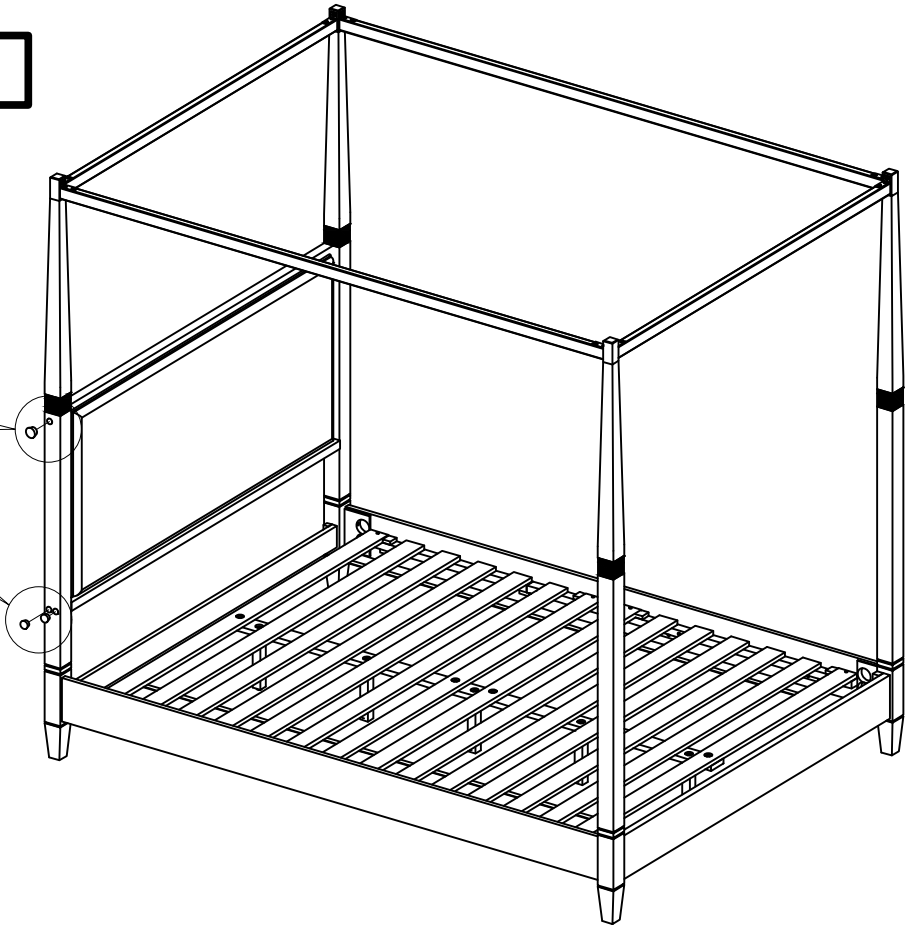
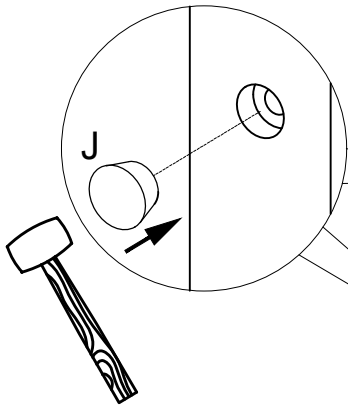
M		8 PCS
---	---	-------

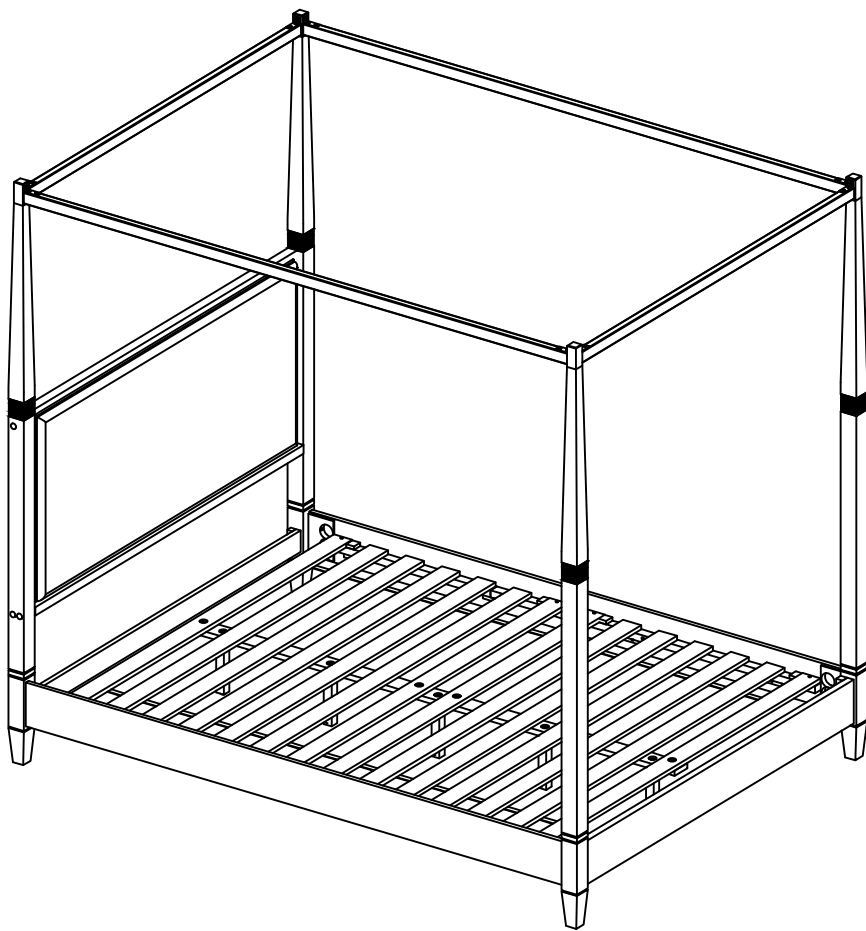


STEP 18

J		6 PCS
---	---	-------

TAP GENTLY





Care & Maintenance

Do...



Wipe up spills immediately.



Dust and pick-up spills using a clean, non-colored, lint-free, dry cloth.



Use mild non-abrasive soap and water.

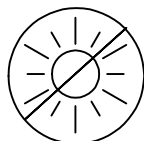
Don't...



Do not put hot items directly on furniture surface.



Do not clean furniture with harsh cleansers or polish.



Do not place furniture in direct sunlight.



Do not place furniture near heating or cooling vents.



Do not write on furniture without a padded barrier to protect the surface.



Do not place furniture outside. For indoor use only.