

# *ASSEMBLY INSTRUCTIONS*



*Fine Furniture for every stage of life*

**End Table**

# ASSEMBLY INSTRUCTIONS

## ASSEMBLY TIPS:

1. Remove hardware from box and sort by size.
2. Please check to see that all hardware and parts are present prior to start of assembly.
3. Please follow attached instructions in the same sequence as numbered to assure fast & easy assembly.



### WARNING!



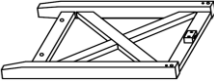

1. Don't attempt to repair or modify parts that are broken or defective. Please contact the store immediately.
2. This product is for home use only and not intended for commercial establishments.












ASSEMBLY TIME

15 MINUTES

## PARTS IDENTIFICATION

A	TOP		1PC
B	APRON		2PCS
C	LEG FRAME		2PCS
D	SHELF		1PC

## HARDWARE IDENTIFICATION

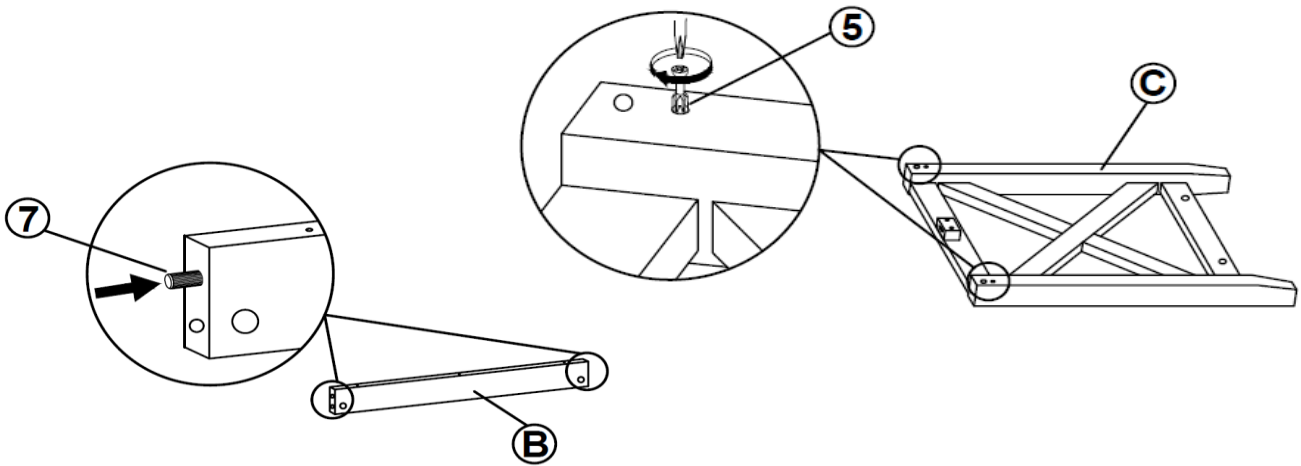
1	ALLEN WRENCH (M4 - BLK)		1PC
2	BOLT (M6 x 35mm - RBW)		4PCS
3	LOCK WASHER (M6 - RBW)		4PCS
4	FLAT WASHER (M6 - RBW)		4PCS
5	CAM BOLT (24MM - SR)		4PCS
6	CAM NUT (15/15+16 Z1 BRIGH - SR)		4PCS
7	PLASTIC DOWEL (M8 x 30mm - BLK)		4PCS
8	WAFER HEAD SCREW (M4 x 38mm - BLK)		2PCS
9	FLAT HEAD SCREW (M4 x 38mm - RBW)		6PCS

### NOTE:

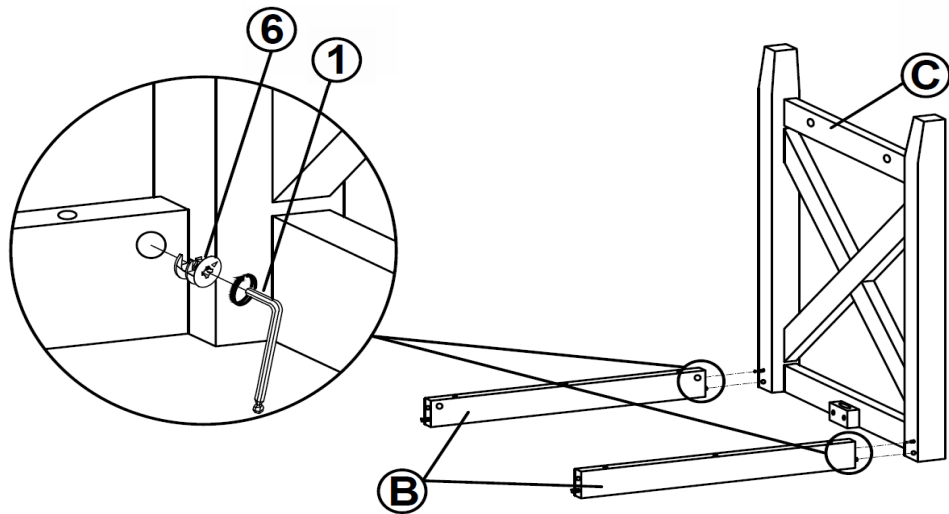
Phillips head screw driver is required in the assembly process; however, manufacturer does not provide this item.

# ASSEMBLY INSTRUCTIONS

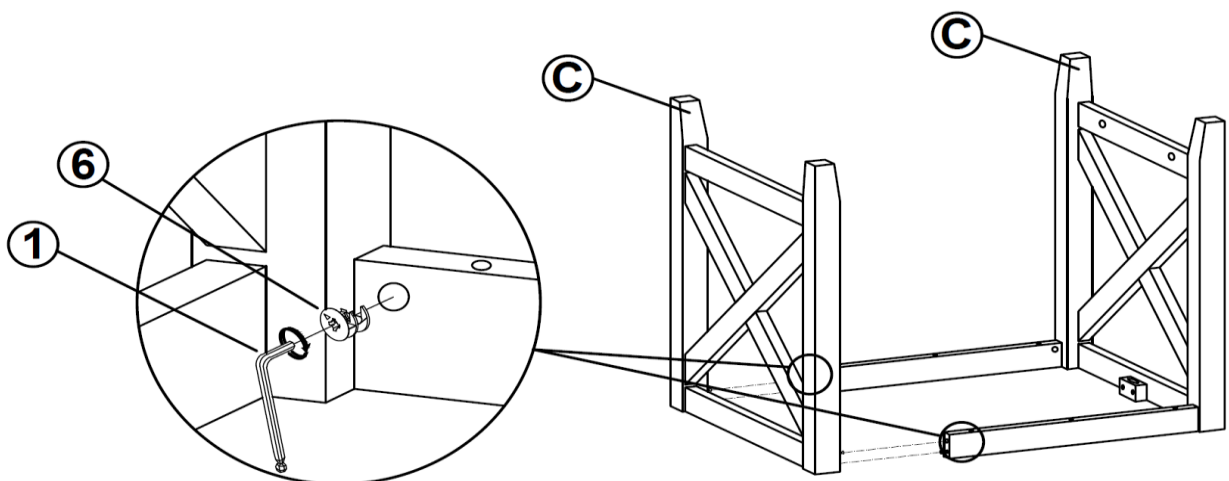
## STEP 1



## STEP 2

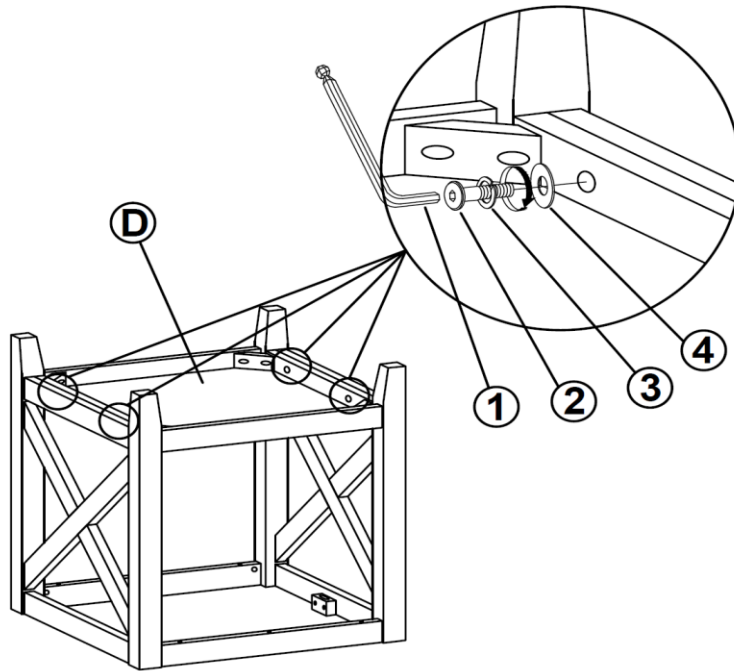


## STEP 3

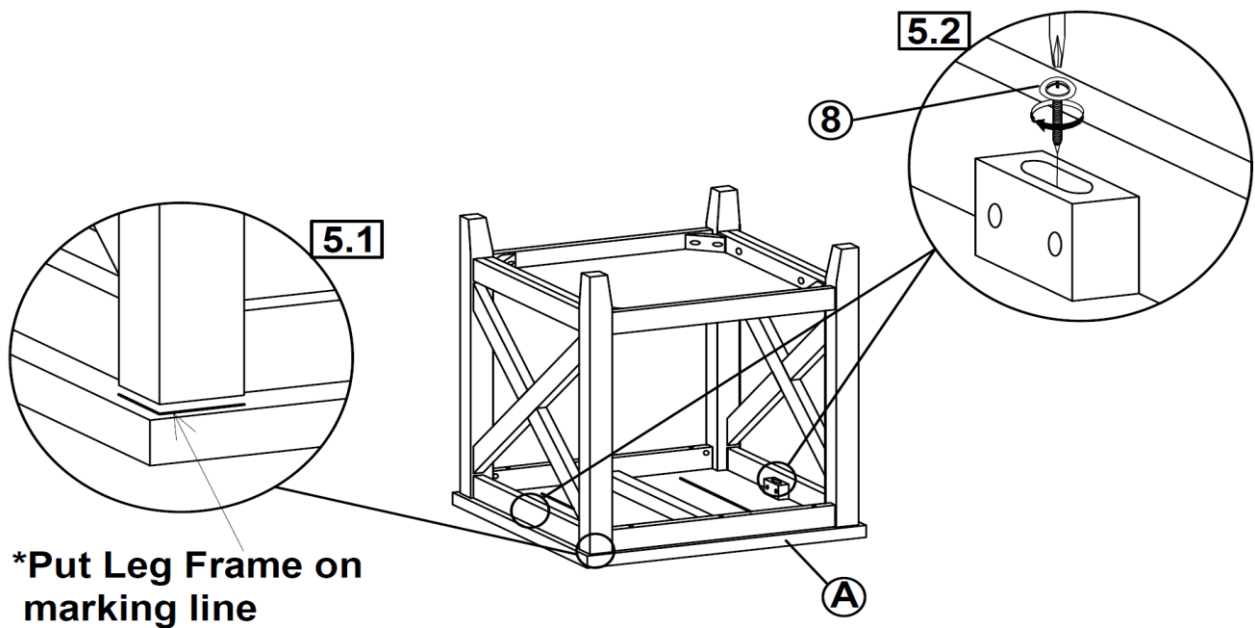


# ASSEMBLY INSTRUCTIONS

## STEP 4

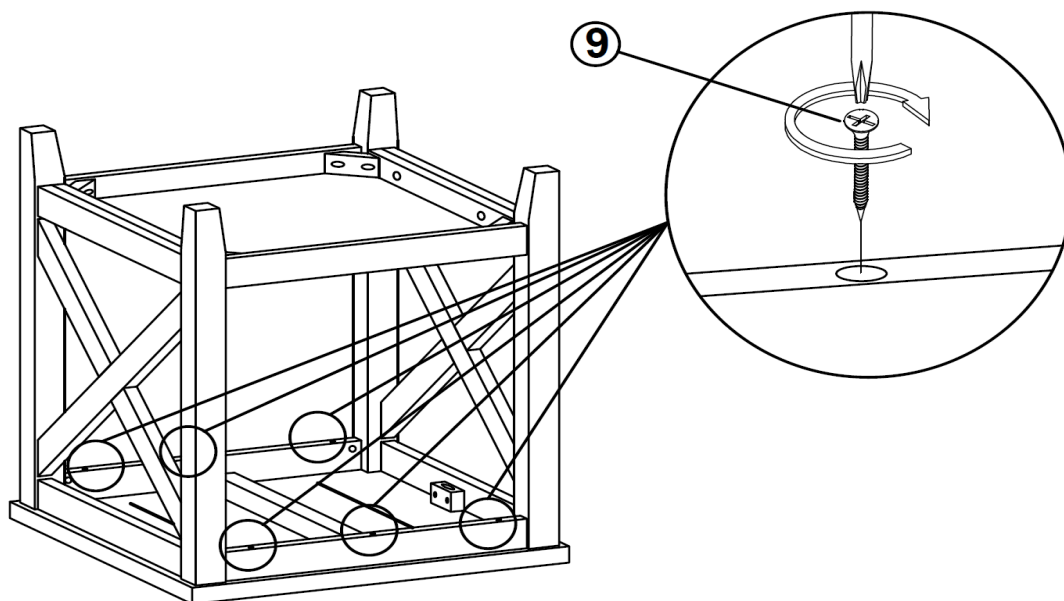


## STEP 5

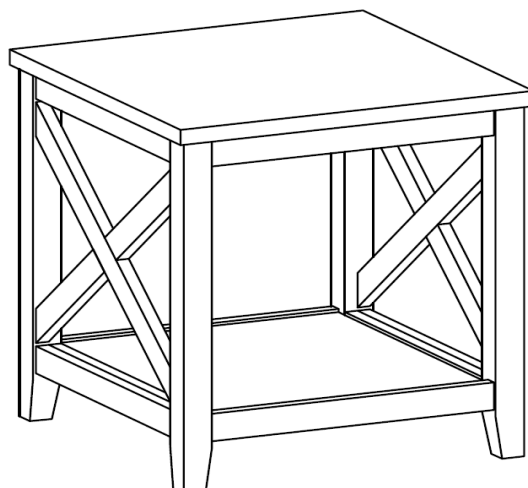


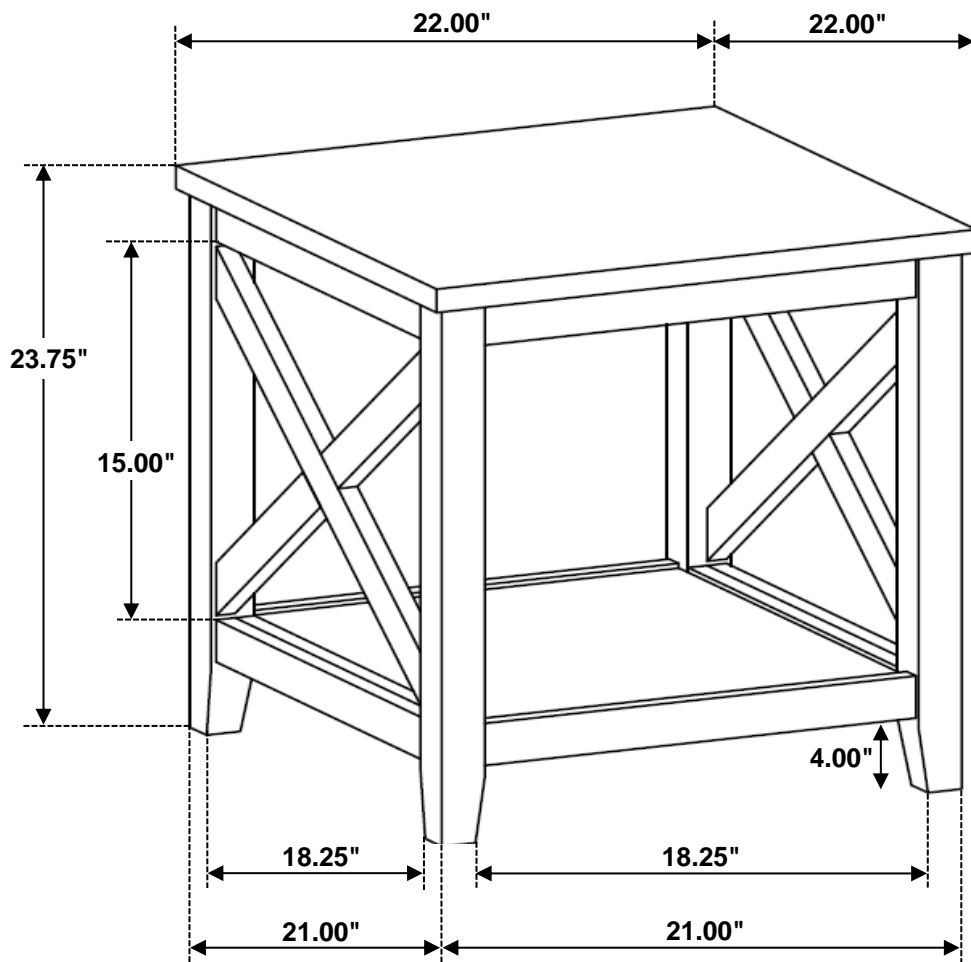
# ASSEMBLY INSTRUCTIONS

## STEP 6



## STEP 7





Note: Dimension tolerance  $\pm 5\%$