

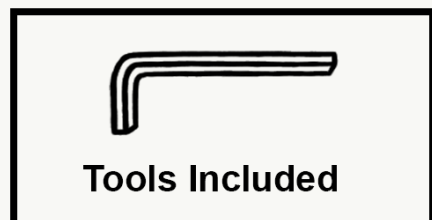
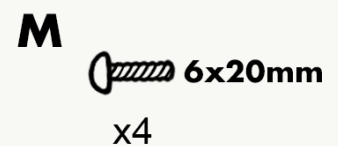
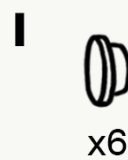
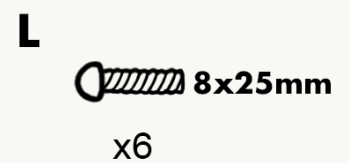
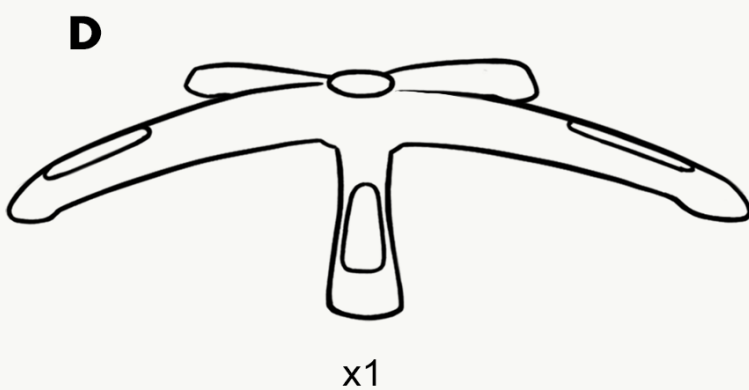
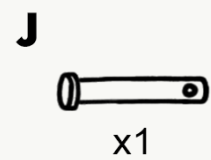
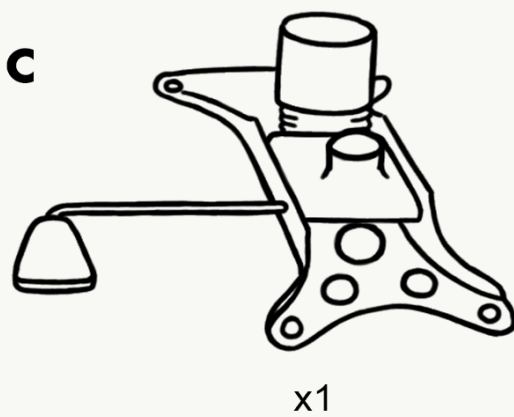
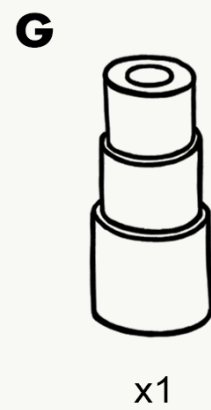
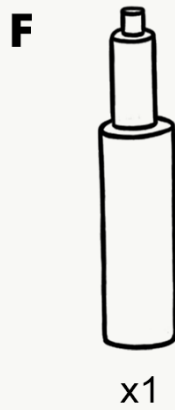
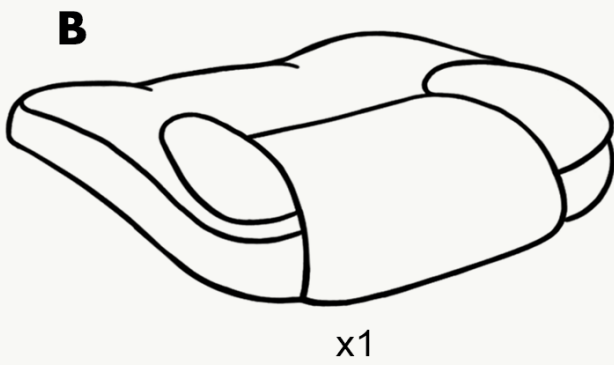
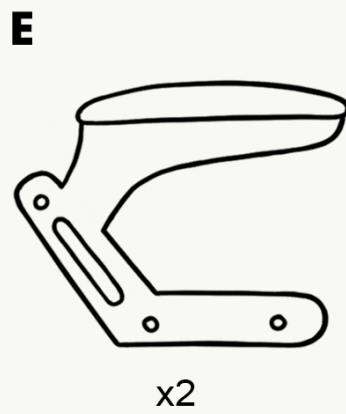
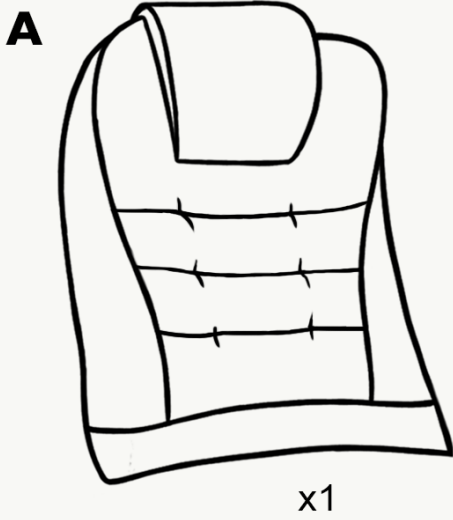
INSTRUCTION MANUAL



Please retain the packaging for a minimum of 30 days or until you are completely satisfied with your product. Charges may apply to replace the packaging if not retained for return purposes.

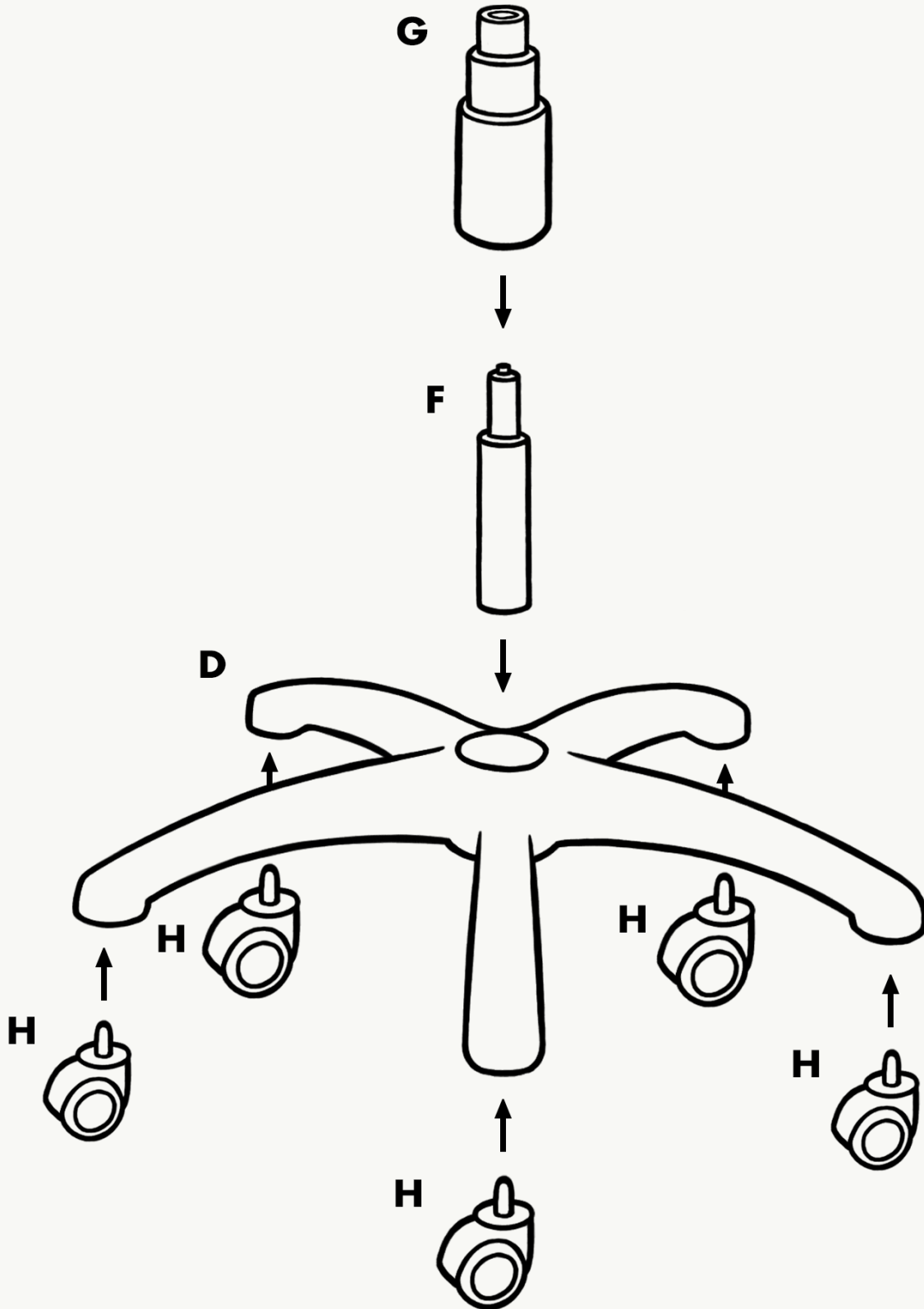
Instructions side 1

2 people recommended
for assembly



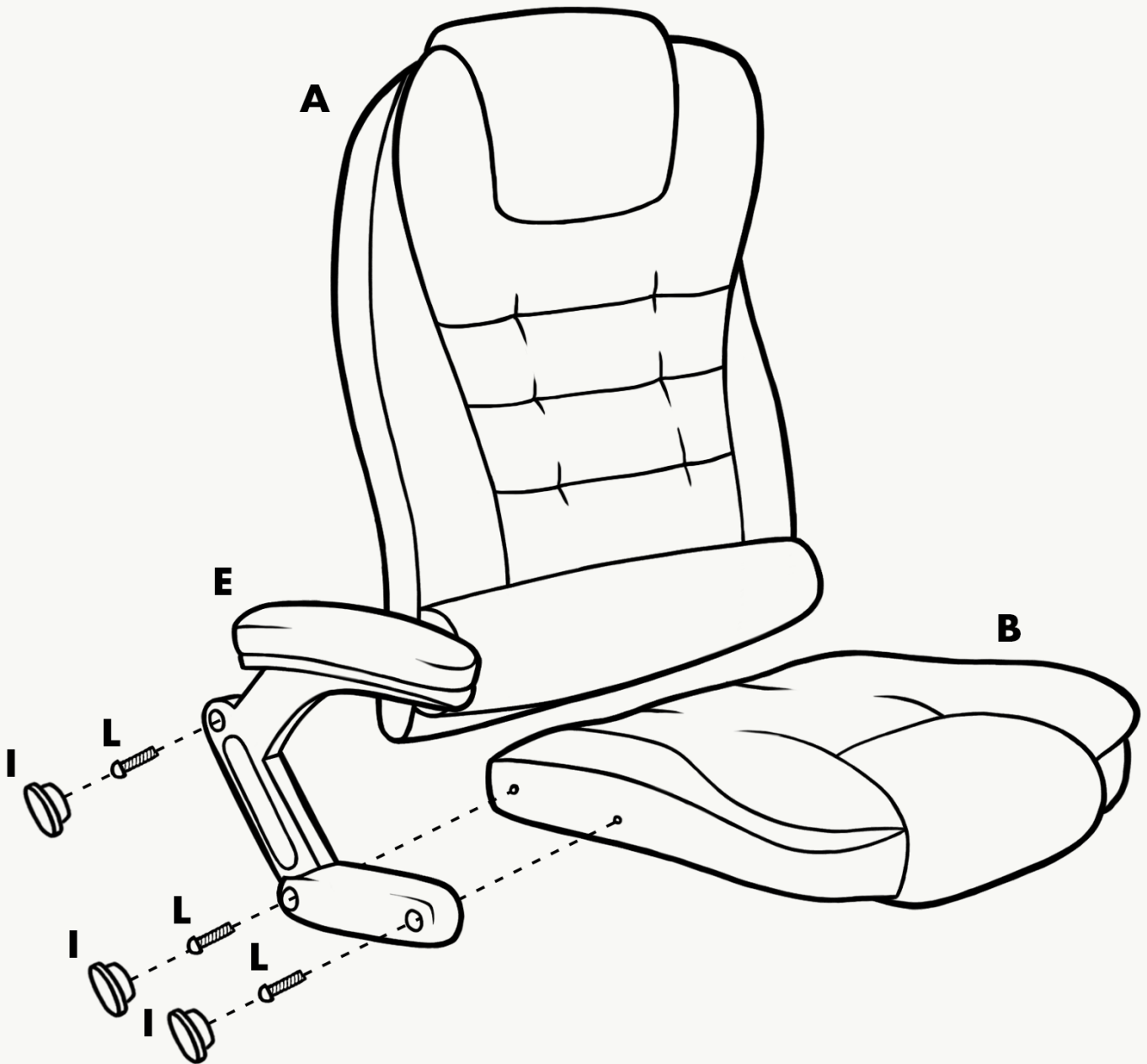
1

Insert gas lift (F) into star base (D) and cover with telescopic cover (G). Pop wheels (H) into sockets in D

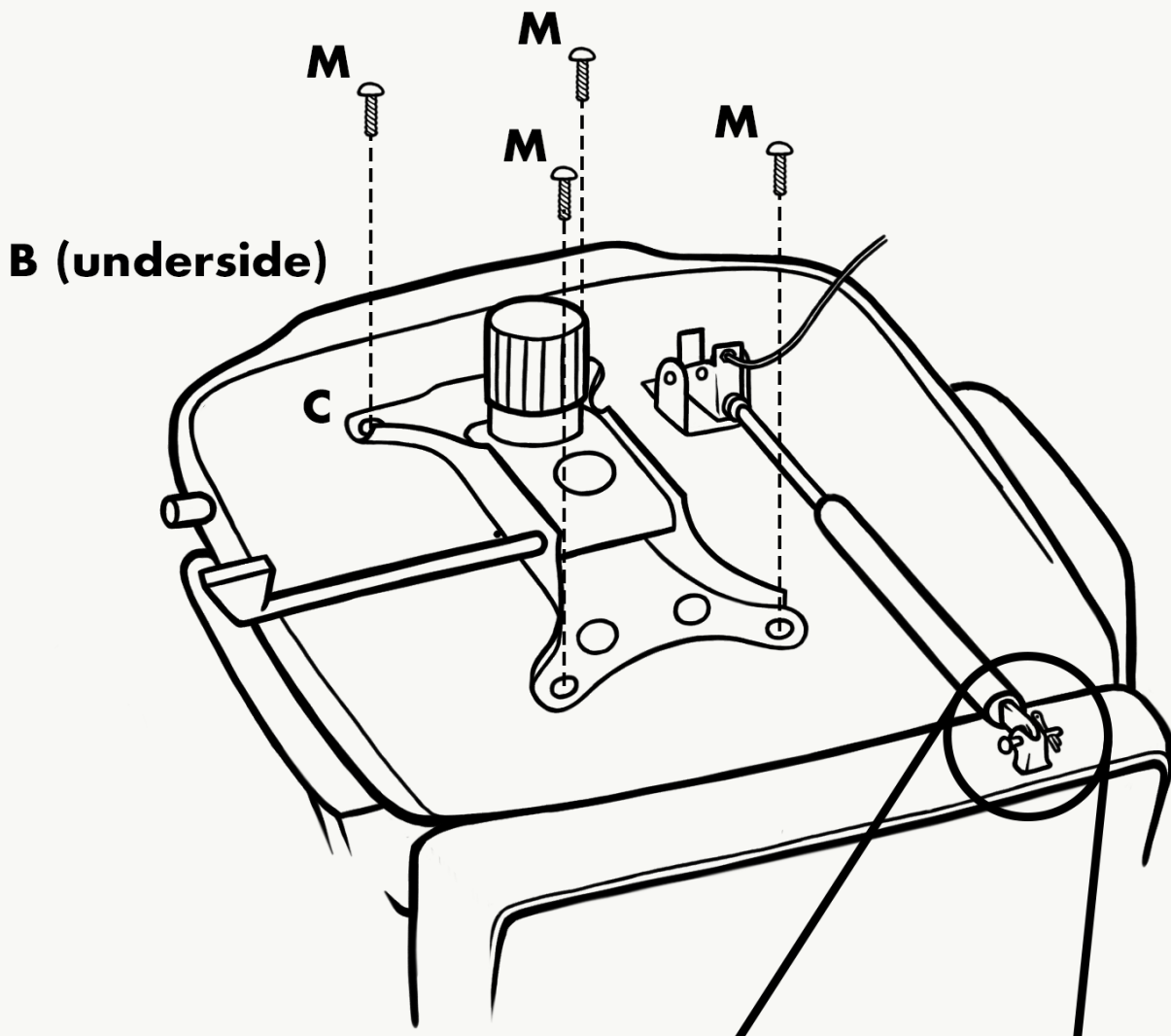


Instructions side 2

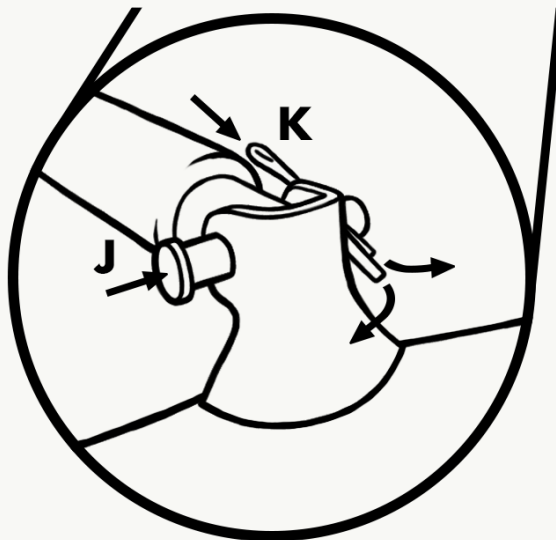
- 2** Screw armrests (E) halfway onto chair back (A) and seat (B). Tighten fully once all screws are in. Then attach screw covers (I)



- 3** Screw metal plate (C) onto bottom of seat (B)



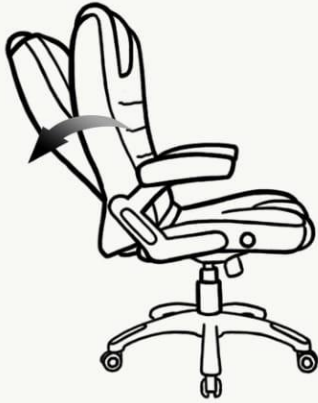
- 4** Insert J through the holes in recline piston and back support. Then insert split pin (K) through hole in J and open split pin



Instructions side 3

- 5** Insert top of gas lift (F) into hole in metal plate (C)





Recline function

Make sure the lever is pushed in.
Push the button in and lean back firmly



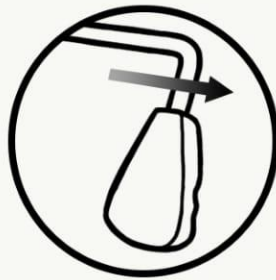
Height adjustment

To raise and lower the
seat, lift the lever.



Tilt function

Pull the lever out and lean back



Dimensions

Back height: 75cm

Seat width: 55cm

Seat depth: 53cm

Seat height: 45~55cm

Armrest height: 67~77cm

Armrest length: 27cm

Thank you for choosing our product.

If you are having difficulty with your product and you need support, please contact us.