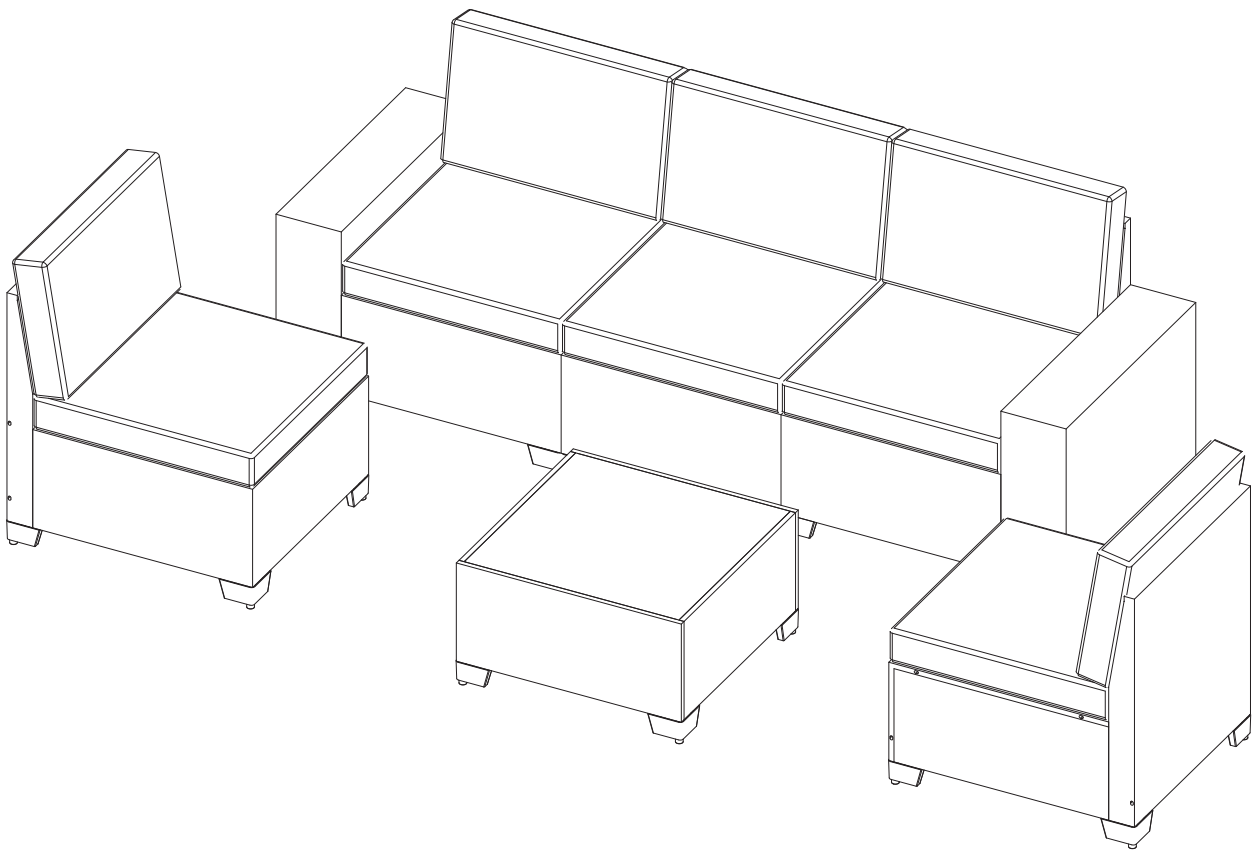


6 Pcs Sofa Set

Assembly & Care instructions



Please read & retain for future reference

CATALOGS

Important	3
Care & Instructions	4
How to Cover Holes & Repair Broken Wicker.....	4
Parts List of Box A.....	5
Parts List of Box B.....	6
Screw Set A.....	7
Screw Set B.....	8
Packing List.....	9
Installation Steps of Armless Sofa.....	10
Installation Steps of Left Arm Sofa.....	12
Installation Steps of Right Arm Sofa.....	14
Installation Steps of Corner Sofa	16
Installation Steps of Coffee Table.....	18
Accessory Replacement.....	21
How to Assemble U-Shaped Connector.....	22
Accessory Replacement.....	22
Cushion Manual	23

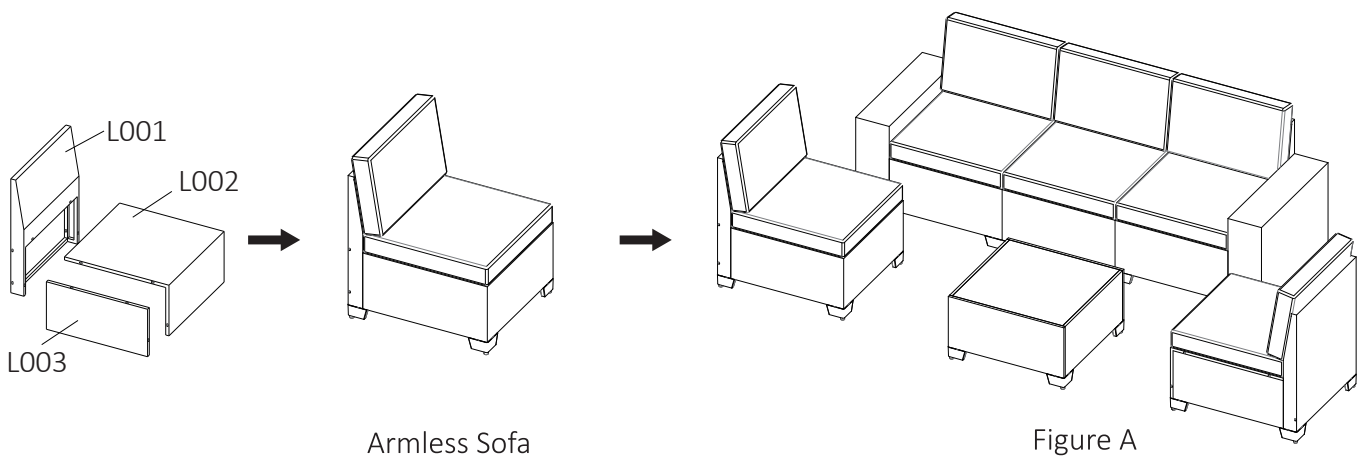
IMPORTANT

Please make a decision which model you want to put modules together, because you have to use different parts to make it either a corner sofa or an armless sofa.

Option 1: Seat Part(L002)+Back Part(L001)+Side Part(L003) can be assembled as the third armless sofa, then you can put them together as living sofa set model(Figure a).

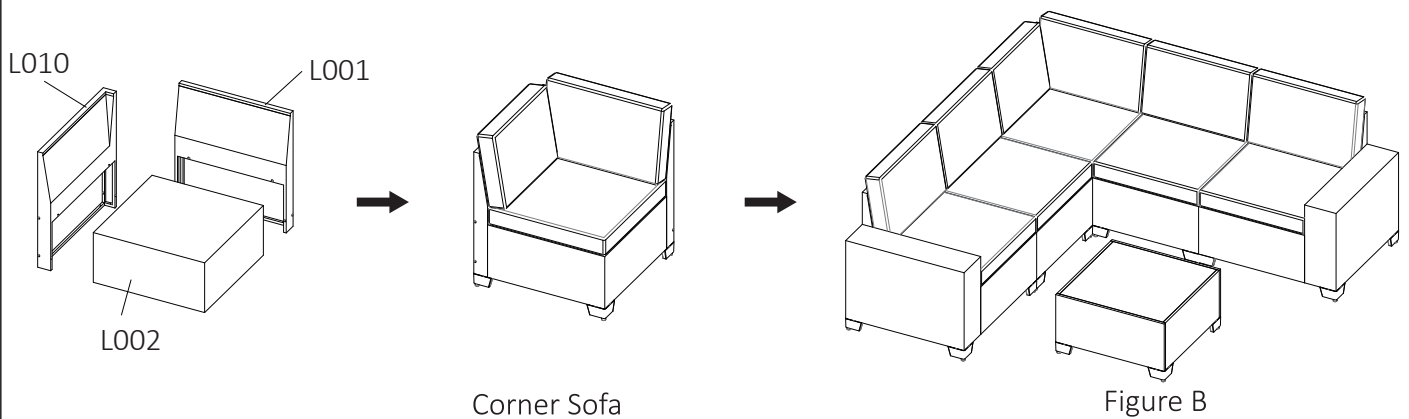
Option 2: Seat Part(L002)+Back Part(L001)+Long Back Part(L010), can be assembled as the corner sofa, then you can put them together as corner sofa set model(Figure b).

Option 1



6 Pcs Living Sofa Model

Option 2



6 Pcs Corner Sofa Model

Care & Instructions

Thank you for ordering the 6 pcs sofa set, here are some tips which may help you:

1. This 6pcs sofa set comes in 2 boxes. If you only receive 1 box, please do not worry. The others will arrive very soon.
2. Carton A and Carton B must be received in full before the six separate parts can be fully assembled.
3. The cushions are vacuum packed, after you open the package, they will fully return to the original thickness after a while.
4. It only allows us to upload 1 tracking number. If you want to know the others' tracking numbers, please contact us.
5. If any part is damaged or missing (please refer to packing list on page 5~8), please feel free to contact us. We will send you the replacement immediately.
6. In order to prolong the sofa set's service life, we suggest that you put all the cushions indoor on a rainy day.
7. We hope you can enjoy our product, if you have any other problem, please feel free to contact us.

How To Cover Holes & Repair Broken Wicker



Step 1



Step 2



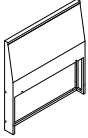
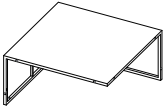
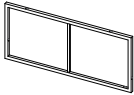
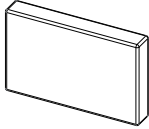
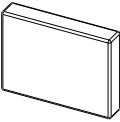
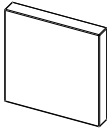
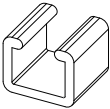
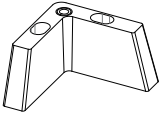
Step 3



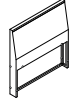
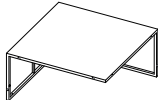
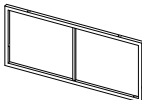
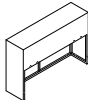

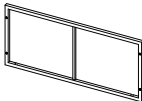
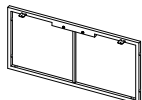
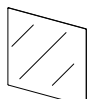
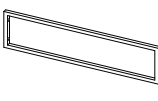
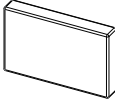
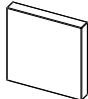
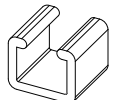
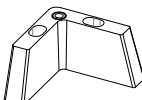
Step 4

You can use two pieces PE wicker to cover the hole, and repeat the steps to cover all the holes. These PE wicker can also be used to repair the scratch or broken wicker.

Packing List of Box A














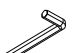








Box	Img	Patr Name	Label No.	Qty
Box A		6 Pcs Back Part	L001	3
		6 Pcs Seat Part	L002	4
		6 Pcs Side Part	L003	2
		Long Back Cushion With Core Inside	L015	2
		Short Back Cushion With Core Inside	L016	1
		Seat Cushion With Core Inside	L017	3
		U-Shaped Connector	L007	5
		High L-Shaped Feet	L008	12
	-	Screw Set	SSA	1

Packing List of Box B

Box	Img	Patr Name	Label No.	Qty
Box B		6 Pcs Back Part	L001	2
		6 Pcs Seat Part	L002	1
		6 Pcs Side Part	L003	1
		6 Pcs Arm Part	L009	2
		6 Pcs Long Back Part	L010	1
		Coffee Table Long Side Part	L011	2
		Coffee Table Short Side Part	L012	2
		Glass Top	L013	1
		Coffee Table Connector	L014	1
		Long Back Cushion With Core Inside	L015	3
		Seat Cushion With Core Inside	L017	2
		U-Shaped Connector	L007	5
		High L-Shaped Feet	L008	14
	-	Screw Set For Box B	SSB	1
























SCREW SET

Screw Set A

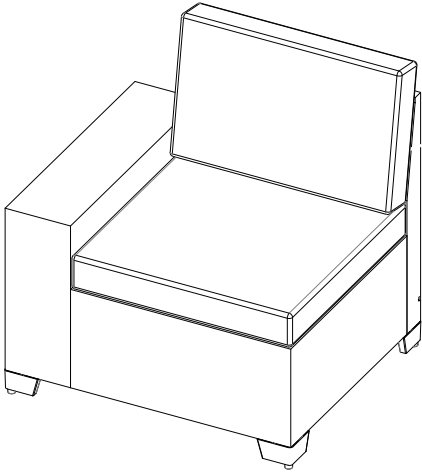
Product Name	Label No.	Img	Part Name	Qty
Armless Sofa's Screws x2	A		M6X30	3
	B		M6X45	4
	C		M6X60	8
	D		Nut	12
	F		Adjustable Screws	4
	G		Aperture Cover	6
	J		Spanner	1
	K		Wrench	1
Left or Right Arm Sofa's Screws x2	B		M6X45	7
	C		M6X60	8
	D		Nut	15
	F		Adjustable Screws	4
	G		Aperture Cover	2
	J		Spanner	1
	K		Wrench	1
Additional Screws-A	A		M6X30	2
	B		M6X45	2
	C		M6X60	2
	D		Nut	2
	G		Adjustable Screws	1
	G		Aperture Cover	3
	H		Restoration of Rattan	1

SCREW SET

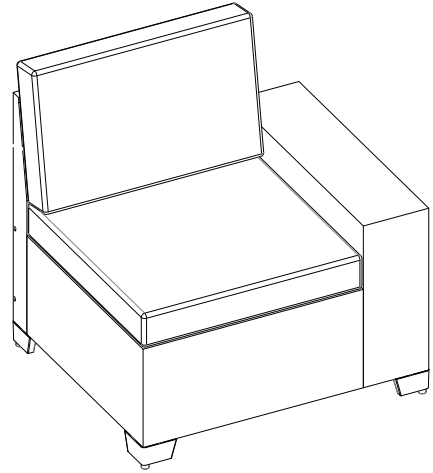
Screw Set B

Product Name	Label No.	Img	Part Name	Qty
Corner Sofa's Screws x1	B		M6X45	8
	C		M6X60	8
	D		Nut	16
	F		Adjustable Screws	4
	G		Aperture Cover	1
	J		Spanner	1
	K		Wrench	1
Coffee Table's Screws x1	A		M6X30	12
	C		M6X60	8
	D		Nut	8
	E		Glass Mat	4
	F		Adjustable Screws	4
	J		Spanner	1
	K		Wrench	1
Additional Screws-B	A		M6X30	5
	B		M6X45	2
	C		M6X60	2
	D		Nut	3
	E		Glass Mat	1
	F		Adjustable Screws	1
	G		Aperture Cover	3
	H		Restoration of Rattan	1
	I		Velcro	2

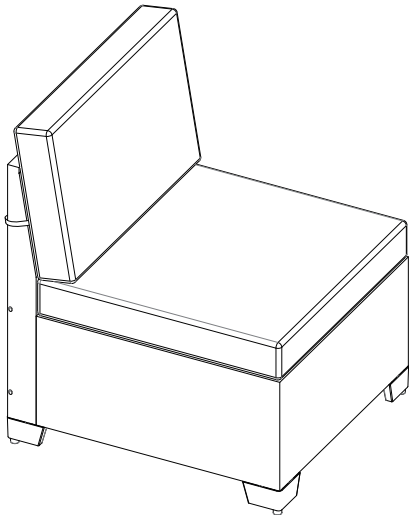
Packing List



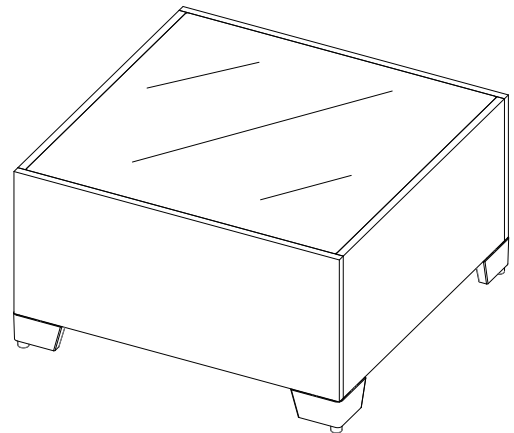
Right Arm Sofa x 1



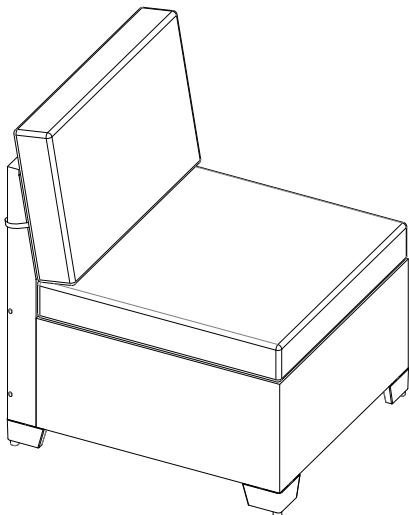
Left Arm Sofa x 1



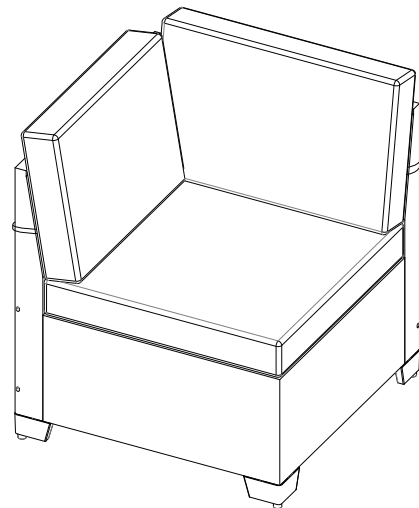
Armless Sofa x 2



Coffee Table x 1



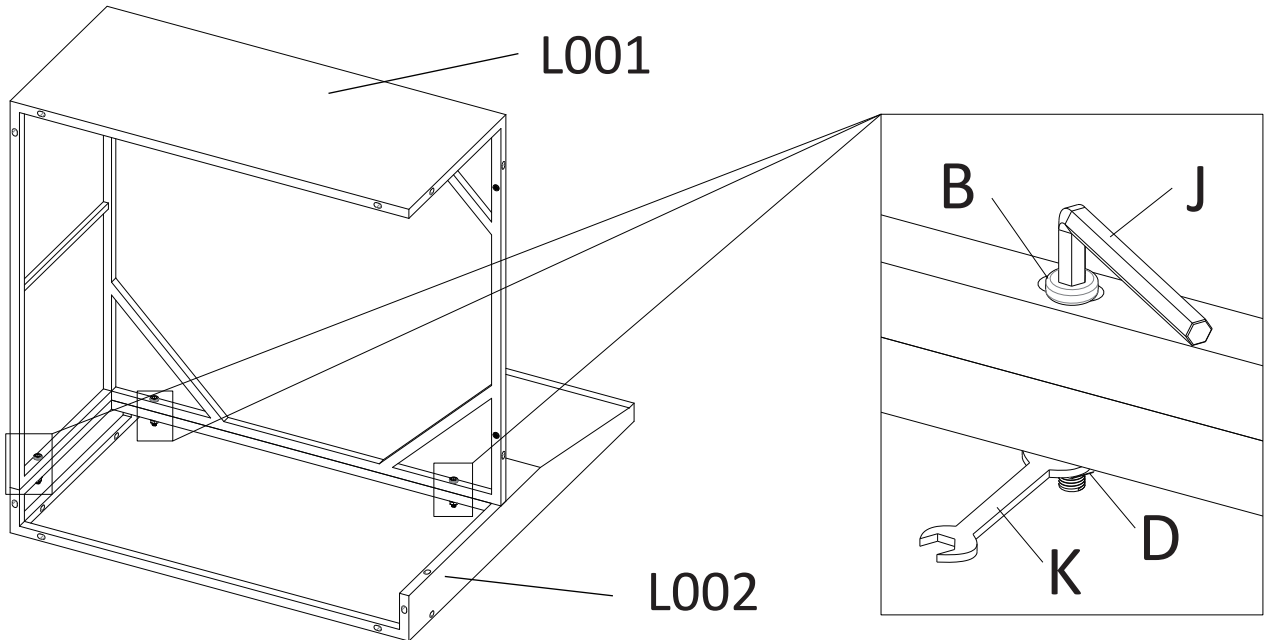
Armless Sofa or Corner Sofa x 1



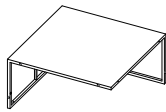
Armless Sofa

Step 1

Assemble Back Part(L002) and Seat Part(L001).
Tips:Do not 100% Tight.



L001 x 1



L002 x 1



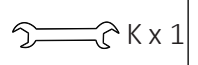
B x 3



Dx 3



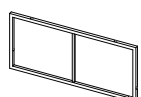
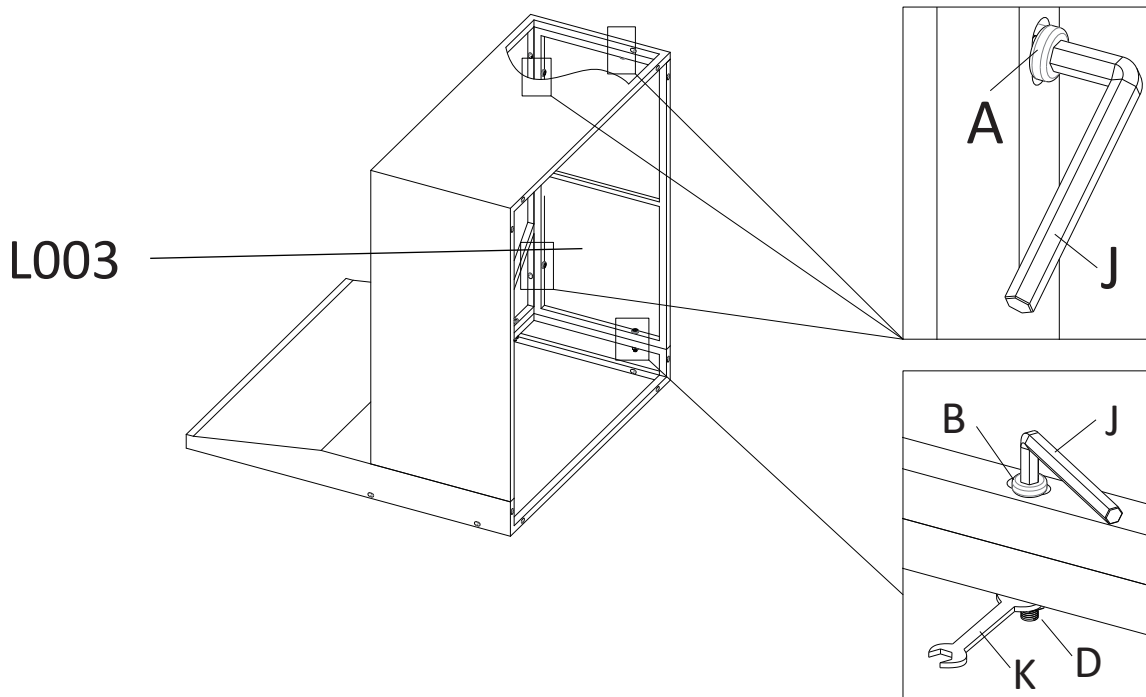
Jx 1



K x 1

Step 2

Assemble Side Part(L003).
Tips:Screws 100% Tight This Step.



L003 x 1



A x 3



B x 1



Dx 1



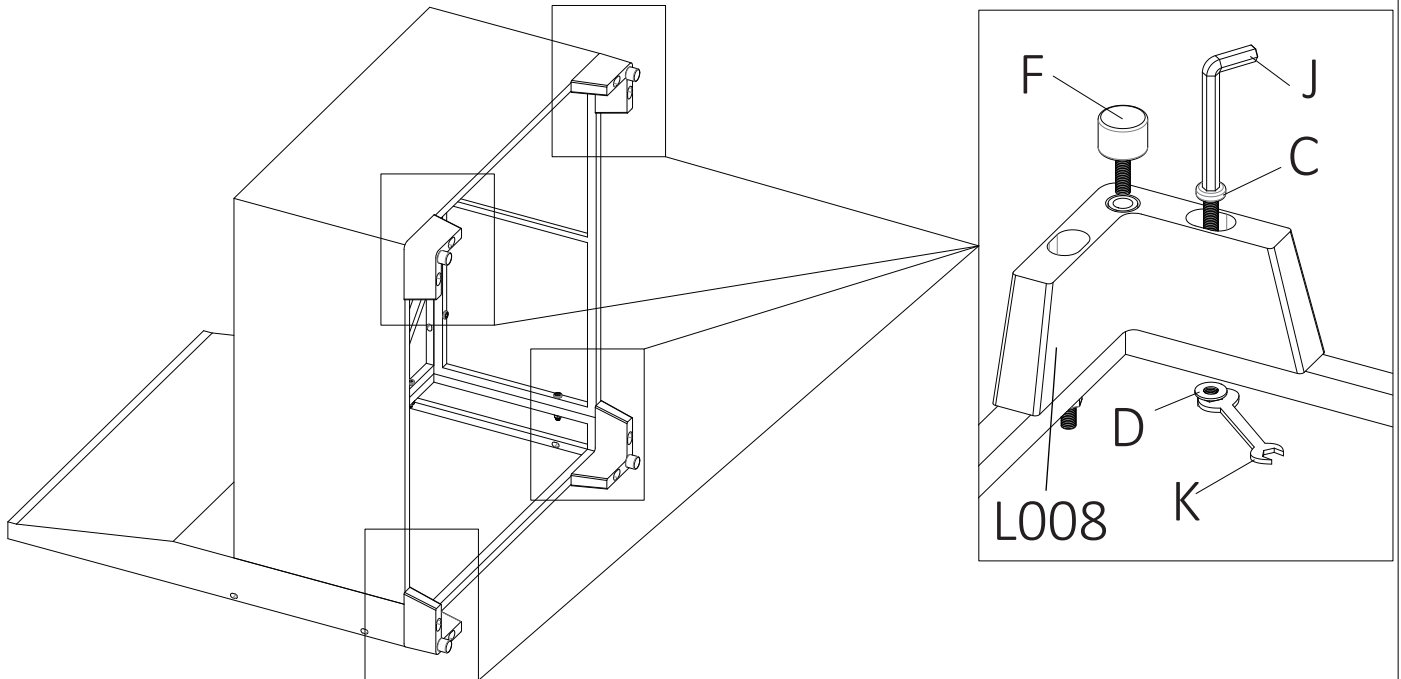
Jx 1



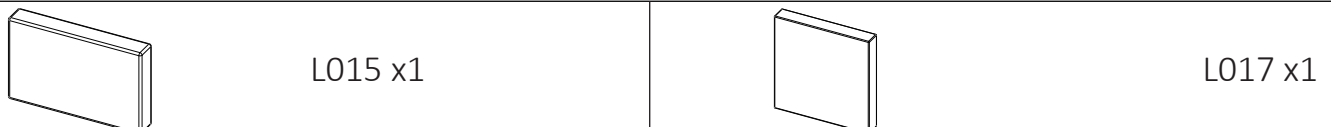
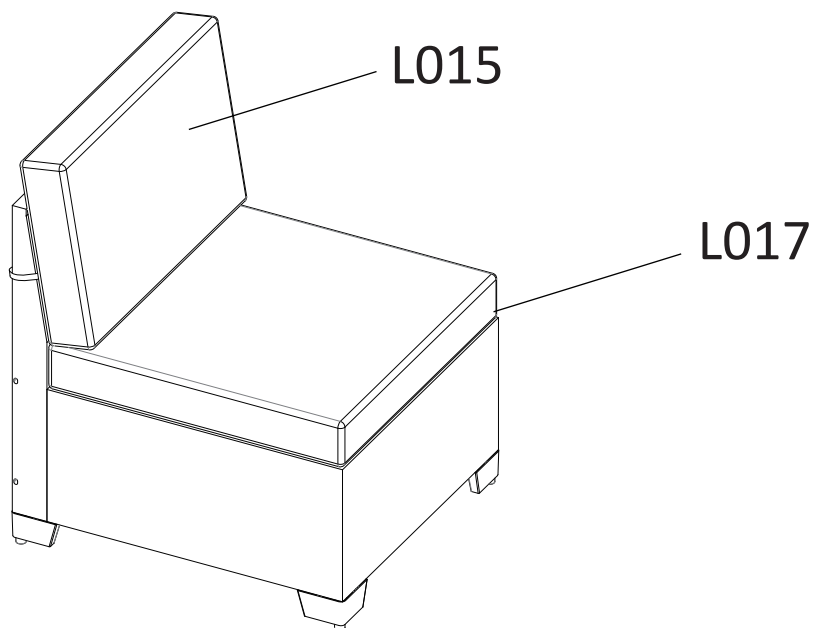
K x 1

Armless Sofa

Step 3 Assemble High L-Shaped Feet(L007) and Screw Feet.

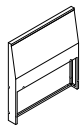
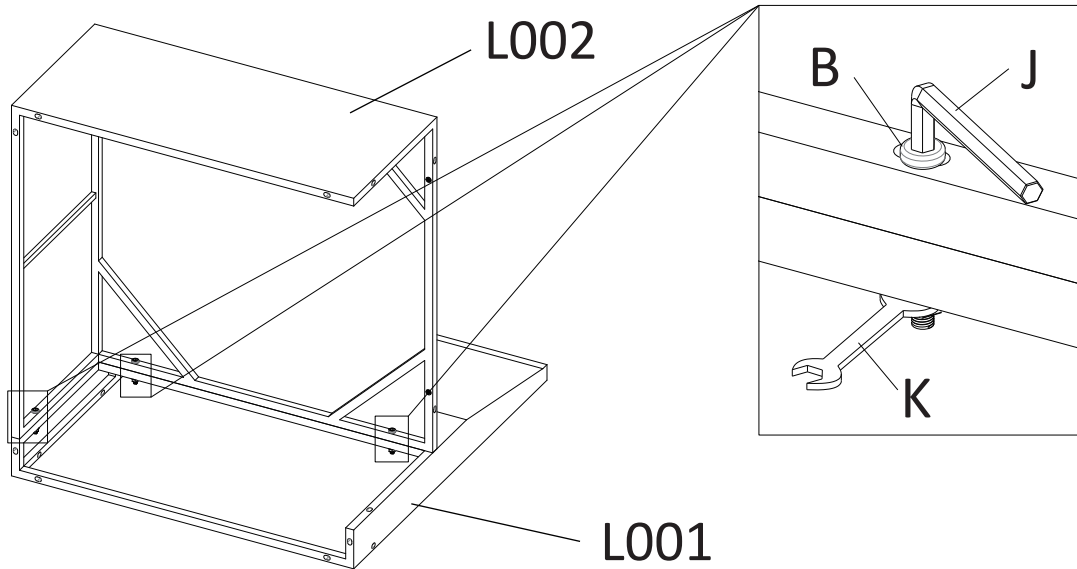


Step 4 Put the Seat Cushion and Back Cushion on.
 Tips: The cushions can be fixed on the back of the sofa with ties. If you don't need the ties, you can cut them off.

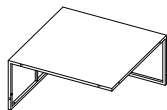


Left Arm Sofa

Step 1 Assemble Back Part(L001) And Seat Part(L002).
 Tips:Do not 100% Tight.



L001 x 1



L002 x 1



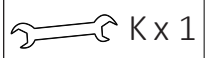
B x 3



D x 3

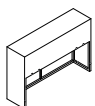
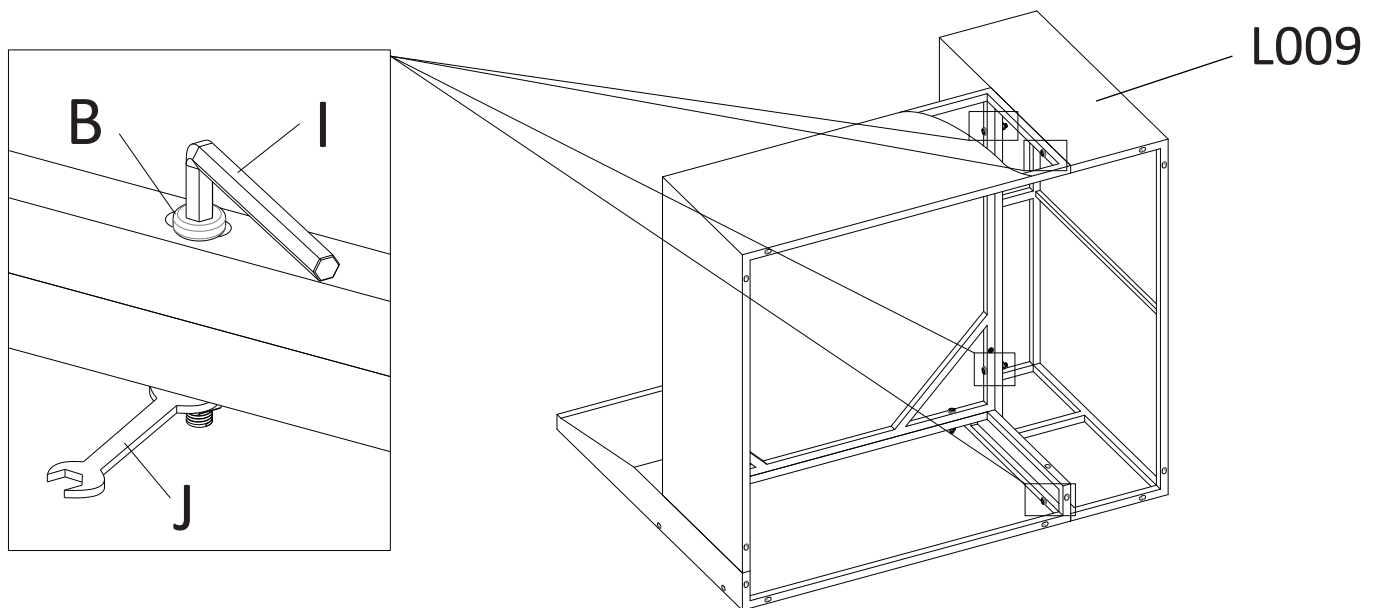


J x 1



K x 1

Step 2 Assemble Arm Part(L009).
 Tips:Screws 100% Tight This Step.



L009 x 1



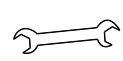
B x 4



D x 4



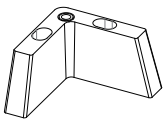
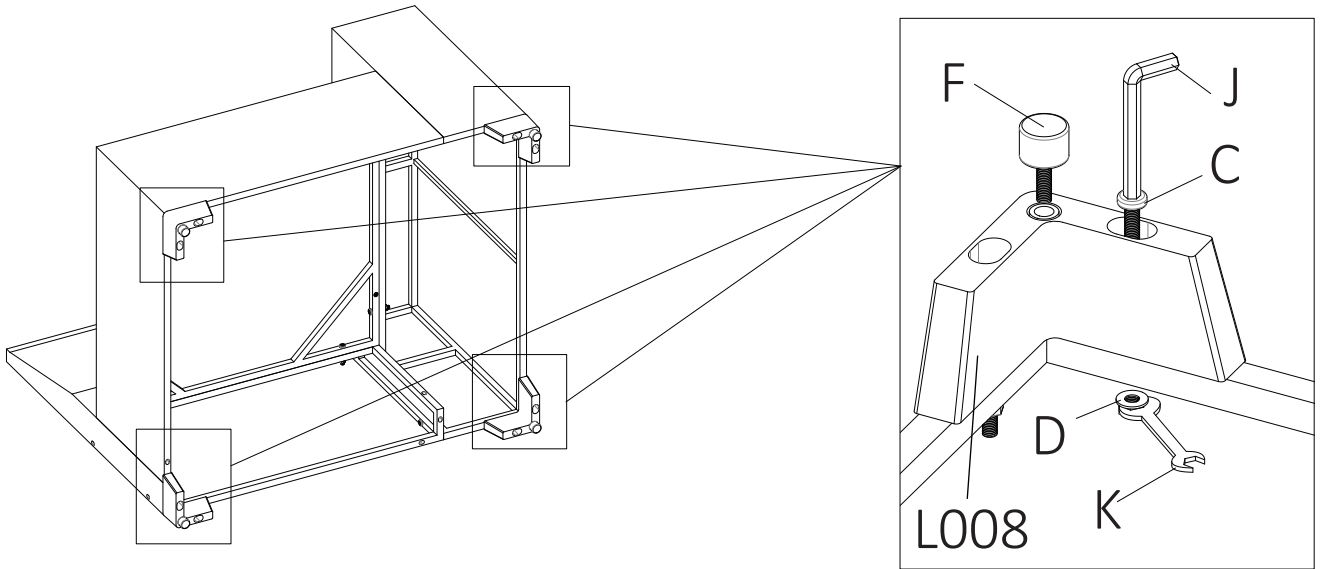
J x 1



K x 1

Left Arm Sofa

Step 3 Assemble High L-Shaped Feet(L007).



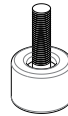
L008 x4



B x8



D x8



E x 4



J x 1

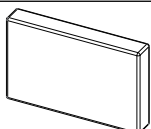
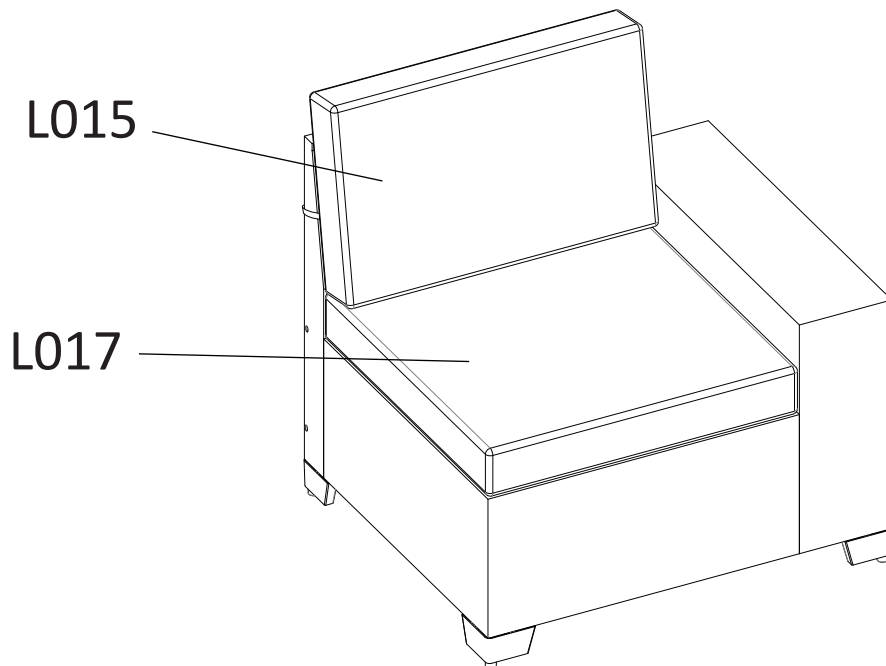


K x 1

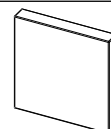
Step 4

Put the Seat Cushion(L017) and Back Cushion(L015) on.

Tips: The cushions can be fixed on the back of the sofa with ties. If you don't need the ties, you can cut them off.



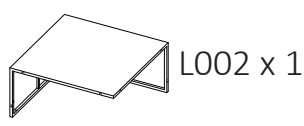
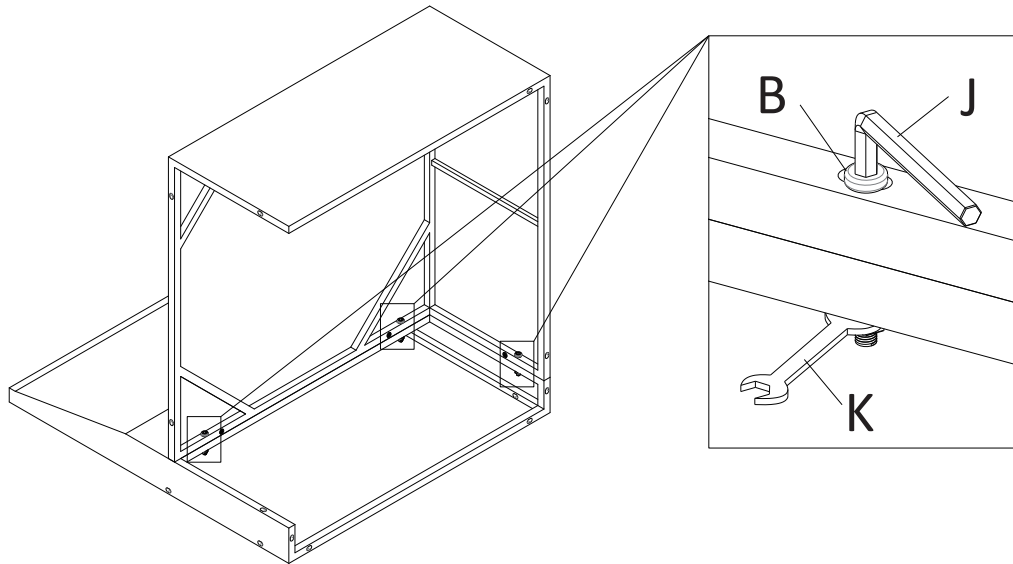
L015 x1



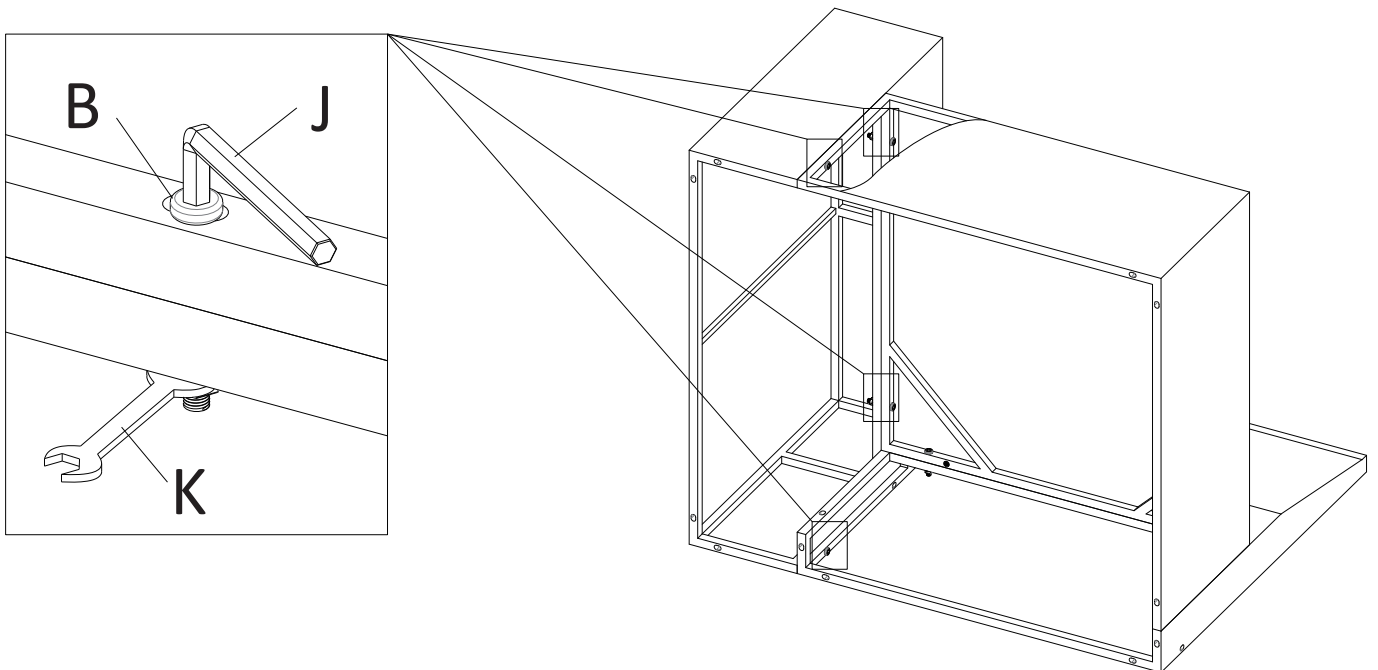
L017 x1

Right Arm Sofa

Step 1 Assemble Back Part(L001) And Seat Part(L002).
 Tips:Do not 100% Tight.

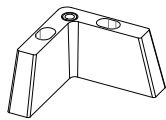
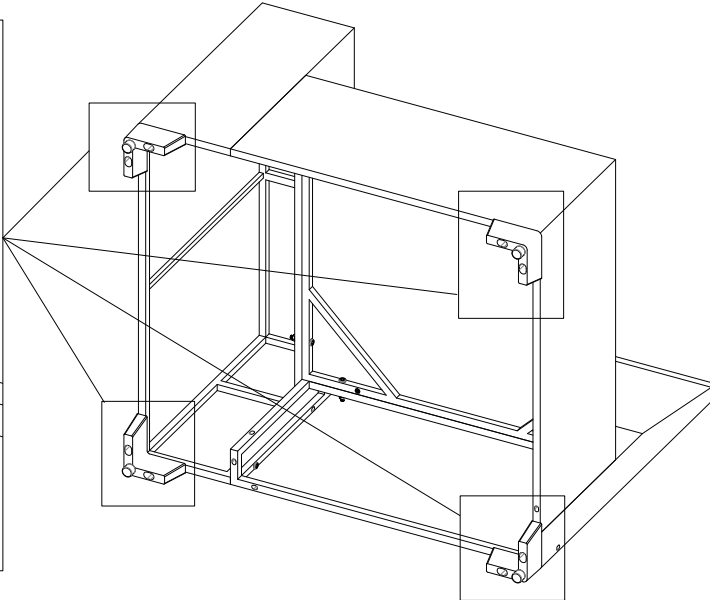
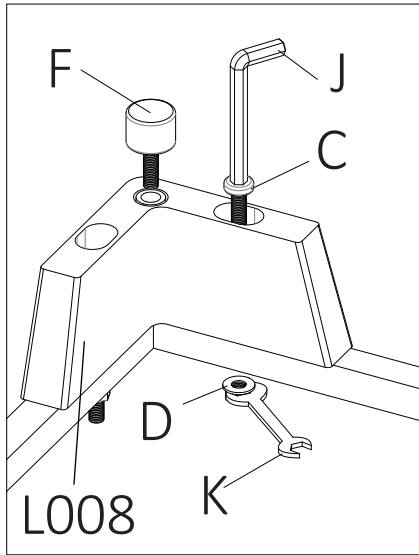


Step 2 Assemble Arm Part(L009) .
 Tips:Screws 100% Tight This Step.



Right Arm Sofa

Step 3 Assemble High L-Shaped Feet(L007).



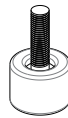
L008 x4



C x8



D x8



E x 4



J x 1

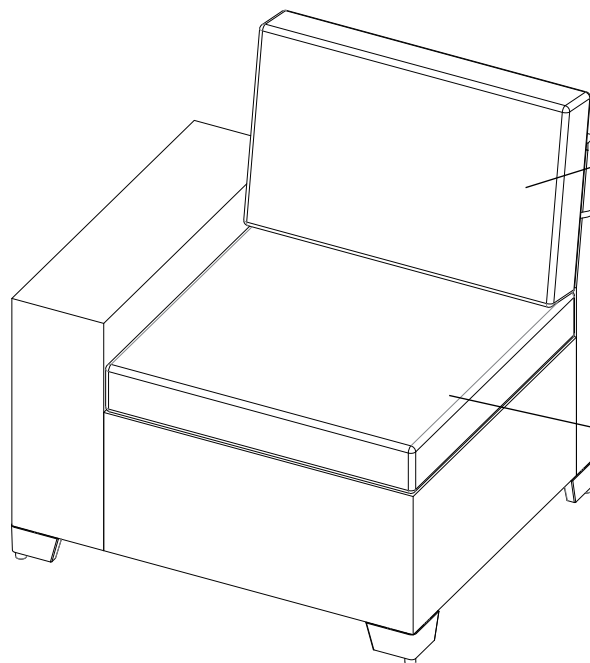


K x 1

Step 4

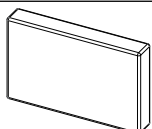
Put the Seat Cushion(L017) and Back Cushion(L015) on.

Tips: The cushions can be fixed on the back of the sofa with ties. If you don't need the ties, you can cut them off.

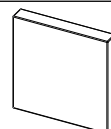


L015

L017



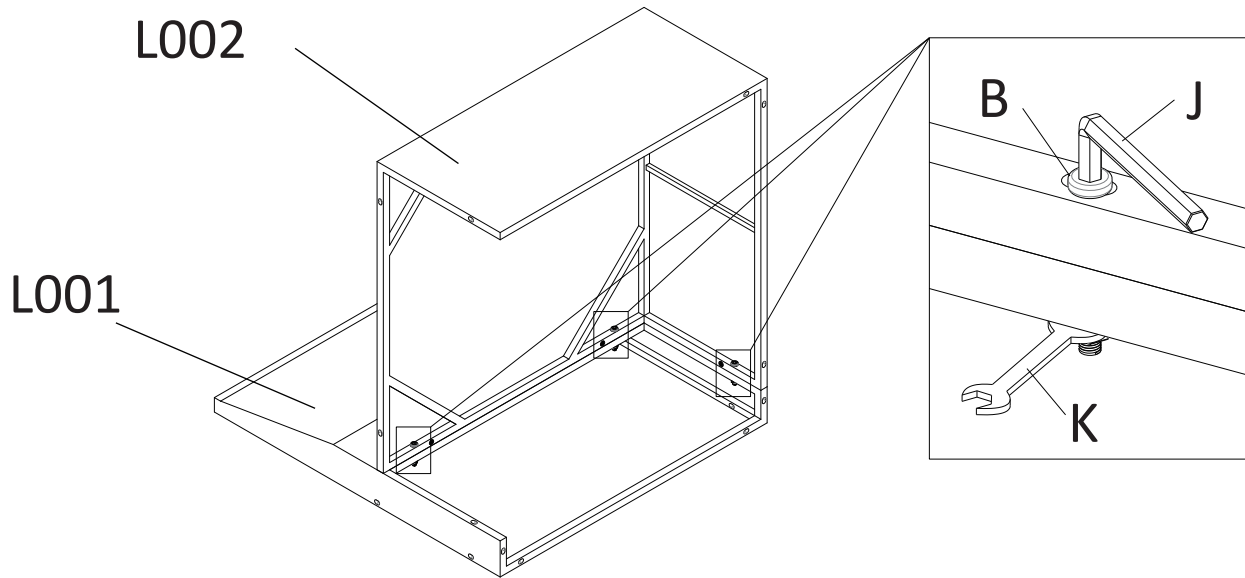
L015 x1

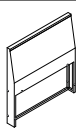
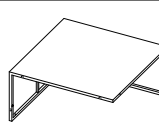






L017 x1

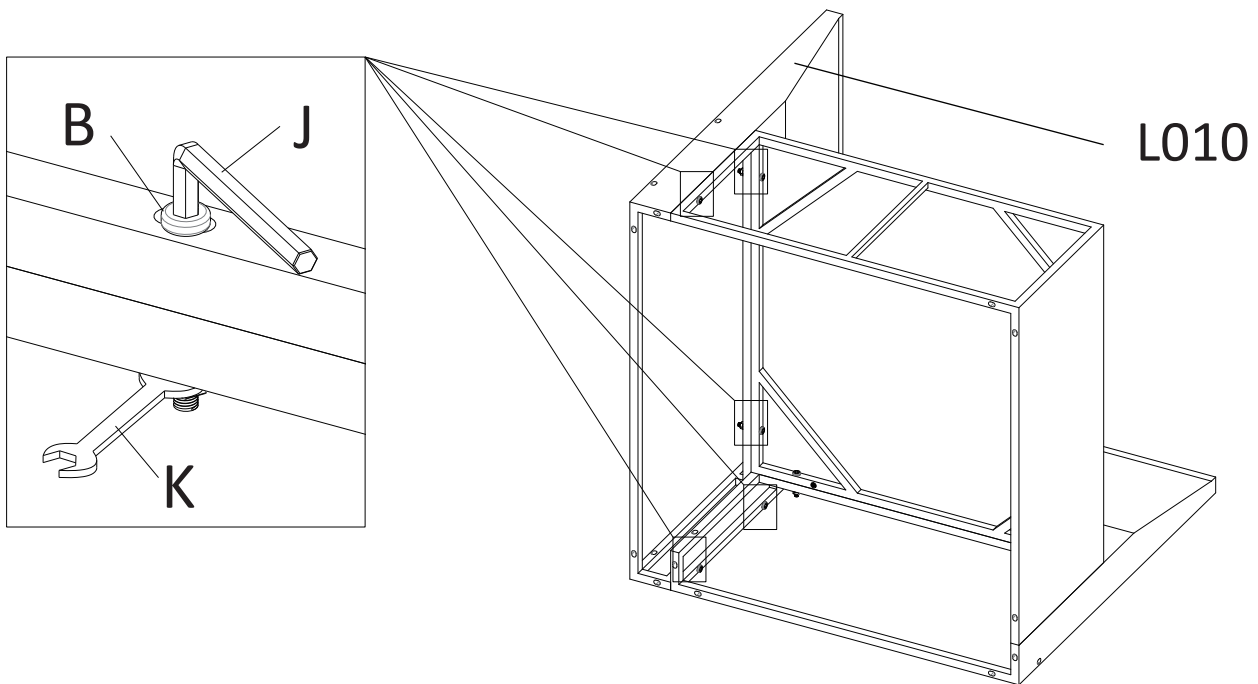
Corner Sofa

Step 1 Assemble Back Part(L001) And Seat Part(L002).
 Tips:Do not 100% Tight.



- | | | | | | |
|---|--|---|---|---|---|
|  L001 x 1 |  L002 x 1 |  B x 3 |  D x 3 |  J x 1 |  K x 1 |
|---|--|---|---|---|---|

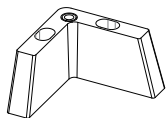
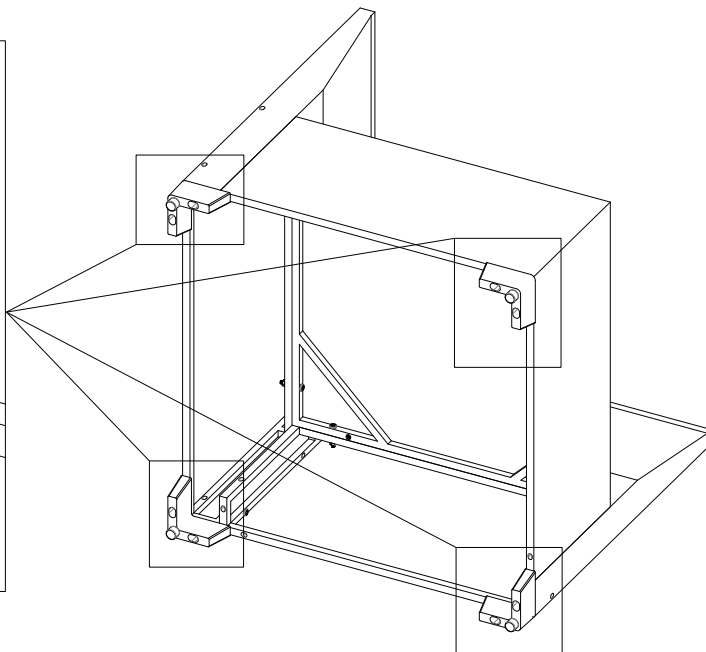
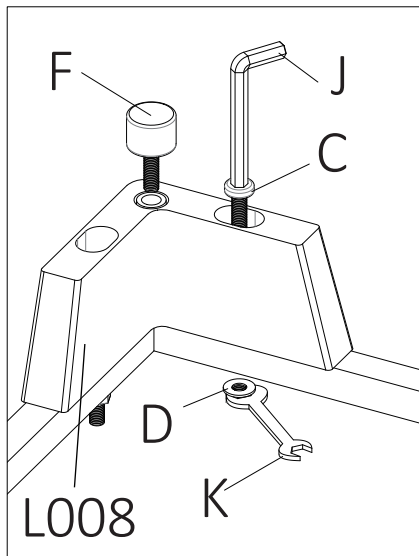
Step 2 Assemble Long Back Part(L010).
 Tips:Screws 100% Tight This Step.



- | | | | | |
|---|---|---|---|---|
|  L010 x 1 |  B x 5 |  D x 5 |  J x 1 |  K x 1 |
|---|---|---|---|---|

Corner Sofa

Step 3 Assemble High L-Shaped Feet(L007).



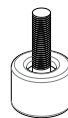
L008 x4



C x8



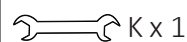
D x8



E x 4



J x 1



K x 1

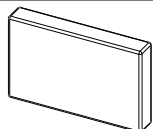
Step 4

Put the Seat Cushion(L017),Short Back Cushion(L016) and Long Back Cushion(L015) on.
 Tips:The cushions can be fixed on the back of the sofa with ties.If you don't need the ties,you can cut them off.

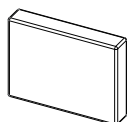
L016

L015

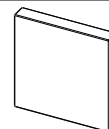
L017



L015 x1



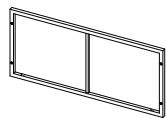
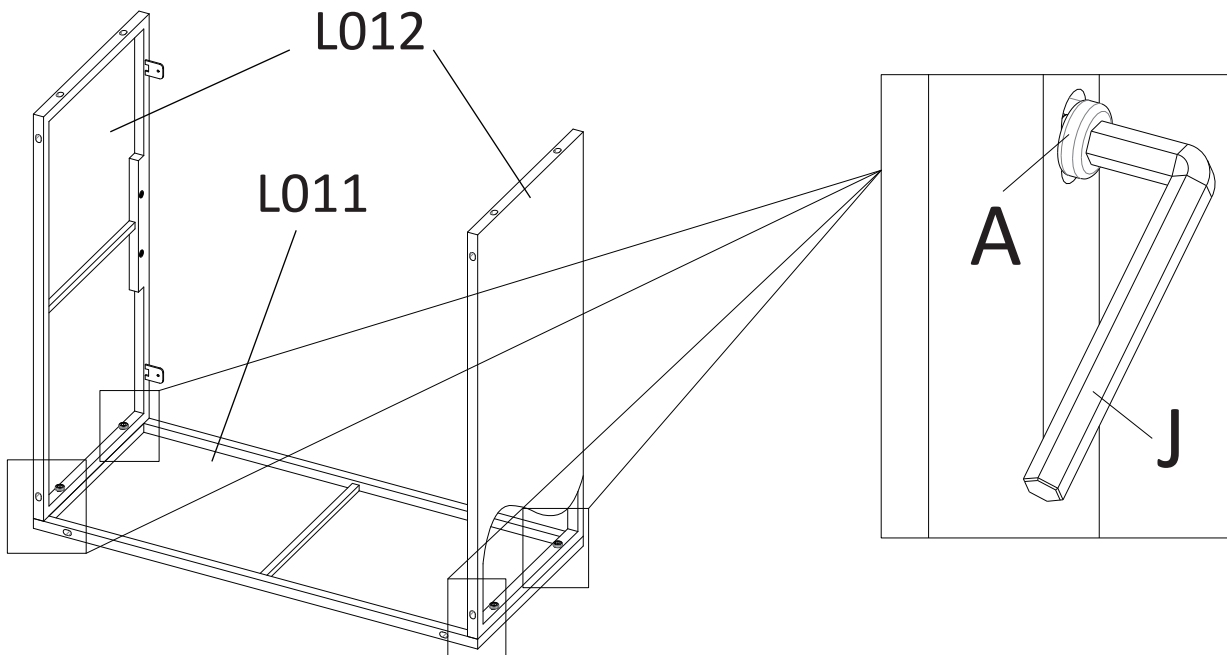
L016 x1



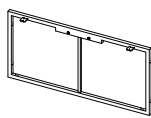
L017 x1

Coffee Table

Step 1 Assemble L011 and L012.
 Tips: Do not 100% tight.



L011 x 1



L012 x 2

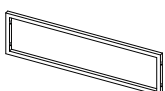
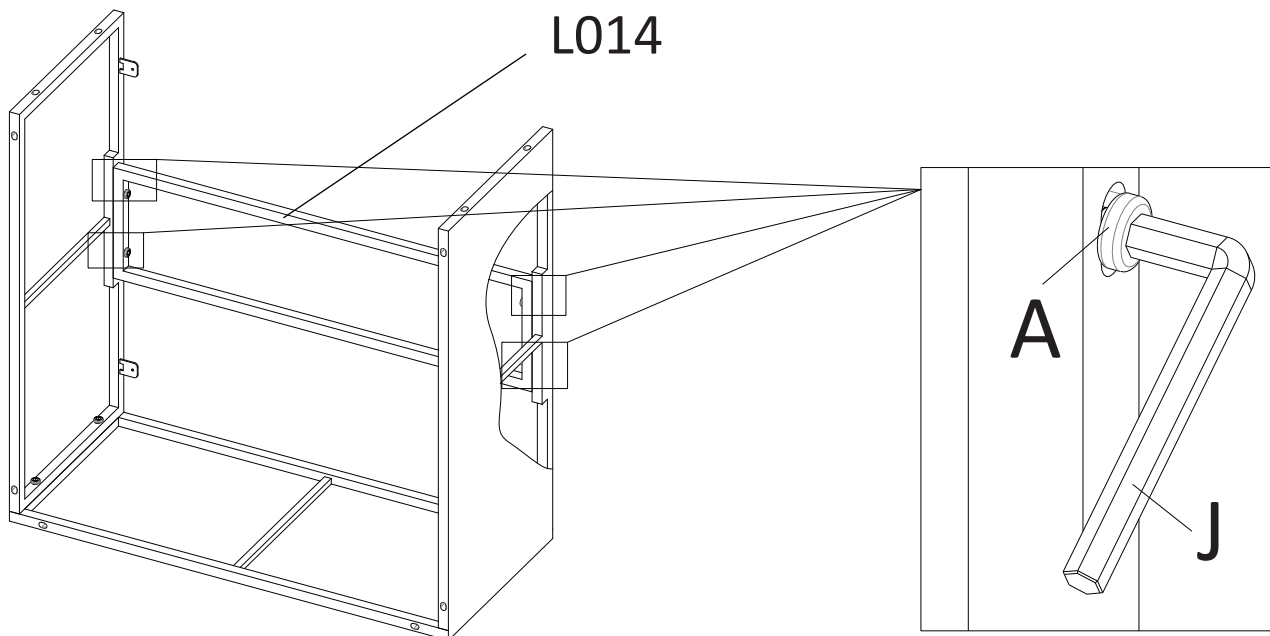


A x 4



J x 1

Step 2 Assemble L014.
 Tips: Do not 100% tight.



L014 x 1



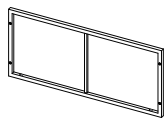
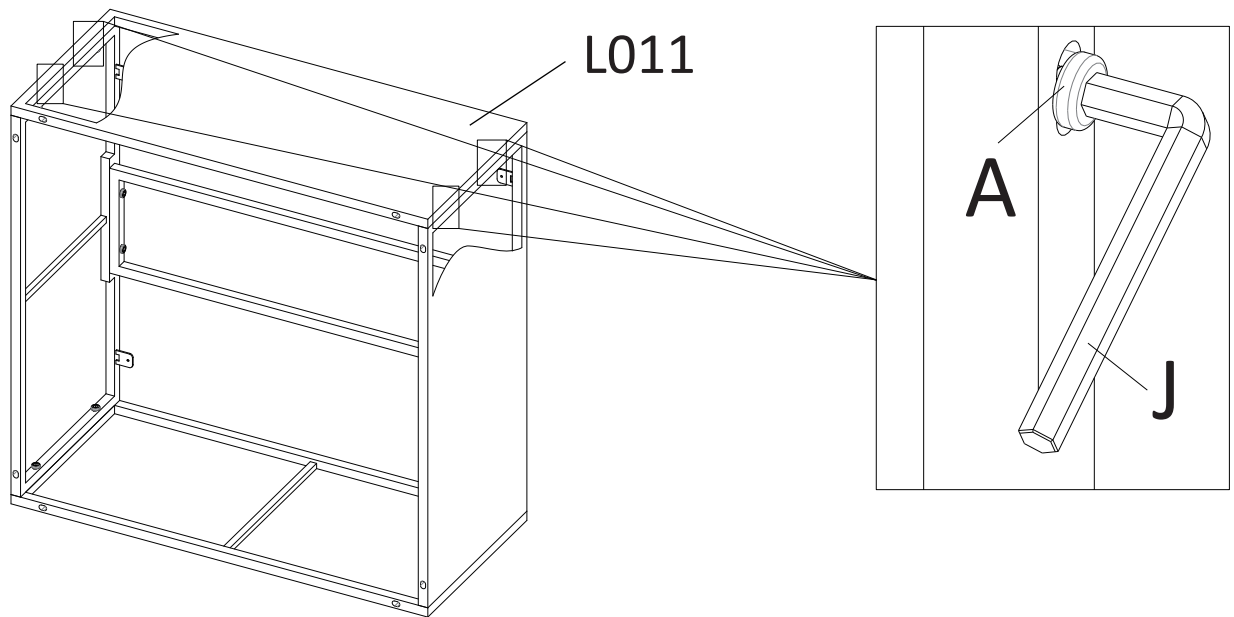
A x 4



J x 1

Coffee Table

Step 3 Assemble L011.
 Tips:Screws 100% Tight This Step.



L011 x 1

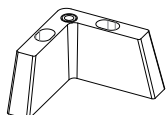
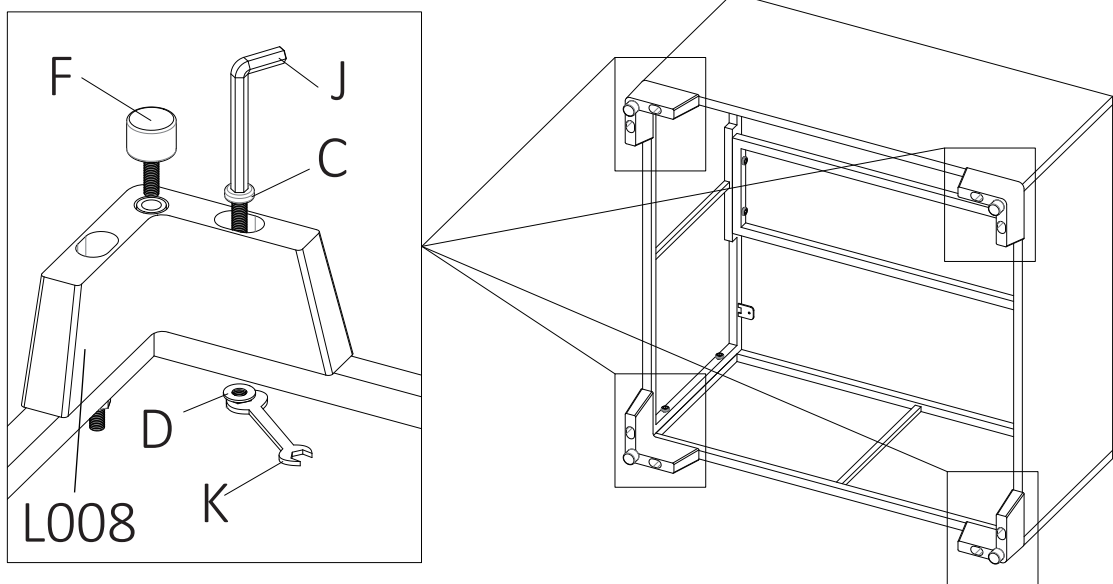


A x 4



J x 1

Step 4 Assemble High L-Shaped Feet(L007).



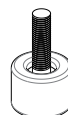
L008 x 4



C x 8



D x 8



E x 4



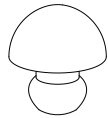
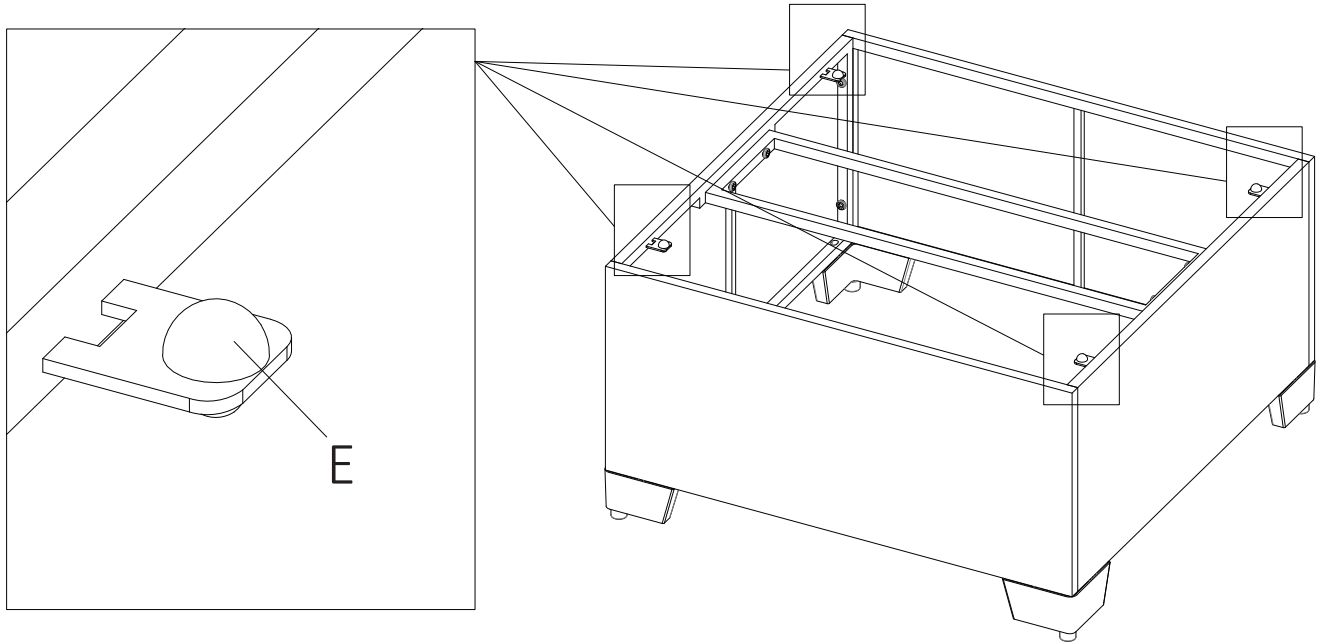
J x 1



K x 1

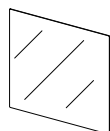
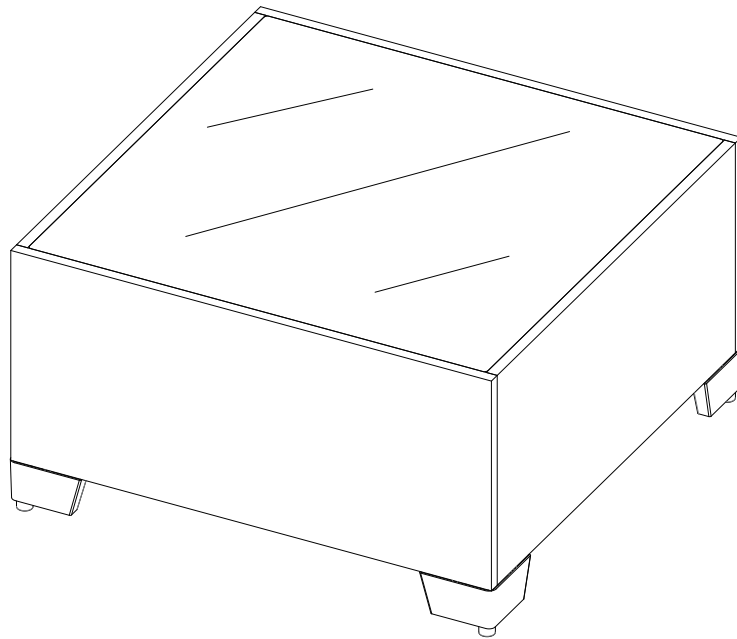
Coffee Table

Step 5 Press in the Glass Pads(E).



E x 4

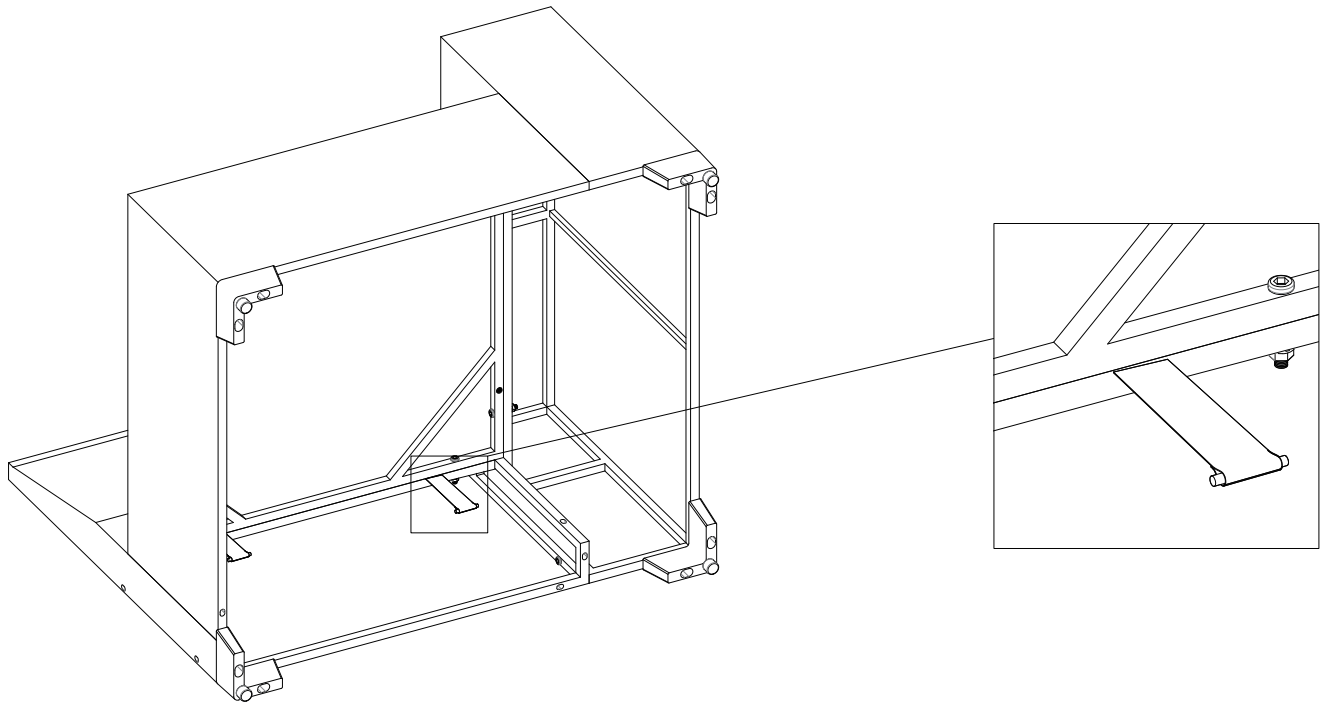
Step 6 Put on the Glass Top(L013).



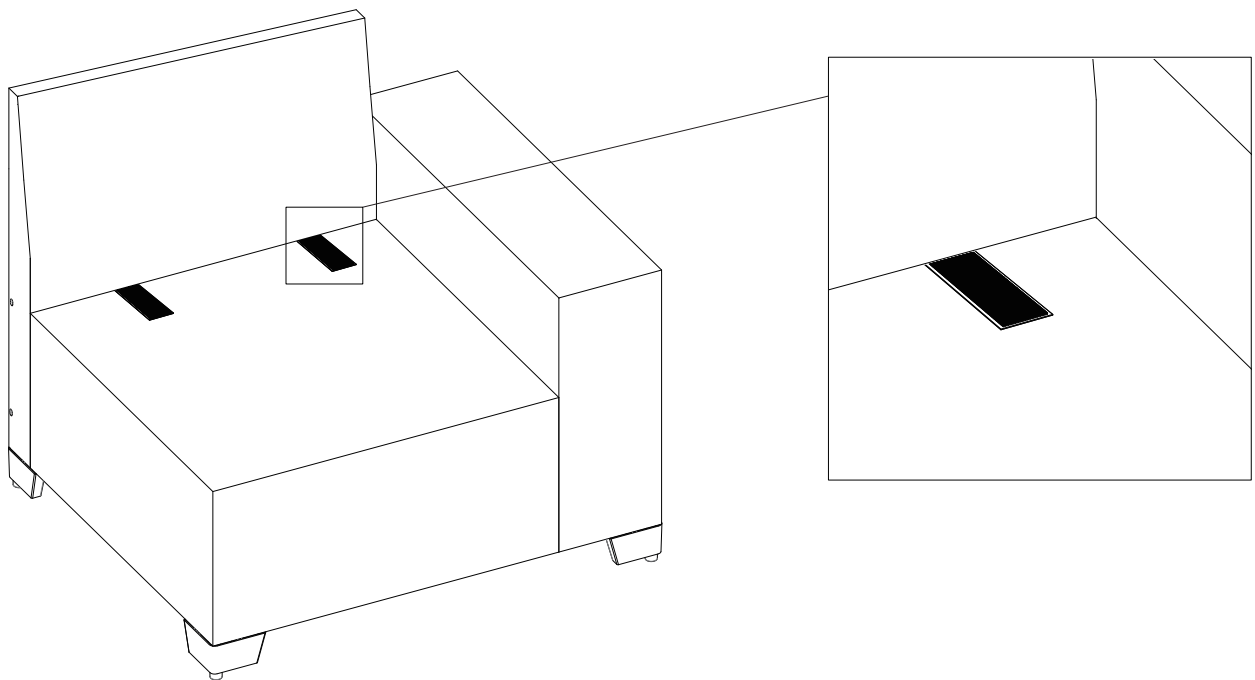
L013 x 1

Accessory Replacement

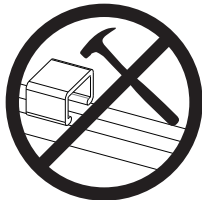
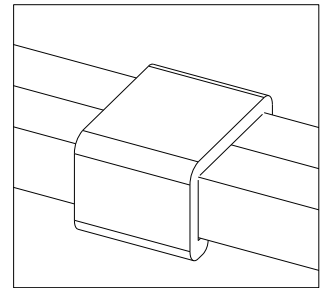
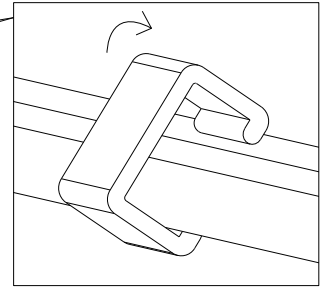
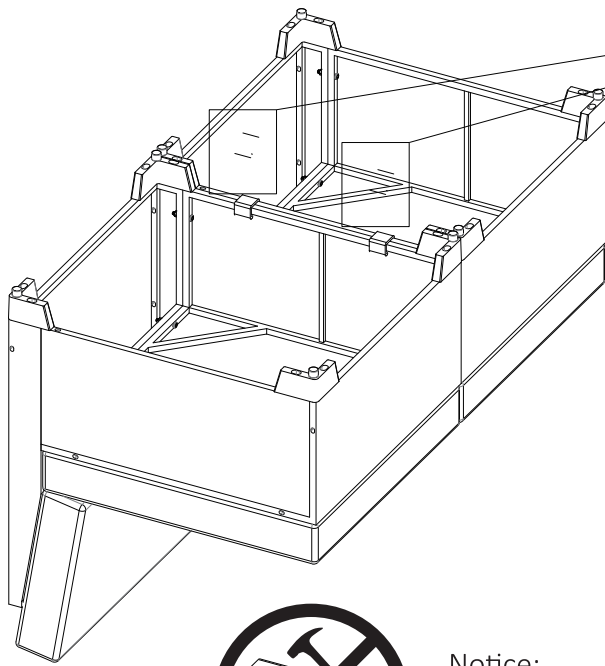
Step 1 Tuck the prickly tie out of the seam at the bottom of the sofa.



Step 2 Pull out the prickly tie from the surface of the sofa to spread out and adjust to the right position



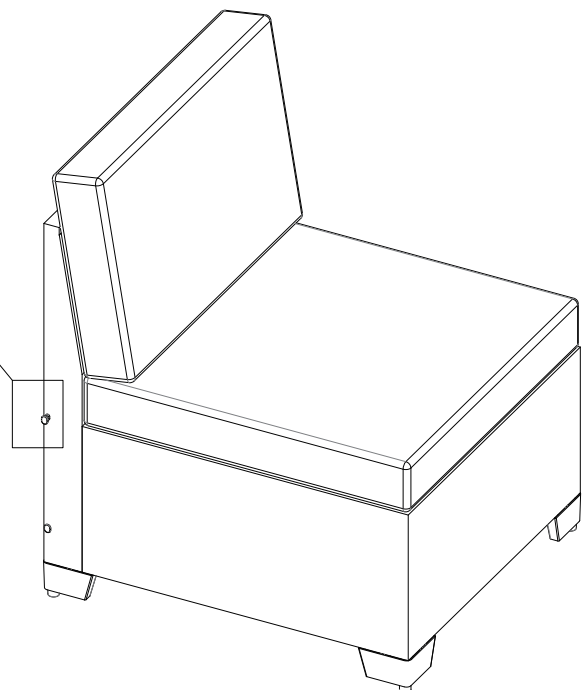
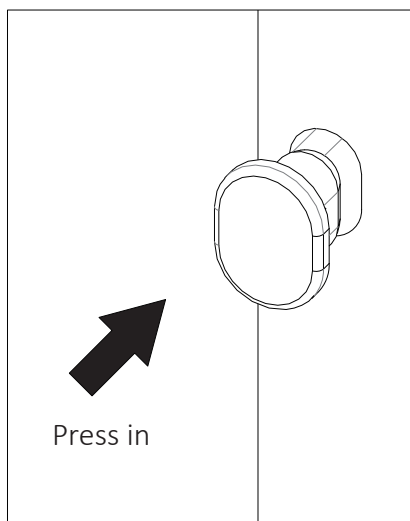
U-Shaped Connector



Notice:
Do not use tools such as hammers;
You can scald it with hot water to soften it.

How to Assemble End Cap

You can cover all the holes by press in the end caps.



Cushion Manual



5pcs white foam for seat cushion
5pcs PP cotton filler for long back pillow
1pc PP cotton filler for short back pillow



5pcs long back pillow covers
1pc short back pillow covers



5pcs seat cushion covers



Open pillow filler packing



Put the pillow filler inside the cover



Back pillow



Open seat cushion white foam packing



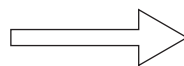
Put the white foam inside the cover



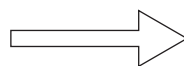
Seat Cushion



1pc short back pillows



5pcs long back pillows



5pcs seat cushions

Please Note:

Because the cushion and pillow infilling is vacuum packed, So after you open the bag and put them into the covers, The springback of the PP cotton of pillow need some more time than the white foam cushion, usually need 3-4 days. It can make the time shorter if slapping the pillows with the palm or other flat object.