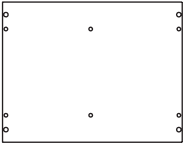
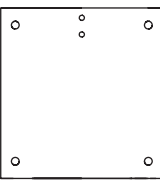
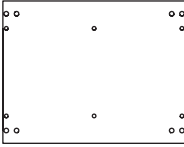
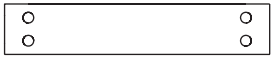
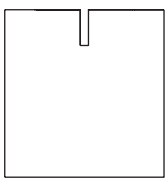
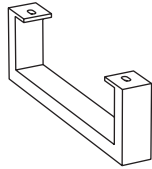
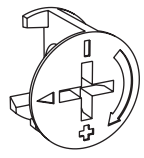
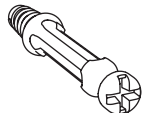
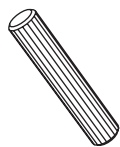

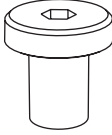
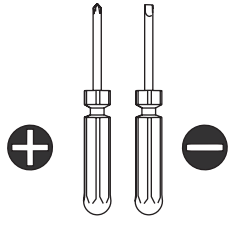
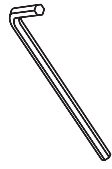

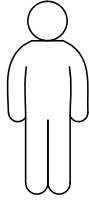
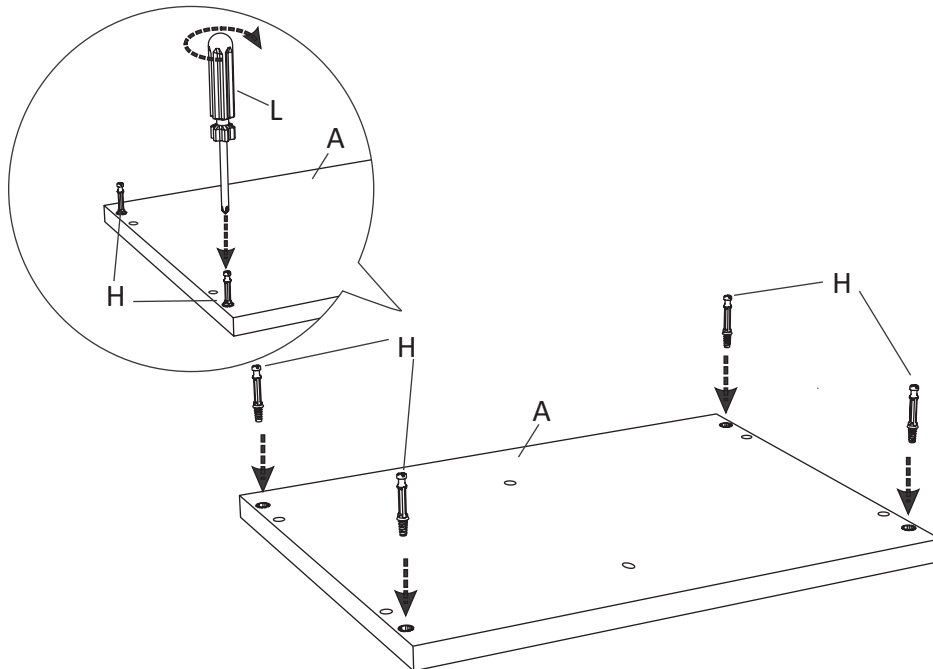
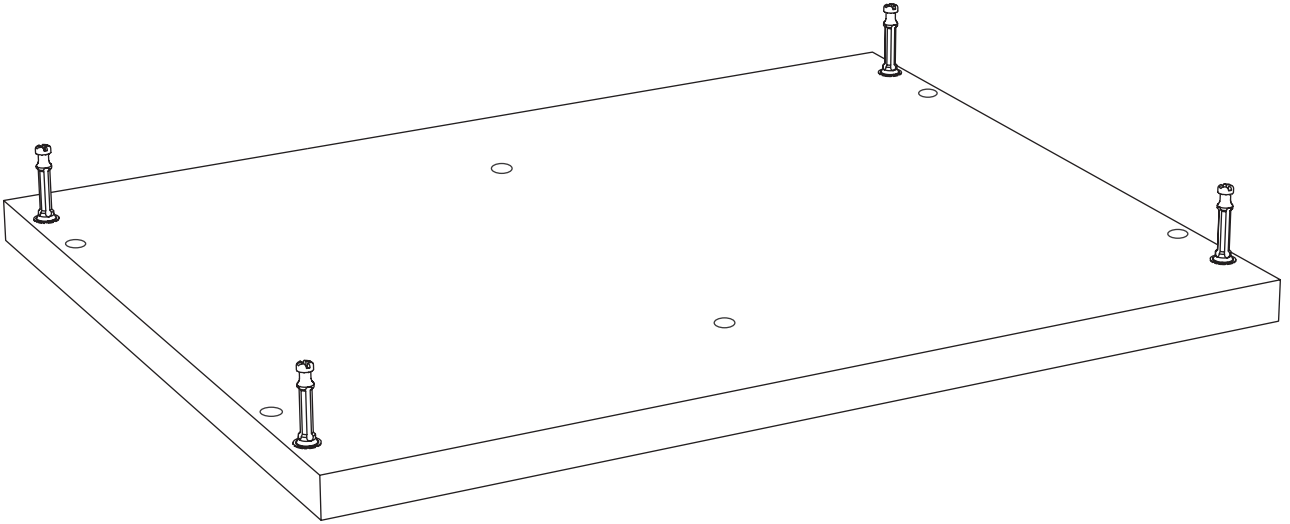


<p>Ax1</p>  <p>$\frac{400 \times 312}{15.7 \times 12.3}$</p>	<p>Bx2</p>  <p>$\frac{312 \times 328}{12.3 \times 12.9}$</p>	<p>Cx1</p>  <p>$\frac{400 \times 312}{15.7 \times 12.3}$</p>	<p>Dx1</p>  <p>$\frac{70 \times 368}{2.8 \times 14.5}$</p>
<p>Ex1</p> 	<p>Fx2</p>  <p>$\frac{40 \times 100 \times 310}{1.6 \times 3.9 \times 12.2}$</p>	<p>Gx12</p>  <p>$\frac{\phi 15 \times 11}{0.6 \times 0.4}$</p>	<p>Hx12</p>  <p>$\frac{\phi 6 \times 36}{0.2 \times 1.4}$</p>
<p>Ix12</p>  <p>$\frac{\phi 8 \times 40}{0.3 \times 1.6}$</p>	<p>Jx4</p>  <p>$\frac{\phi 6 \times 16}{0.2 \times 0.6}$</p>	<p>Kx4</p>  <p>$\frac{\phi 8 \times 12}{0.3 \times 0.5}$</p>	<p>Lx1</p> 
<p>Mx1</p>  <p>$\frac{\phi 5}{0.2}$</p>	<p>Nx4</p>  <p>$\frac{\phi 6}{0.2}$</p>	 <p>mm inch</p> <p>x2</p>	

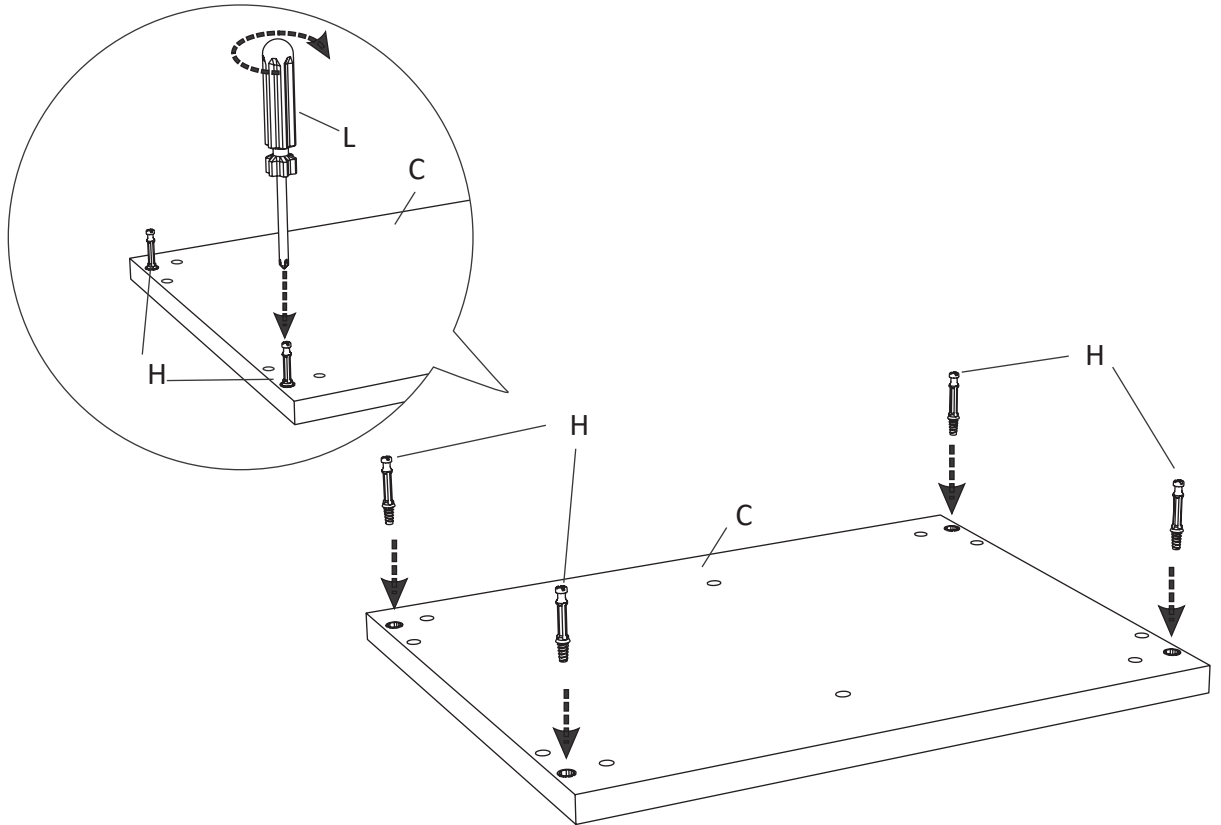
1



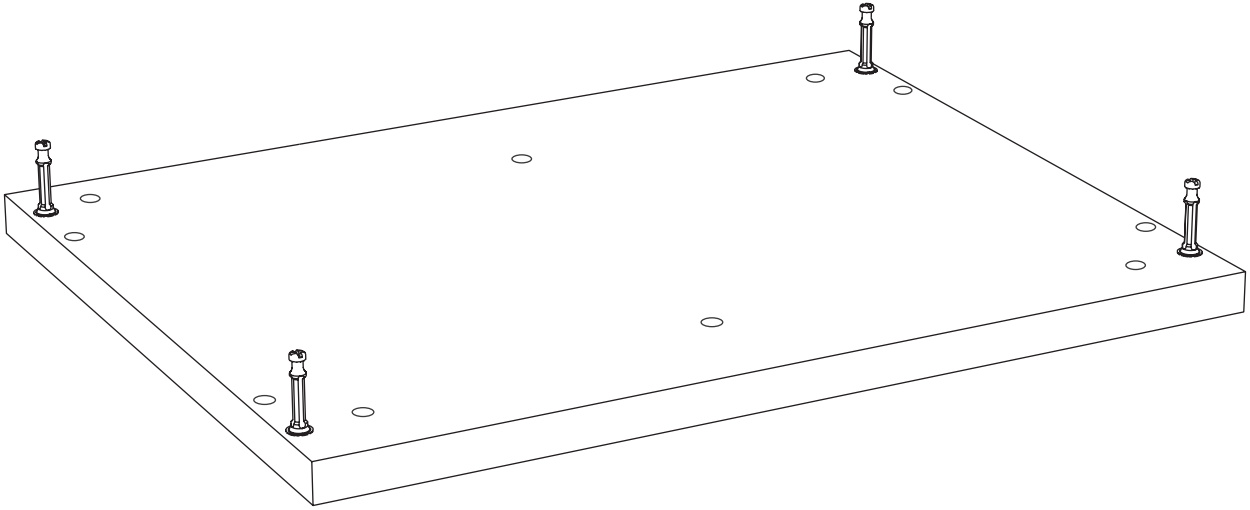
2



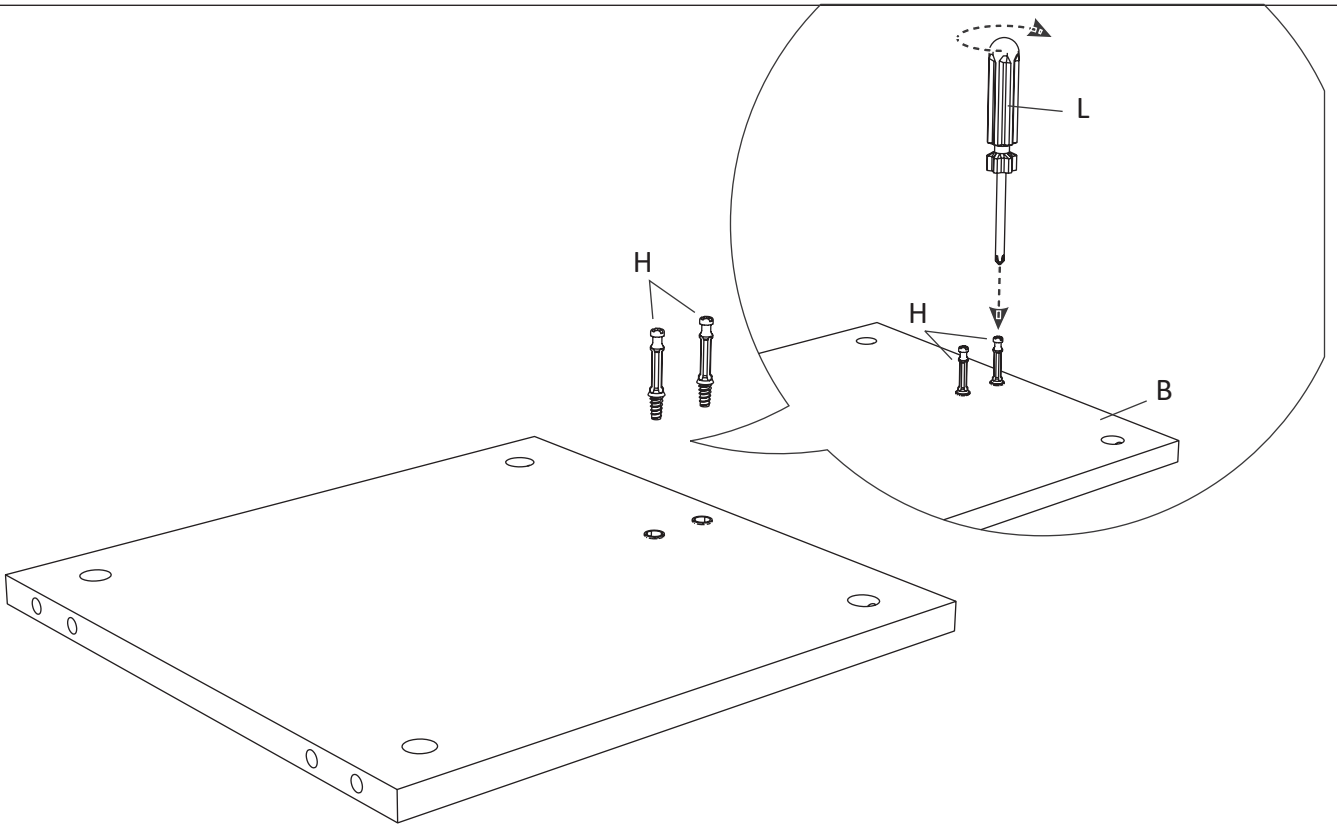
3



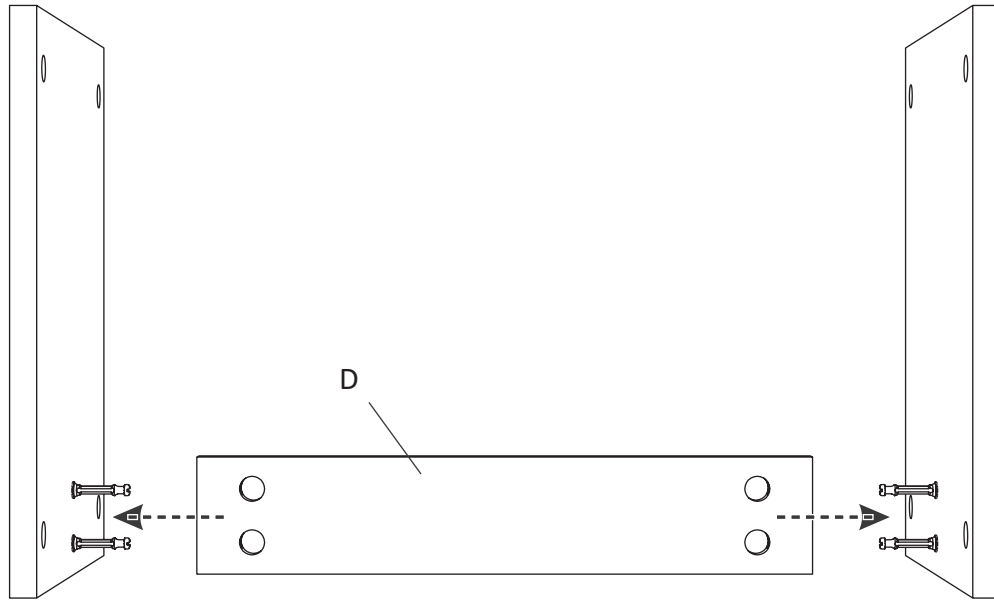
4



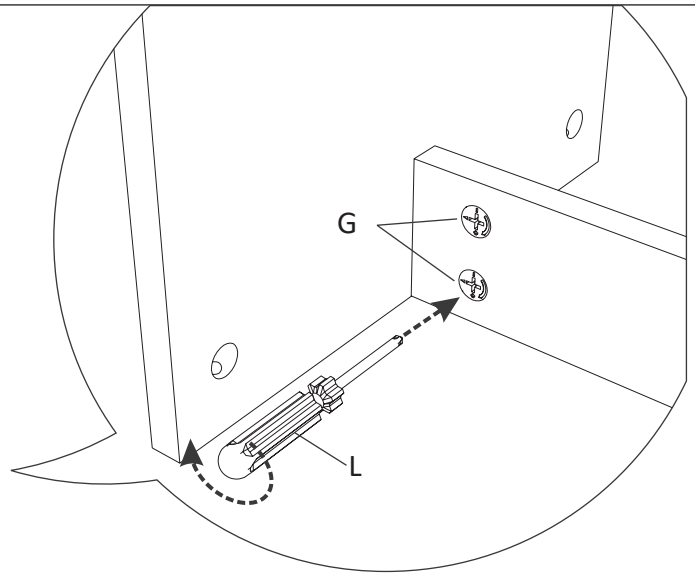
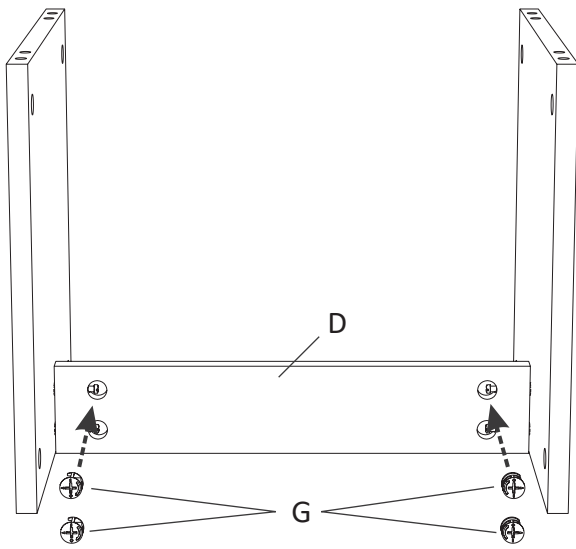
5



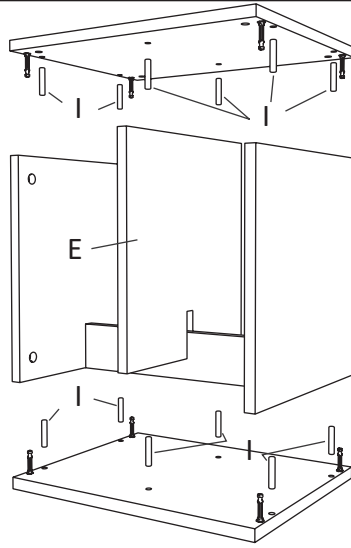
6



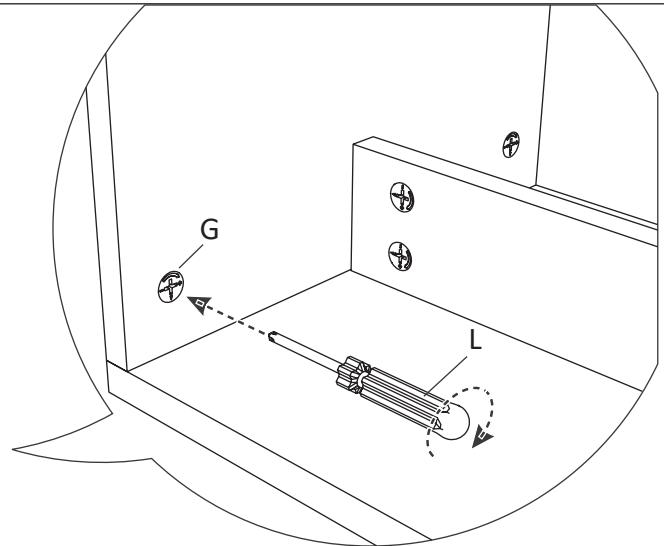
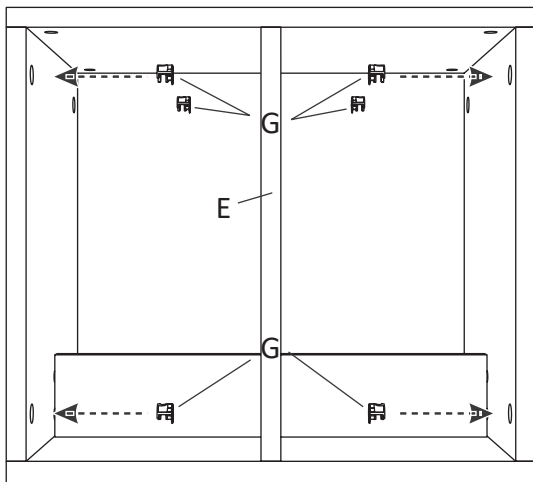
7



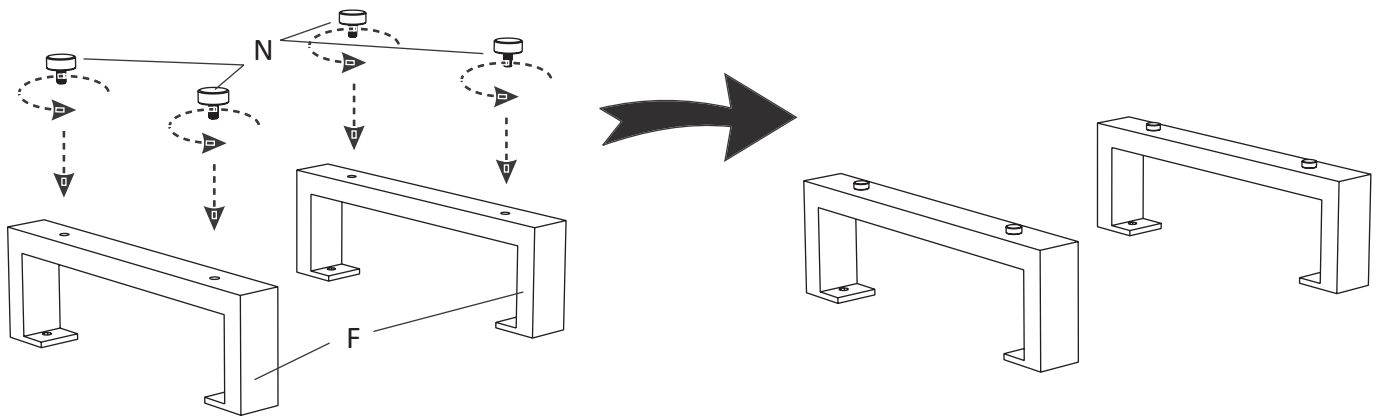
8



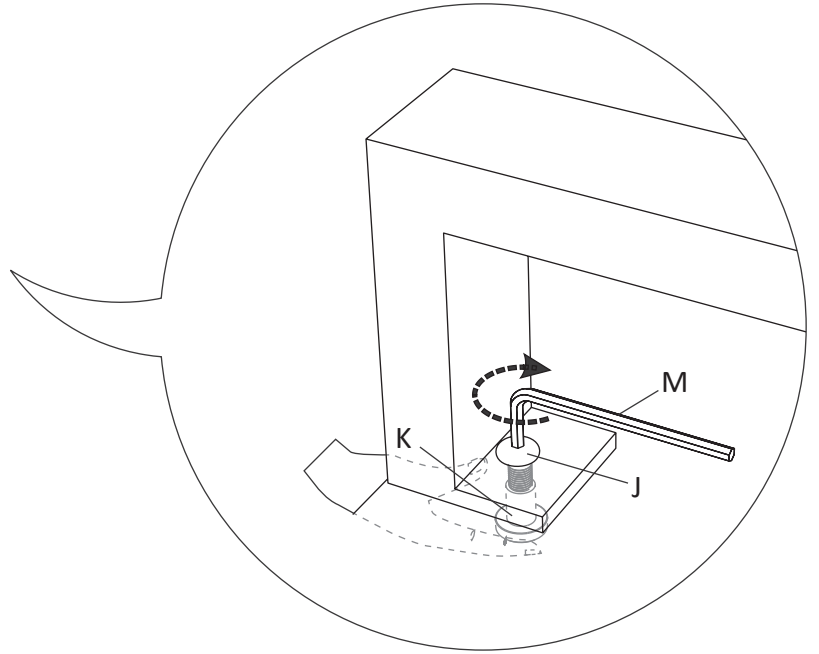
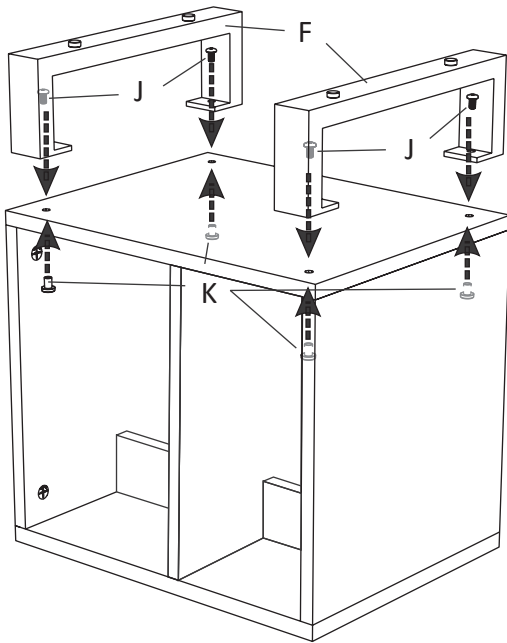
9



10



11



12

