

ASSEMBLY INSTRUCTIONS

ITEM NO: HL204

Read all instructions before assembly and use. KEEP INSTRUCTIONS FOR FUTURE USE

Due to the presence of small parts during assembly, keep out of reach of children until assembly is complete.



THIS PRODUCT IS NOT INTENDED FOR INSTITUTIONAL OR COMMERCIAL USE.

CAUTION:

ANY MATTRESS USED IN THIS CRIB SHALL BE AT LEAST 27 1/4 BY 51 5/8 IN. WITH A THICKNESS NOT EXCEEDING 6 IN.

WARNING !

- Infants can suffocate on soft bedding. Never add a pillow or comforter or additional padding under an infant.
- Failure to follow these warnings and the assembly instructions could result in serious injury or death.
- DO NOT use this crib if you cannot exactly follow the accompanying instructions.
- To reduce the risk of SIDS, pediatricians recommend healthy infants be placed on their backs to sleep, unless otherwise advised by your physician.
- Strangulation Hazard: STRINGS CAN CAUSE STRANGULATION! Do not place items with a string around a child's neck, such as hood strings or pacifier cord. Do not suspend strings over a crib or attach strings to toys. To help prevent strangulation tighten all fasteners. A child can trap parts of the body or clothing on loose fasteners. Do not place crib near window or patio door where cords from blinds or drapes may strangle a child.
- Fall Hazard: When child is able to pull to a standing position, set mattress to lowest position and remove bumper pads, large toys and other objects that could serve as steps for climbing out. This crib has an adjustable mattress support. For the convenience of the parent when the baby is very small, the mattress support may be used in the highest position. Important: with the mattress support and mattress in the highest position, be absolutely sure that the top of the front crib side is at least 3 inches higher than the top surface of the mattress. If it is not, lower the mattress support and the mattress to the next highest position. Stop using crib when child begins to climb out or reaches height of 35in (89cm). The child should be placed in a youth or regular bed.
- Check this product for damage hardware, loose joints, loose bolts or other fasteners, missing parts, or sharp edges before and assembly and after frequent usage. Securely tighten loose bolts and other fasteners. Do not use crib if any parts are missing, damaged or broken. Contact supplier for replacement parts and instruction literature. Do not substitute parts.
- Follow warnings on all products in a crib.
- If refinishing, use a non-toxic finish specified for children's products.
- Never use the plastic shipping bags or other plastic film as mattress covers because they can cause suffocation.
- Infants can suffocate in gaps between crib sides and a mattress that is too small.
- Ensure a safe environment for the child by checking regularly the crib that every component is properly and securely in place.
- To avoid head injury, do not allow any child to play underneath the crib.
- Never add an accessory such as a bassinet or changing table that extends over the sleeping area.
- In Canada Only - Use a crib mattress that is not thicker than 15cm and is of such a size that, when it is pushed firmly against any side of the crib, it does not leave a gap of more than 3cm between the mattress and any part of the sides of the crib. Do not use this crib for a child who can climb out of it or who is taller than 90cm.

TODDLER BED

WARNING !

INFANTS HAVE DIED IN TODDLER BEDS FROM ENTRAPMENT.

Openings in and between bed parts can entrap head and neck of a small child.

NEVER use bed with children younger than 15 months.

ALWAYS follow assembly instructions.

The maximum user weight is 50lbs(22.7kg)

WARNING !

STRANGULATION HAZARD:

NEVER place bed near windows where cords from blinds or drapes may strangle a child.

NEVER suspend strings over a bed.

NEVER place items with a string, cord, or ribbon, such as hood strings or pacifier around a child's neck. These items may catch on bed parts.

CAUTION:

ENTRAPMENT HAZARD:

To avoid dangerous gaps, any mattress used in this bed shall be a full-size crib mattress at least 51 5/8in (1310mm) in length, 27 1/4 (690mm) in width and 4in thickness. The mattress thickness must not exceed 6in (150mm).

NOTES ON ASSEMBLY:

- During the assembly process whenever using screws or bolts, check each by placing the screw/bolt on the diagram of the item which is drawn actual size and design. Be sure to use the proper size and shape specified in the instructions.
- To assemble this unit you may be required to place the unit on its side and face. It is strongly recommended that assembly is done on a soft, non-abrasive surface to avoid damage to the finish.

NOTES ON USE:

Keep children and others safe by following these simple rules:

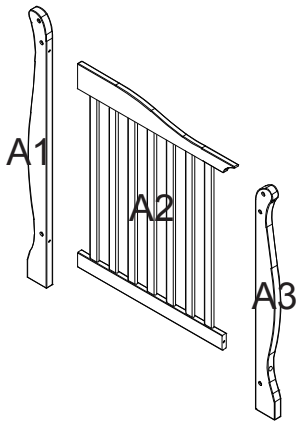
- Do not allow any child to play on furniture.
- Do not allow climbing on the crib.
- Do not allow hanging from any piece of the crib.
- Always monitor your child's activity when in the nursery.

NOTES ON CARE AND MAINTENANCE:

- Do not scratch or chip the finish.
- Inspect the product periodically, contact Manufacture for replacement parts or questions.
- Do not store the product or any parts in extreme temperatures and conditions such as a hot attic or a damp, cold basement. These extremes can cause a loss of structural integrity.
- To preserve the luster of the high quality finish on your product, it is recommended to place a doily or felt pad under any items you place on the floor.
- Clean with a damp cloth, then a dry cloth to preserve the original luster and beauty of this fine finish. Do not use abrasive chemicals.
- Do not spray cleaners directly onto furniture.
- Lift slightly when moving on carpeting to prevent leg breakage.
- Use of a vaporizer near furniture will cause wood to swell and finish to peel.

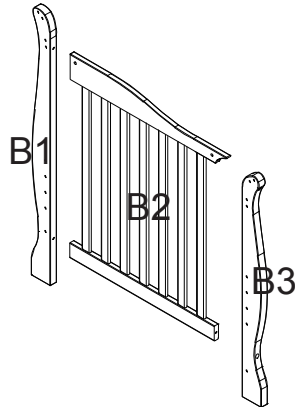
PARTS: MAKE SURE THAT ALL PRE-ASSEMBLED PARTS ARE TIGHT.

A: Left HeadBoard (1 pc)

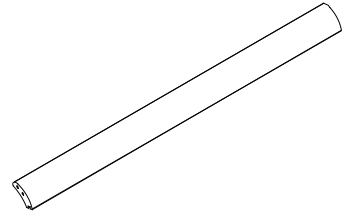


A1:Left Back Leg (1pc)
A2:Left Headboard (1pc)
A3:Left Front Leg (1pc)

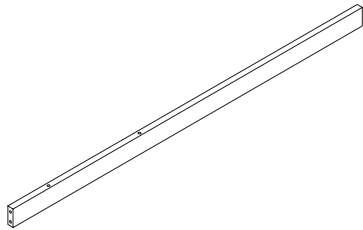
B: Right HeadBoard (1 pc)



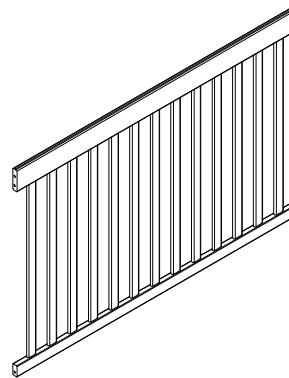
B1:Right Back Leg (1pc)
B2:Right Headboard (1pc)
B3:Right Front Leg (1pc)



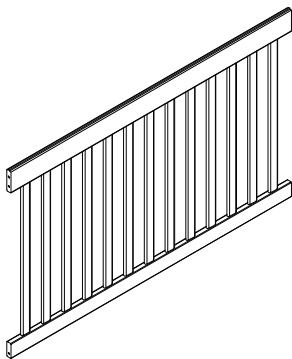
C:Top Rail (2 pc)



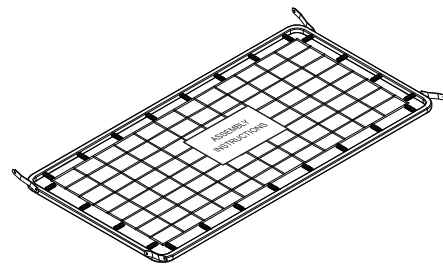
J: Bottom Bar (1pc)



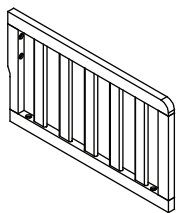
E: Back Rail (1 pc)



F: Front Rail (1 pc)



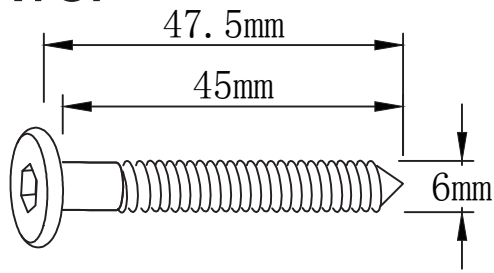
G. Mattress Support (1 pc)



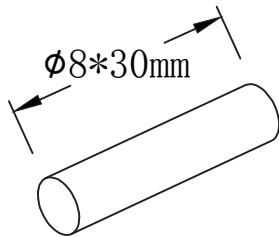
K: Toddler Rail (1PC)

POUCH ATTACHED TO MATTRESS SUPPORT
-KEEP INSTRUCTIONS IN THIS POUCH
AFTER ASSEMBLY.
WARNINGS RELATED TO THE SAFE USE OF
THIS CRIB ARE PRINTED ON THE POUCH.

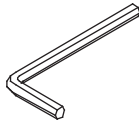
PARTS:



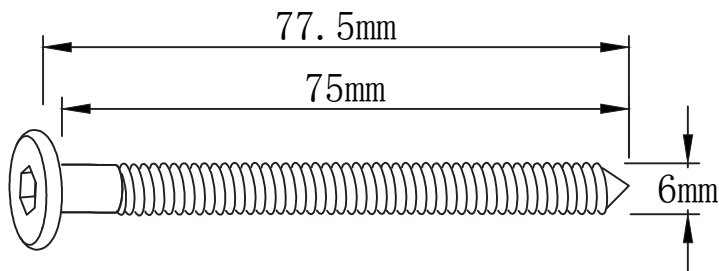
a. M6x45 Allen head bolt (7pcs)



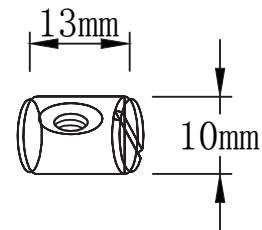
b. Wood dowels (8pcs)



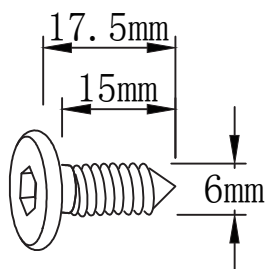
c. Allen wrench (1pc)



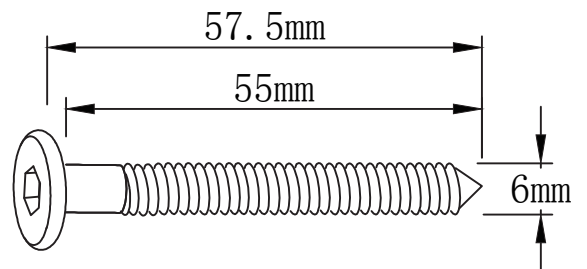
d. M6x75 Allen head bolt (8pcs)



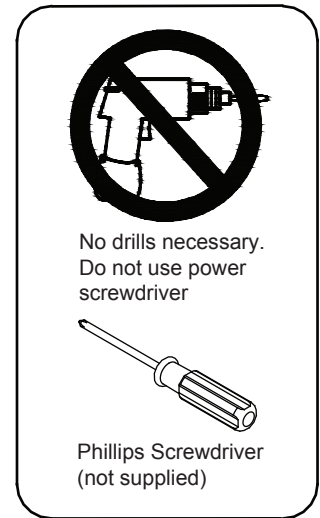
e. Barrel nuts (16pcs)



f. M6x15 Allen head bolt (4pcs)



g. M6x55 Allen head bolt (8pcs)

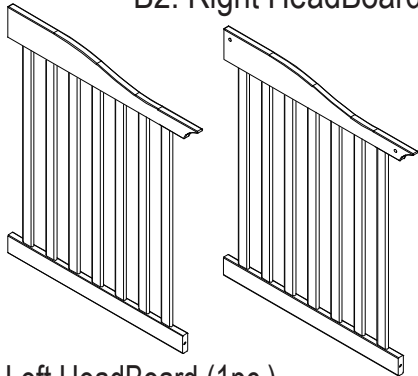


SECTION 1: Crib Assembly

STEP 1

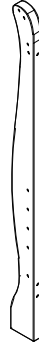
Parts and tools required to complete step.

B2. Right HeadBoard (1pc)



A2. Left HeadBoard (1pc)

A3. Left Front Leg (1pc)

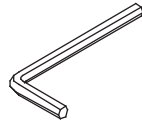


A1. Left Back Leg (1pc)

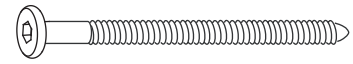
B1. Right Back Leg (1pc)



B3. Right Front Leg (1pc)



c. Allen Wrench (1pc)



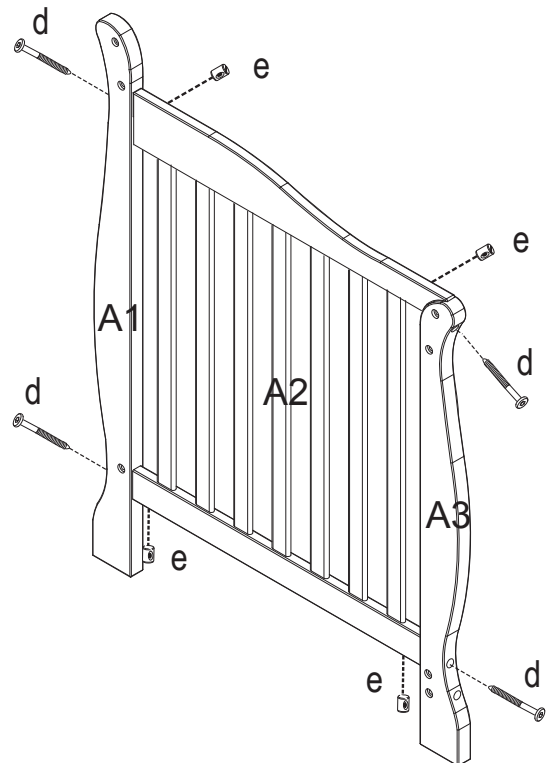
d.M6x75 Allen Head Bolt (8pcs)



e. Barrel Nuts (8pcs)

Attach Left Back Leg (A1) and Left Front Leg (A3) to Left Headboard (A2) using M6X75mm bolts (d) and barrel nuts (e). Tighten with the M4 Allen Wrench. Use a Flat HEAD Screwdriver to hold the Barrel Nut in the proper alignment. Repeat the same to Right side of Crib.

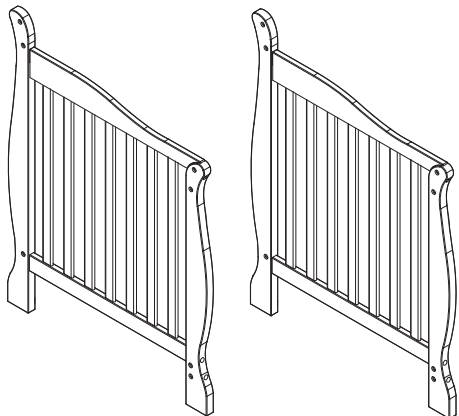
NOTE: AFTER ASSEMBLY, THE " HOLES" IN BOTH POSTS ARE ON THE SAME SIDE.



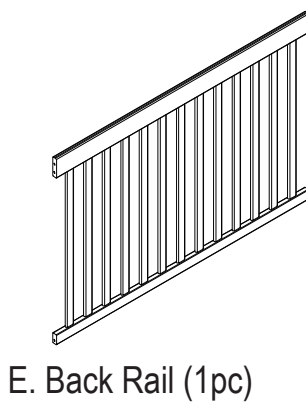
SECTION 1: Crib Assembly

STEP 2

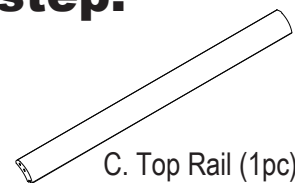
Parts and tools required to complete step.



From Step 1



E. Back Rail (1pc)



C. Top Rail (1pc)



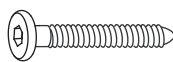
e. Barrel Nuts (4pcs)



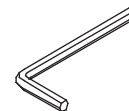
b Wood Dowels(4pcs)



a.M6x45 Allen Head Bolt(2pcs)

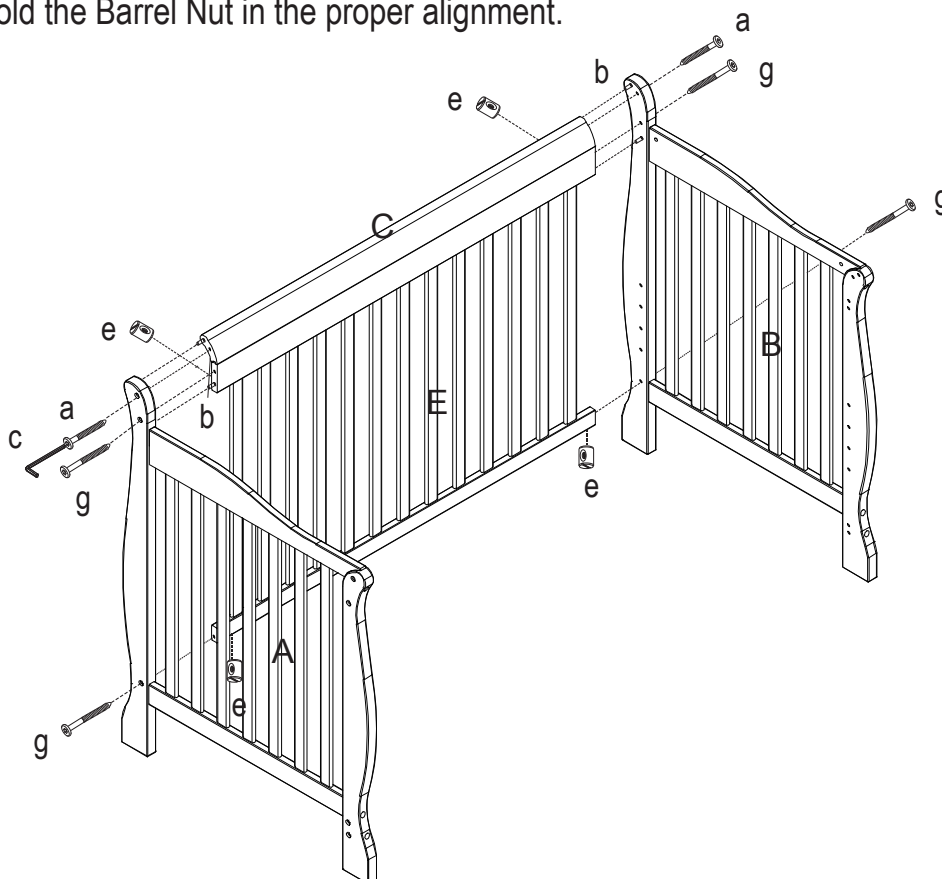


g.M6x55 Allen Head Bolt(4pcs)



c. Allen Wrench

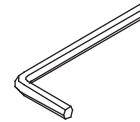
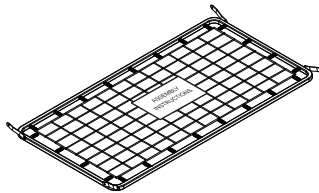
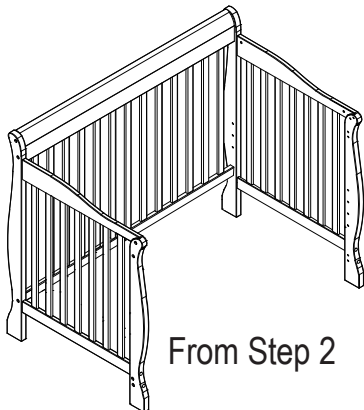
Clip Top Rail (C) to the top of Back Rail (E) then attach Top Rail (C) and Back Rail (E) to Back Left Leg (A1) and Back Right Leg (B1) using Wood Dowels (b), Bolts (a/g), Barrel Nuts (e) .Tighten with the Allen Wrench (c) . Use the Flat Head Screwdriver to hold the Barrel Nut in the proper alignment.



SECTION 1: Crib Assembly

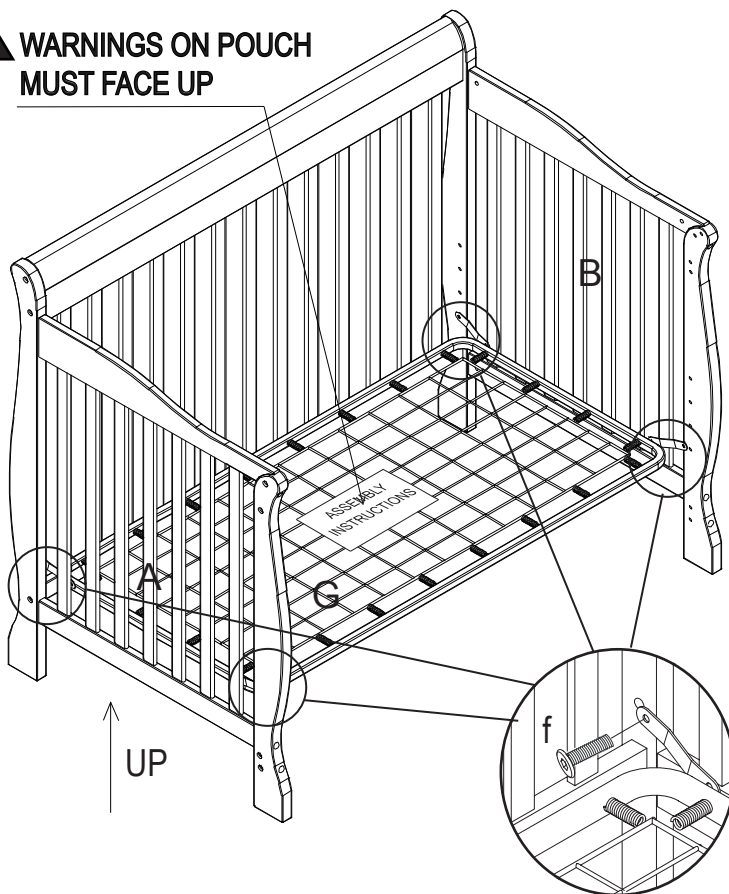
STEP 3

Parts and tools required to complete step.



Attach the Mattress Support (G) in all corners using Bolt (f) in each corner. Tighten with the Allen Wrench.

▲ WARNINGS ON POUCH MUST FACE UP



The **▲**Warnings printed on the pouch attached to the mattress support must face up, the springs must face up. This crib has adjustment positions, use the highest only for newborns, move the mattress down as the child grows.

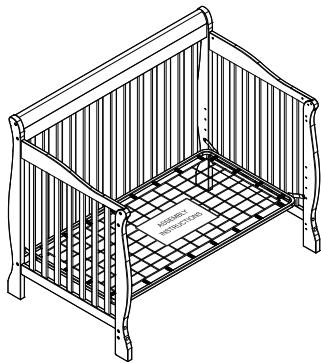
▲ WARNING:

Fall Hazard: When child is able to pull to a standing position, set mattress to lowest position and remove bumper pads, large toys and other objects that could serve as steps for climbing out.

SECTION 1: Crib Assembly

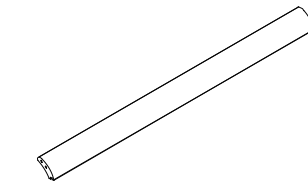
STEP 4

Parts and tools required to complete step.



From Step 3

F. Front Rail Bottom(1PC)



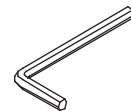
C. Top Rail (1PC)



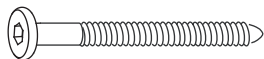
b. Wood Dowels(4PS)



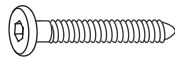
e. Barrel Nuts(4PCS)



c Allen Wrench

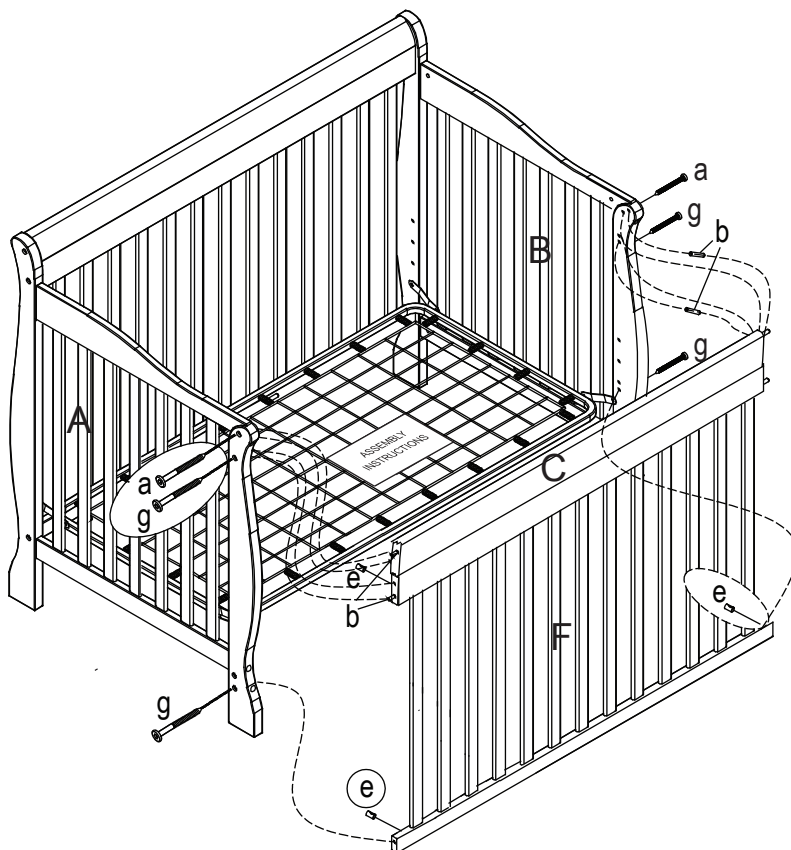


g.M6X55 Allen Head Bolt(4PCS)



a.M6x45 Allen Head Bolt(2pcs)

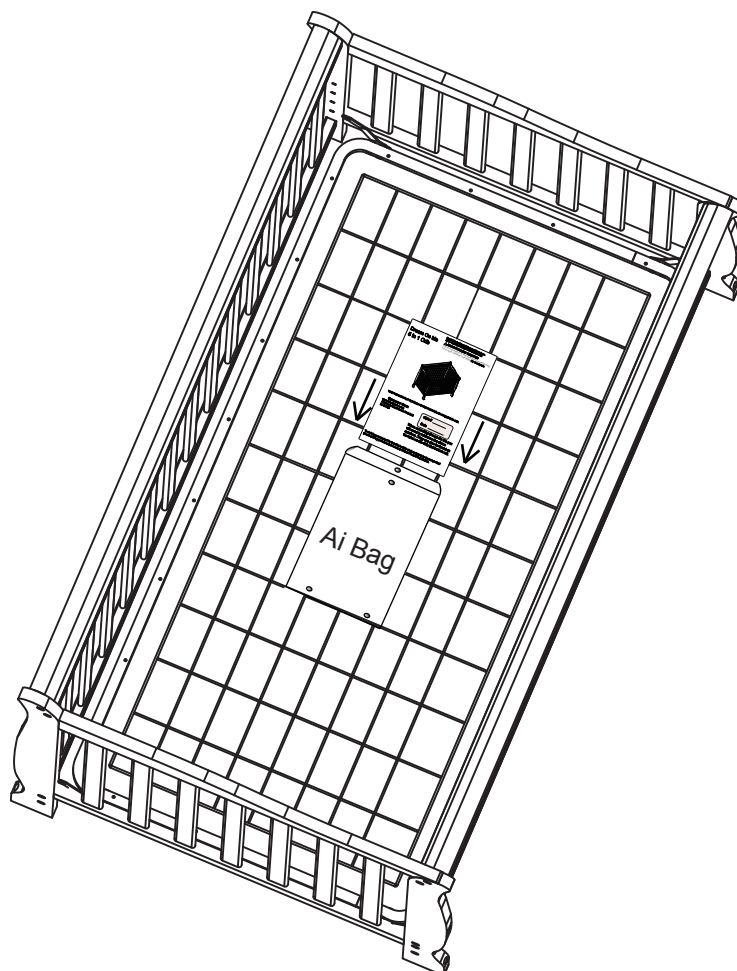
Clip Top Rail (C) to the Front of Front Rail (F) then attach Top Rail (C) and Front Rail (F) to Front Left Leg (A3) and Front Right Leg (B3) using Wood Dowels (b), Bolts (a/g), Barrel Nuts (e) .Tighten with the Allen Wrench (c) . Use the Flat Head Screwdriver to hold the Barrel Nut in the proper alignment.



SECTION 1: Crib Assembly

STEP 5

Store the assembly instruction booklet in the pouch attached to the mattress support. Store all parts and tools separately, in a safe place.

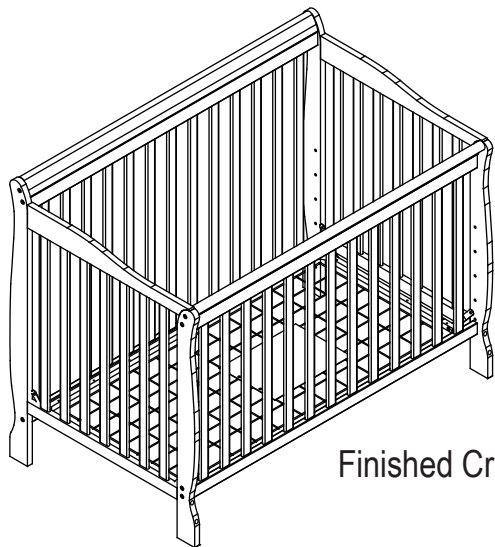


⚠ WARNING: SEE PAGE 2 FOR INFORMATION

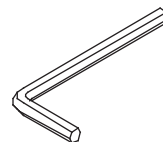
SECTION 2: Toddler Bed Conversion

STEP 1

Parts and tools required to complete step.

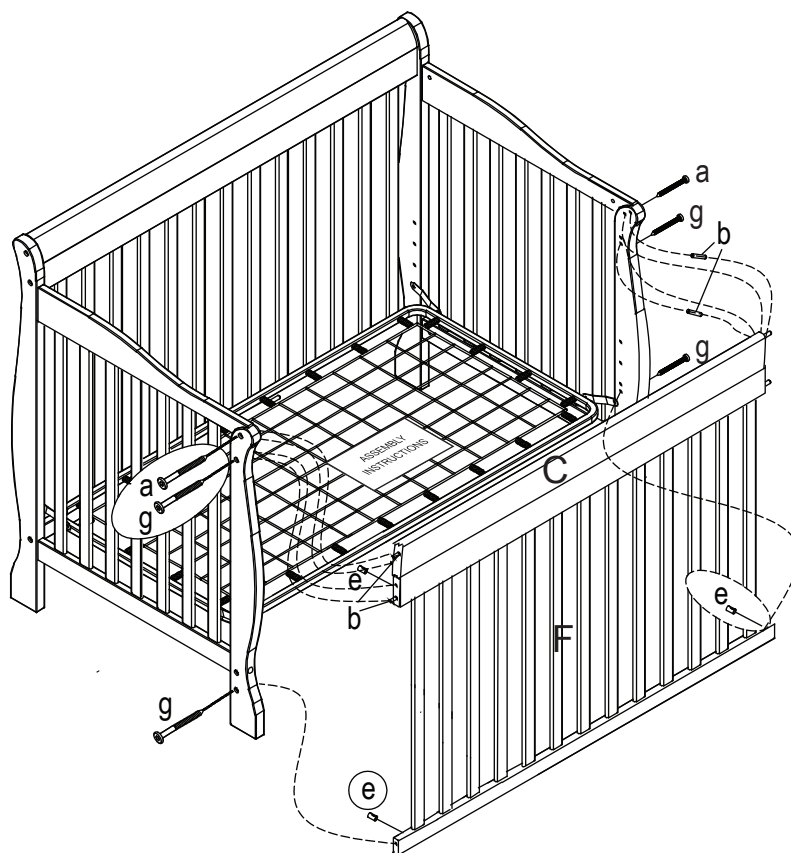


Finished Crib



c. Allen Wrench

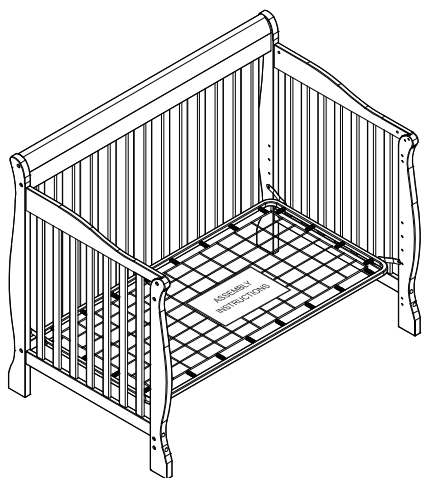
Remove the Front Rail installed in step 5 of section 1 Crib Assembly.



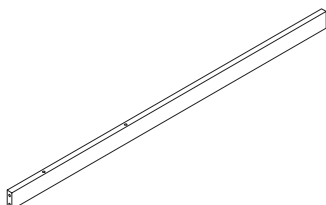
SECTION 2: Toddler Bed Conversion

STEP 2

Parts and tools required to complete step.



SECTION 1 From Step 3



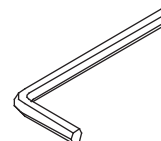
J. Bottom Bar (1pc)



g. M6x55 Allen Head Bolt (4pcs)

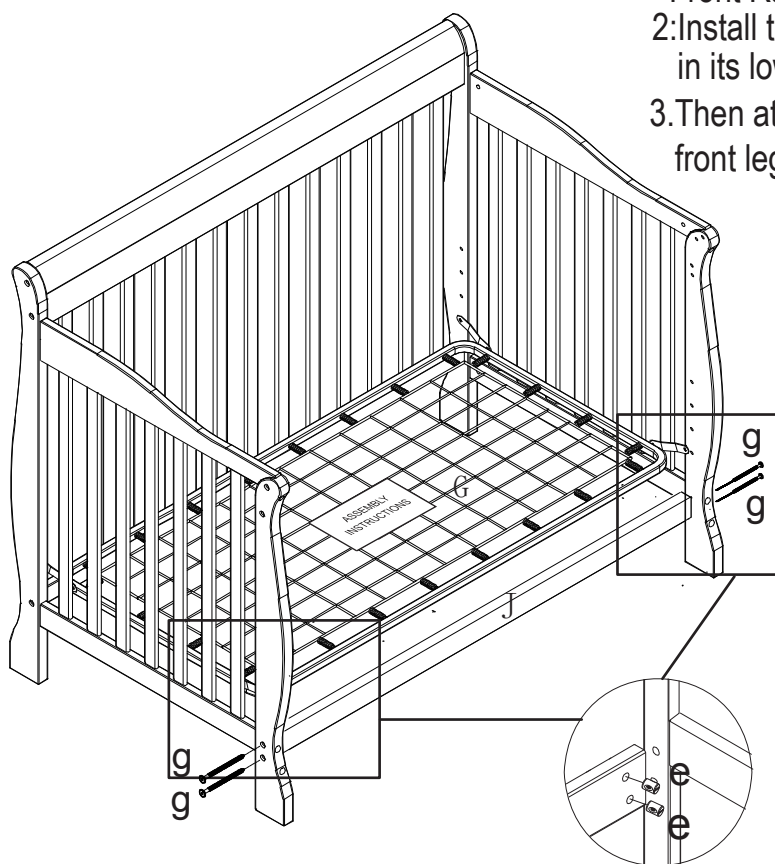


e. Barrel Nuts (4pcs)



c. Allen Wrench

- You have the option to convert crib to a day bed
- 1: Remove The Bottom Rail (J) and The Front Rail Bottom (F) .
 - 2: Install the mattress support (G) in its lowest position.
 - 3: Then attach the bottom bar (J) to the front legs as the image showed.



Model shown is example only.
Styles may vary .

SECTION 2: Toddler Bed Conversion

STEP 3

 **WARNING:**
SEE PAGE 3 FOR
TODDLER BED WARNINGS


The mattress support must be in the lowest positions.

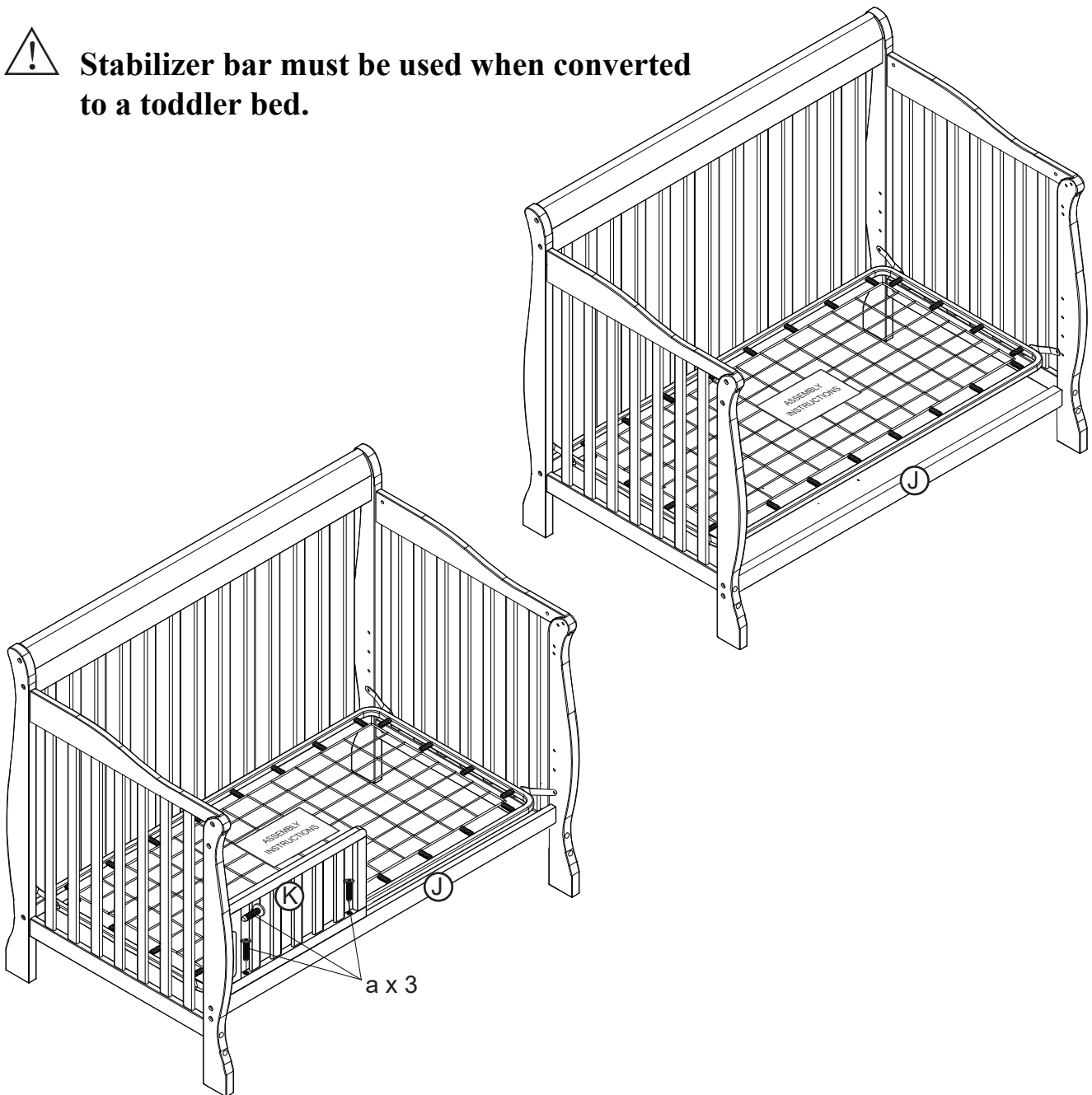
Store all hardware safely.

Read all warnings on page 3.

As shown, use as a day bed or love seat sofa.

Do Not use without stabilizer bar installed.

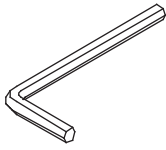
 **Stabilizer bar must be used when converted to a toddler bed.**



SECTION 3: Full Size Bed Conversion I

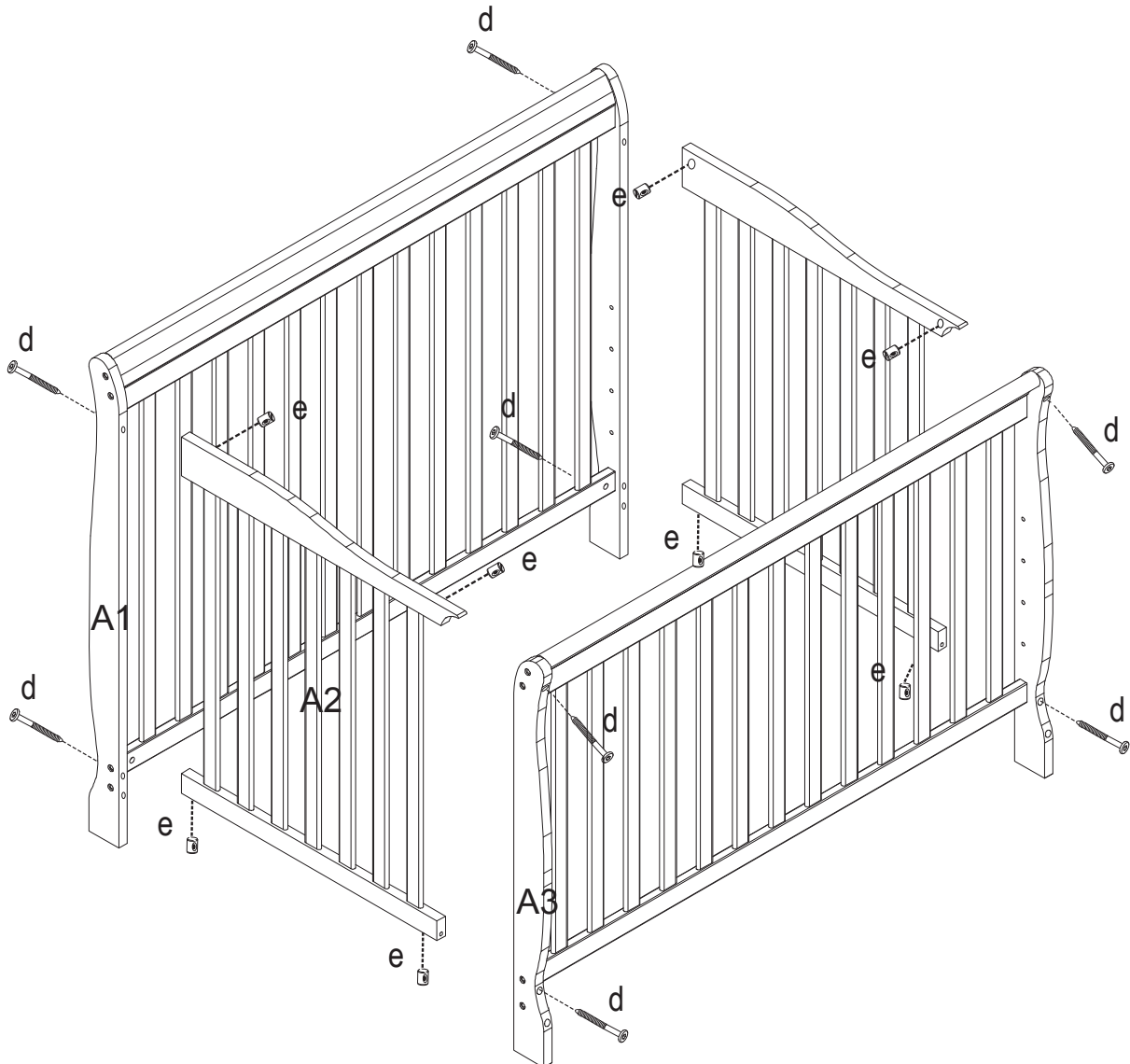
STEP 1

Parts and tools required to complete step.



C. Allen wrench

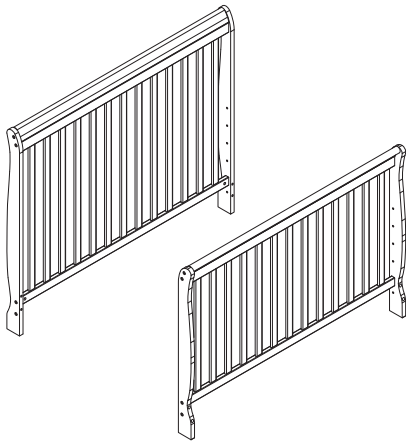
You have the option to convert the crib to a Full Size Bed. Simply follow steps in reverse order to disassemble the crib. Then remove the Rear Legs from the left Crib End and Right Crib End with the M4 Allen Wrench as shown. Store all parts and hardware in a safe place.



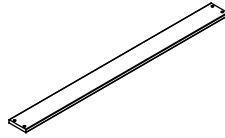
SECTION 3: Full Size Bed Conversion I

STEP 2

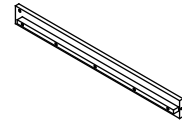
Parts and tools required to complete step.



From Section 3 Step 1



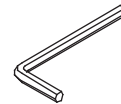
Cross Bar (7PCS)



Side Bar (4PCS)



Split Leg (2PCS)

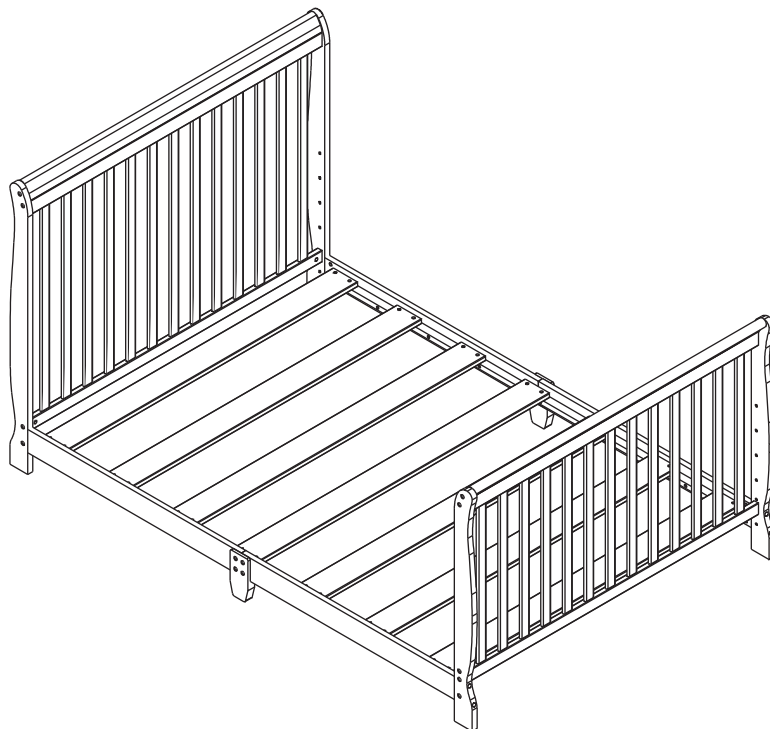


c:Allen Wrench

Converting kit is sold separately

You have the option to convert crib to a full size bed II

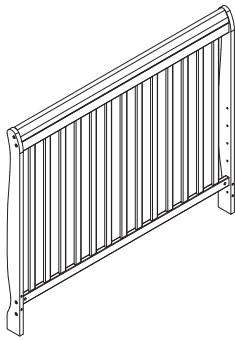
1. Insert the split leg to the left & right side bar .
2. Connect the headboard Leg to the left & right side bar.
3. Connect the footboard Leg to the left & right side bar.
4. Connect the cross bars to the left & right side bar.



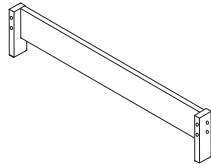
SECTION 3: Full Size Bed Conversion II

STEP 1

Parts and tools required to complete step.



From Section 3 Step 1



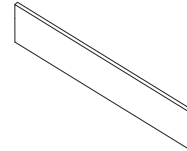
Not Supplied



Right Foot Platform Post(1pc)
Not Supplied



Left Foot Platform Post (1pc)
Not Supplied



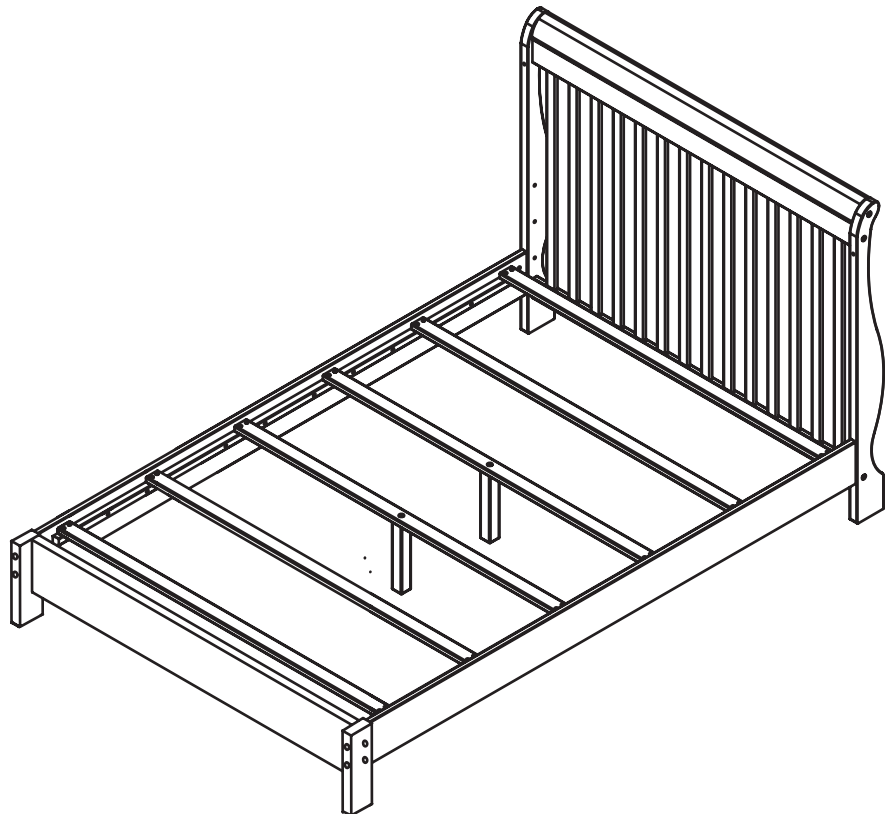
Rail Post(6pcs)
Not Supplied

Converting kit is sold separately

You have the option to convert crib to a full size bed II

1: Use the back rail as the headboard of full size bed.

2: Connect the left foot platform and the right foot platform to the back rail which are not included and sold separately.



Model shown is example only.
Styles may vary .