

Model #DV-1K026

Overall Dimension: 30 1/8" L x 17 15/16" W x 10" D

Features:

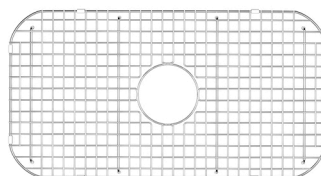
- Deep single bowl sink inhibits splashing, fits your tallest pots and piles of dishes, and holds your largest cookware.
- DeerValley farmhouse kitchen sinks are crafted from premium ceramic to achieve excellent performance in durability.
- The surface of DeerValley Kitchen sink is coated with a thick glaze material, making it smooth and easy to clean. It is also quieter than a stainless steel sink.
- Extreme resistance to chip, discoloration, scratching and cracking.
- Sink can accommodate a 3.5" garbage disposal.
- The water absorption rate of Ceramic sinks is 20%, which meets the qualified standard.



Package Included:



● Farmhouse Kitchen Sink(DV-1K026)



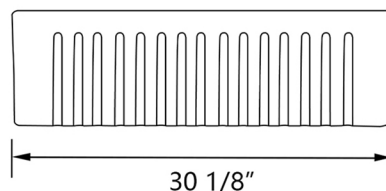
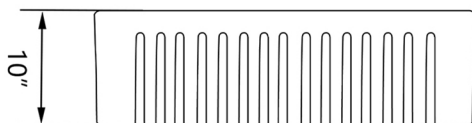
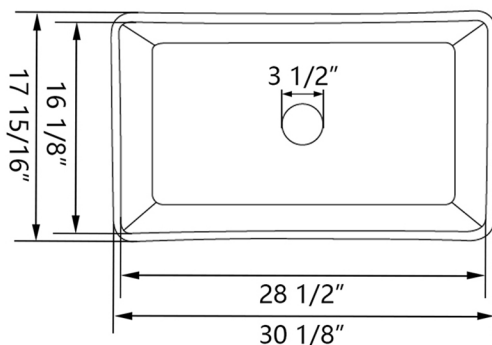
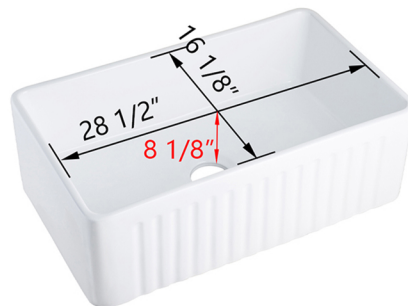
● Sink Grid(DV-K026G03)



● Basket Strainer(DV-1D901)

Technical Specifications:

- + Outer: 30 1/8" L x 17 15/16" W x 10" D
- + Inner: 28 1/2" L x 16 1/8" W x 8 1/8" D
- + Weight: 75.62 lbs
- + Drain: 3 1/2" diameter
- + Cabinet Size: 31 1/8" minimum



#DV-1K026

Sinks are individually handcrafted, so sizes may vary slightly.

1 Year Warranty

All DeerValley kitchen sinks come with our Warranty within one year.



TEL: 312-626-9466 | support@deervalleybath.com