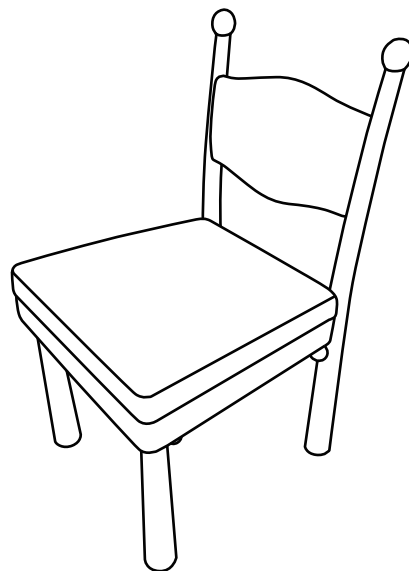


DINING CHAIR



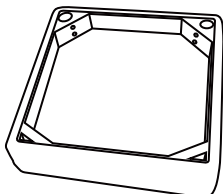
. Please keep instructions for future reference.

. Check the quantity and irregularity of parts and hardware before you start.



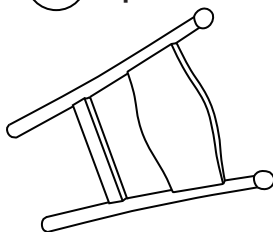
PARTS

#1 1pc



Seat

#2 1pc



Backrest w/leg

#3 2pcs



Front leg

HARDWARE

#A 4pcs



M8*50mm

#B 4pcs



M8*80mm

#C 1pc



M8*40mm

#D 9pcs



φ14mm

#E 9pcs



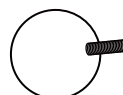
φ13mm

#F 1pc



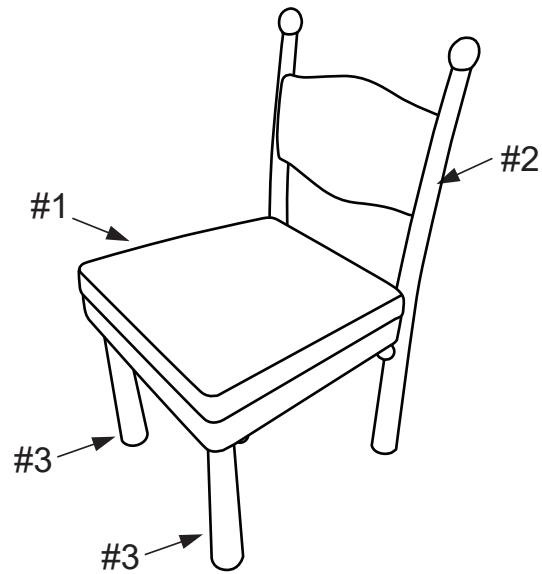
M8

#G 6pcs



ASSEMBLY INSTRUCTIONS

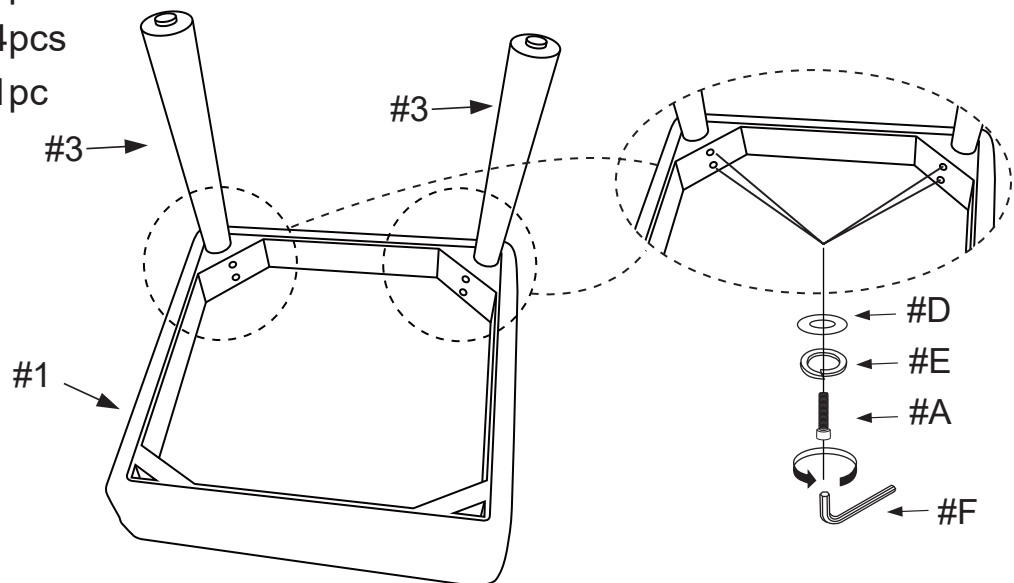
1



2

- Part #1 x1pc
- Part #3 x2pcs
- Hardware #A x4pcs
- Hardware #D x4pcs
- Hardware #E x4pcs
- Hardware #F x1pc

Align seat (#1) to the front leg (#3), then secure by using bolts (#A) with washers (#D,E).



ASSEMBLY INSTRUCTIONS

3

Part #3 x2pcs

Hardware #B x4pcs

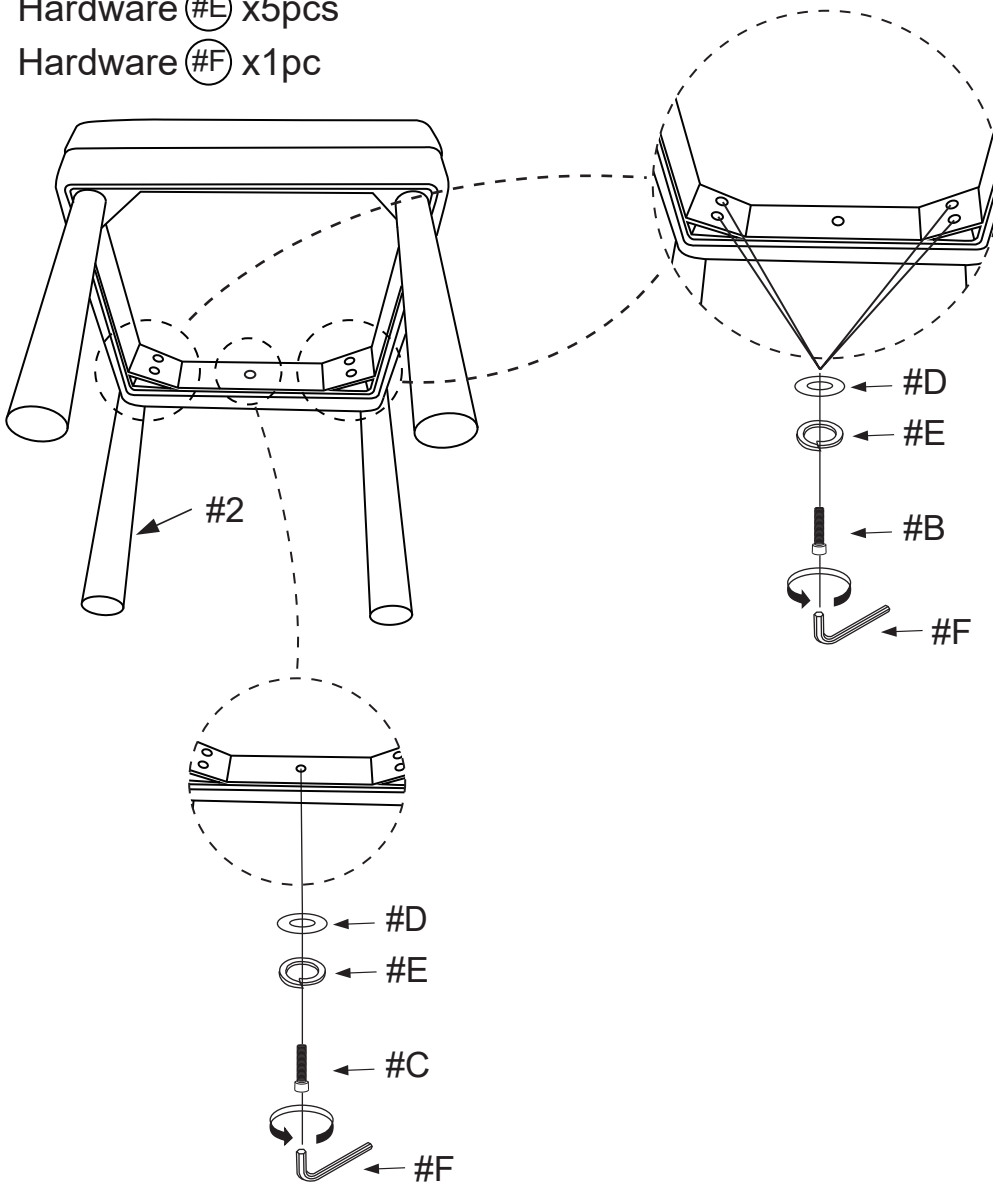
Hardware #C x1pc

Hardware #D x5pcs

Hardware #E x5pcs

Hardware #F x1pc

Secure the seat (#1) to the chair back (#2) by using bolts (#B) with washers (#D,E).

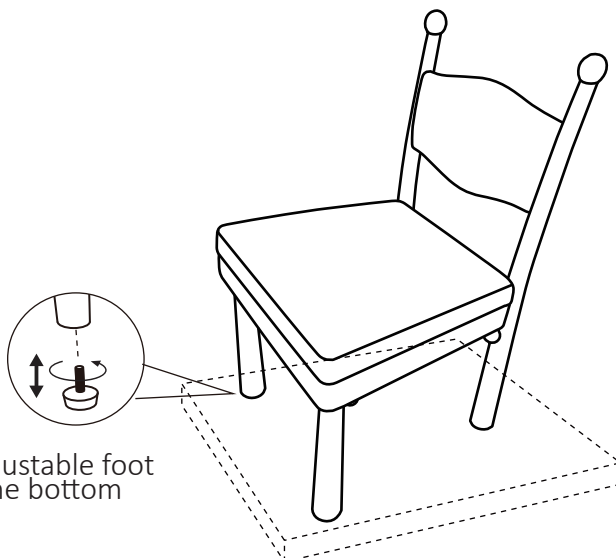
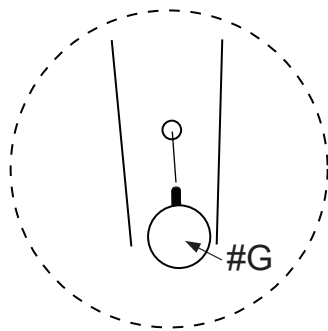
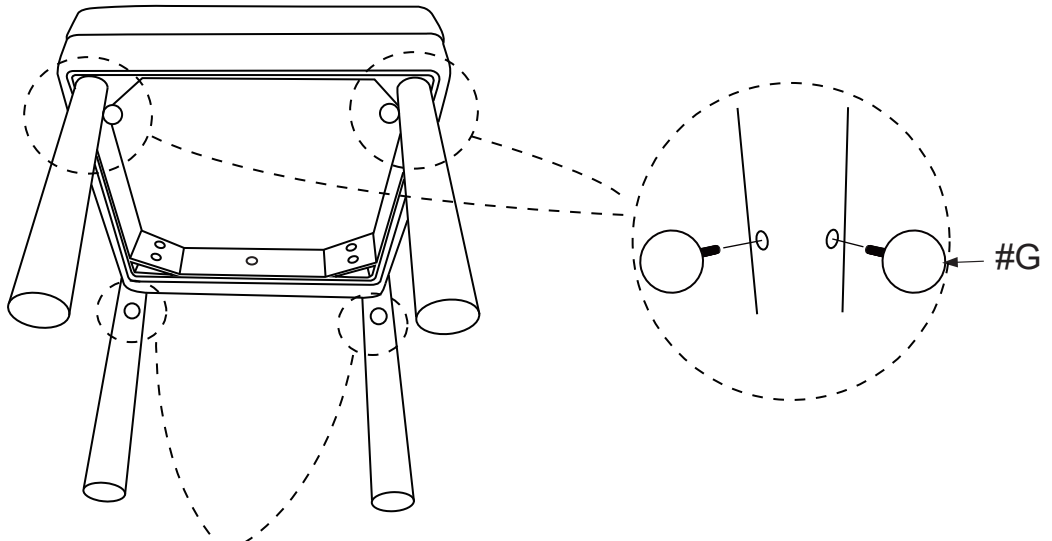


ASSEMBLY INSTRUCTIONS

4

Hardware  x6pcs

Finally, tighten the six bolts onto the legs.



Install adjustable foot nails at the bottom

ASSEMBLY COMPLETED



Please ensure the furniture rests on an even and flat surface. If the product wobbles or feels loose, double-check all bolts and/or screws are properly tightened and secured.



Keep this handy!

Please retain this instruction manual and any order-related information for future reference.



Lift, don't drag!

To avoid damage to product please always LIFT the product when transporting or adjusting the placement.