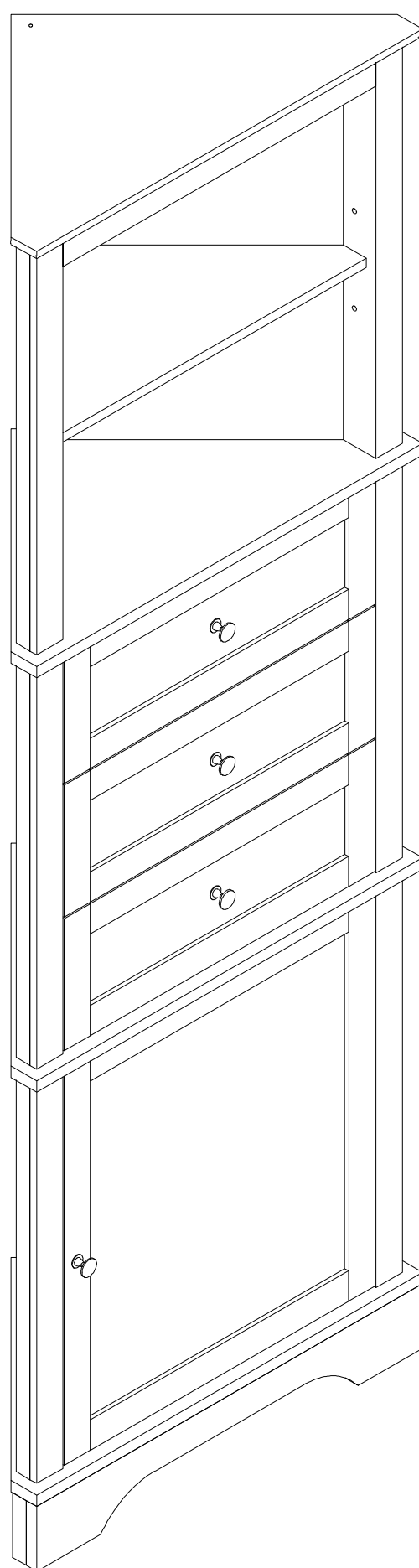
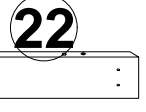
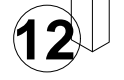
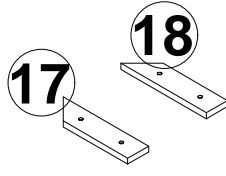
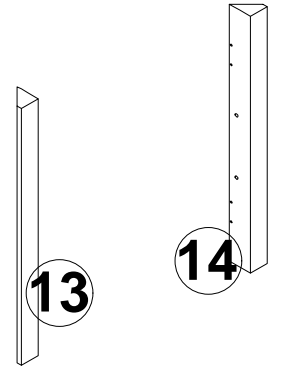
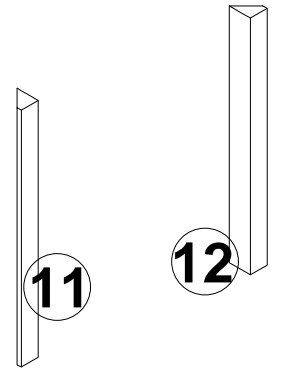
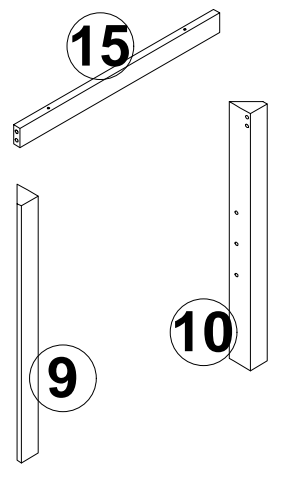
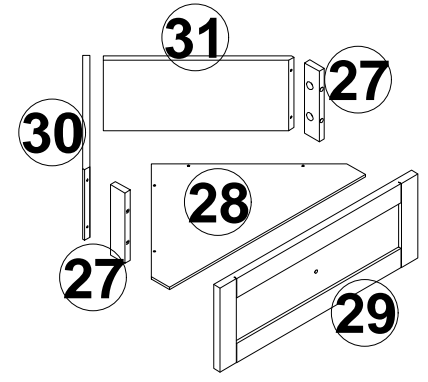
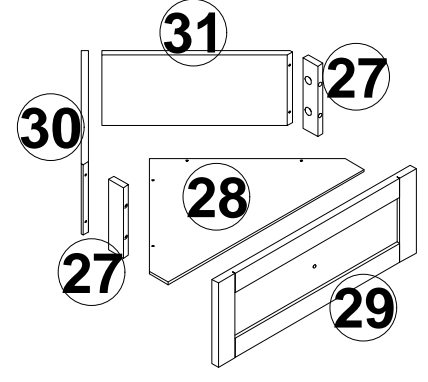
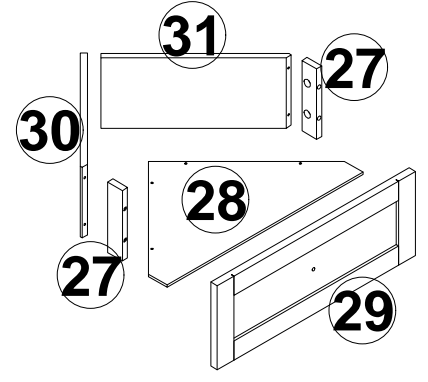
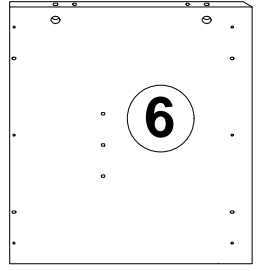
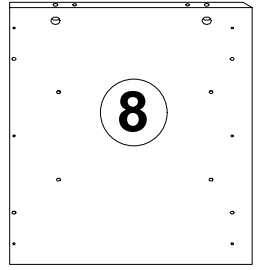
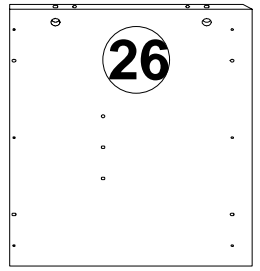
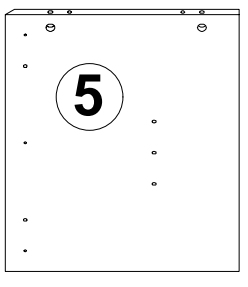
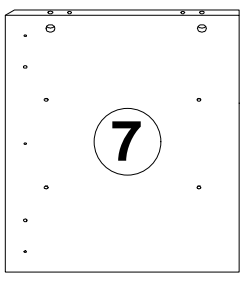
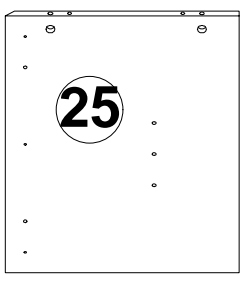
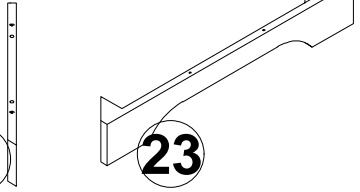
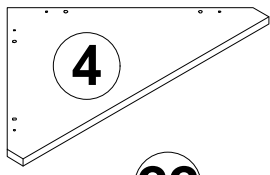
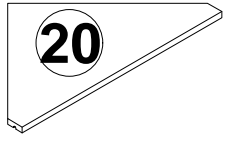
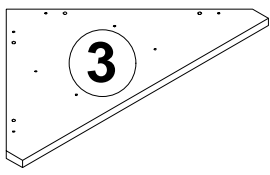
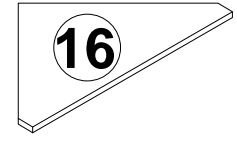
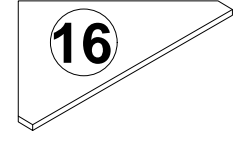
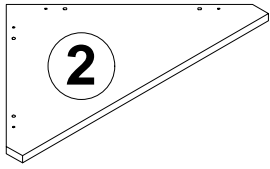
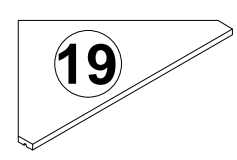
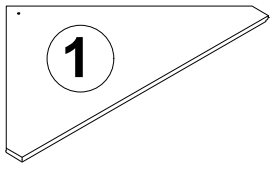
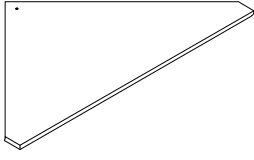
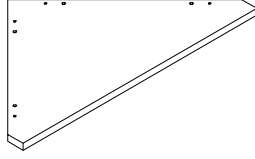
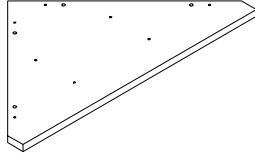
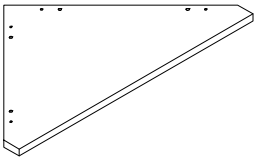
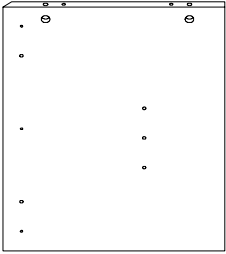
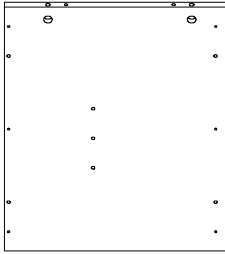
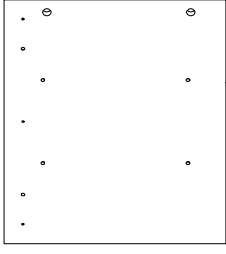
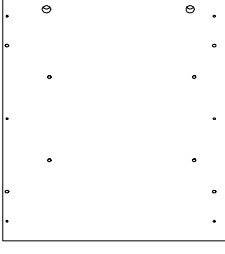






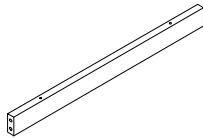
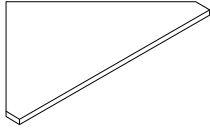
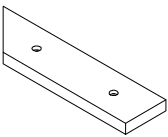
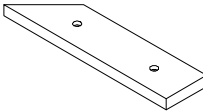
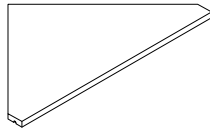
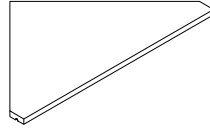

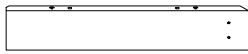
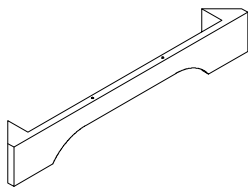
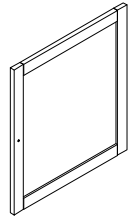
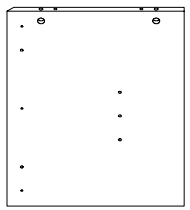
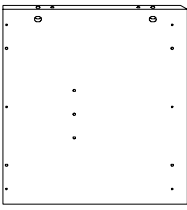

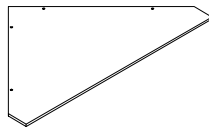
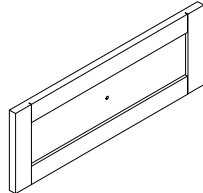

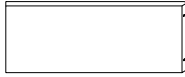
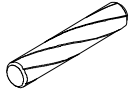
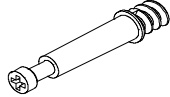

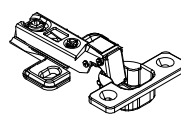
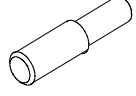
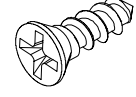

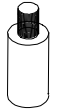
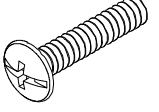

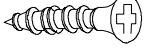
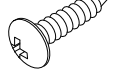
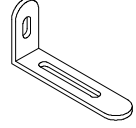
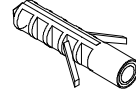
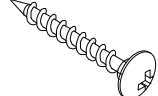
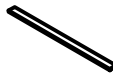


ASSEMBLY INSRTRUCTION

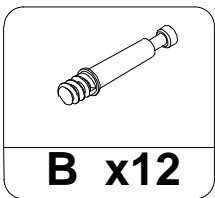
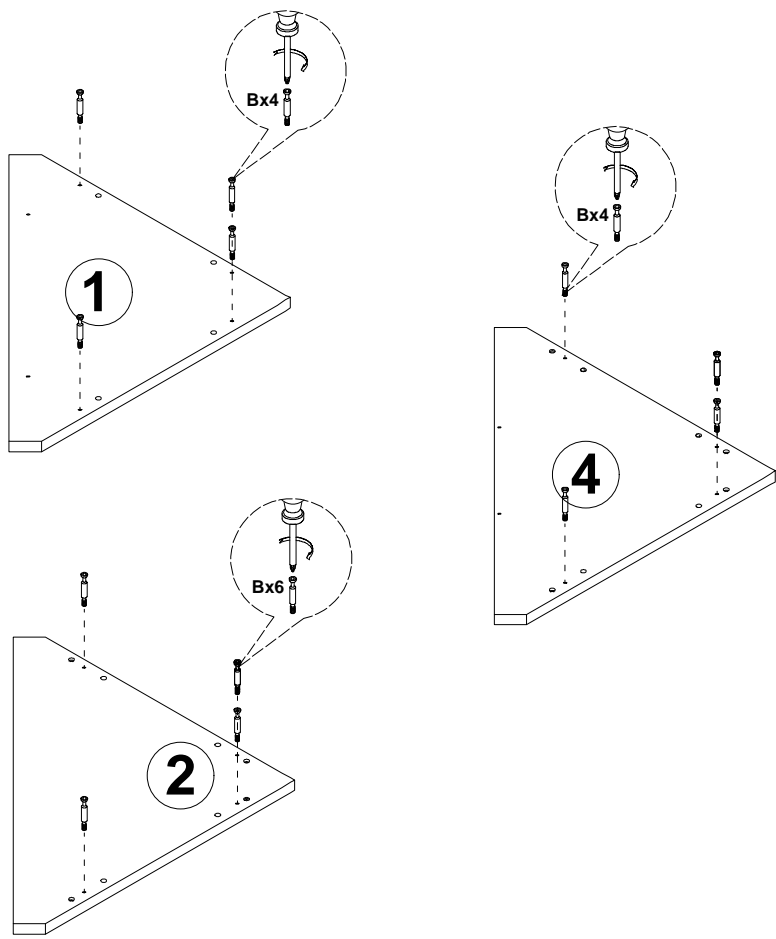




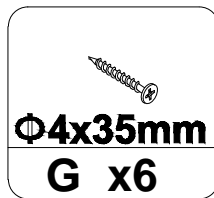
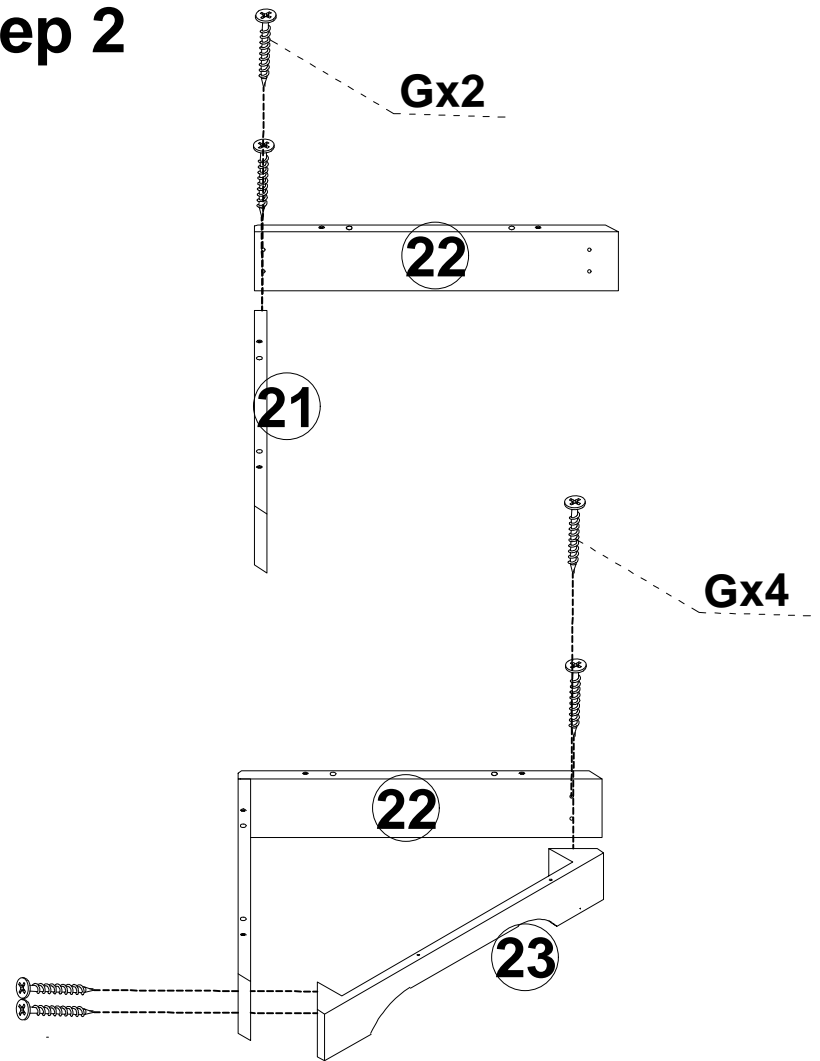
			
① x 1	② x 1	③ x 1	④ x 1
			
⑤ x 1	⑥ x 1	⑦ x 1	⑧ x 1
			
⑨ x 1	⑩ x 1	⑪ x 1	⑫ x 1
			
⑬ x 1	⑭ x 1	⑮ x 1	⑯ x 2
			
⑰ x 1	⑱ x 1	⑲ x 1	⑳ x 1
			
㉑ x 1	㉒ x 1	㉓ x 1	㉔ x 1
			
㉕ x 1	㉖ x 1	㉗ x 6	㉘ x 3
			
㉙ x 3	㉚ x 3	㉛ x 3	

					
Φ6x30mm A x 60+3	B x 28+2	C x 28+2	D x 2	E x 8+1	Φ4x15mm F x 8+1
					
Φ4x35mm G x 64+3	Hx3	Φ4x16mm I x 4	J x 4	Φ4x25mm K x 16+1	Φ4x12mm L x 1
					
M x 1	N x 1	Φ4x45mm O x 4	P x 6		

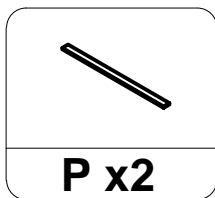
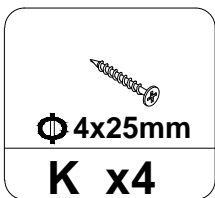
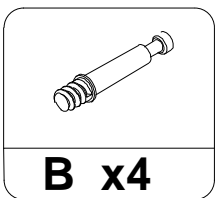
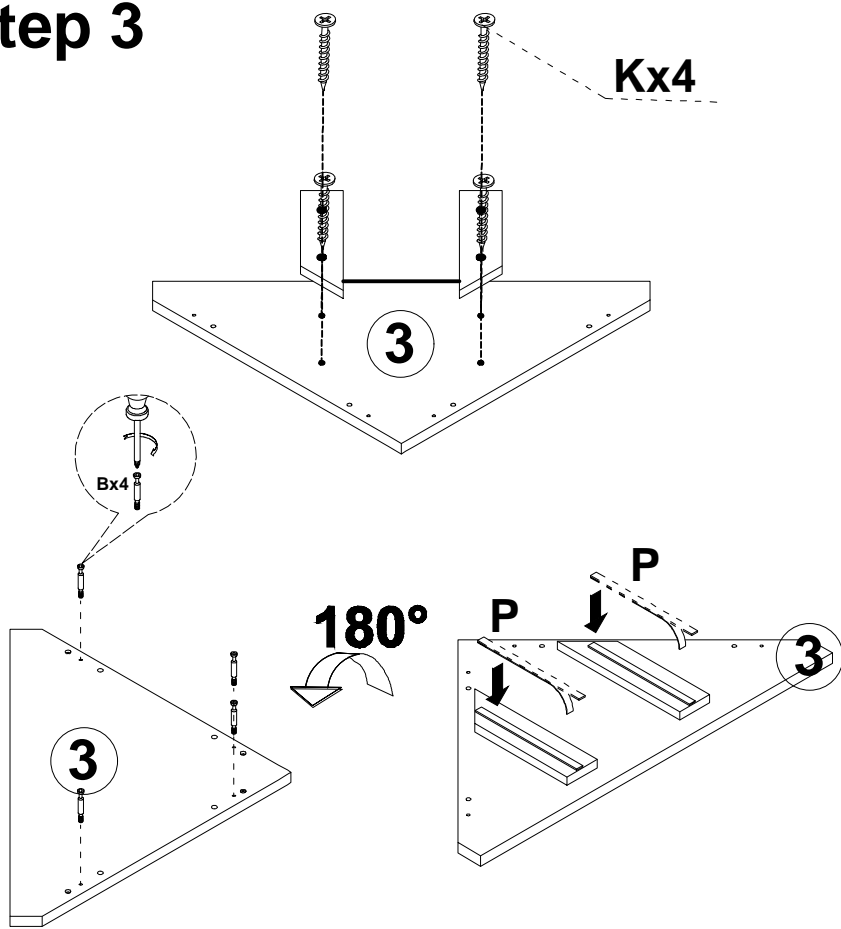
step 1



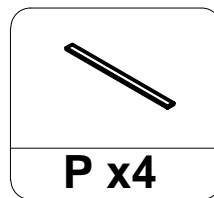
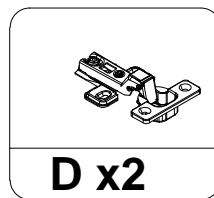
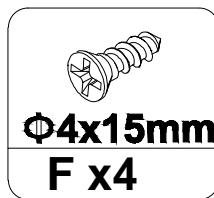
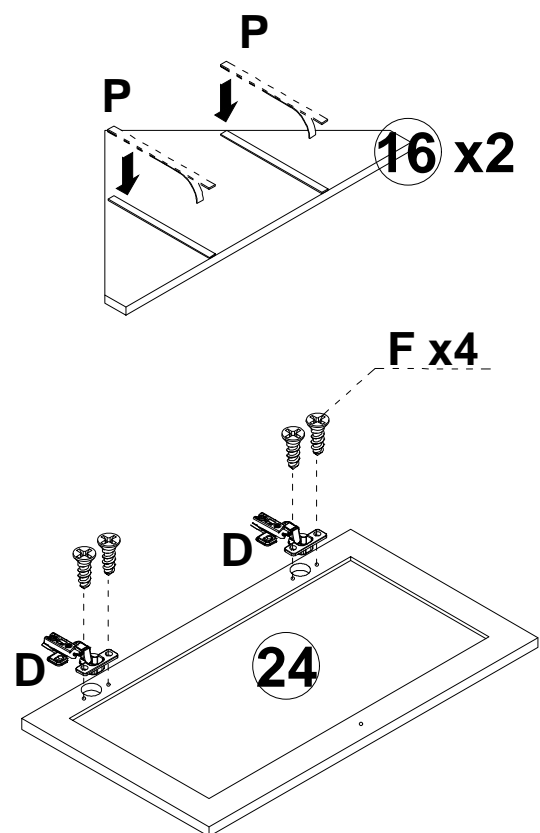
step 2



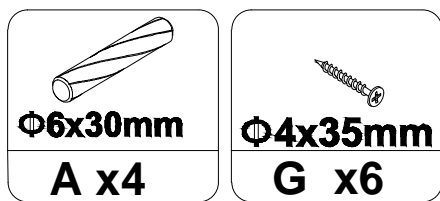
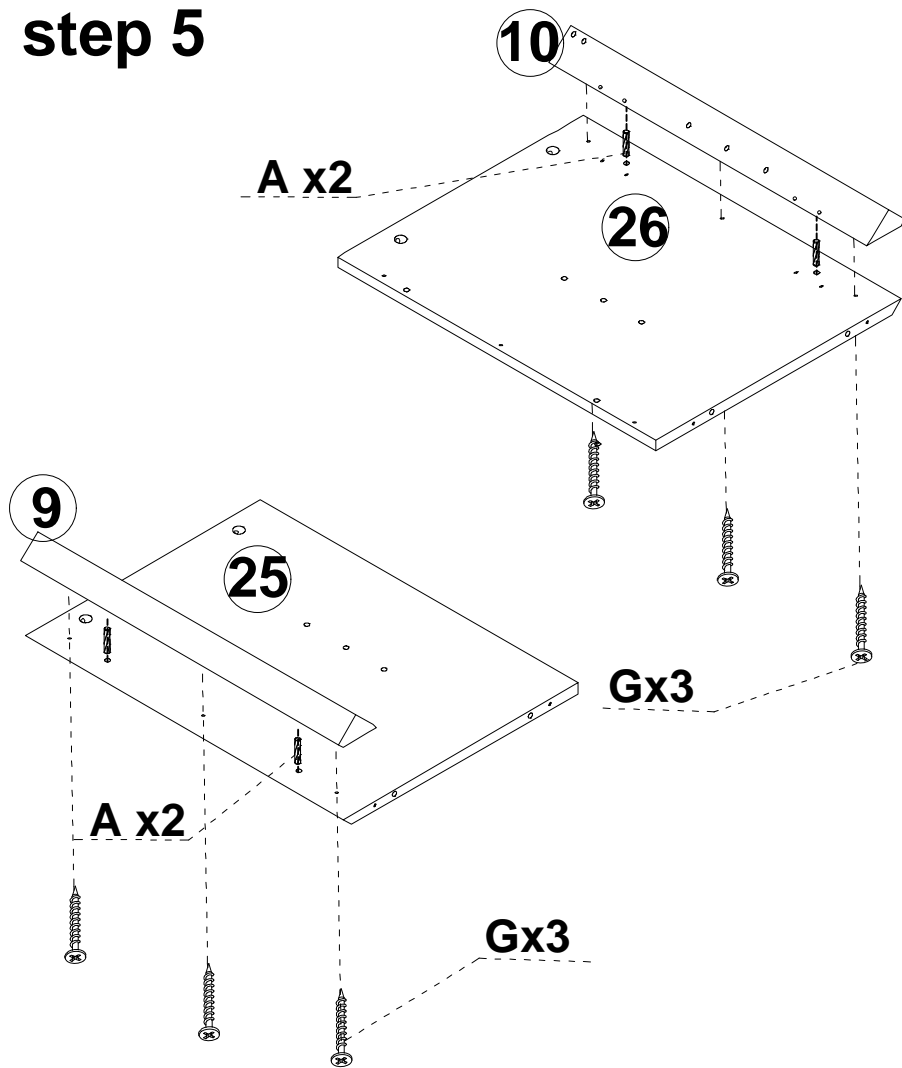
step 3



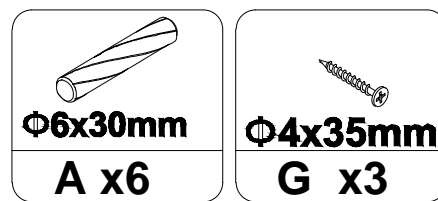
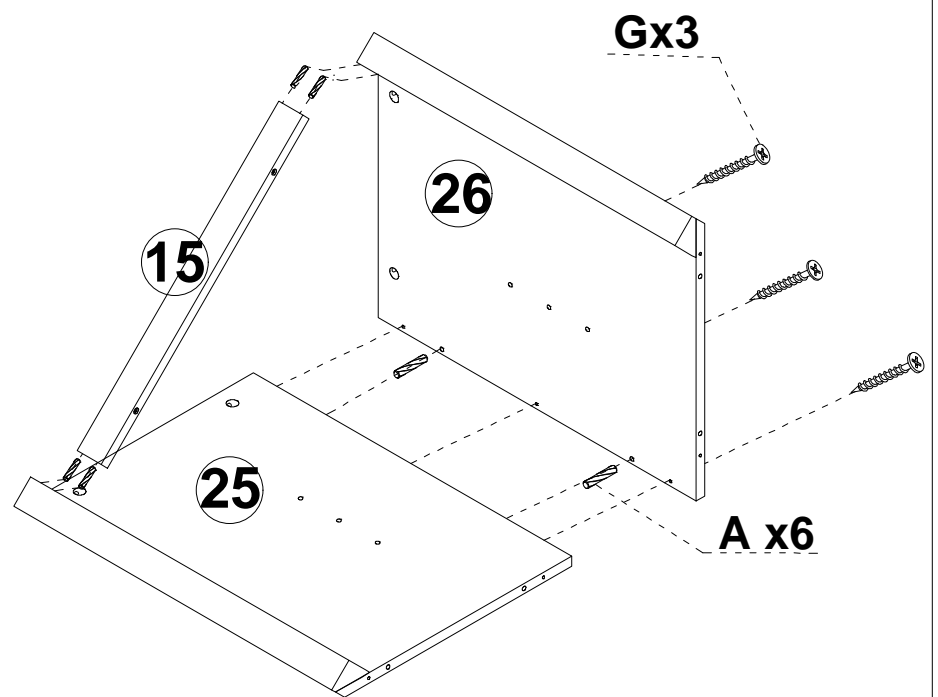
step 4



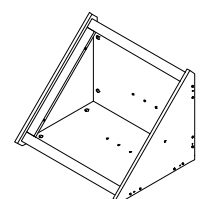
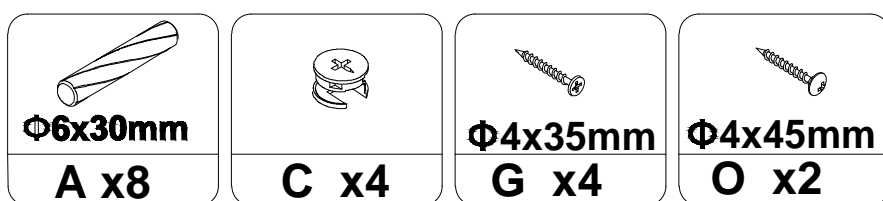
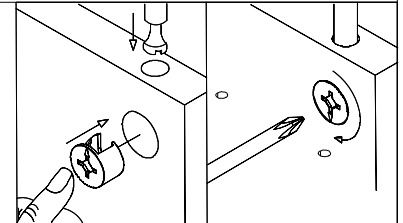
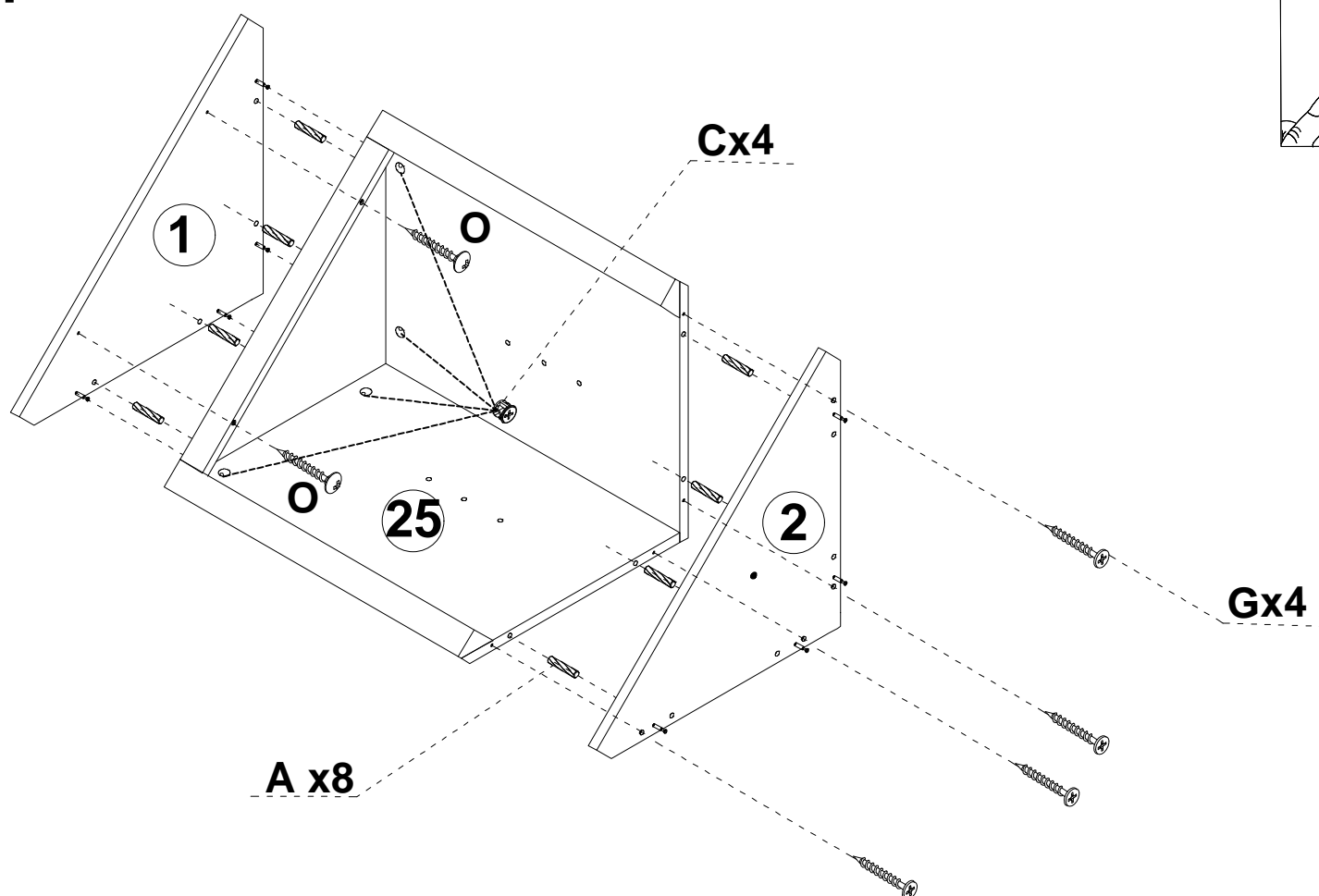
step 5



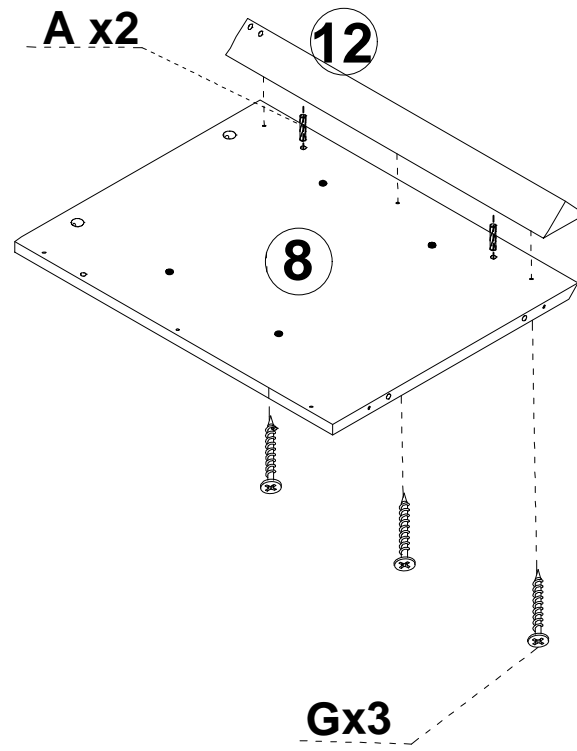
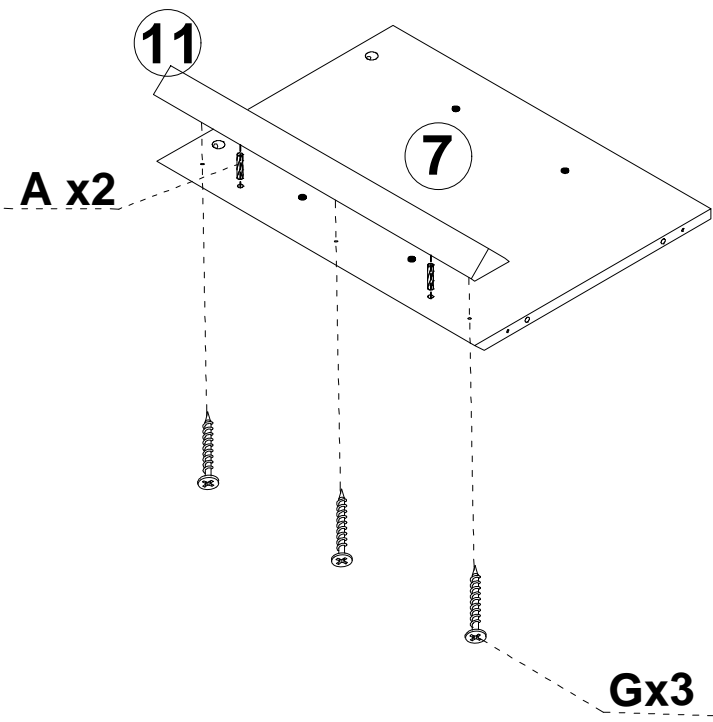
step 6



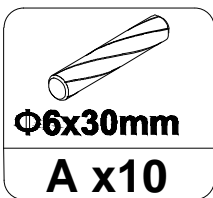
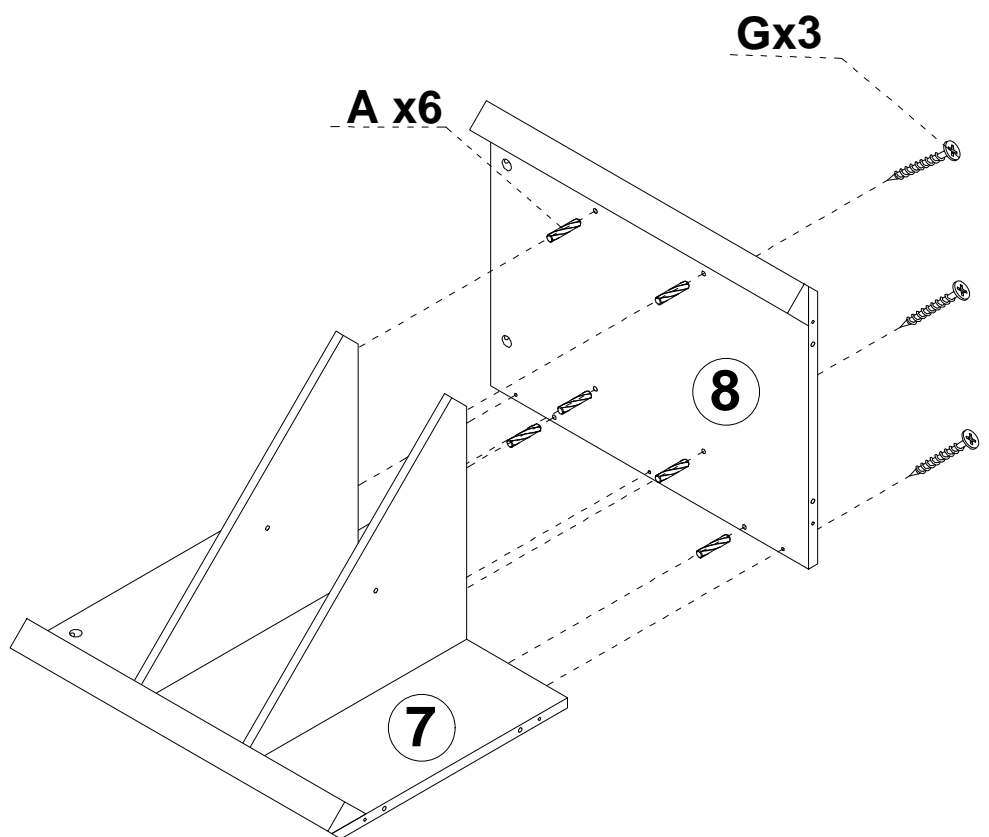
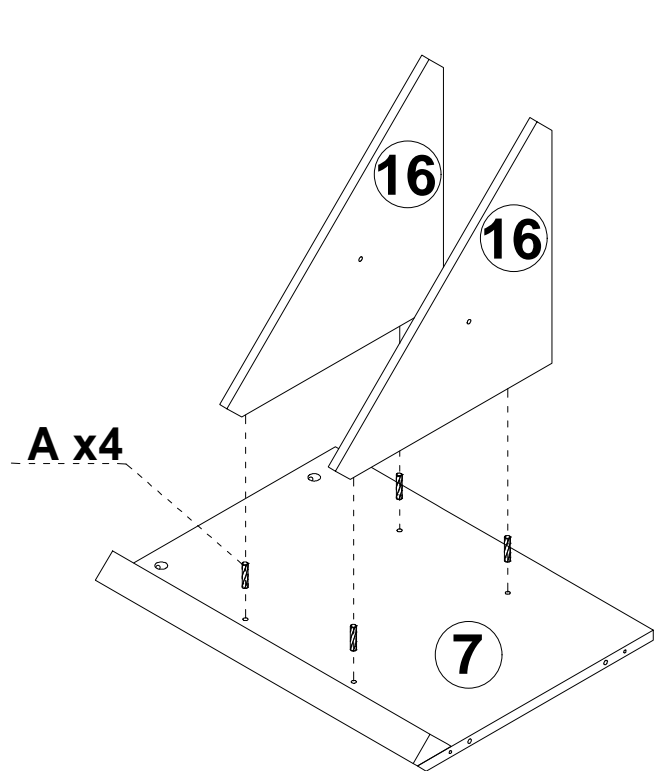
step 7



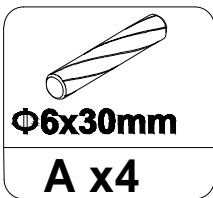
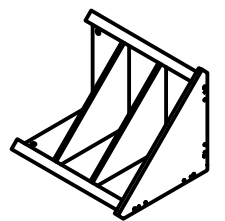
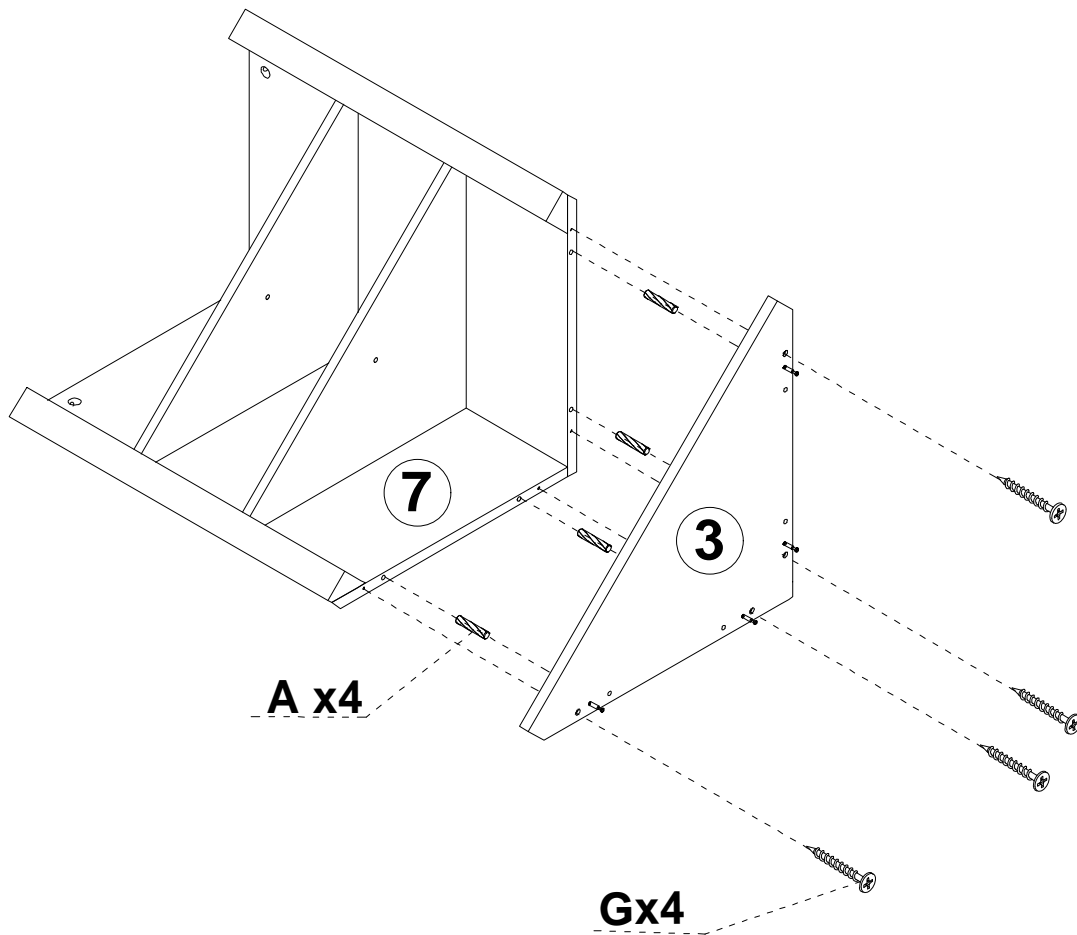
step 8



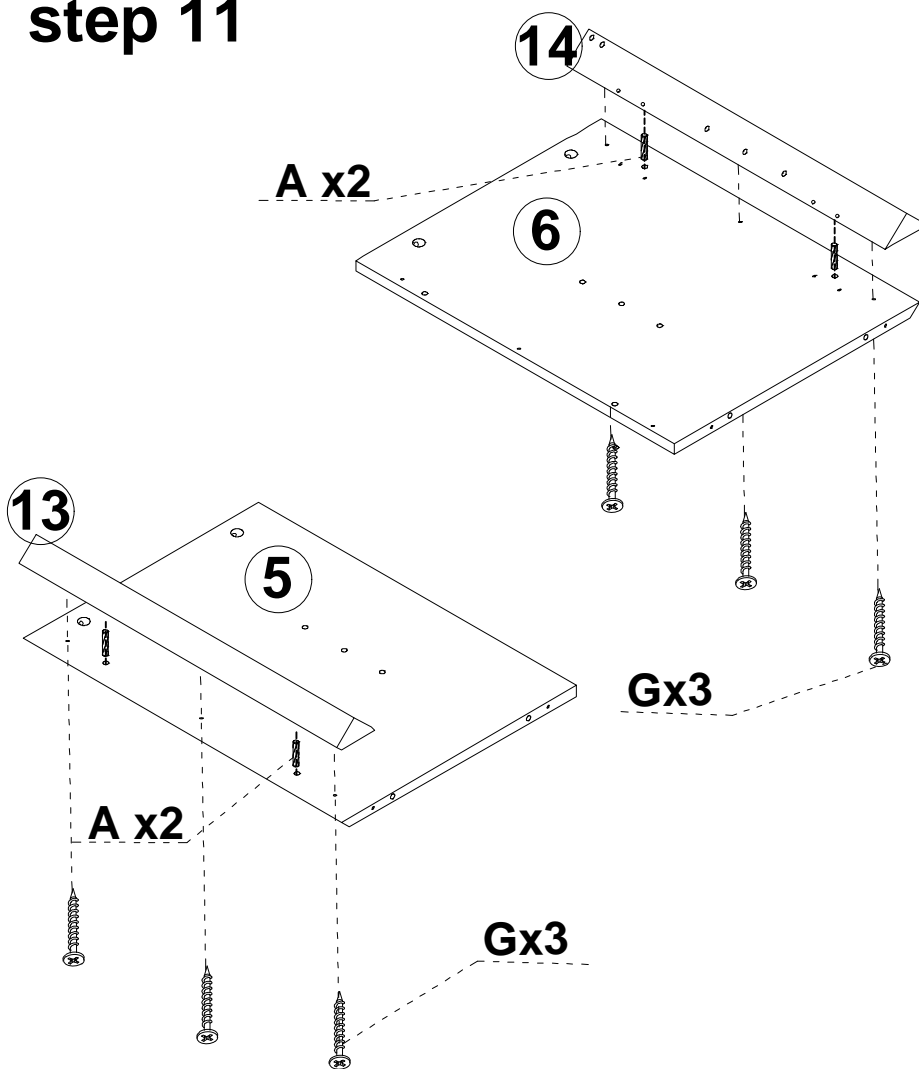
step 9



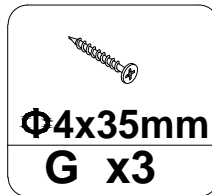
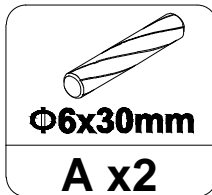
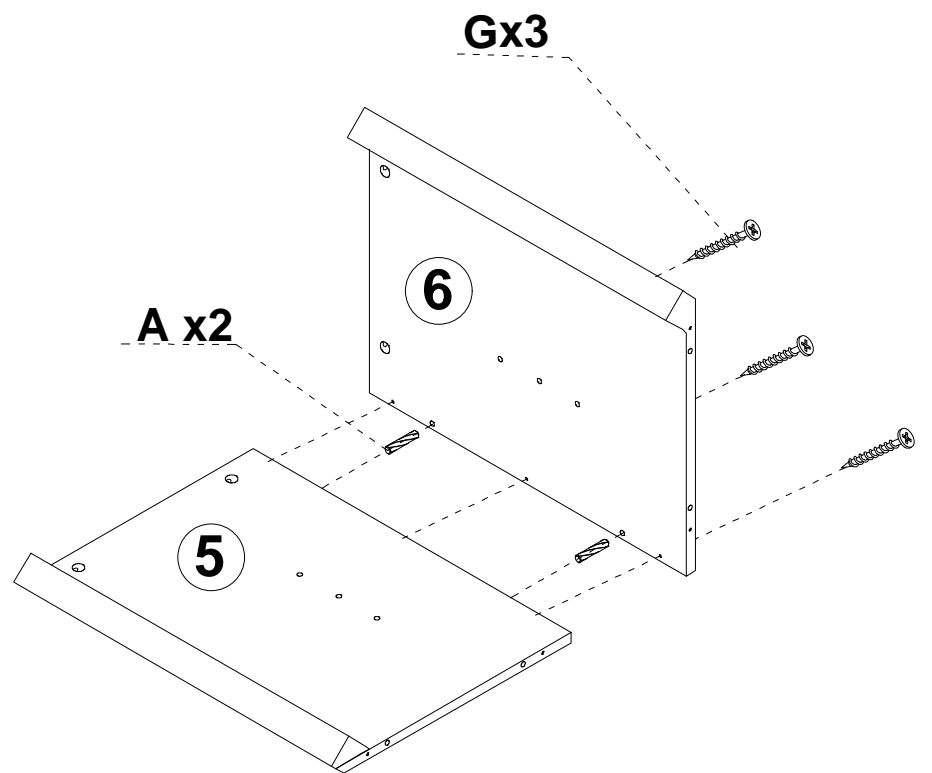
step 10



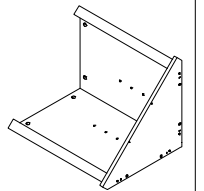
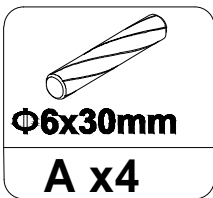
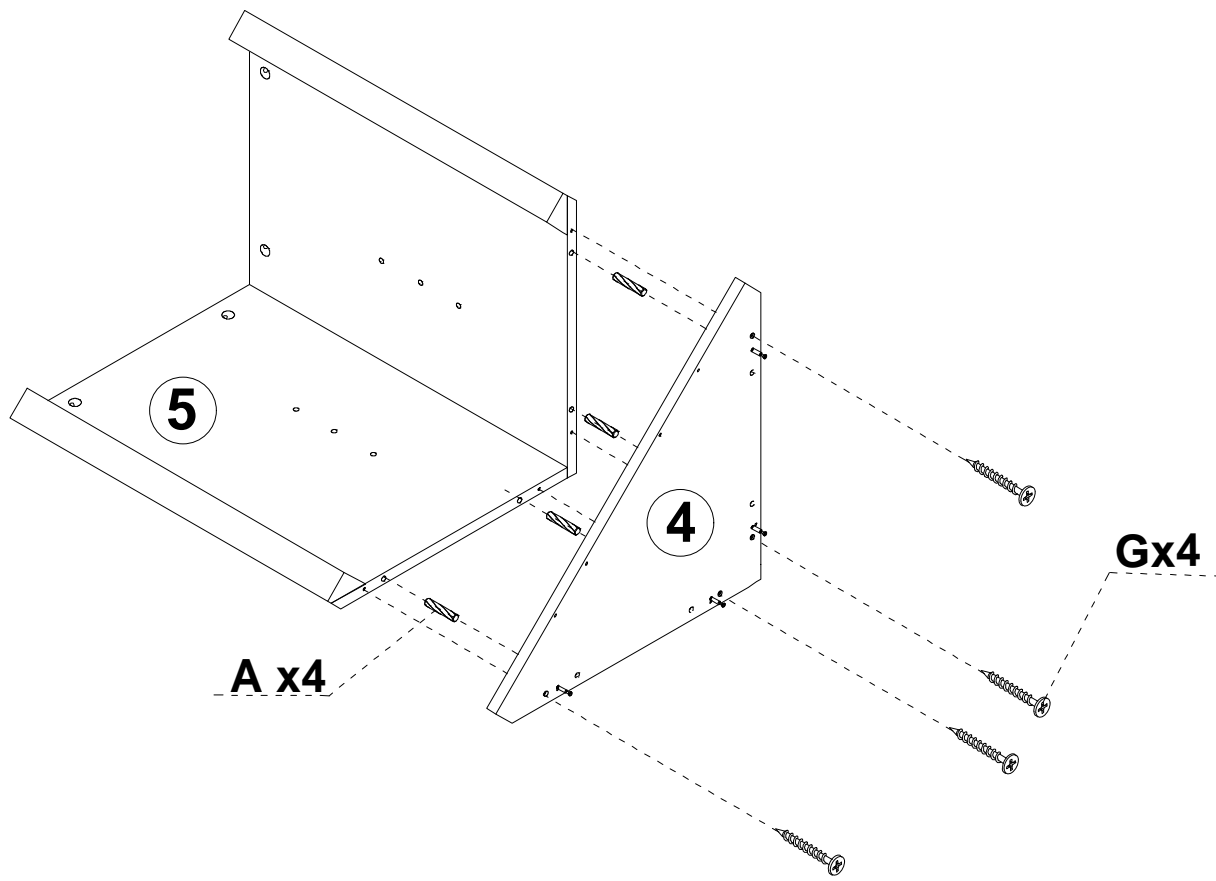
step 11



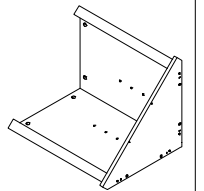
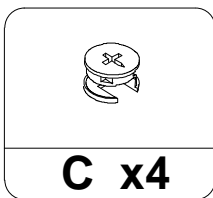
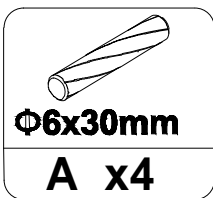
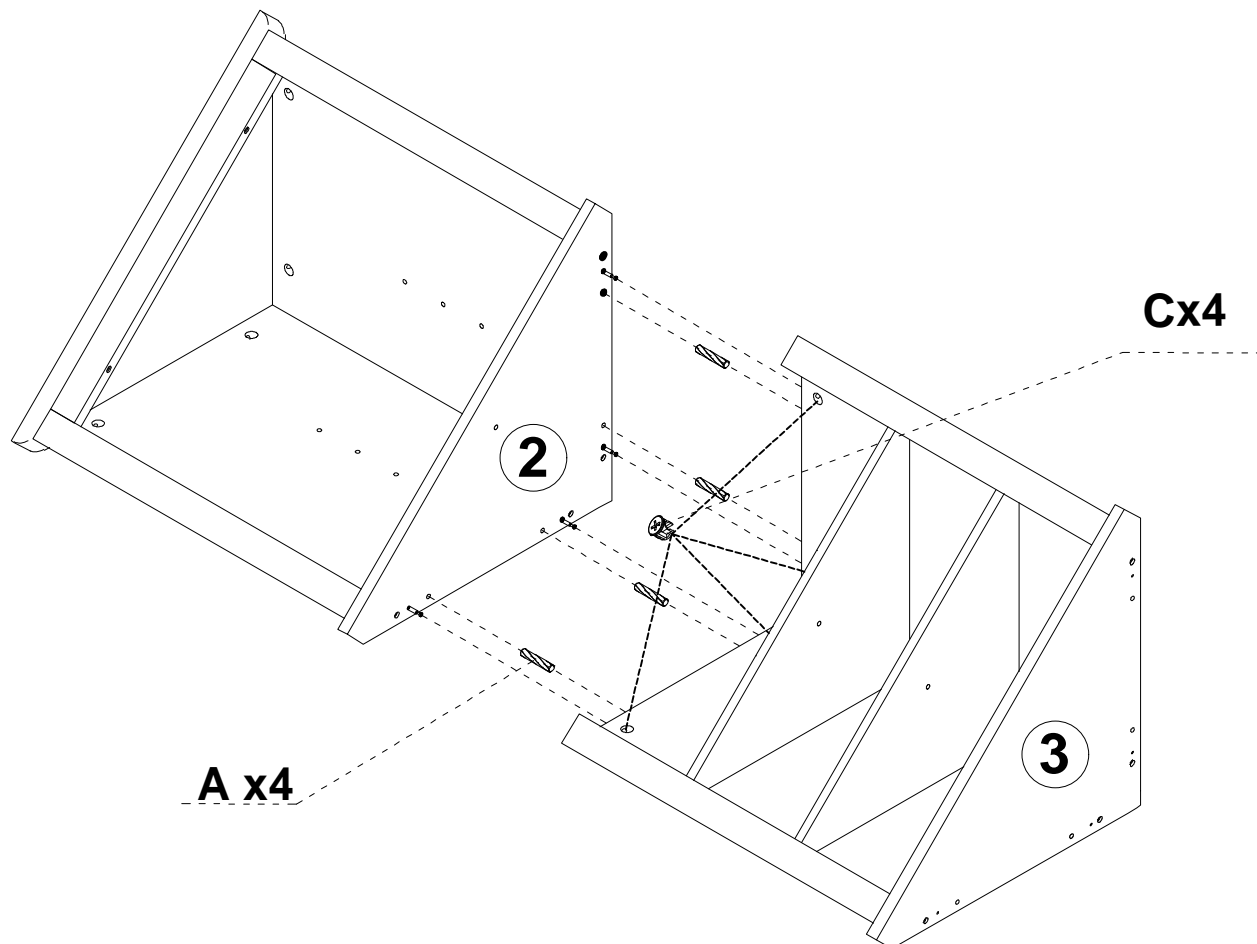
step 12



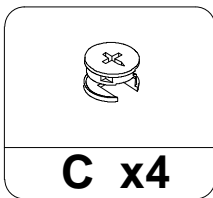
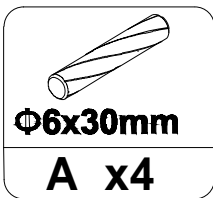
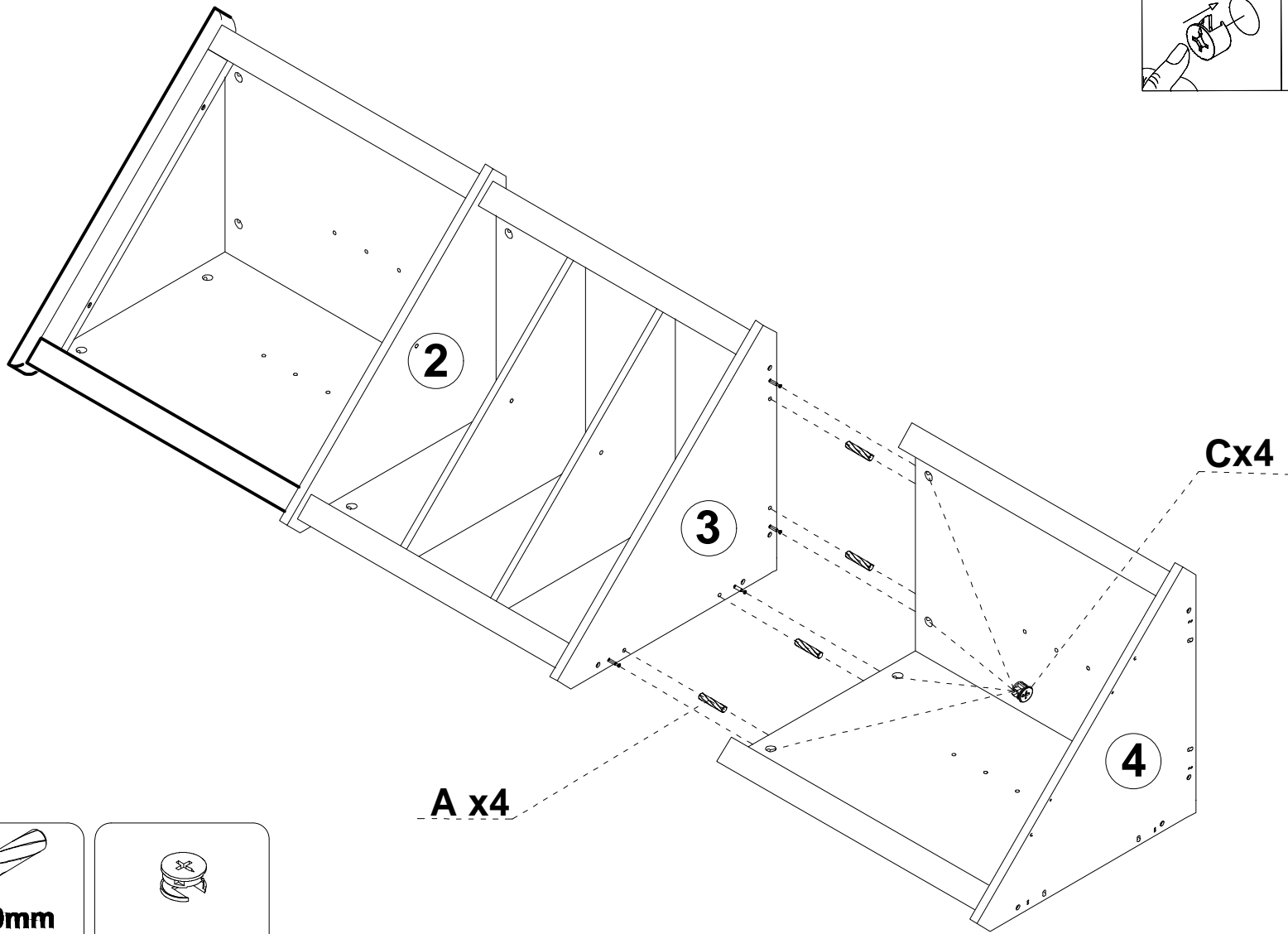
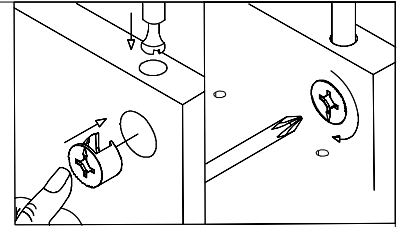
step 13



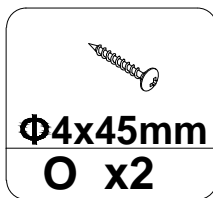
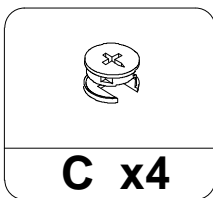
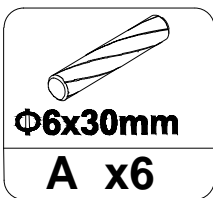
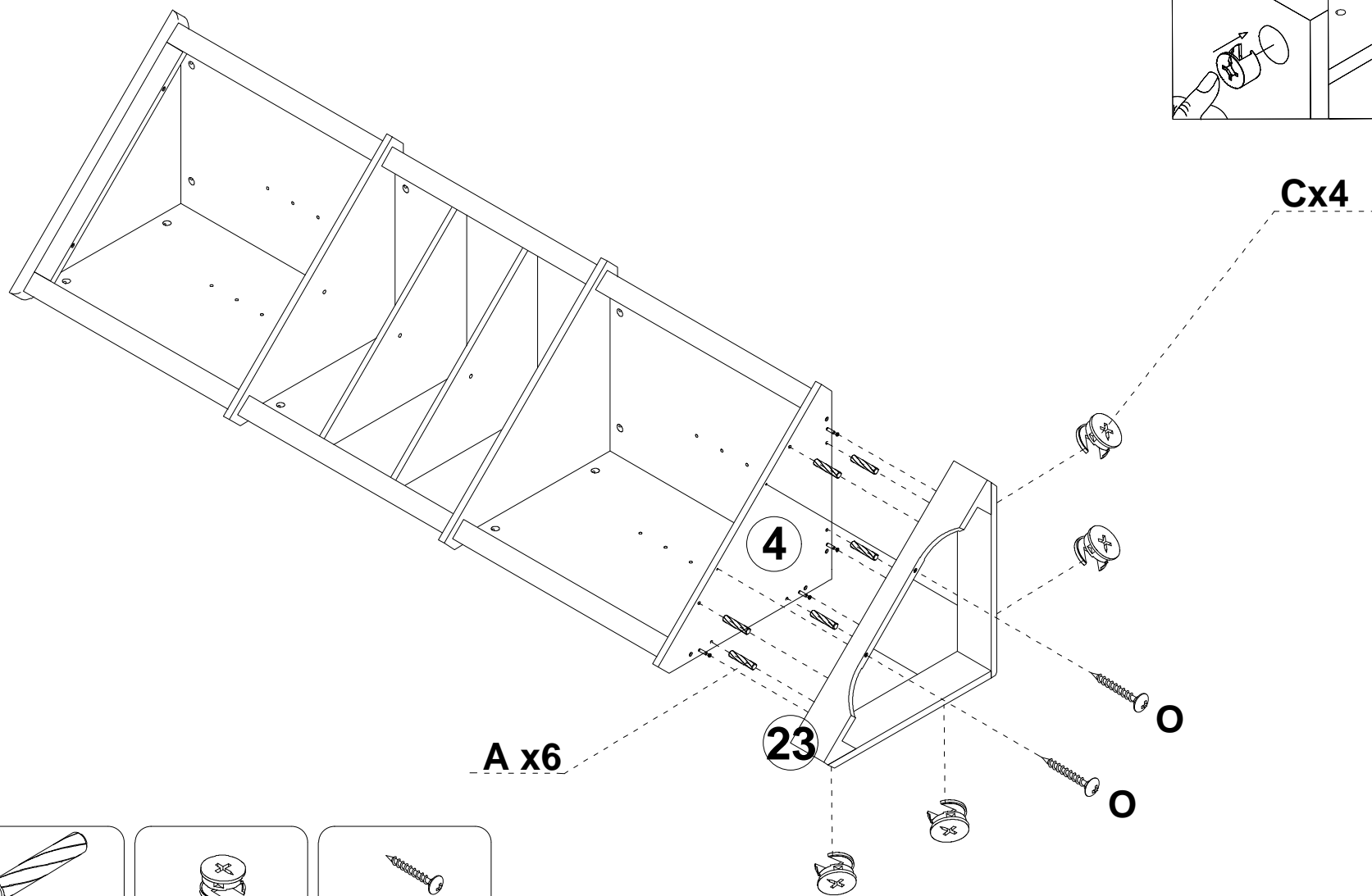
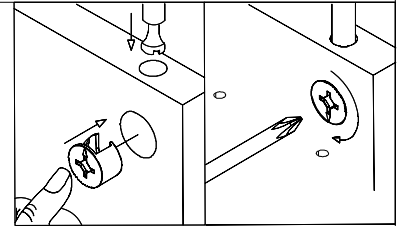
step 14



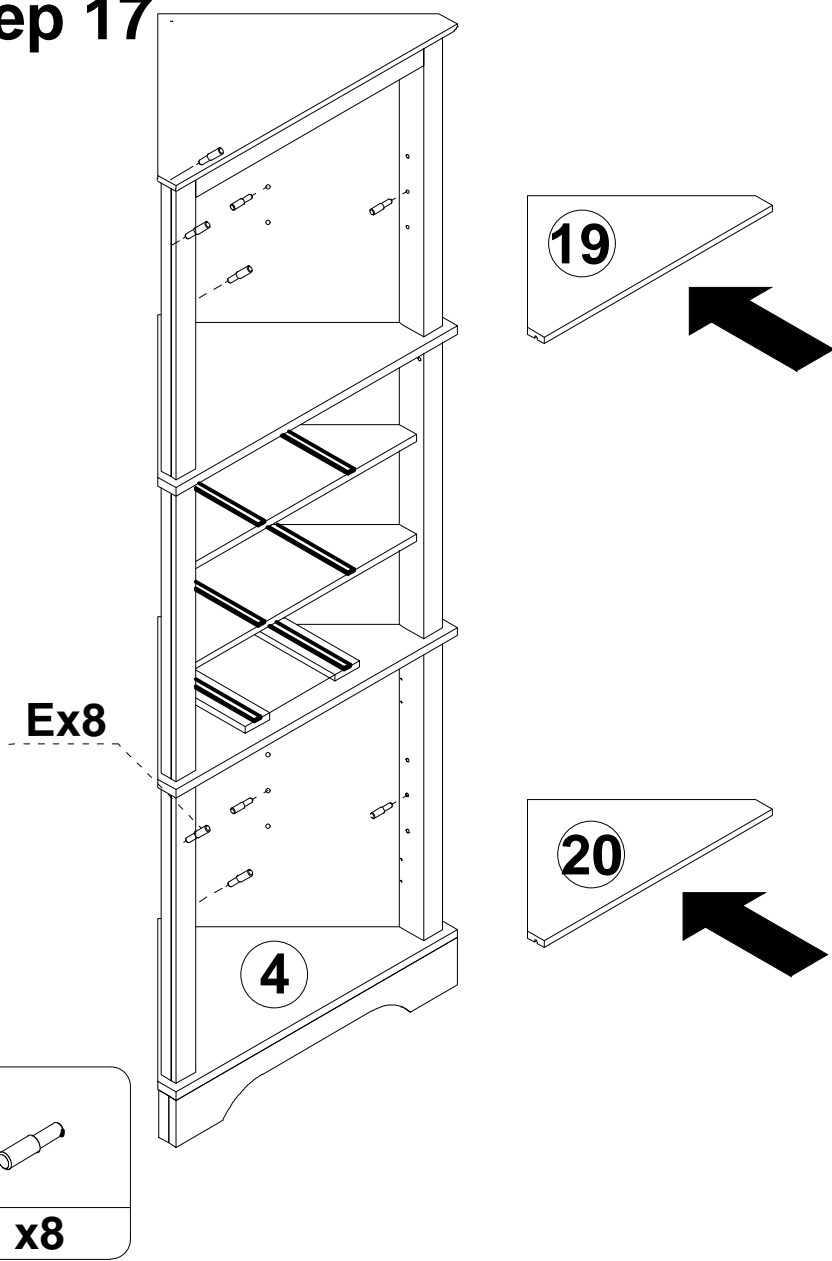
step 15



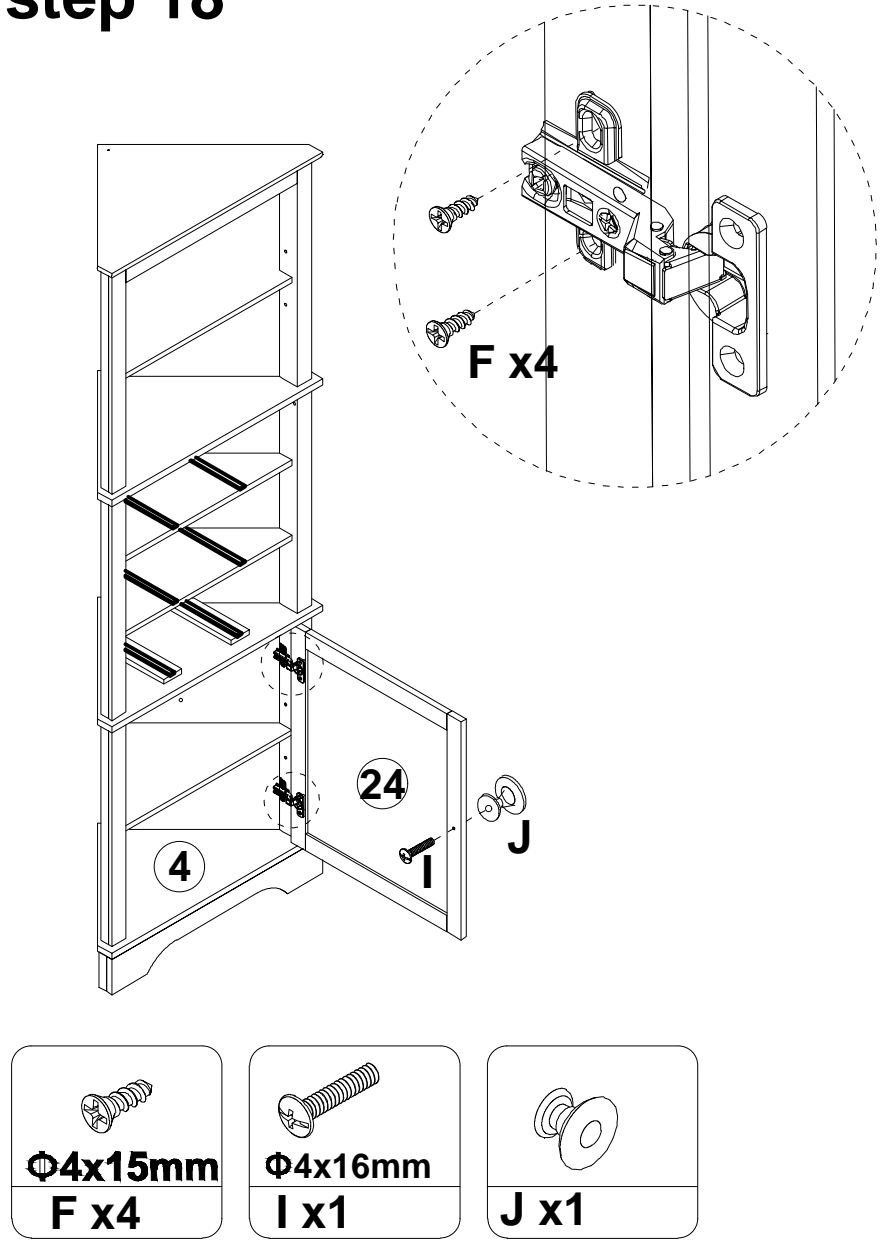
step 16



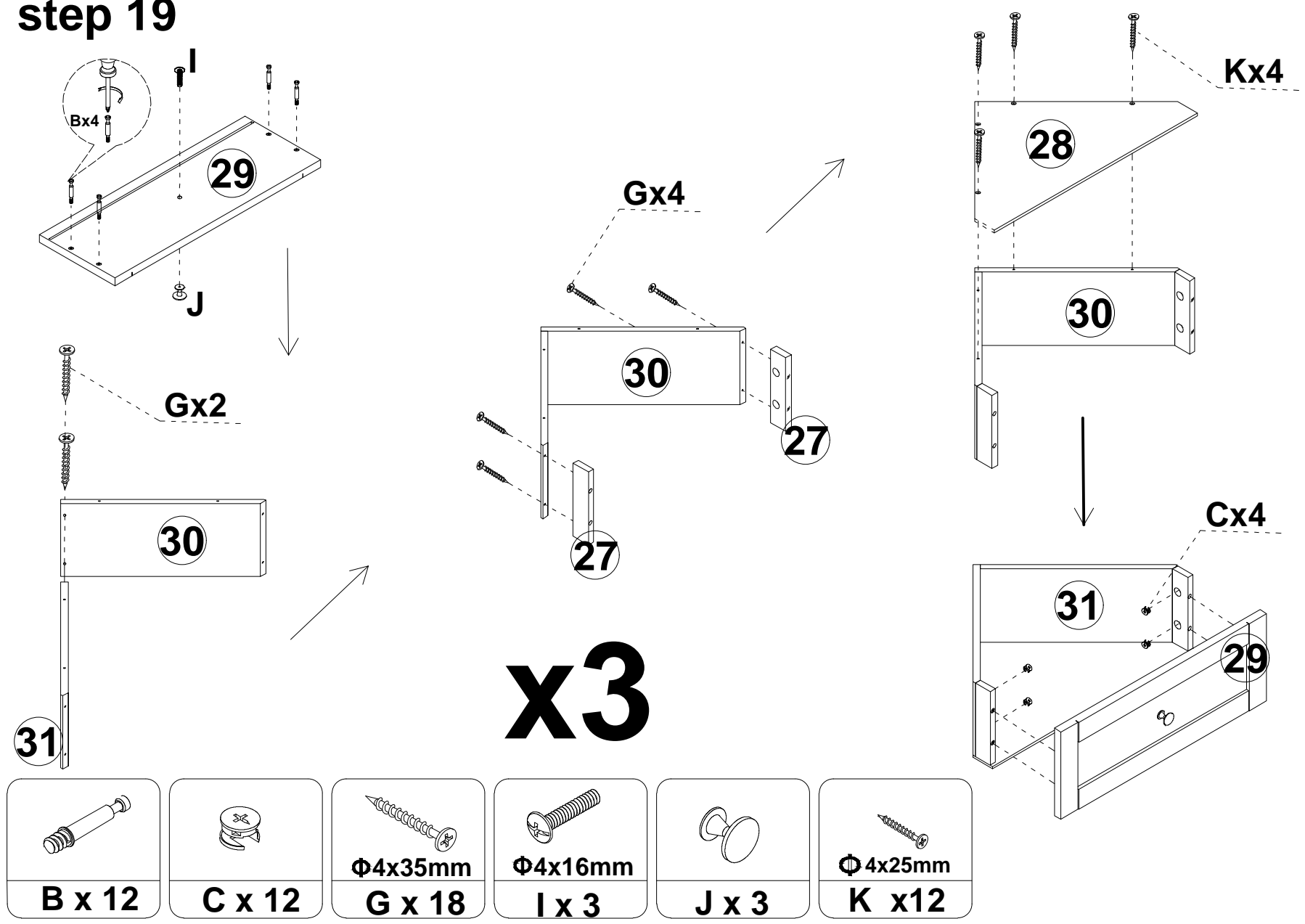
step 17

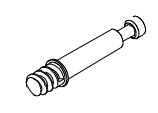



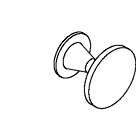



step 18

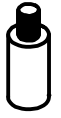
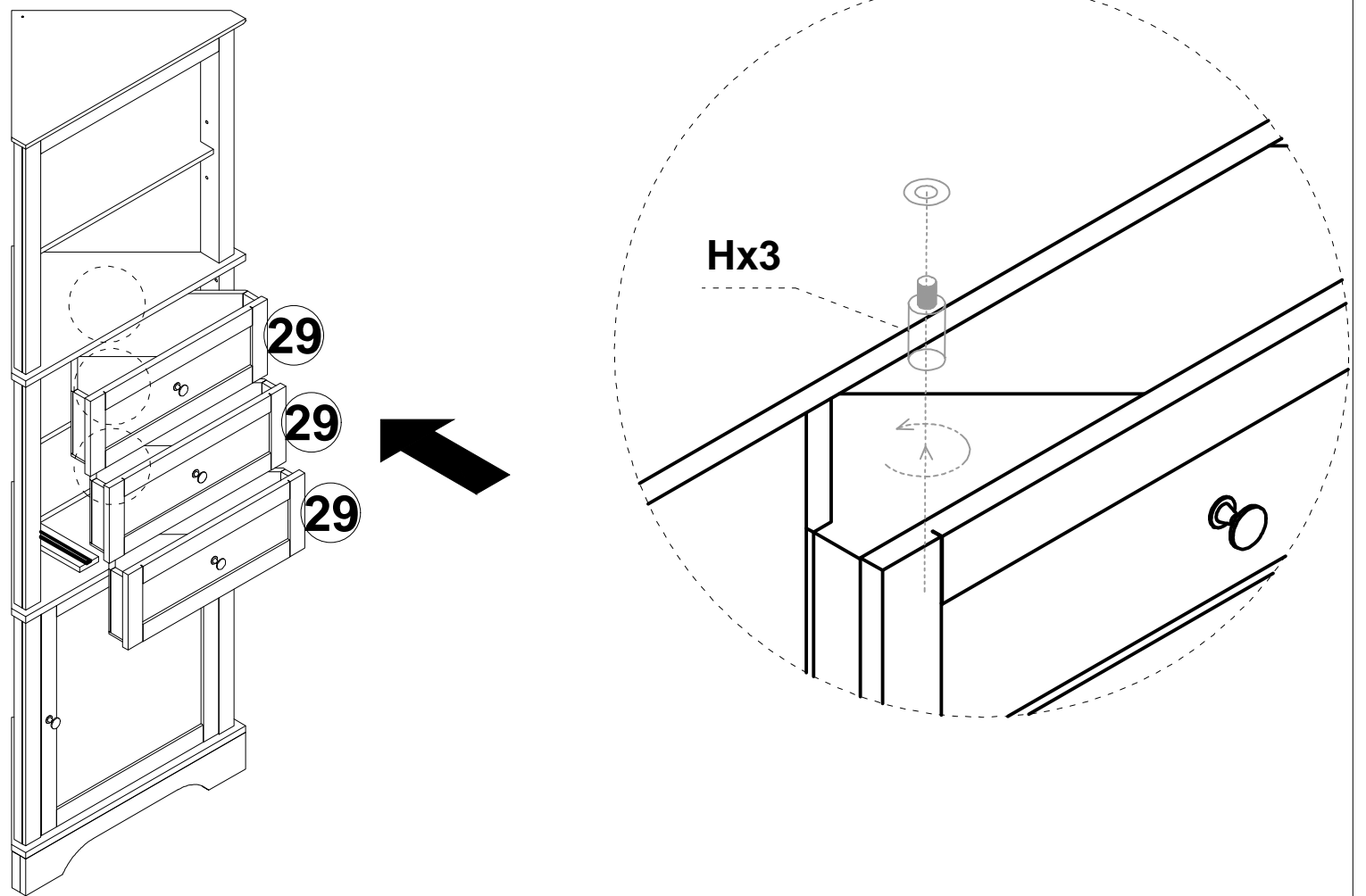


step 19



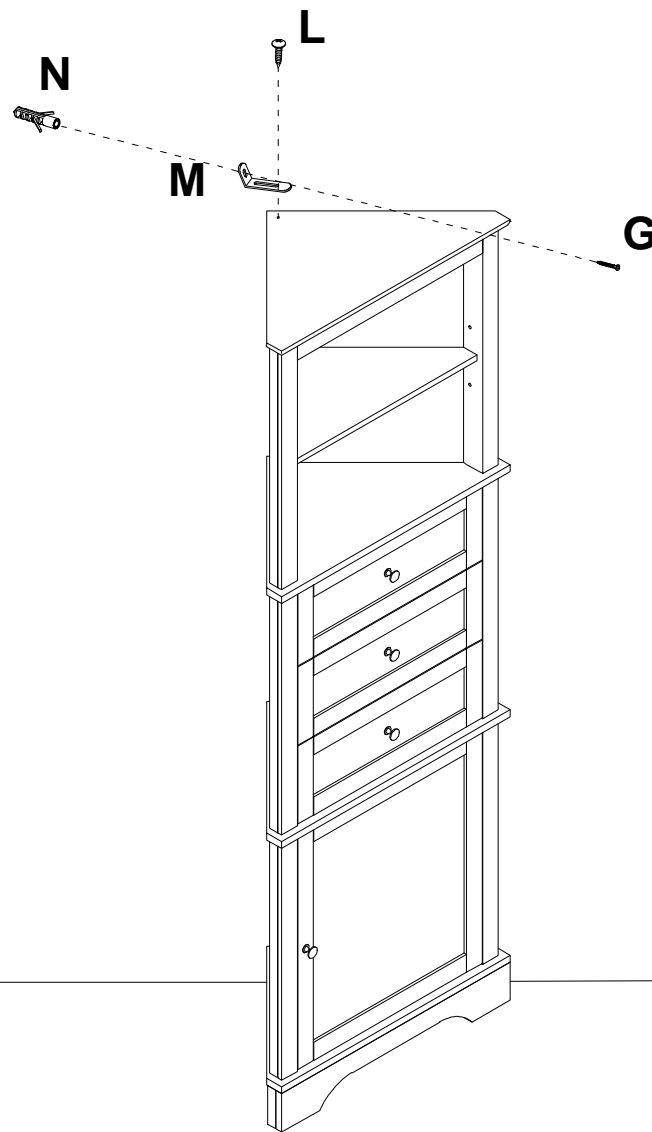
- | | | | | | |
|---|---|---|---|---|---|
|  |  |  |  |  |  |
| B x 12 | C x 12 | Φ4x35mm
G x 18 | Φ4x16mm
I x 3 | J x 3 | Φ4x25mm
K x 12 |

step 20

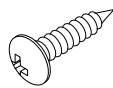


Hx3

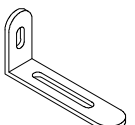
step 21



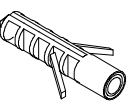
$\Phi 4 \times 35 \text{mm}$
G x1



$\Phi 4 \times 12 \text{mm}$
L x1



M x1



N x1