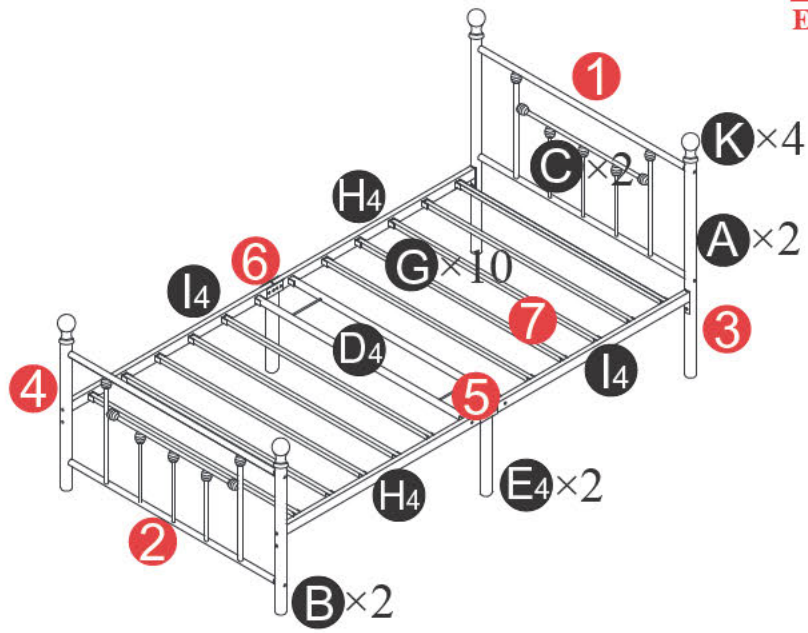
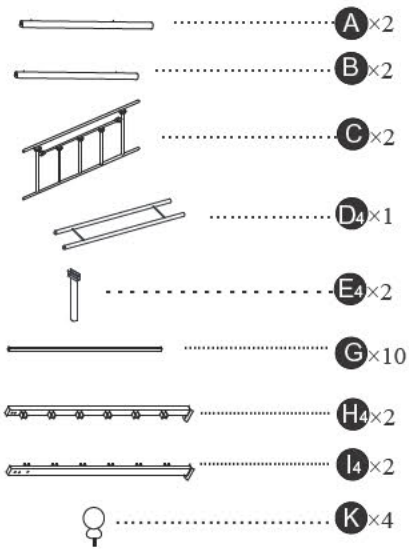


Bed Frame Installation Manual

#Number System
Easy assembly by following 1,2,3...



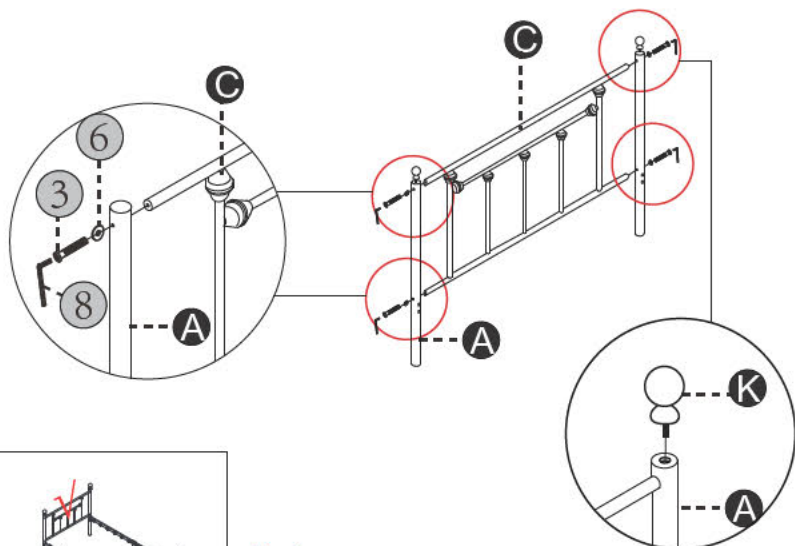
Componets



Screws & Tools

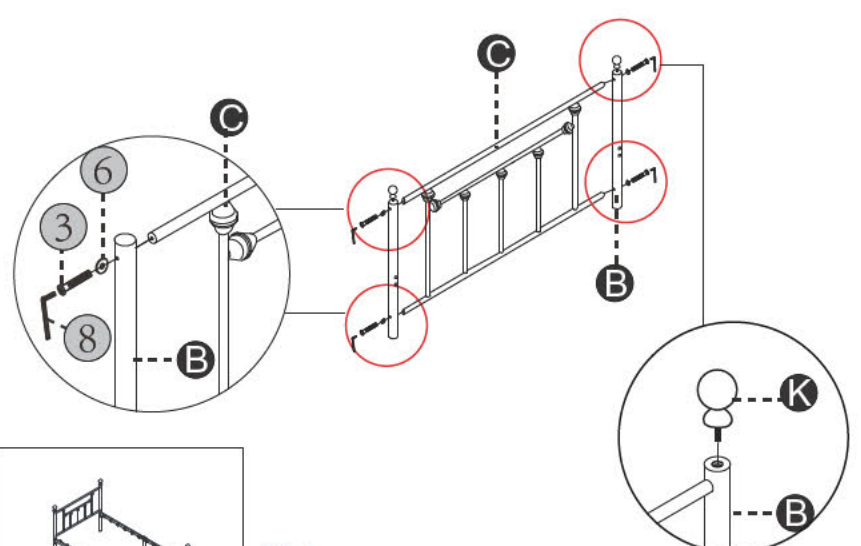
①		M8x50mm	x8
②		M8x35mm	x8
③		M6x60mm	x8
④		M6x40mm	x4
⑤		M6x15mm	x4
⑥			x16
⑦		M8	x12
⑧		M5	x1
⑨		M13/M10	x1

① Headboard assembly



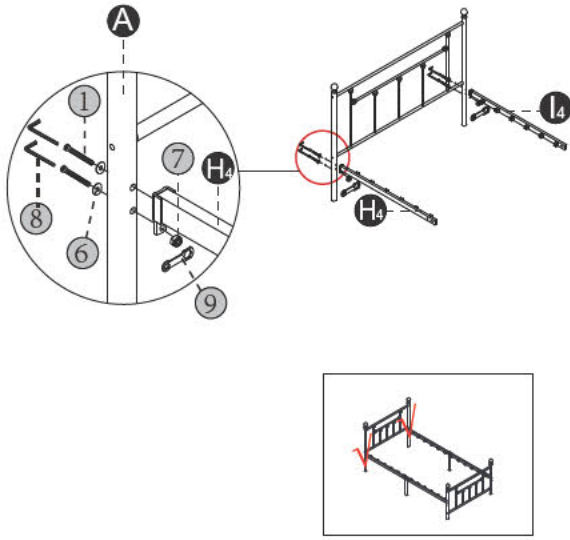
Note:
In this step, do not tighten screw ③

② Footboard assembly

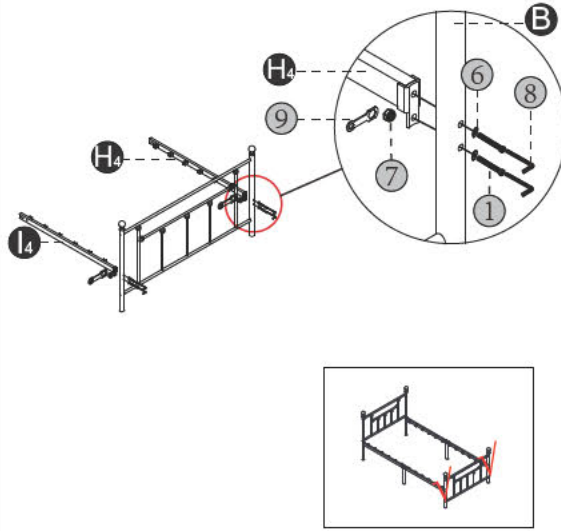


Note:
In this step, do not tighten screw ③

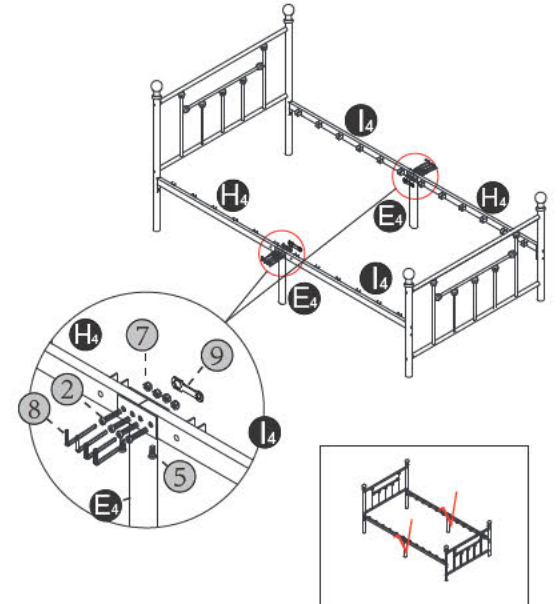
3 Connect **H₄** & **I₄** to headboard



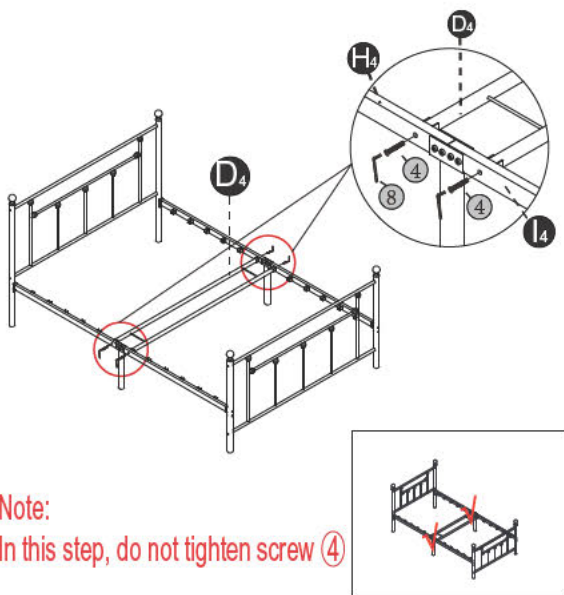
4 Connect **H₄** & **I₄** to footboard



5 Connect **E₄** to **H₄** & **I₄**



6 Connect **D₄** to **H₄** & **I₄**



Note:
In this step, do not tighten screw **4**

7 Assemble bed slats



Note:
If the bed slats cannot be inserted easily,
loosen the screws (step **1 2 6**)

8 Check and tighten all screws

