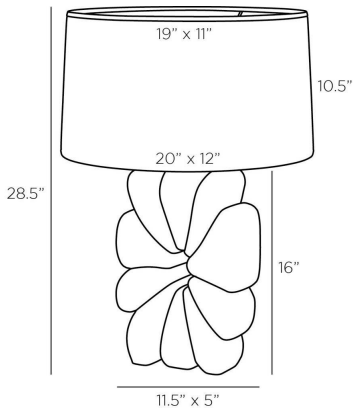


# ARTERIOS

## ASHLEY LAMP



PTC23-431

H: 28.5 IN, W: 20 IN, D: 12 IN,  
Ivory, Glass Stone

Petals of ivory glass stone composite gather and converge to form a floral shape reminiscent of a freshly picked daisy. The Ashley's free-form sculptural shape is left hollow in the center to intrigue the eye. The whimsical silhouette is accented with antique brass finished hardware and an oval drum shade of ivory microfiber lined in cotton. Taupe cloth cord and three-way rotary switch. Finish will vary.

### APPEARANCE

Material	Glass Stone, Steel, Microfiber, Cotton
Finish	Ivory, Antique Brass, Off-White
Finish Will Vary	Yes
Top Coat/Sealant	Yes
Finial Description	Antique Brass Sphere

### DIMENSIONS

Body	H: 16 IN, W: 11.5 IN, D: 5 IN
Foot Print	W: 8.5 IN, D: 5 IN
Neck	H: 2 IN
Shade Bottom	W: 20 IN, D: 12 IN
Shade Side	H: 10.5 IN
Shade Top	W: 19 IN, D: 11 IN
Harp Size	9" Antique Brass IN

### WIRING

Rating	Indoor Only
Tilt Test	10 Degrees - AU
Cord	10 FT, Back of Lamp Base, Taupe Fabric,
Socket	1, Type A - E26
Switch	At Socket, 3-Way Rotary
Maximum Watt	150
Voltage	110-120 V

### CERTIFICATIONS

Certifications	Mexico, United Arab Emirates, United Kingdom, United States, Canada, Australia
----------------	--

### COMPLIANCY

UL/ETL	Yes
CB	Yes
RoHS	Yes

### SHIPPING

Product Weight	44.8 lbs
Gross Weight 1	51 lbs
Shipping Box 1	H: 25.5 IN, L: 16.5 IN, W: 9 IN
Shipping Box 2	H: 34 IN, L: 21.5 IN, W: 13.5 IN

### ADDITIONAL INFO

Shade Shape	Oval
Shade Trim	Rolled Edges
Shade Type	Hardback

### CONTRACT

Contract Suitable	Yes
-------------------	-----