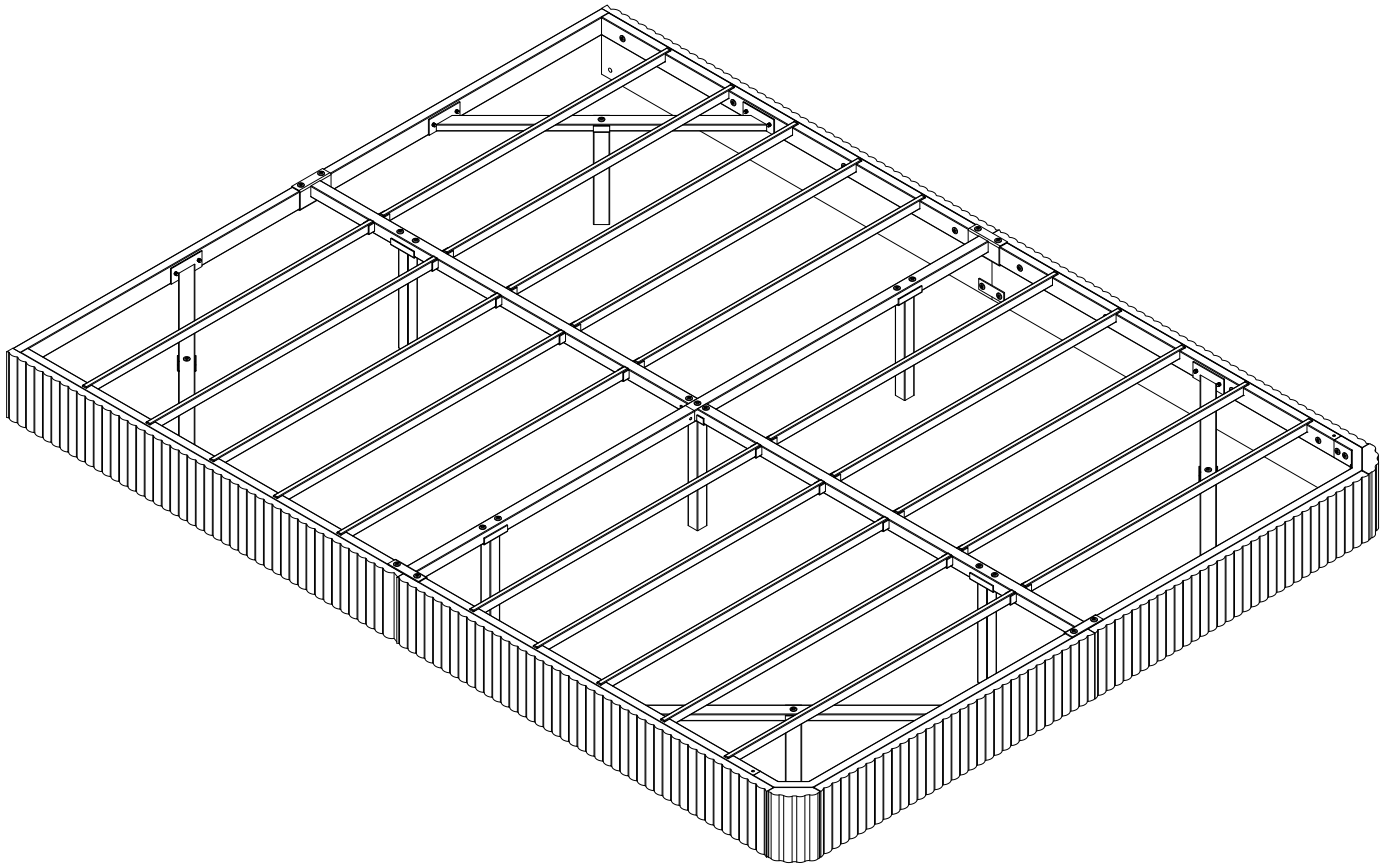
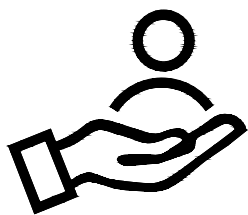


# Queen Fluted Floating Bed



“



## Warm Reminder

If you experience any issues with our product (including missing parts, damage, installation issues, or not meeting expectations), please contact us. We'll ensure satisfactory assistance within 24 hours.

”



## General Guidelines

- Please read the following instructions carefully and use the product accordingly.
- Please keep this manual and hand it over when you transfer the product.
- This summary may not include every detail of all variations and considered steps. Please contact us when further information and help are needed.

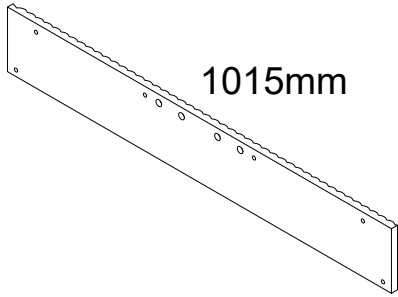
## Notes

- The product is intended for indoor use only. The product must be assembled and used in accordance with the provisions of the manual. Personal injury and / or damage to the product may occur if products are used outside of their intended purposes and/or if products have been changed/modified from their original design.
- The seller does not assume any responsibility or liability with respect to any injury/damage caused by incorrect assembly or improper use.
- Avoid long-term exposure to humid environments to prevent mildew.
- Keep the product away from fire sources and high temperatures. Do not expose the product to direct sunlight.
- Do not place any hot objects on the surface of the product.
- If there are any defective or missing parts after unpacking, please cease assembly immediately and contact us.
- Please assemble the item on a spacious surface and do not place the unwrapped product directly on the ground to avoid product damage.
- Please do not stand or sit on the wooden boards.
- Please wear gloves during the assembly and/or disassembly process to avoid scratches from any sharp edges.
- Please match the corresponding part and fitting based on the part number in the manual.
- If the part does not match with the fitting, please check the piece as specified in this manual.
- During assembly, first loosely align all screws with the corresponding pre-drilled holes and then tighten the screws one by one.
- Periodically inspect screw tightness while the product is in use. If necessary, retighten to ensure structural integrity.
- If you accidentally spill water or another liquid on the surface, immediately wipe clean with a dry towel.
- Please keep the product away from sharp, pointed objects and corrosive substances to prevent product damage.
- Please place this item on level, solid ground during use.

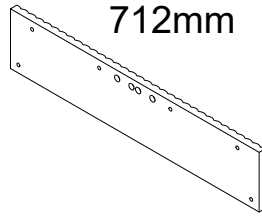
## Warnings

- During assembly, keep all small parts out of the reach of children. It may be fatal if swallowed or inhaled.
- Children should not climb or play on the product in order to avoid tipping over the furniture and causing serious injury.
- To avoid the potential dangers of suffocation, please keep all parts and packaging (film, plastic bags, foam, etc.) away from babies and children.
- Keep sharp objects and corrosive items away from the product to avoid any damage or injury.
- Do not shake or move violently during use to avoid tipping over the product.

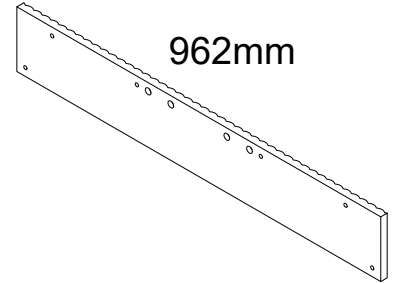
# Part list



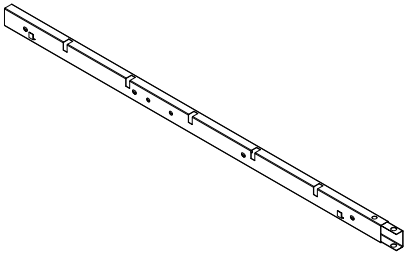
1015mm  
longest  
① X2



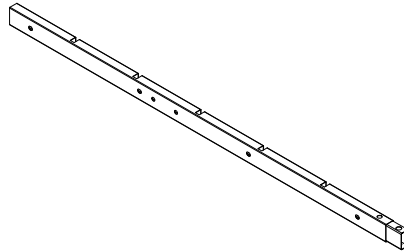
712mm  
minimum  
② X2



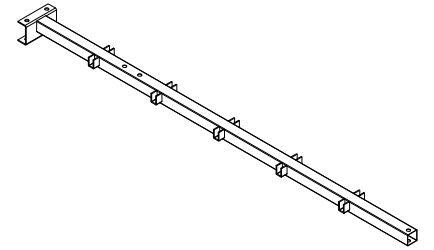
962mm  
③ X2



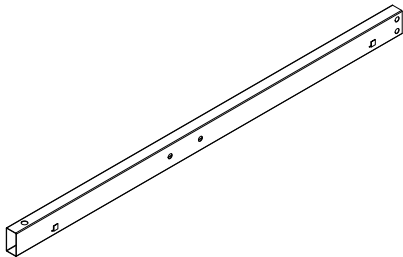
④ X1



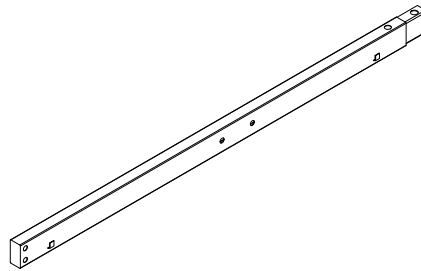
⑤ X1



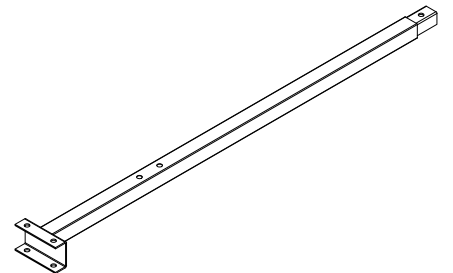
⑥ X2



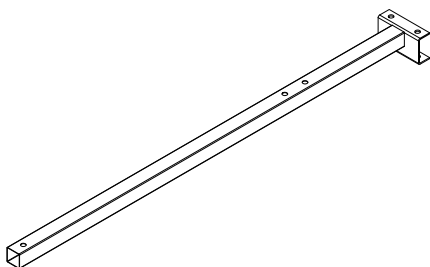
⑦ X1



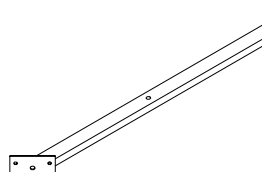
⑧ X1



⑨ X1



⑩ X1

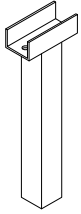


⑪ X4

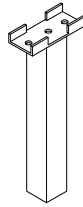


⑫ X4

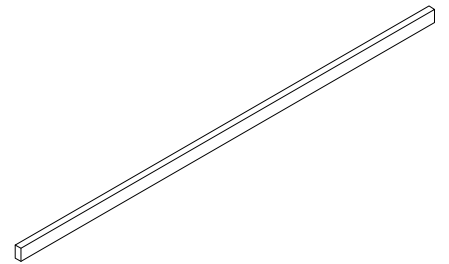
# Part list



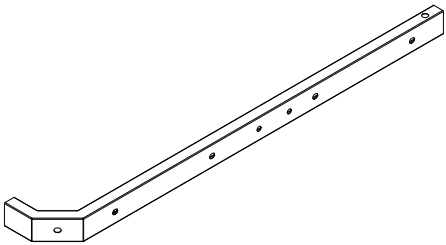
13 X4



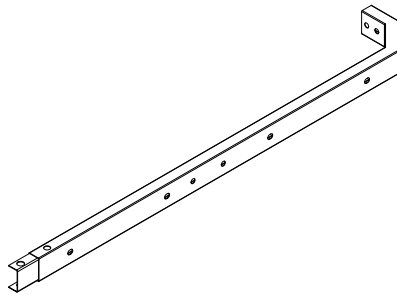
14 X1



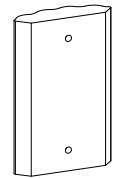
15 X20



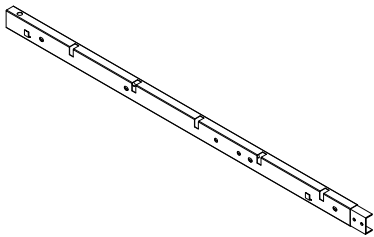
16 X1



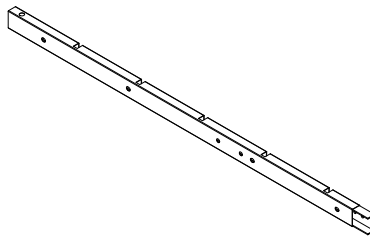
17 X1



18 X2

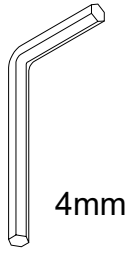


19 X1

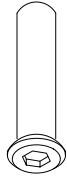


20 X1

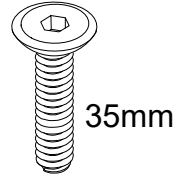
# Hardware list



**A** X2



**B** X8+1



**C** X27+2



**D** X42+2



**E** X16+2



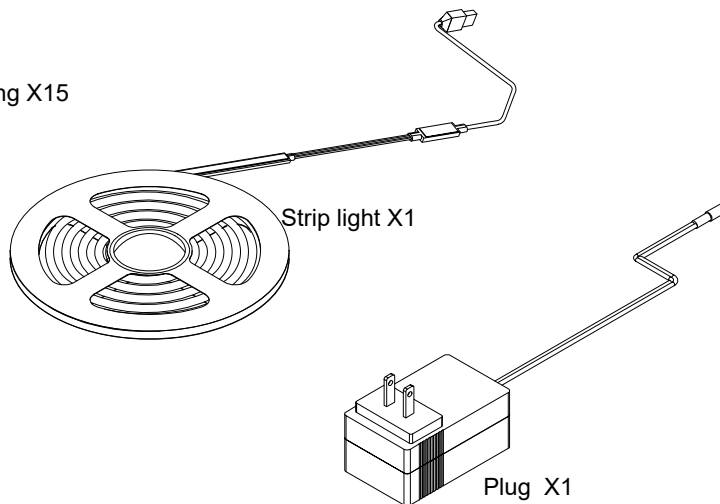
**F** X2



**G** X3

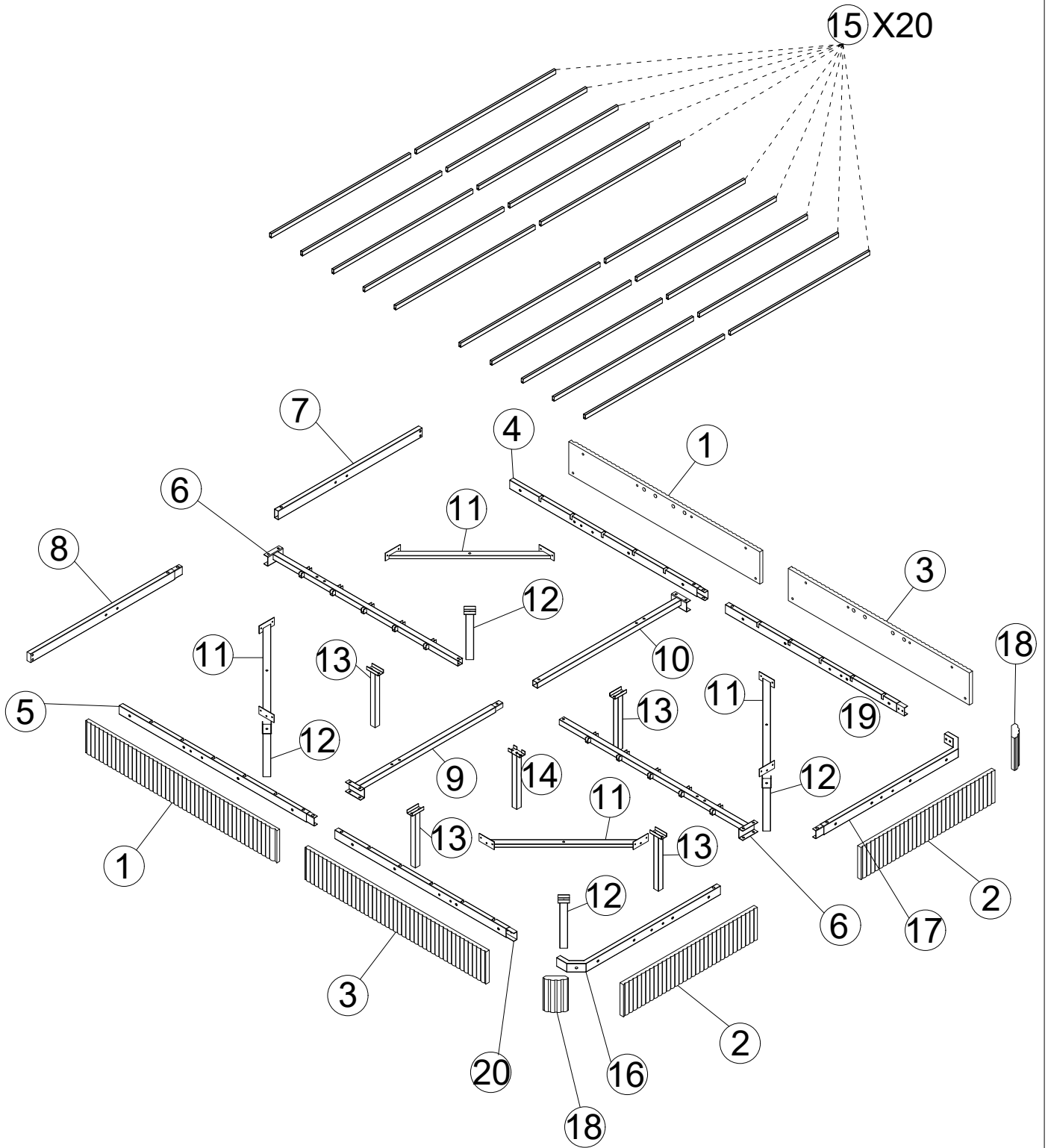
Remote control X1

Please remove the plastic film here before using the remote control.

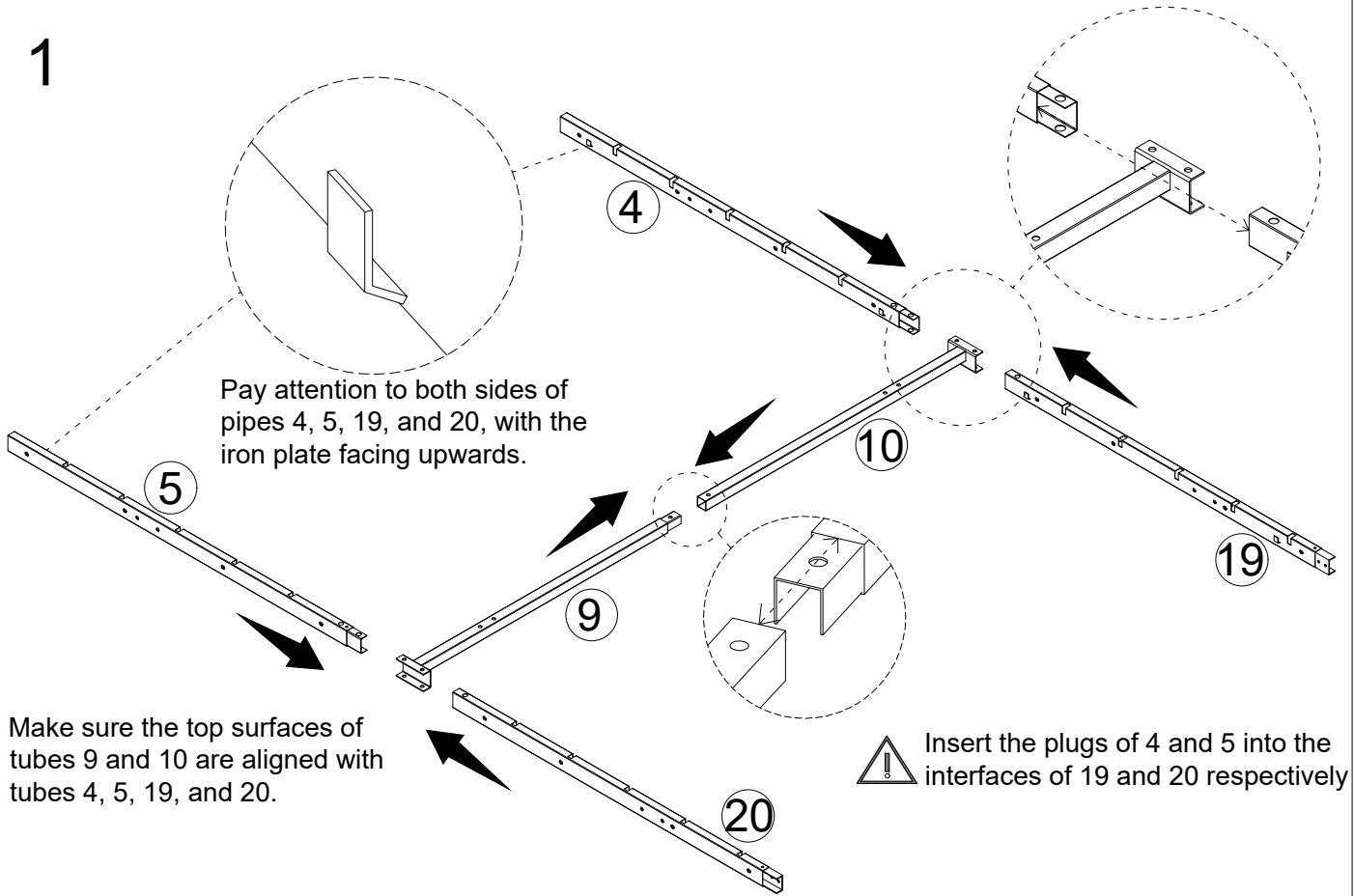


**H** X1

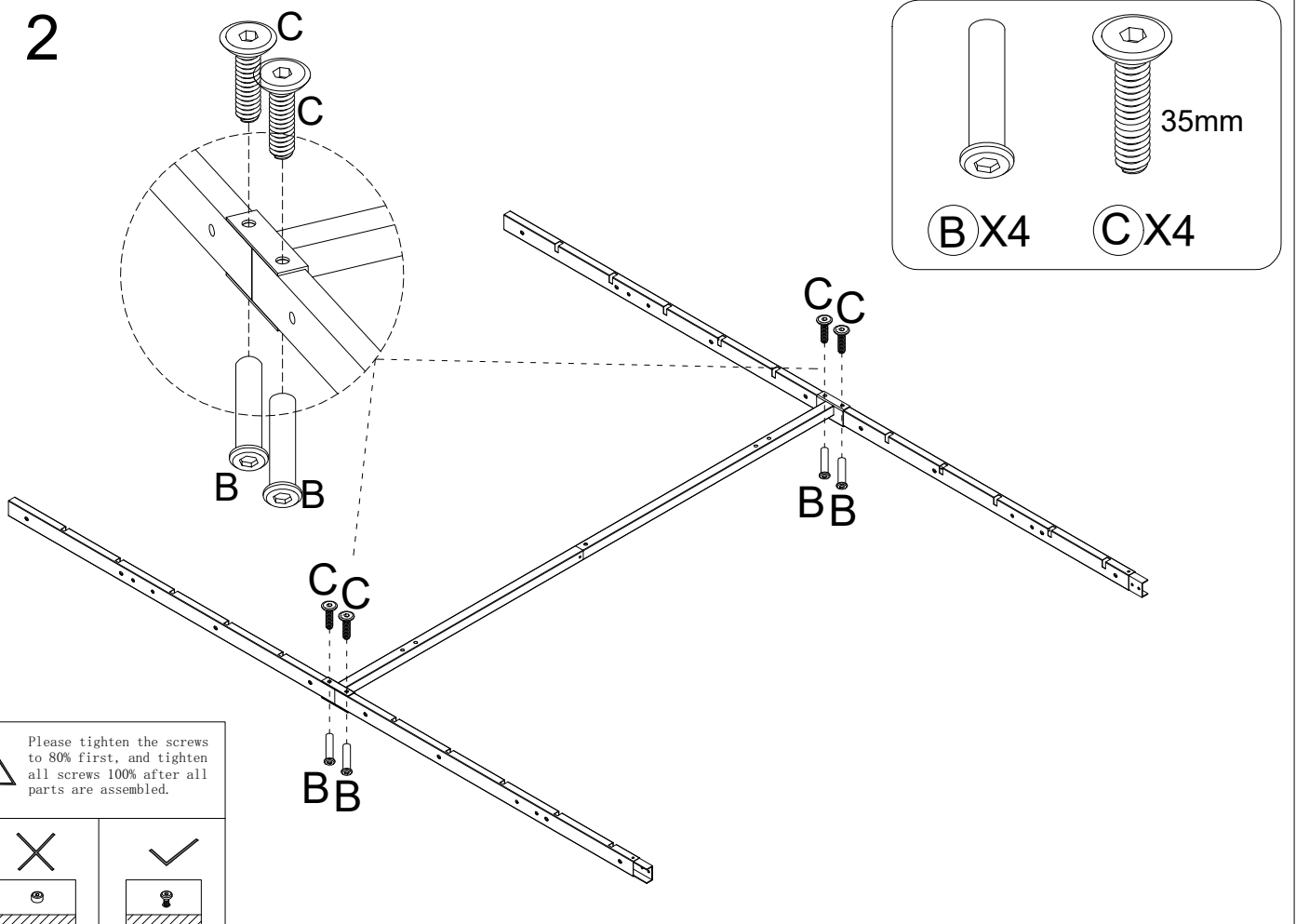
15 X20



1

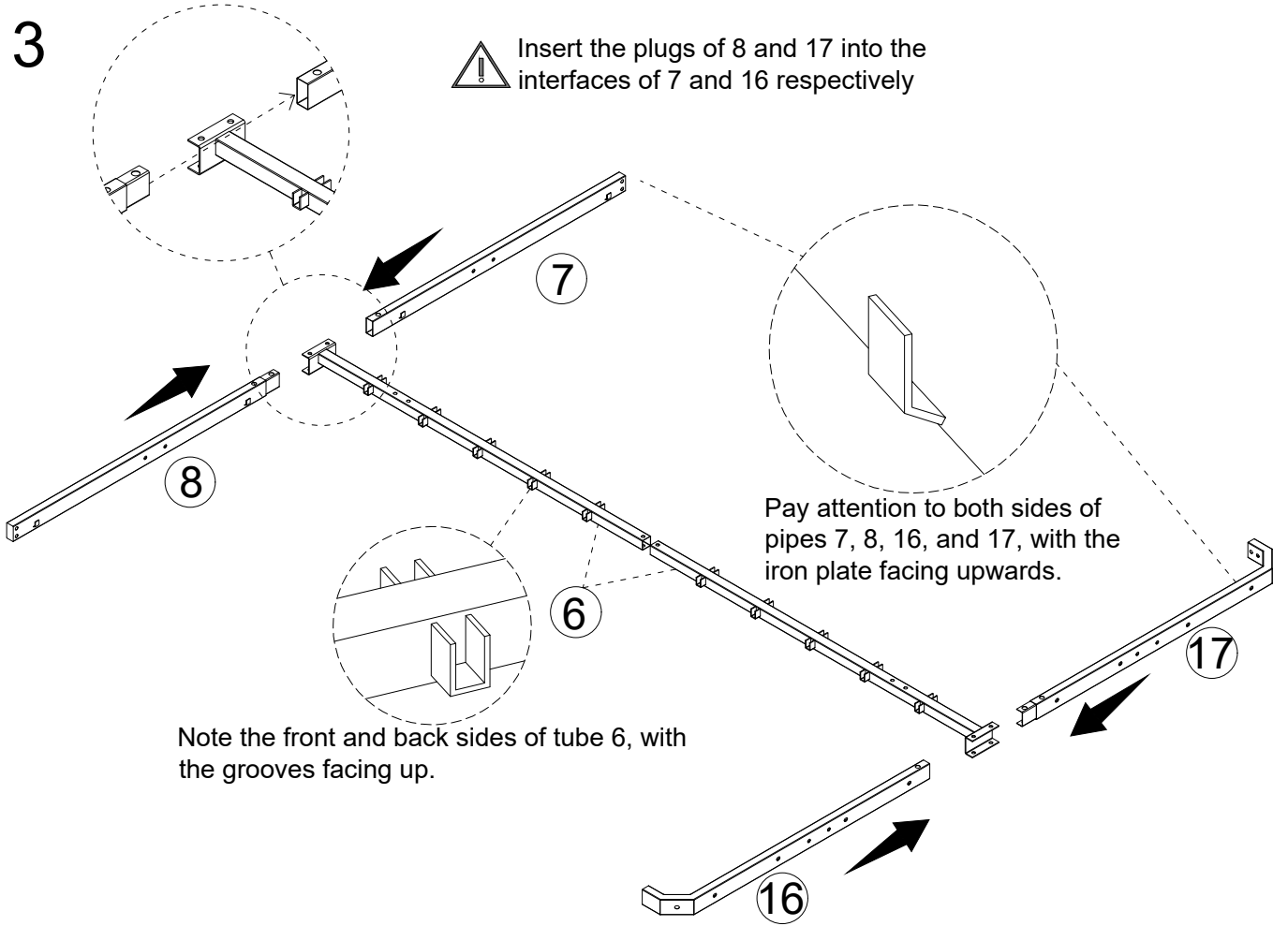


2



3

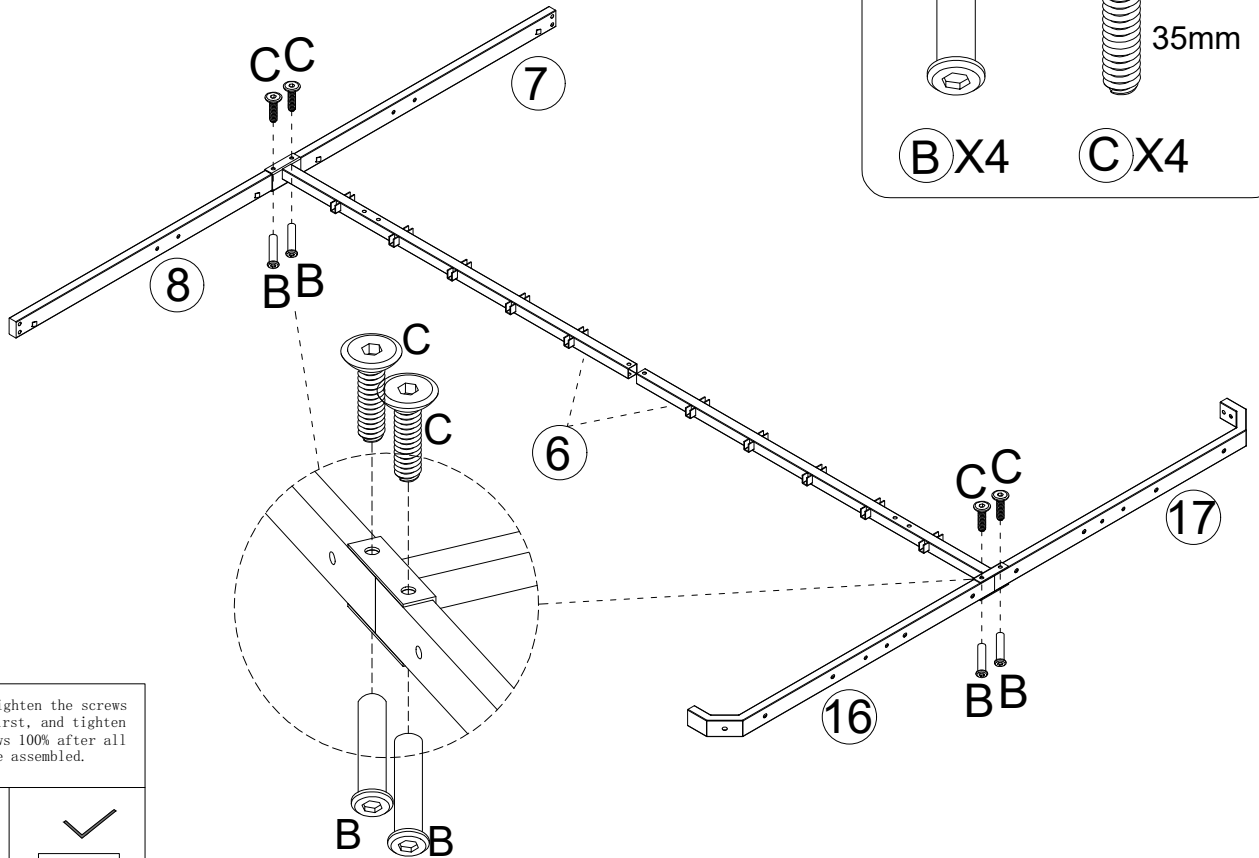
⚠ Insert the plugs of 8 and 17 into the interfaces of 7 and 16 respectively



Pay attention to both sides of pipes 7, 8, 16, and 17, with the iron plate facing upwards.

Note the front and back sides of tube 6, with the grooves facing up.

4



35mm

(B) X 4      (C) X 4

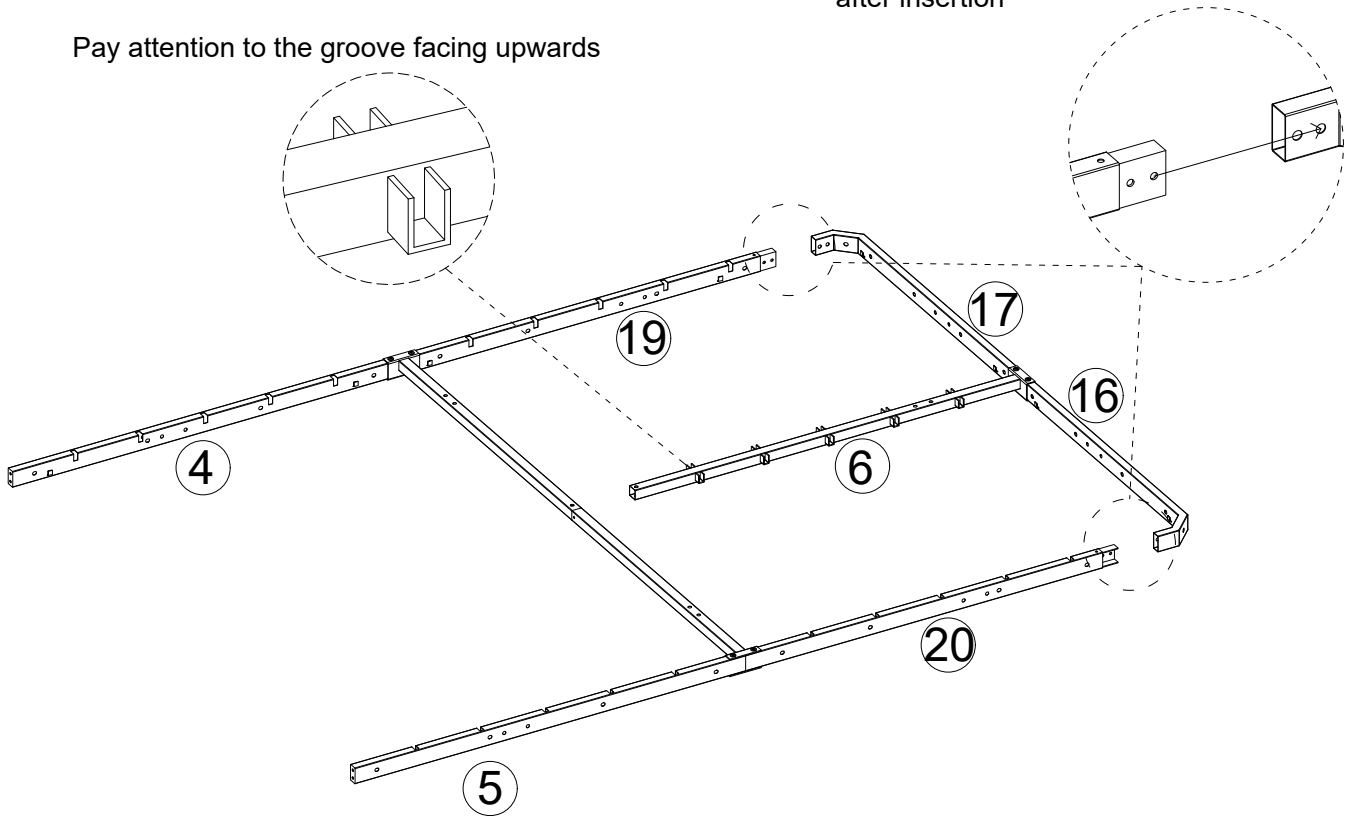
⚠ Please tighten the screws to 80% first, and tighten all screws 100% after all parts are assembled.

--	--

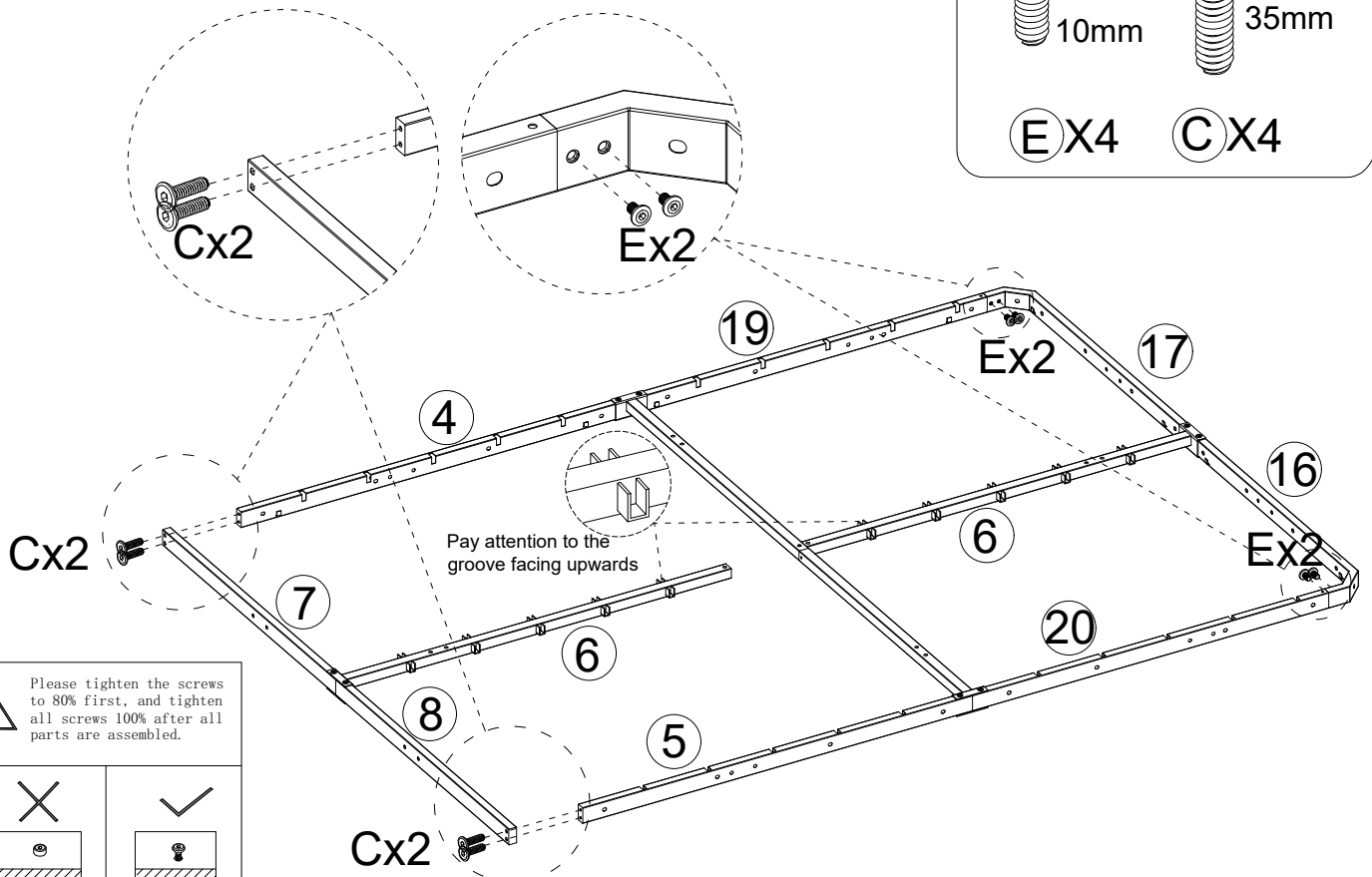
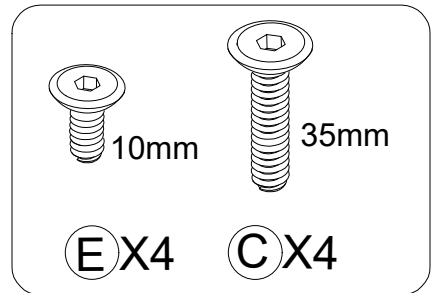
# 5

Pay attention to the groove facing upwards

Pay attention to aligning the hole positions after insertion



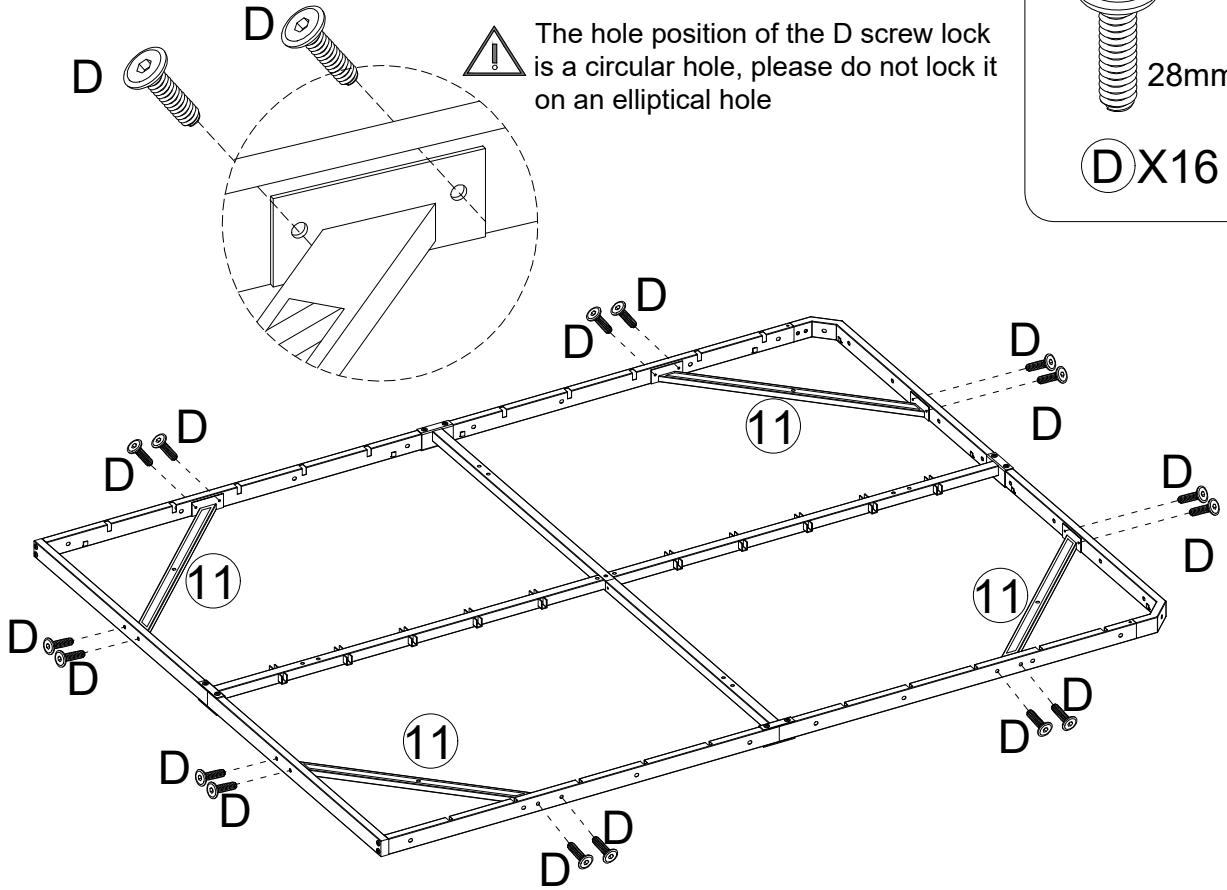
# 6



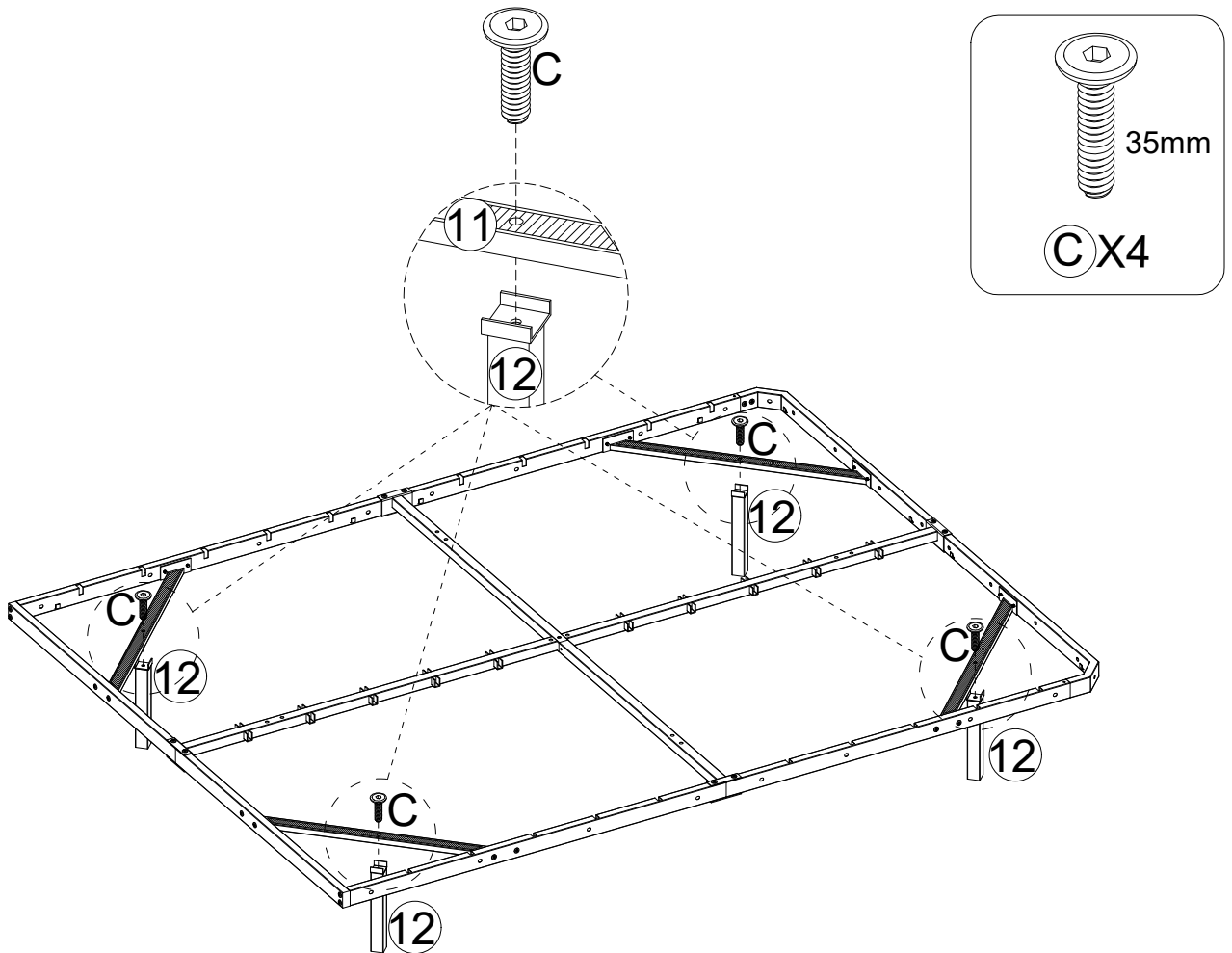
⚠ Please tighten the screws to 80% first, and tighten all screws 100% after all parts are assembled.


7

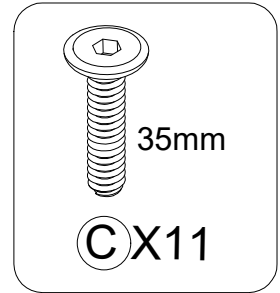
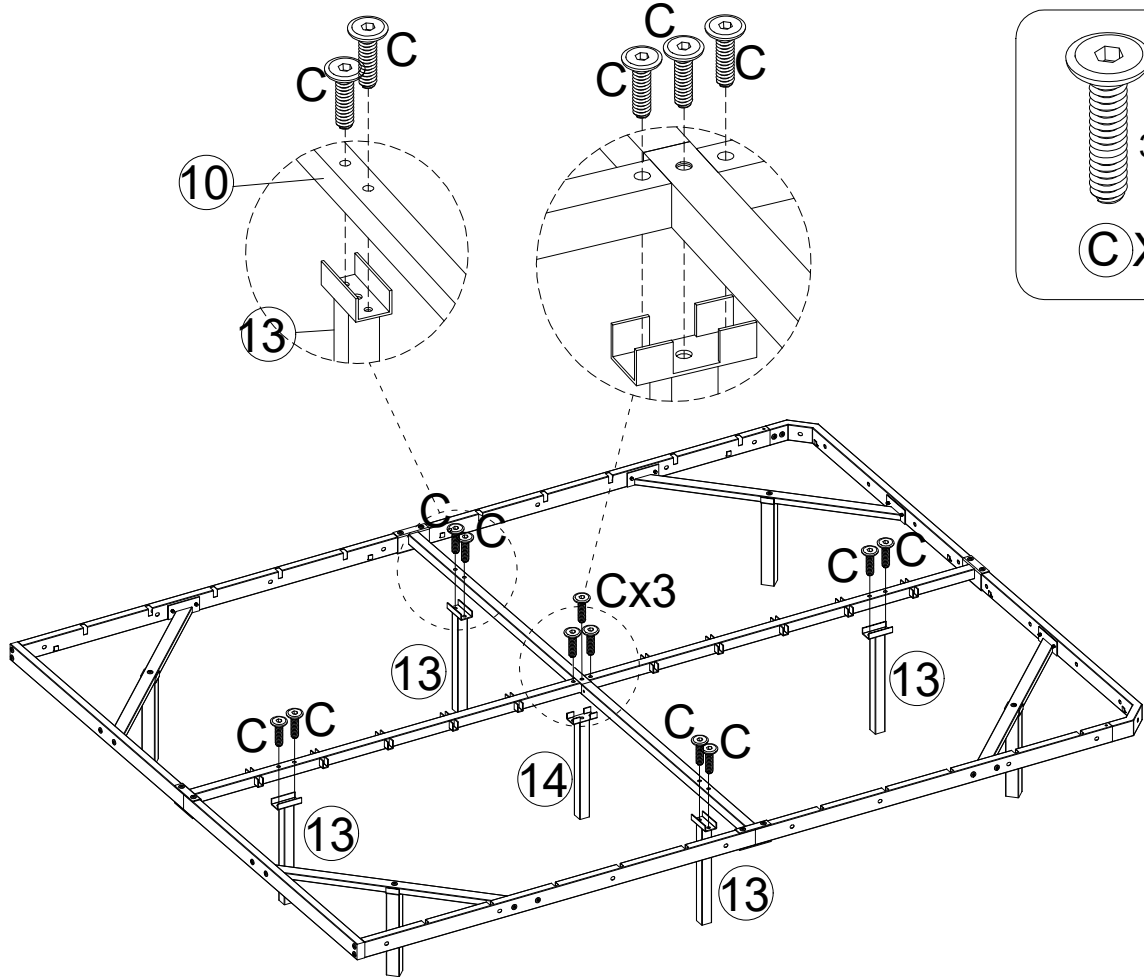
Note the foam side of tube 11 is facing upwards.



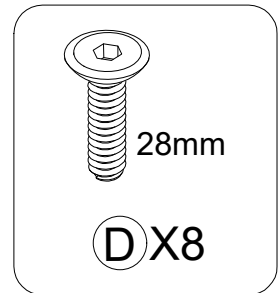
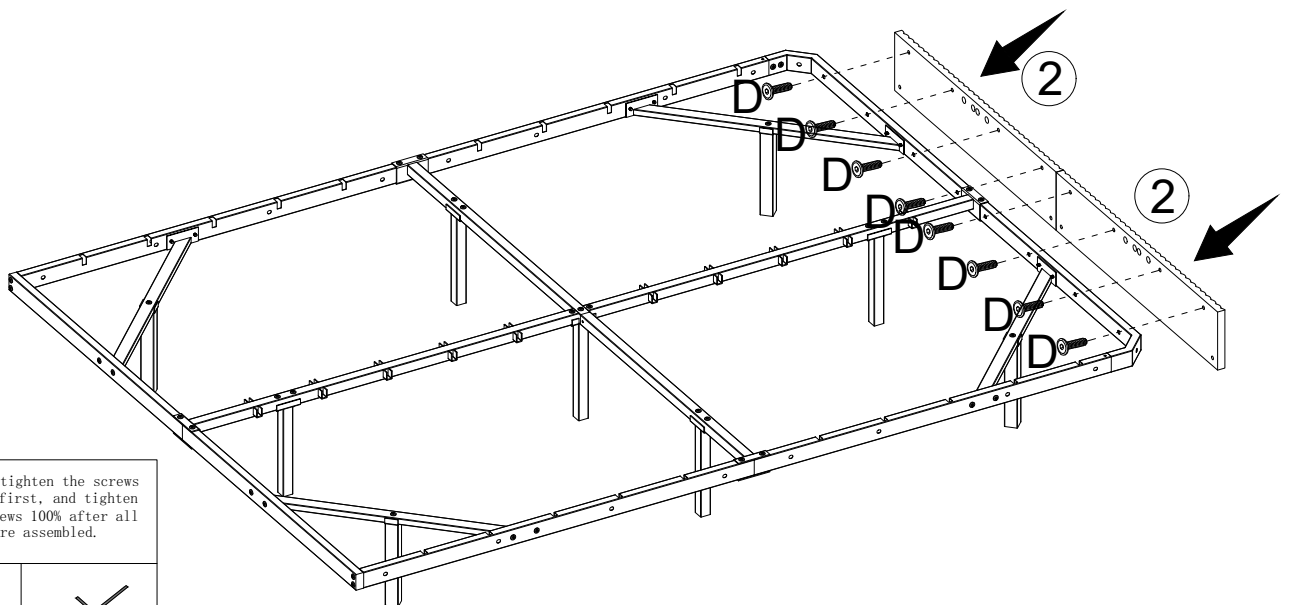
8




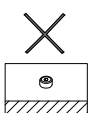
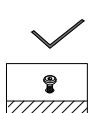
9



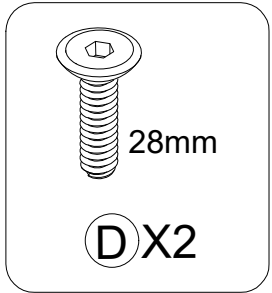
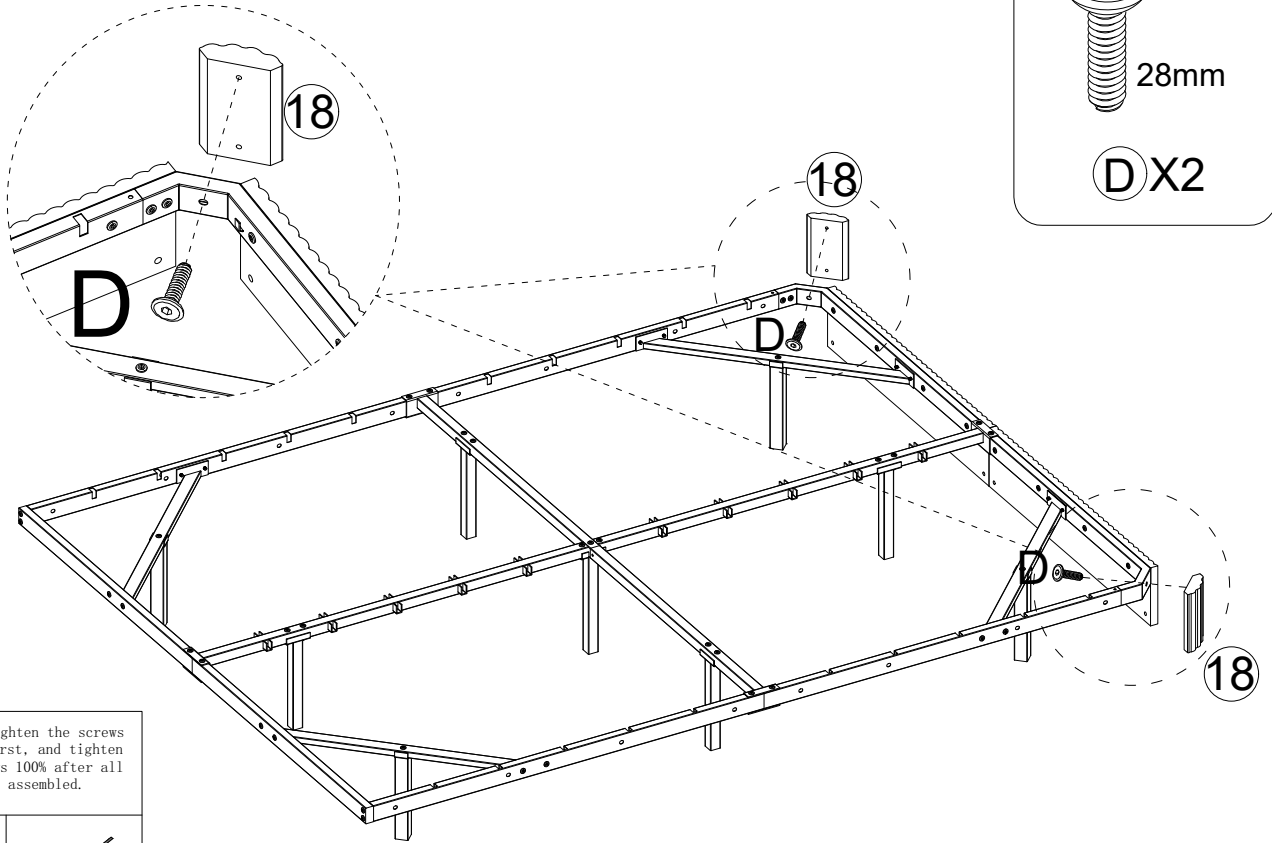
10








 Please tighten the screws to 80% first, and tighten all screws 100% after all parts are assembled.

	
---	---

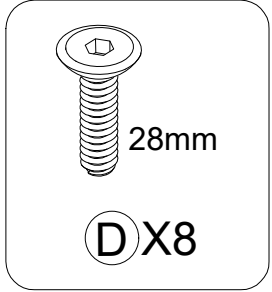
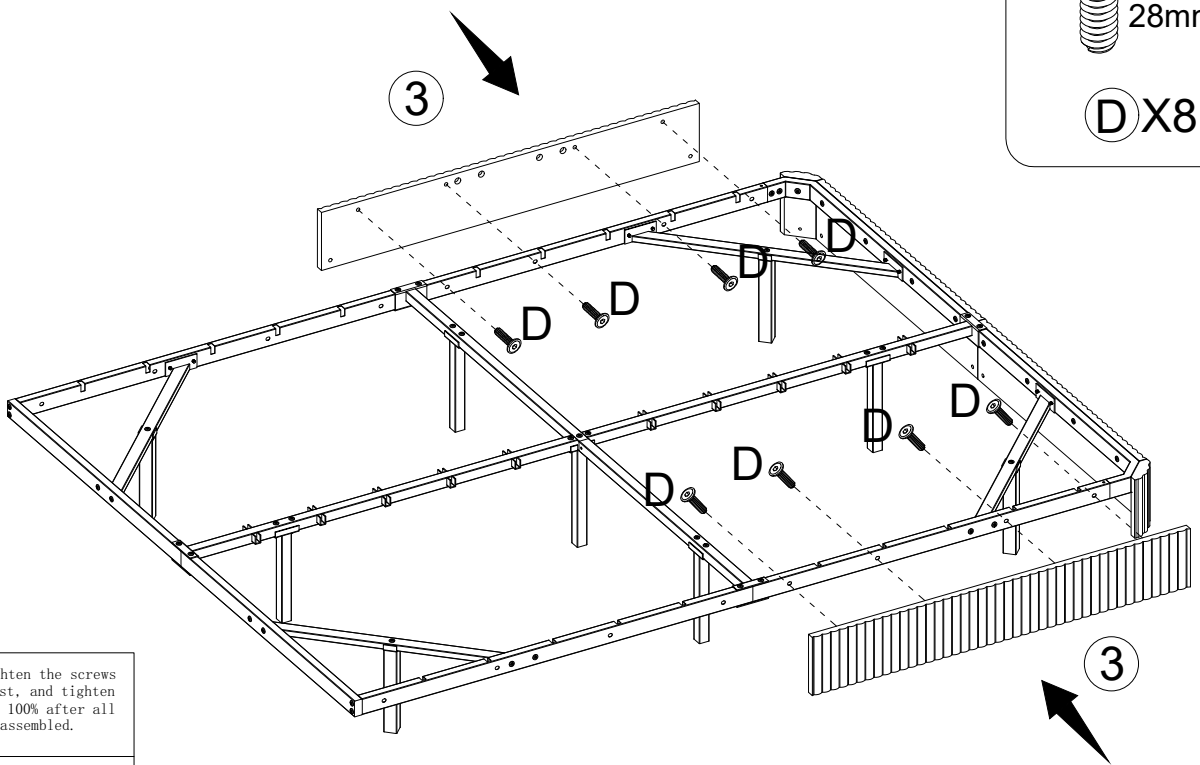
# 11





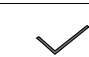
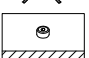
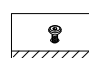
 Please tighten the screws to 80% first, and tighten all screws 100% after all parts are assembled.

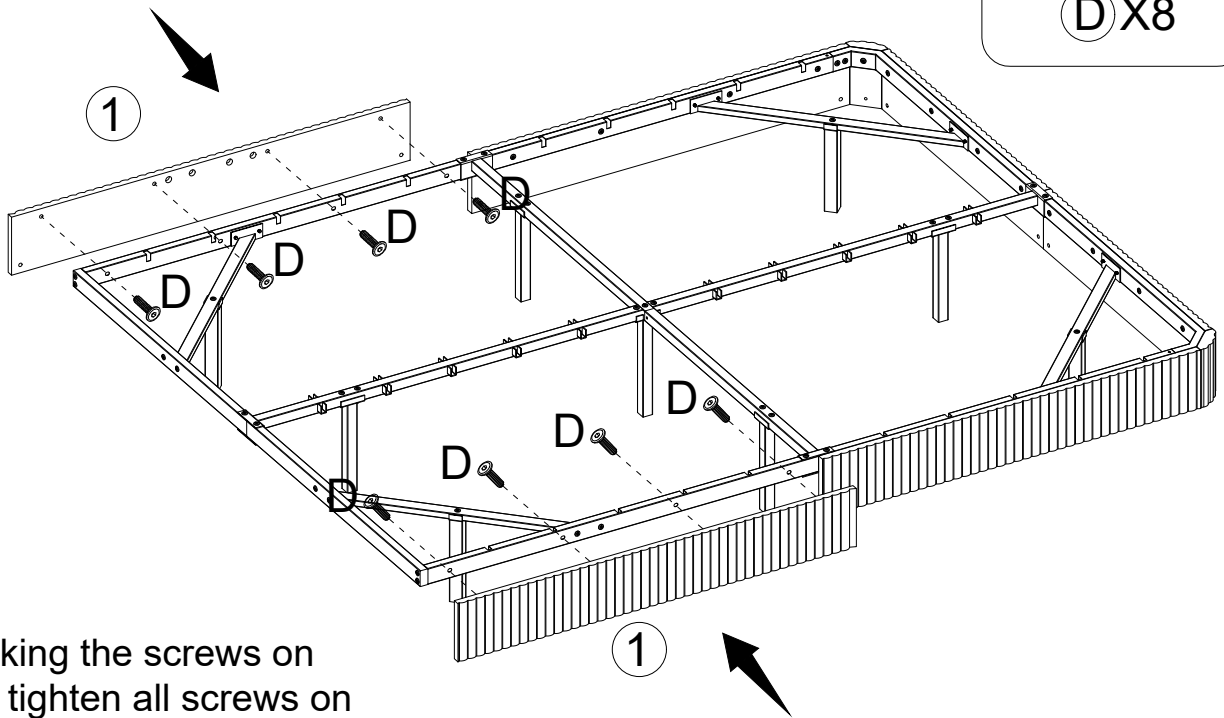
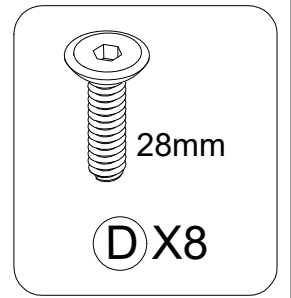
# 12



 Please tighten the screws to 80% first, and tighten all screws 100% after all parts are assembled.

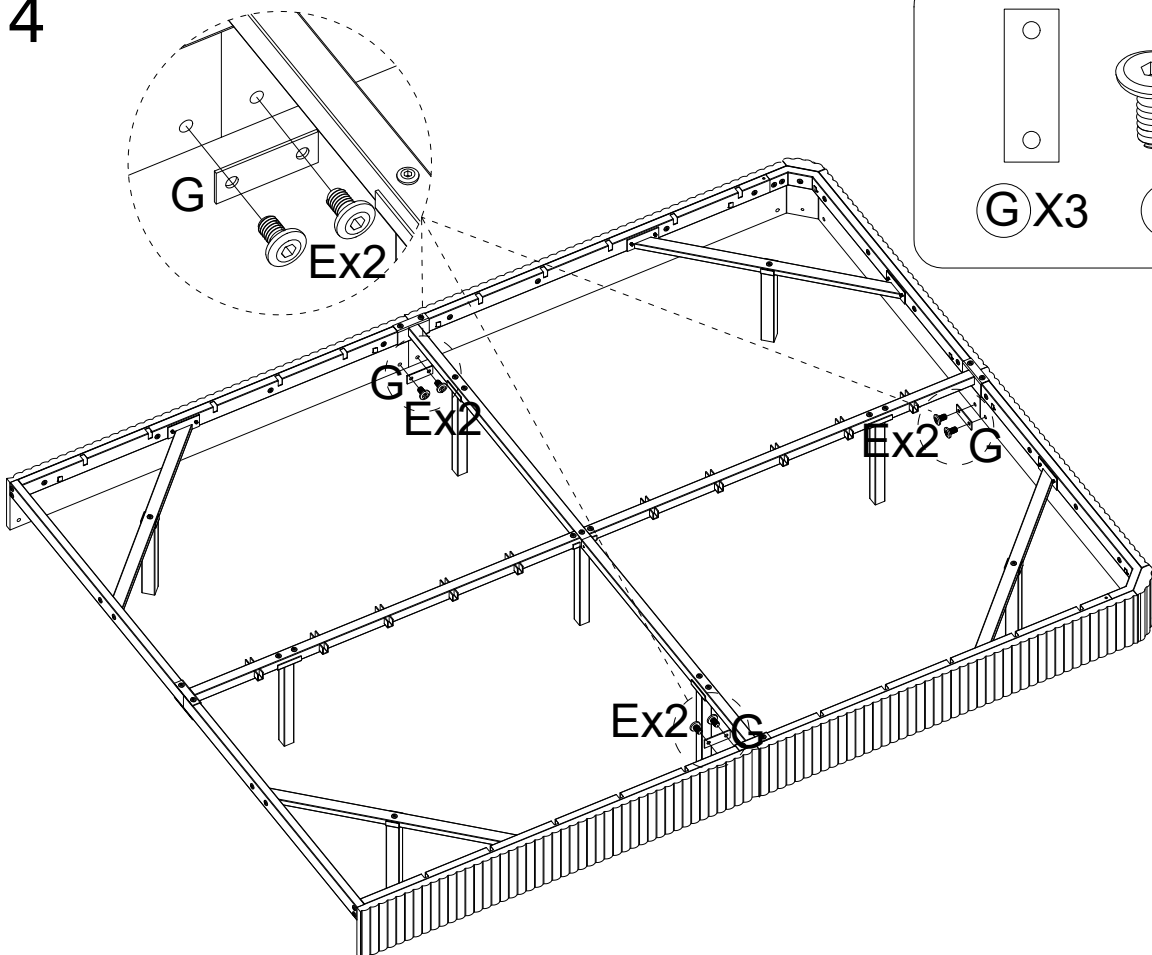
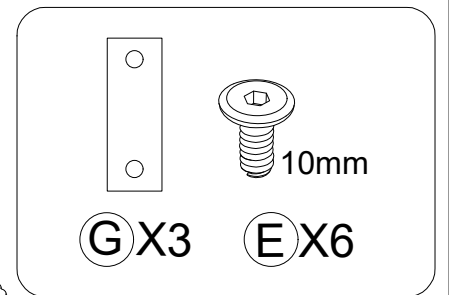
	
	

13

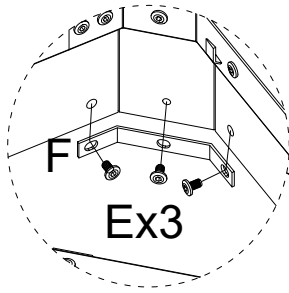


After locking the screws on board 1, tighten all screws on the locking board 100%

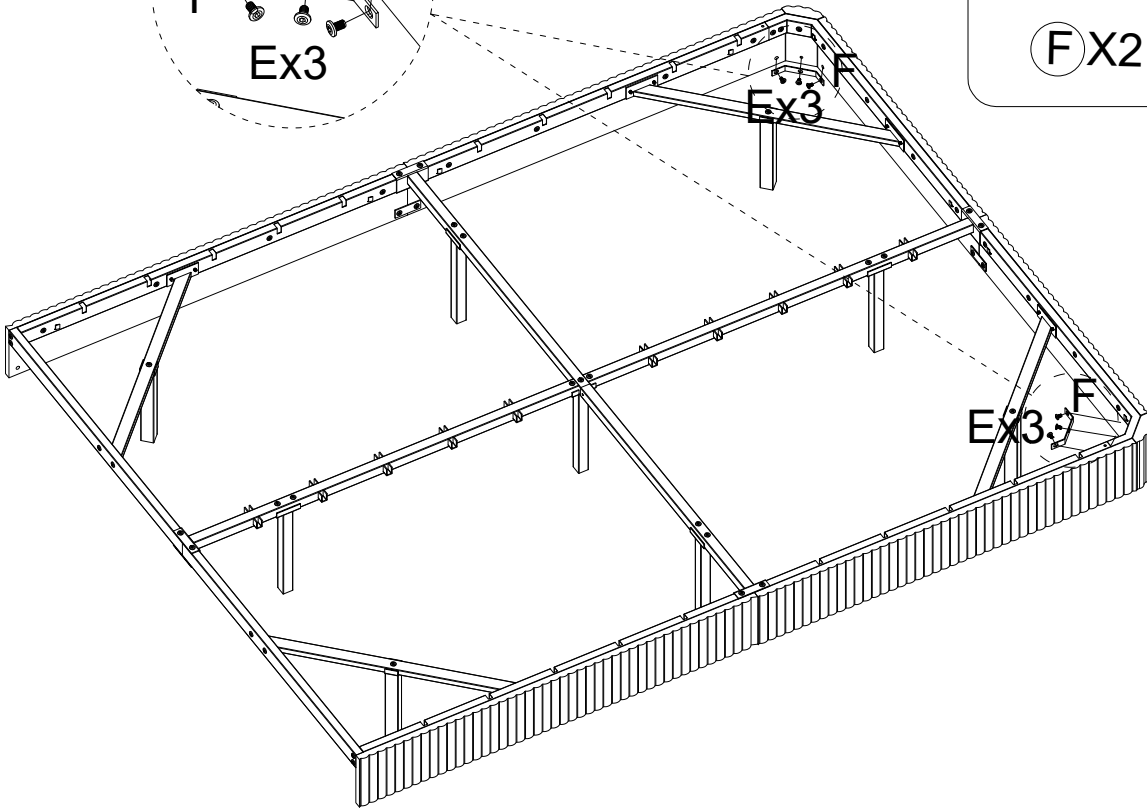
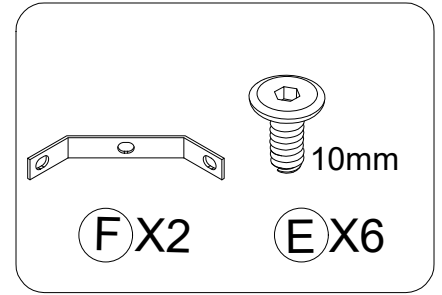
14



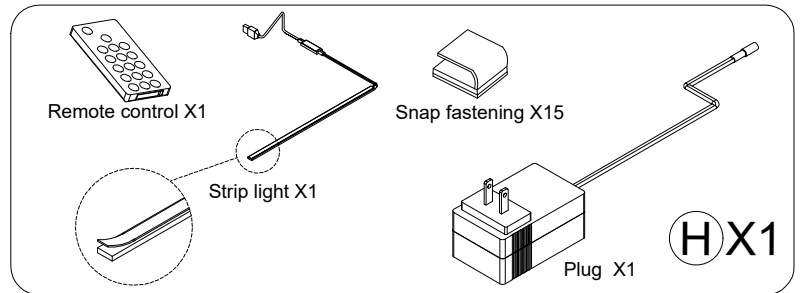
15



After installation, tighten all screws 100%



16



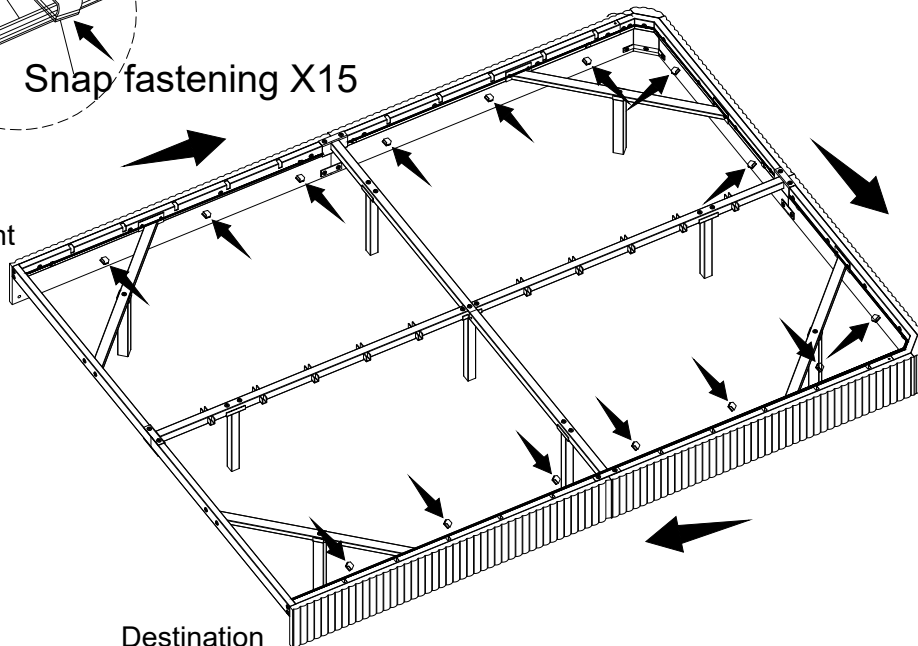
Strip light

Snap fastening X15

Connect the external power supply

Starting point

Destination



17

15 X20

