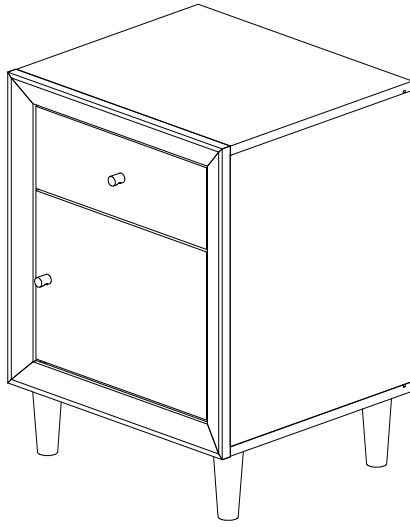
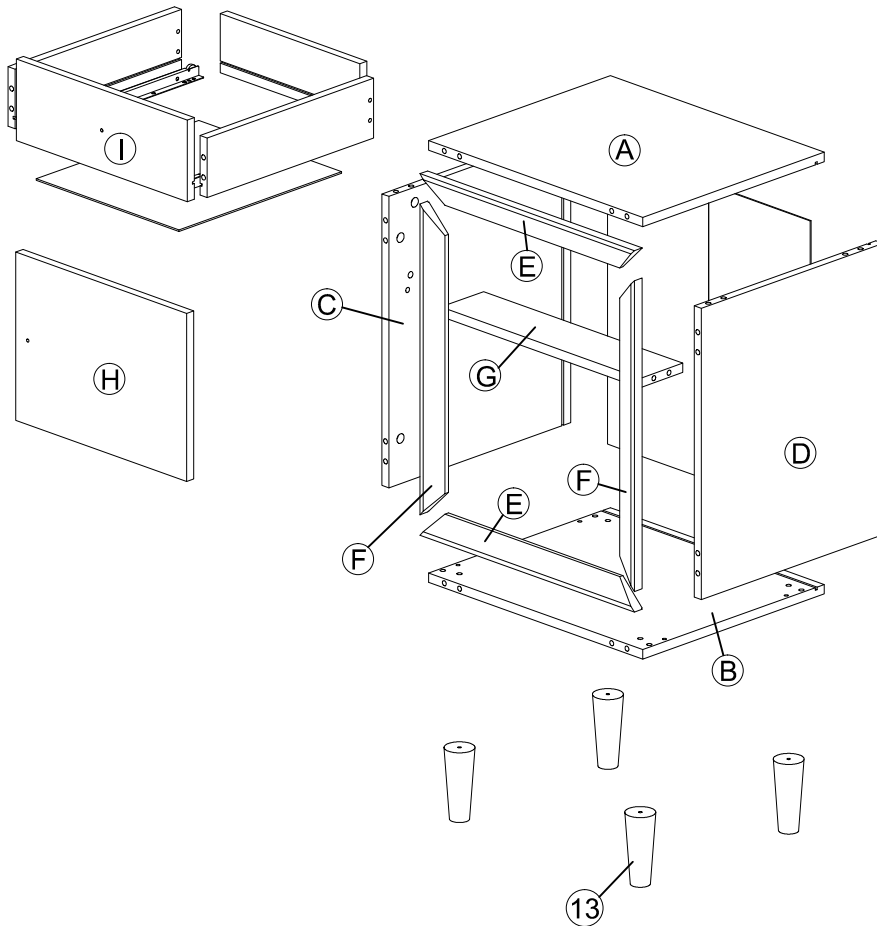


Assembly Instruction


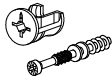


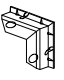
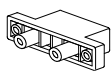



Part List



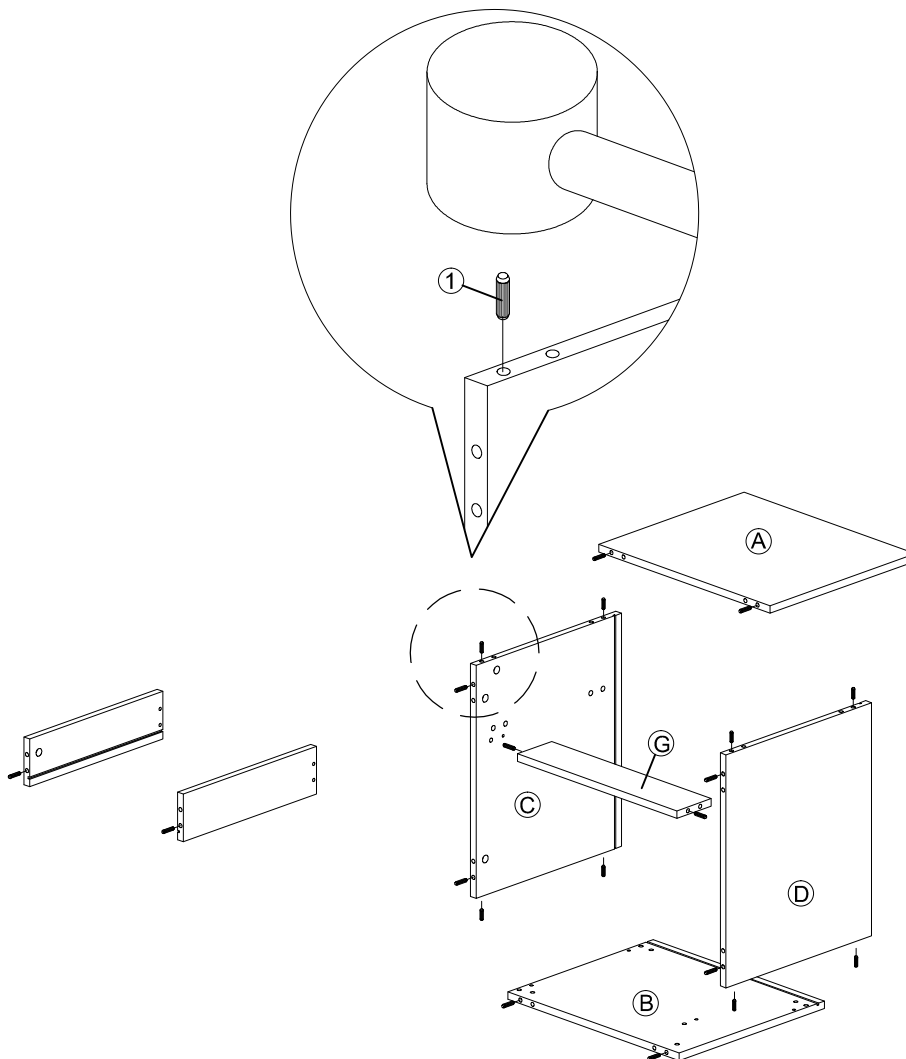
Assembly Instruction

Hardware List

No.	SHAPE	DESCRIPTION	Qty.
1		8x25mm Wood Dowel	20Pcs
2		15MM Titus Mini Fix	16Sets
3		Minifix Cap	2Pcs
4		M3x16mm Screw	4Pcs
5		Z Bracket (Big)	2Pcs
6		PVC Drawer Pin	6Pcs
7		M3.5x16mm Screw	16Pcs

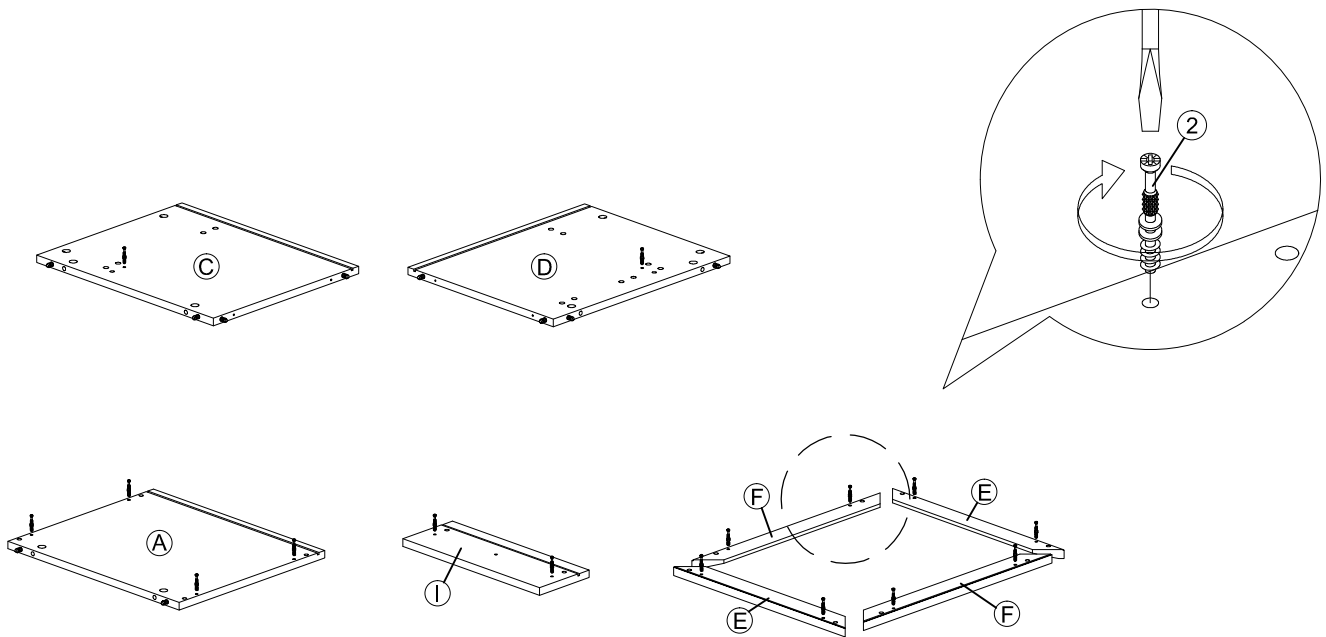
8		Hinges (012)	2Pcs
9		TP 10#x1/2" Screw	8Pcs
10		Wood Handle Ø15x20mm Handle Screw (M4 x 25mm)	2Sets
11		Drawer Slide 14" (350mm)	1Set
12		M5x8mm Screw (Euro Screw)	4Pcs
13		Wooden Leg H 114mm	4Pcs
14		JCBC W - M6 x 40mm	4Pcs
15		Allen Key	1Pc
16		M4x38mm Screw	8Pcs

STEP 1

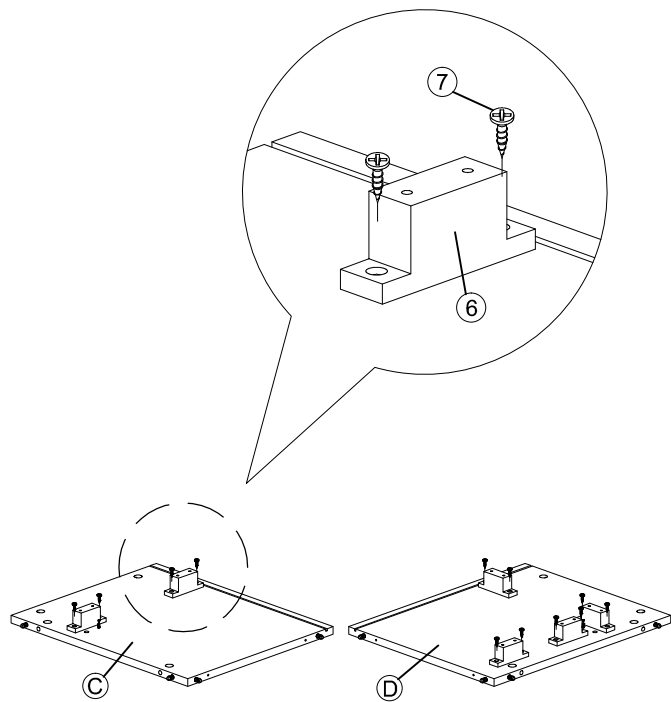


Assembly Instruction

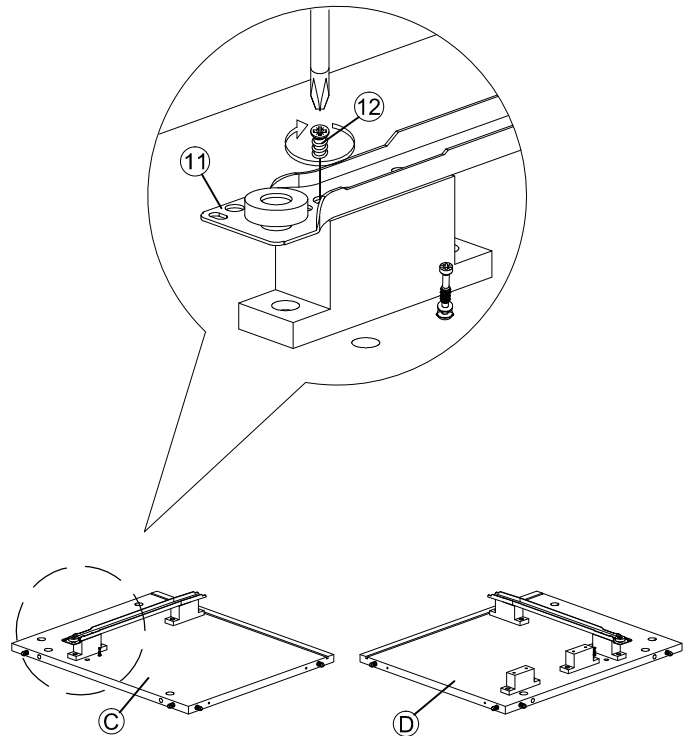
STEP 2



STEP 3

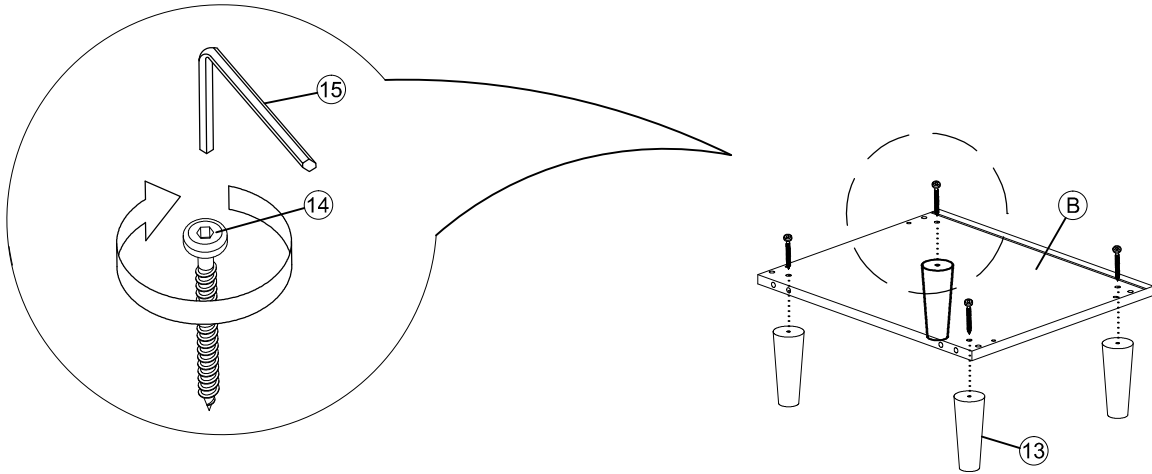


STEP 4

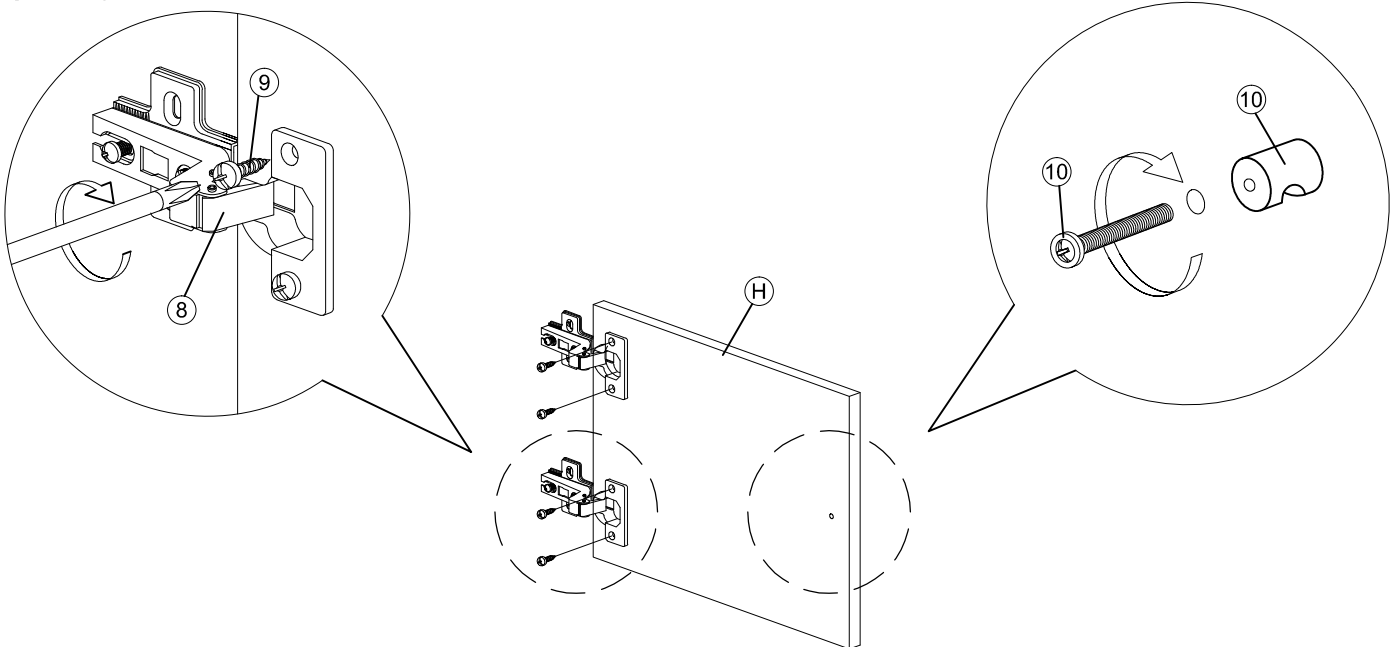


Assembly Instruction

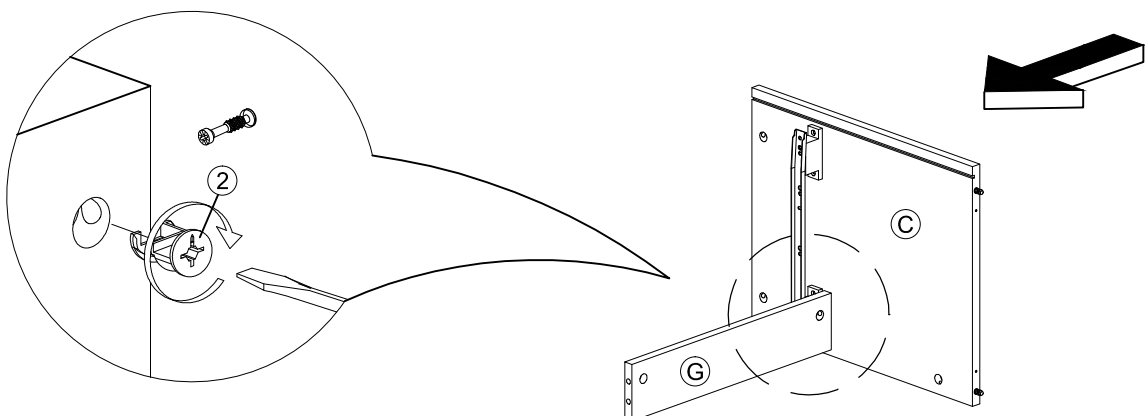
STEP 5



STEP 6

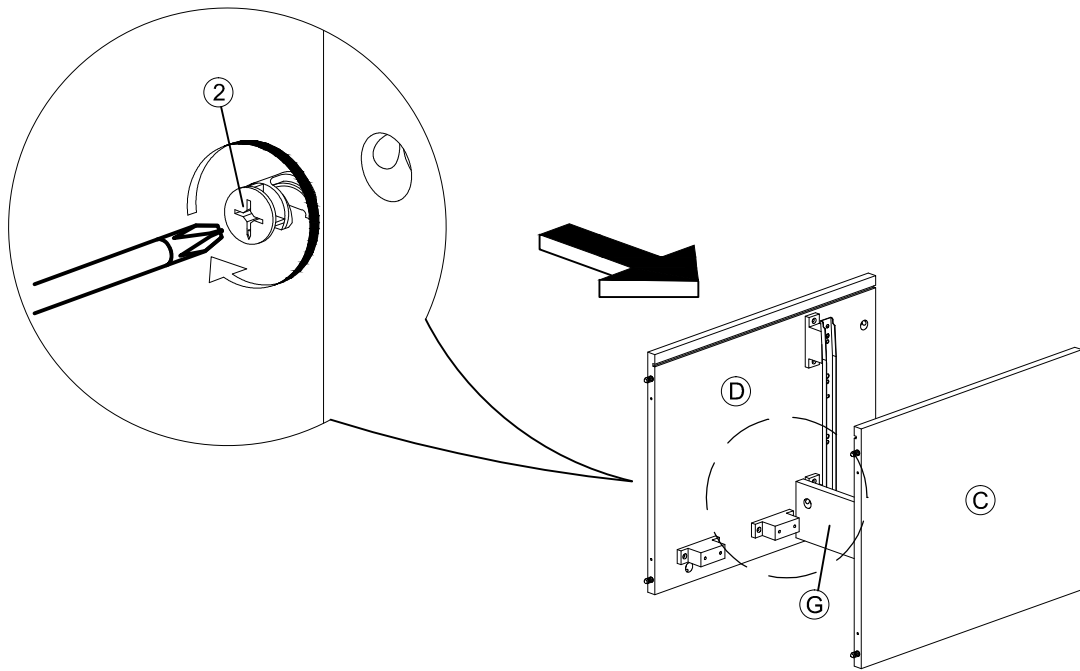


STEP 7

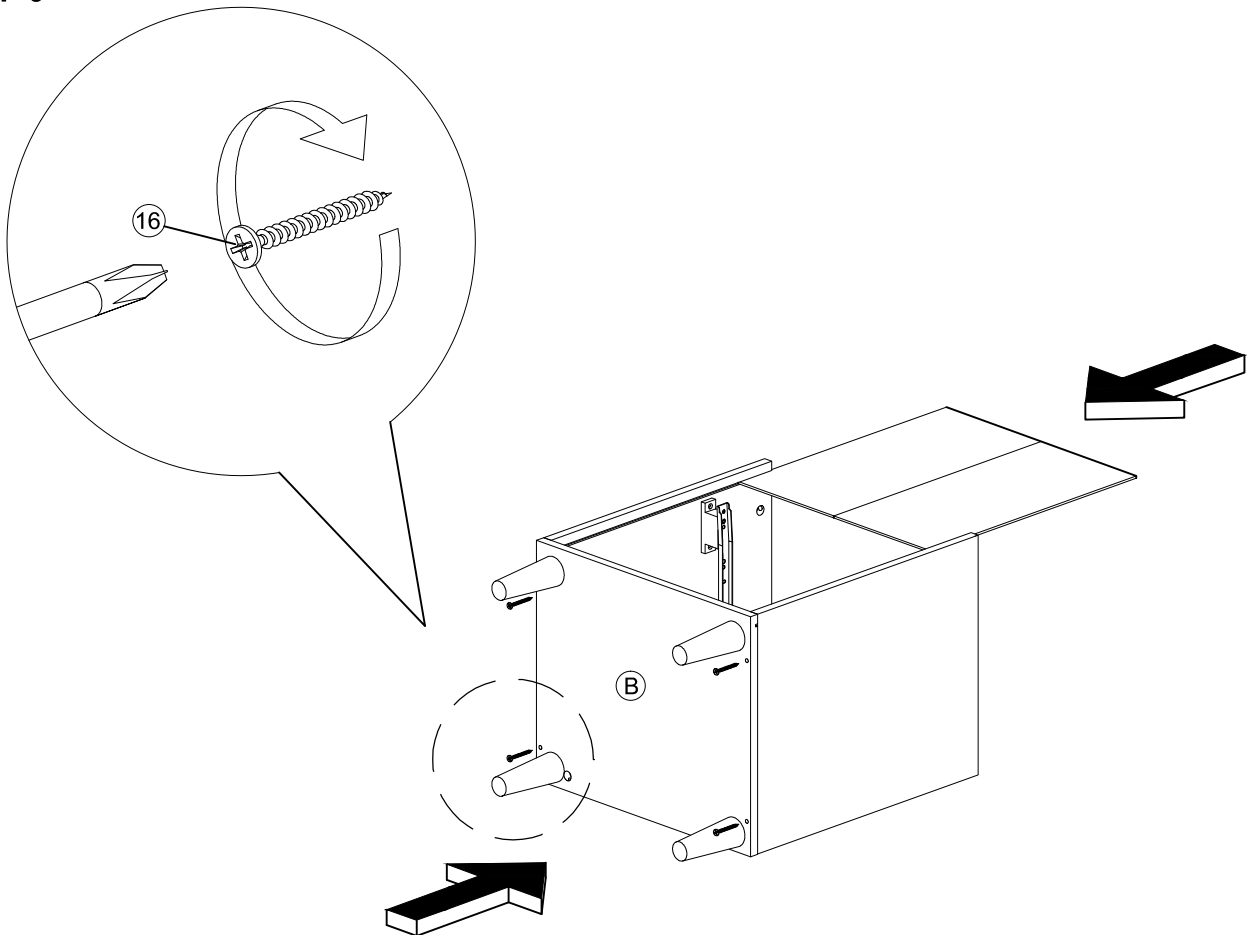


Assembly Instruction

STEP 8

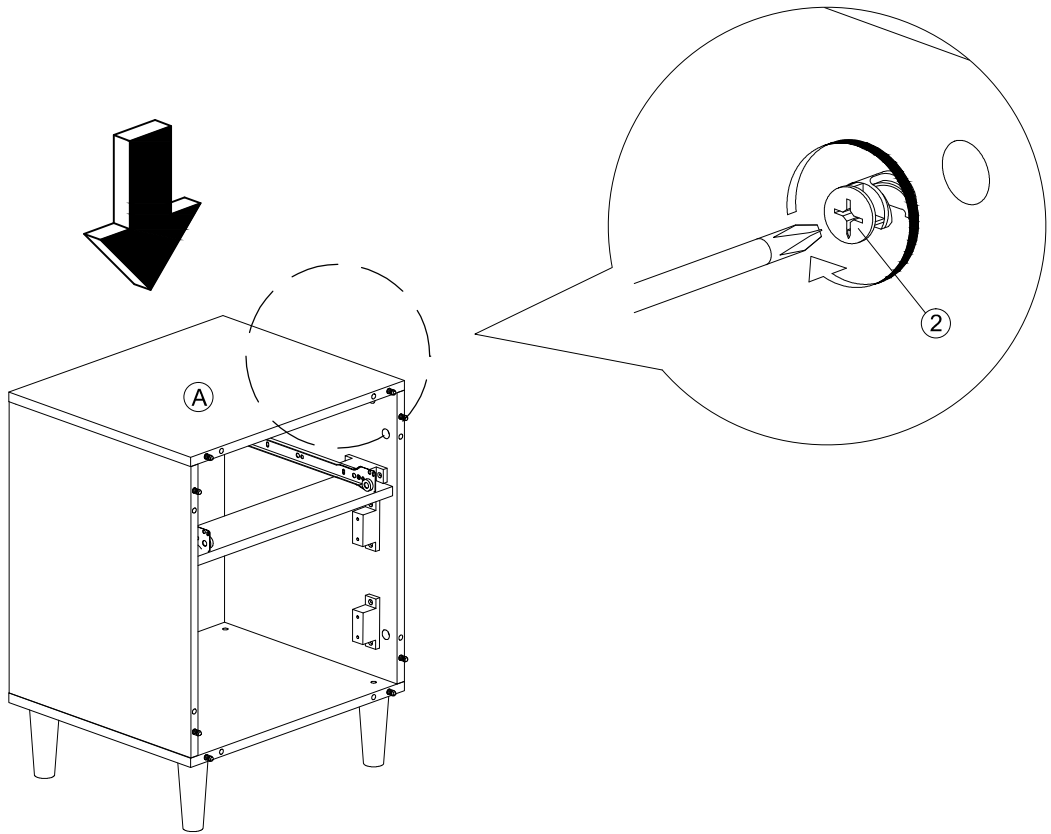


STEP 9

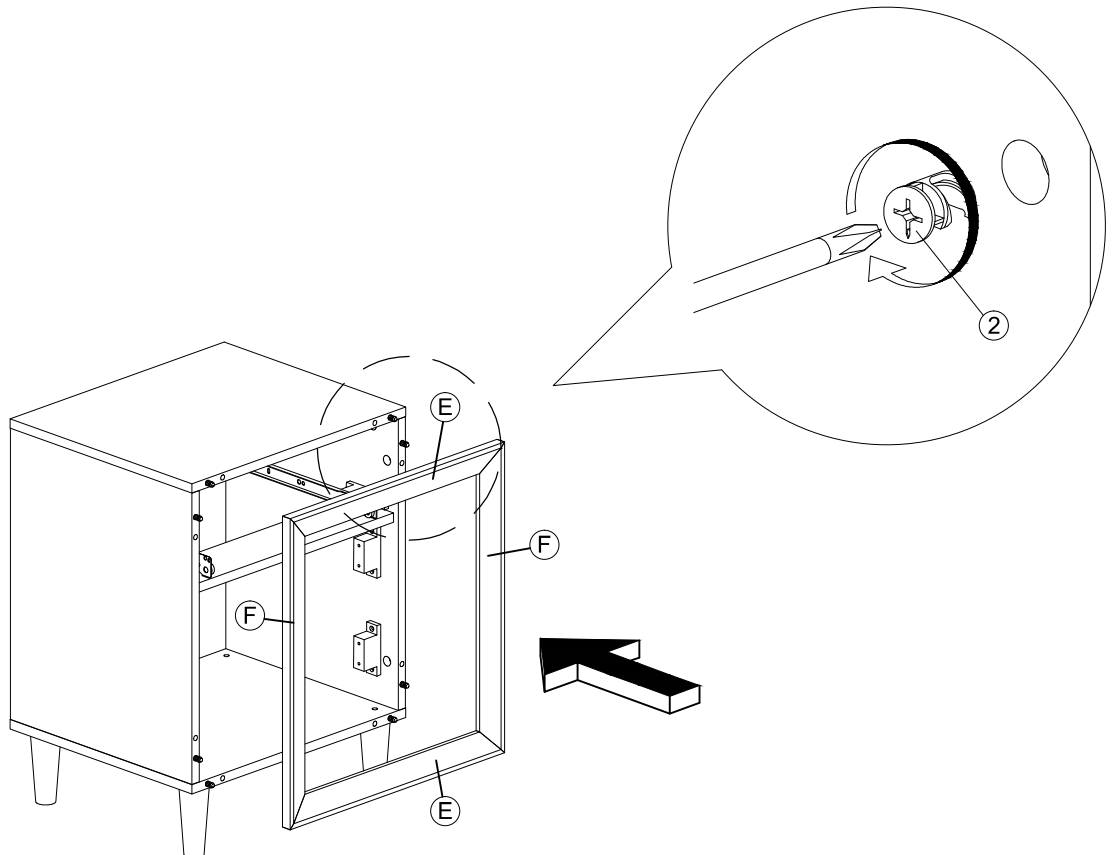


Assembly Instruction

STEP 10

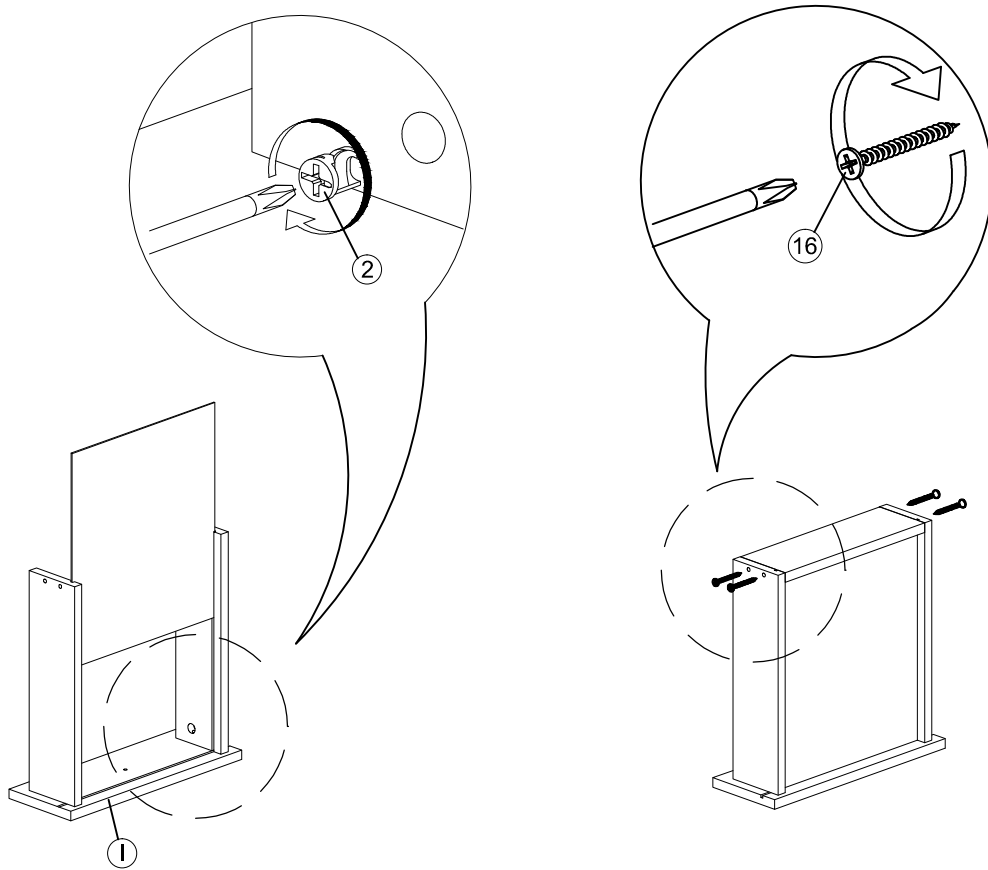


STEP 11

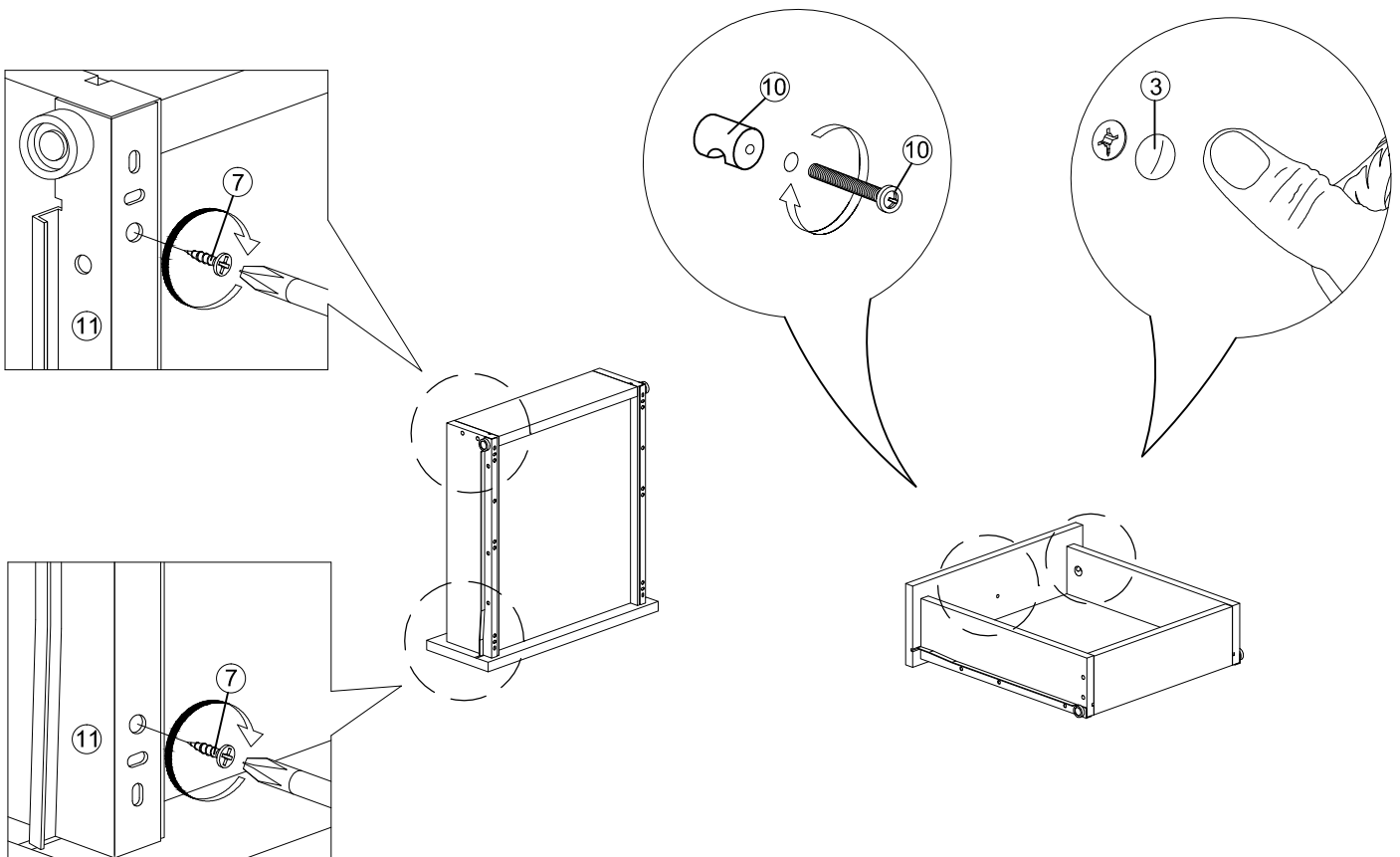


Assembly Instruction

STEP 12

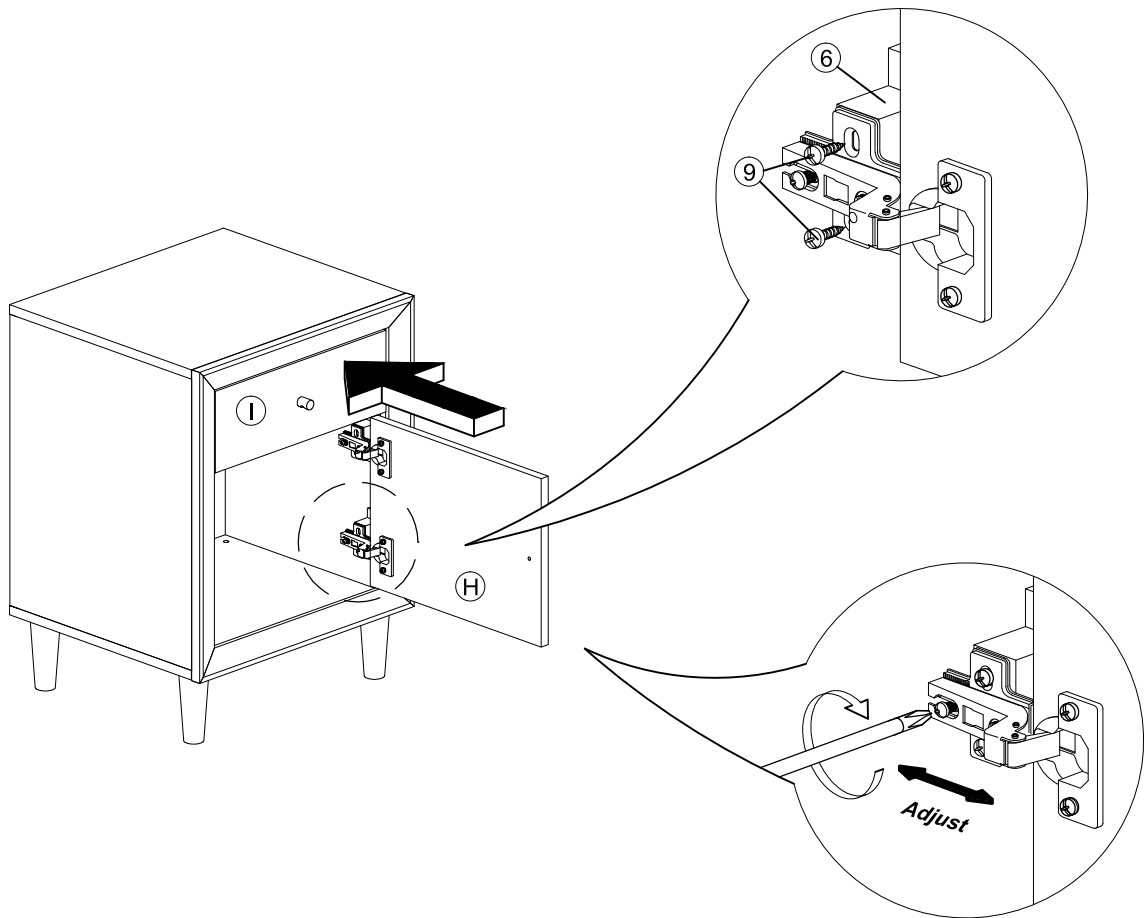


STEP 13



Assembly Instruction

STEP 14



STEP 15

