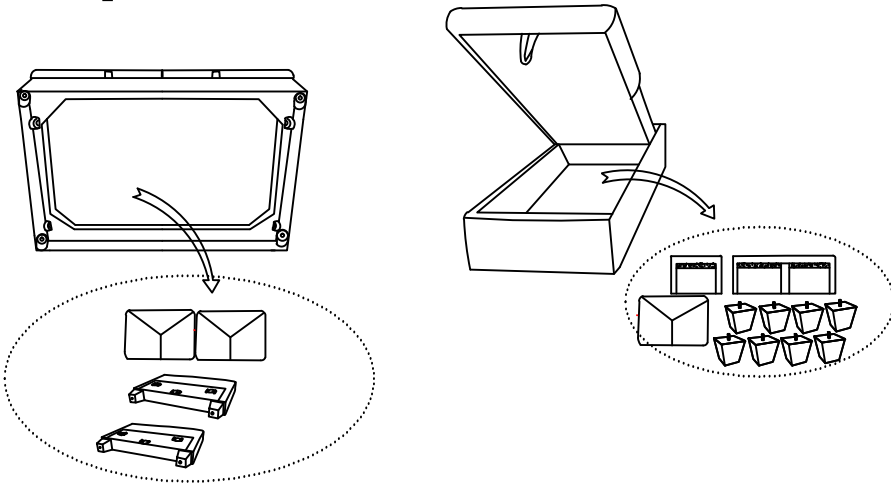
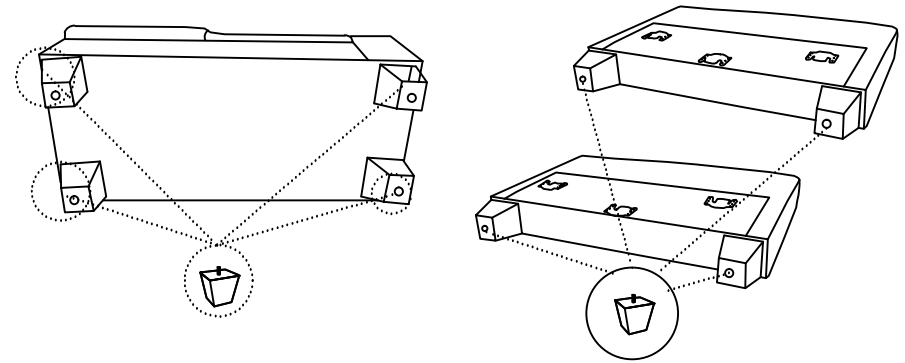


ASSEMBLY INSTRUCTIONS

step1

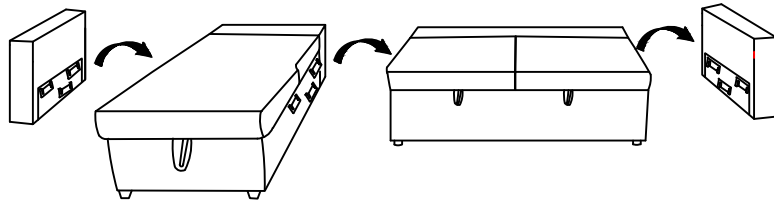


step2

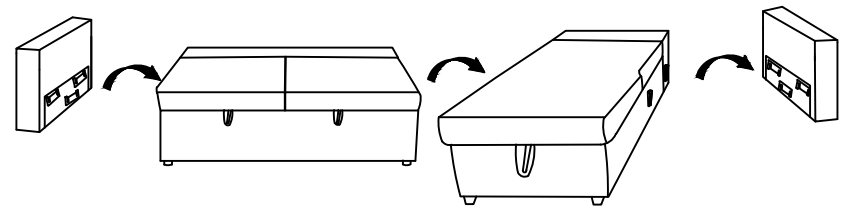


step3

Option A

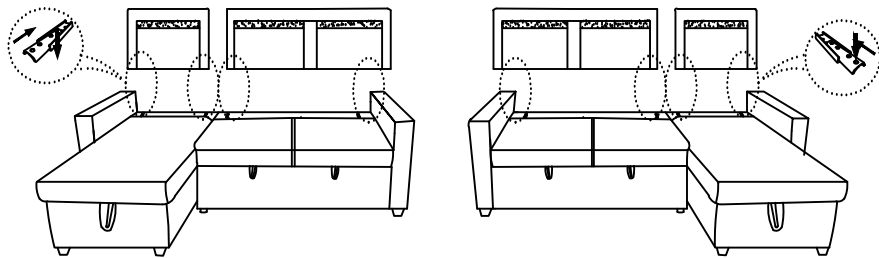


Option B

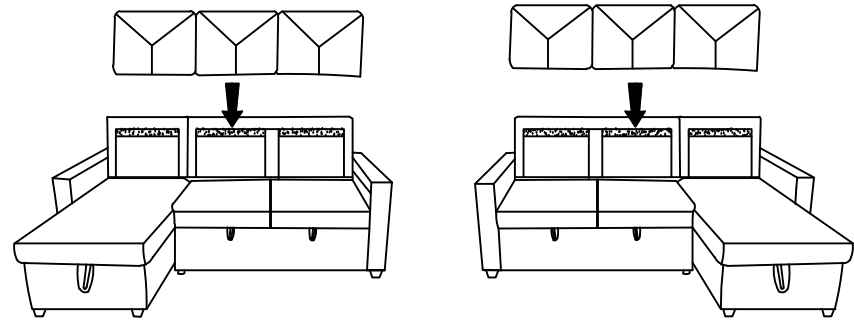


ASSEMBLY INSTRUCTIONS

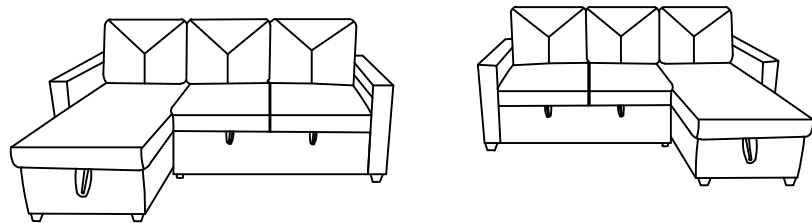
step4



step5



step6



step7

