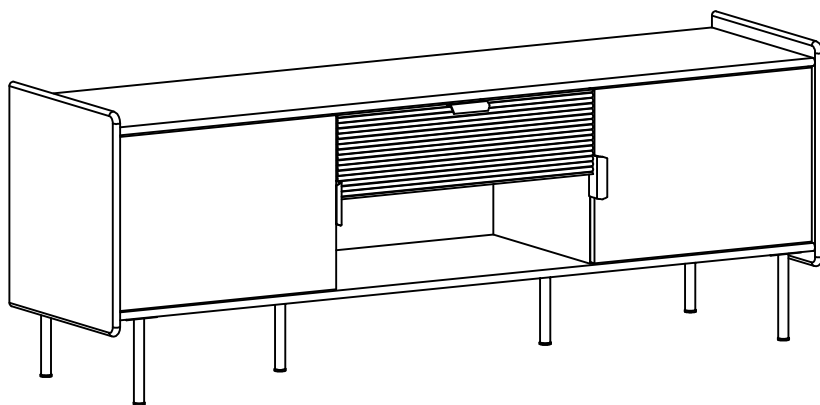
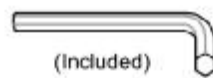


ASSEMBLY INSTRUCTIONS



Screwdriver
(Not included)



(Included)
Allen Wrench



2 - People



EASY —————> DIFFICULT

The Assembly Rating is a 5-point system showing the level of effort needed to assemble a specific product.



CHECK BEFORE STARTING

Are you missing anything?

Double-check all parts, hardware and accessories listed are all accounted for.

Check out our Quick Tips!

We recommend reviewing the pre-assembly handouts. Even experts need a refresher now and then!

Should we send any replacements?

Are there any irregularities or flaws in the parts? We can send replacements!

Prep Time!

Please review the assembly instructions and all diagrams prior to assembling.

PRE ASSEMBLY INTRODUCTION

We understand building ready-to-assemble furniture can be a challenging experience for some. To help avoid confusion, we have provided some helpful tips that may speed up the process.



Teamwork

ALWAYS have at least two people to help with transporting and assembling the product to avoid potential injury and/or damage.



Suitable Location

Assembling near the area of the intended location is highly recommended.



Sufficient Space

Make sure you have enough space to move around during the assembly.



Avoid Scratches

Use cardboard, blankets or a carpeted area while assembling furniture to prevent to prevent scratches and damages.



Flat Surface

Make sure the furniture rests on a flat and level surface with each leg evenly touching the floor.

ASSEMBLY AND CARE ADVICE



FAILURE TO FOLLOW THE GUIDELINES BELOW MAY RESULT IN INJURY AND/OR PROPERTY DAMAGE.



Position each part correctly and insert screws or bolts into their respective holes.



Turn clockwise to tighten and only tighten when step is completed or when instructed to do so.



Use the appropriate hand tools or power tools for assembly. Select steps, such as tightening screws and/or bolts, may require hand tools to avoid causing damage during assembly.



Save the instructions and store any supplied tools for later maintenance.



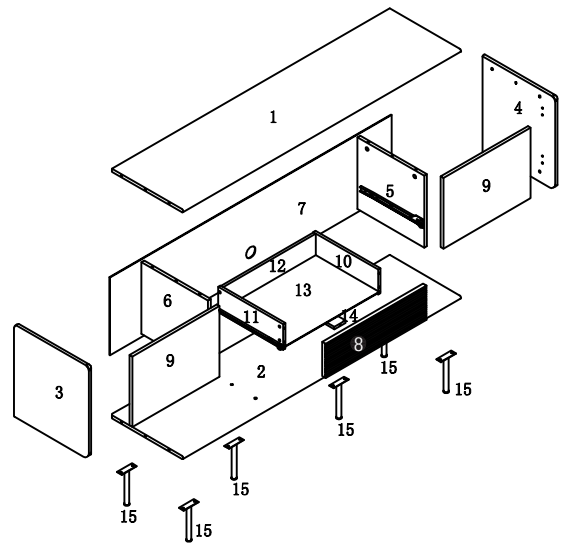
After two weeks, check and tighten any loose hardware and repeat again every six months thereafter.

IT IS THE USER'S RESPONSIBILITY TO MAINTAIN THE FURNITURE. THE HARDWARE MAY LOOSEN OVER TIME AND MAY CAUSE THE FURNITURE TO BE WOBBLY AND UNABLE TO SUPPORT ITS INTENDED WEIGHT CAPACITY. THIS MAY LEAD TO COLLAPSE AND MAY CAUSE SERIOUS INJURY.

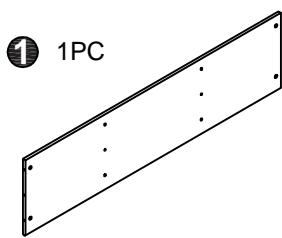
TV STAND



- Please keep instructions for future reference.
- Check the quantity and irregularity of parts and hardware before you start.

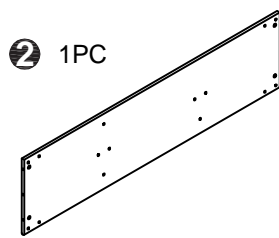


PARTS



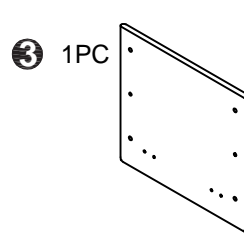
① 1PC

TOP



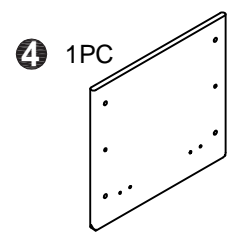
② 1PC

BOTTOM PANEL



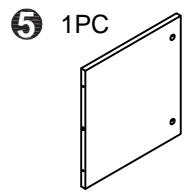
③ 1PC

LEFT SIDE PANEL



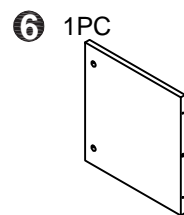
④ 1PC

RIGHT SIDE PANEL



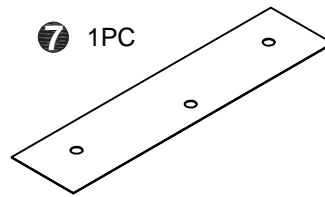
⑤ 1PC

RIGHT DIVIDER PANEL



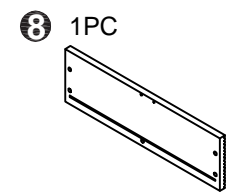
⑥ 1PC

LEFT DIVIDER PANEL



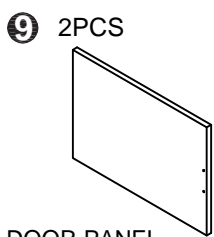
⑦ 1PC

BACK PANEL



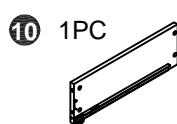
⑧ 1PC

DRAWER FRONT PANEL



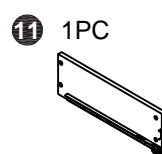
⑨ 2PCS

DOOR PANEL



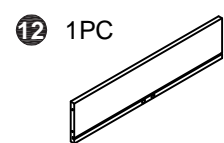
⑩ 1PC

DRAWER RIGHT SIDE PANEL



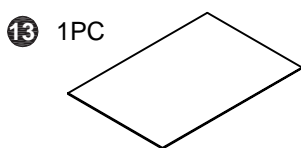
⑪ 1PC

DRAWER LEFT SIDE PANEL



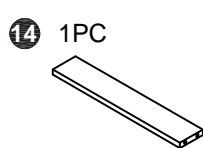
⑫ 1PC

DRAWER BACK PANEL



⑬ 1PC

DRAWER BOTTOM PANEL



⑭ 1PC

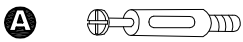
DRAWER BOTTOM SUPPORT



⑮ 6PCS

LEG

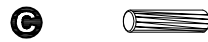
HARDWARE



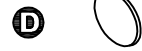
A
CAMBOLT
L29 12PCS



B
CAMLOCK L
Ø15 12PCS



C
DOWEL
Ø8X25 8PCS



D
STICKER
Ø22 12PCS



E
SMALL SCREW
Ø4X35 4PCS



F
NAIL
16PCS



G
FLATHEAD SCREW
Ø6X12 12PCS



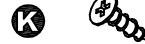
H
SMALL SCREW
Ø4X30 6PCS



I
SMALL CAMBOLT
L20 5PCS



J
SMALL CAMLOCK L
Ø12 5PCS



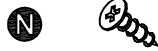
K
SMALL SCREW
Ø3.5x12 6PCS



L
HANDEL
#64 3PCS



M
HINGE
301C 4PCS

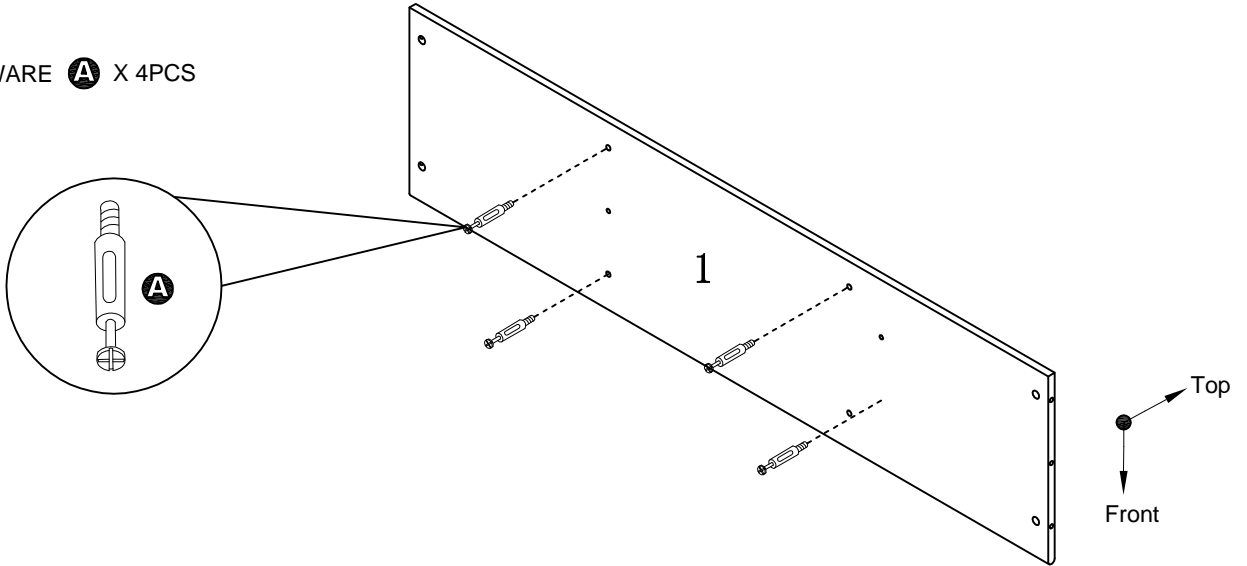


N
SMALL SCREW
Ø4X16 24PCS

ASSEMBLY INSTRUCTIONS

1

HARDWARE **A** X 4PCS

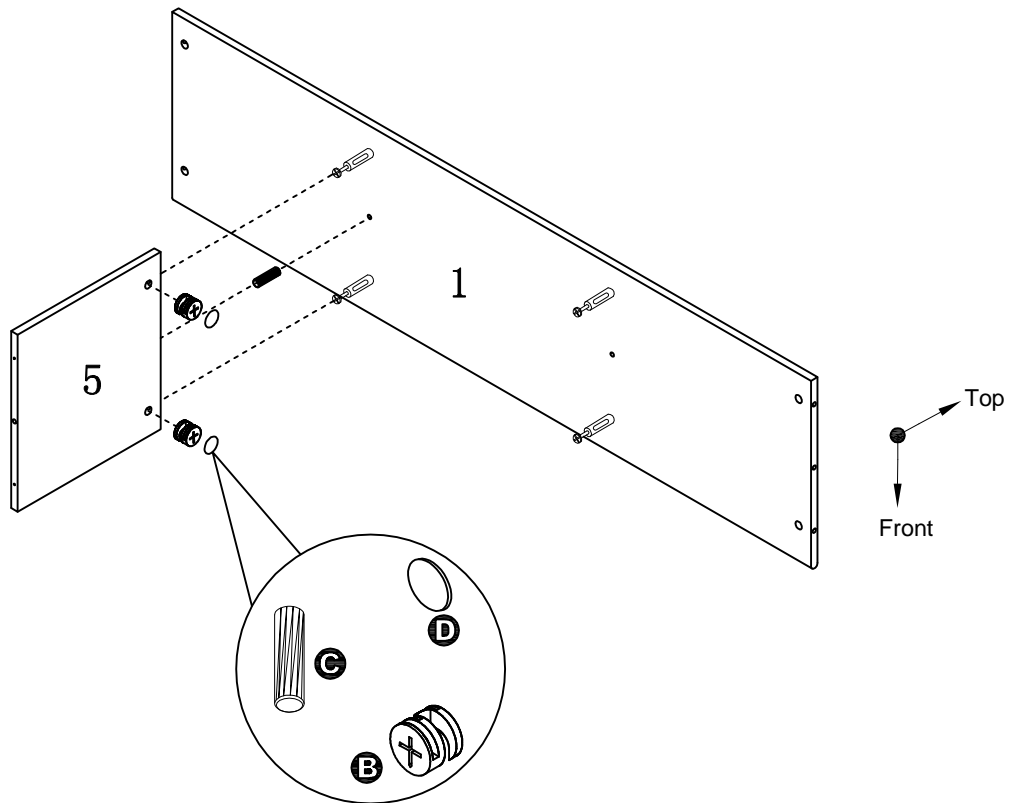


2

HARDWARE **B** X 2PCS

HARDWARE **C** X 1PC

HARDWARE **D** X 2PCS

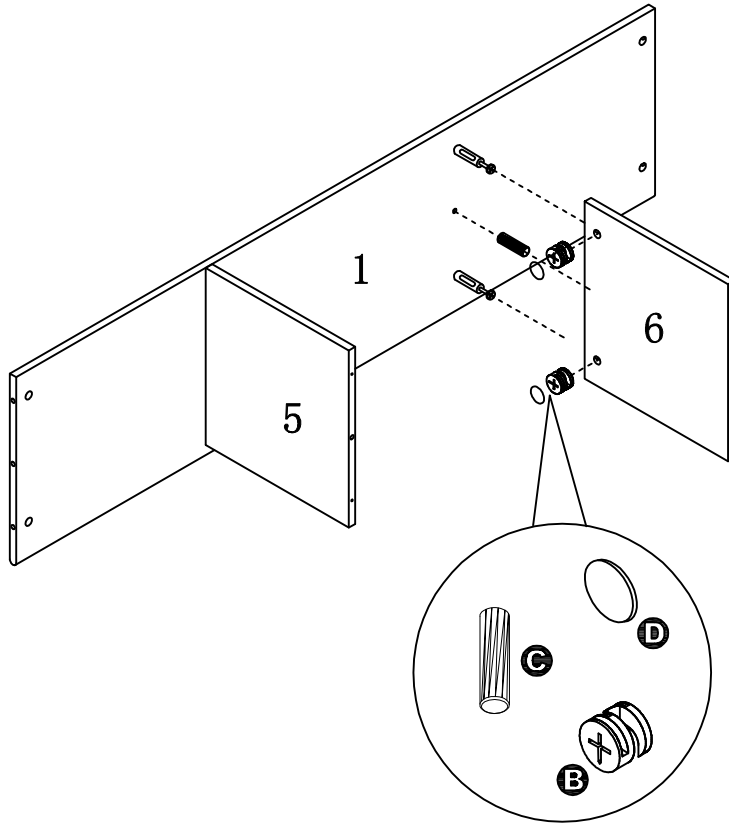


ASSEMBLY INSTRUCTIONS

3

- HARDWARE **B** X 2PCS
- HARDWARE **C** X 1PC
- HARDWARE **D** X 2PCS

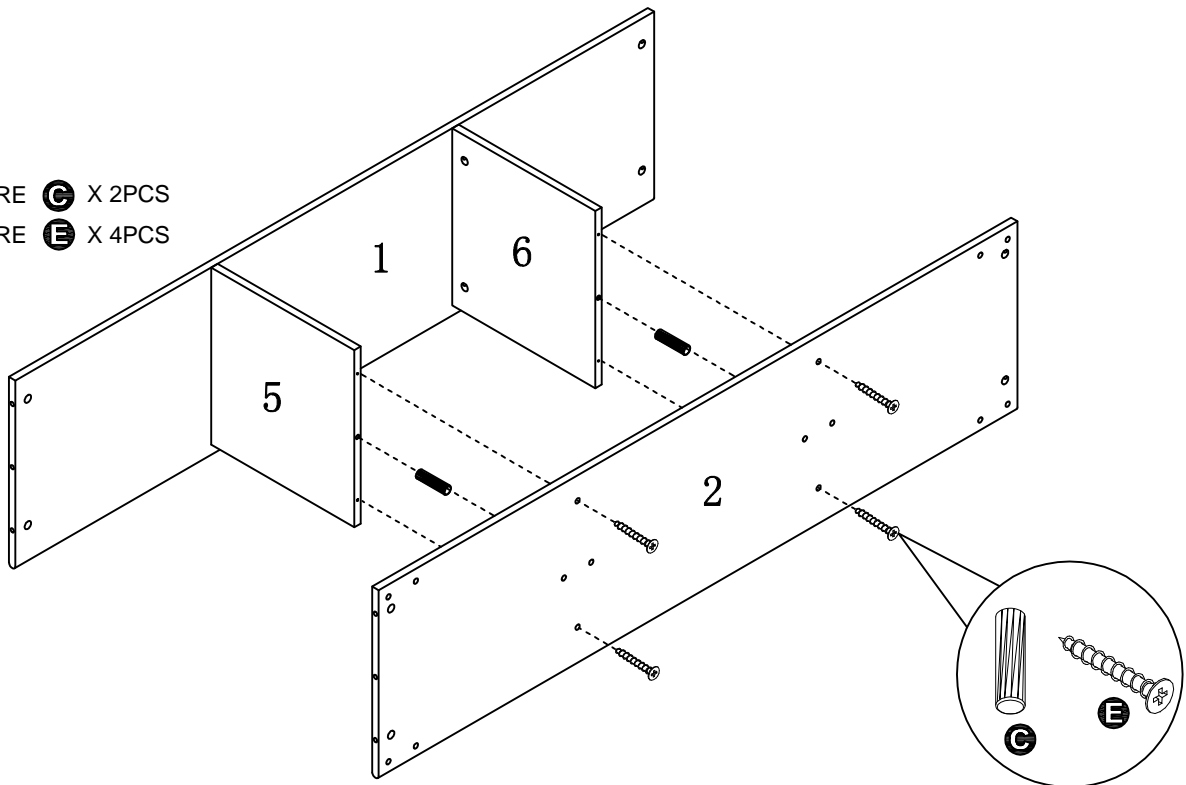
Top
Front



4

- HARDWARE **G** X 2PCS
- HARDWARE **E** X 4PCS

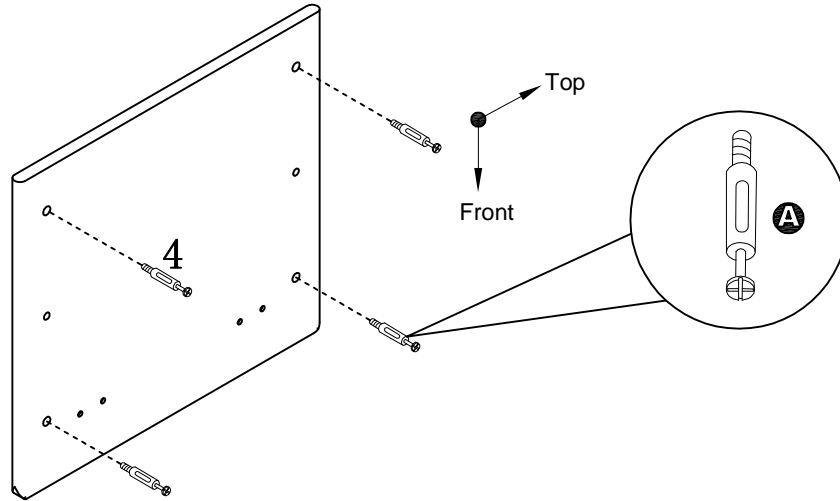
Top
Front



ASSEMBLY INSTRUCTIONS

5

HARDWARE **A** X 4PCS

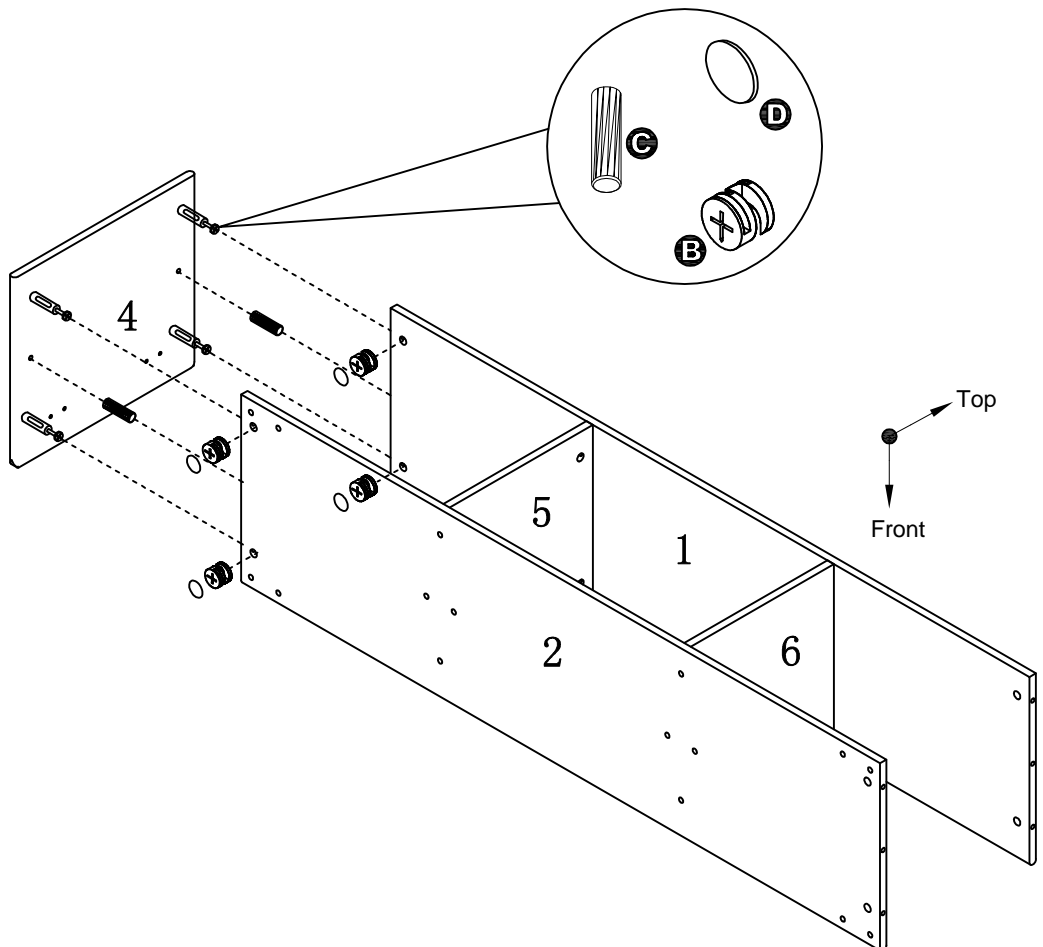


6

HARDWARE **B** X 4PCS

HARDWARE **C** X 2PCS

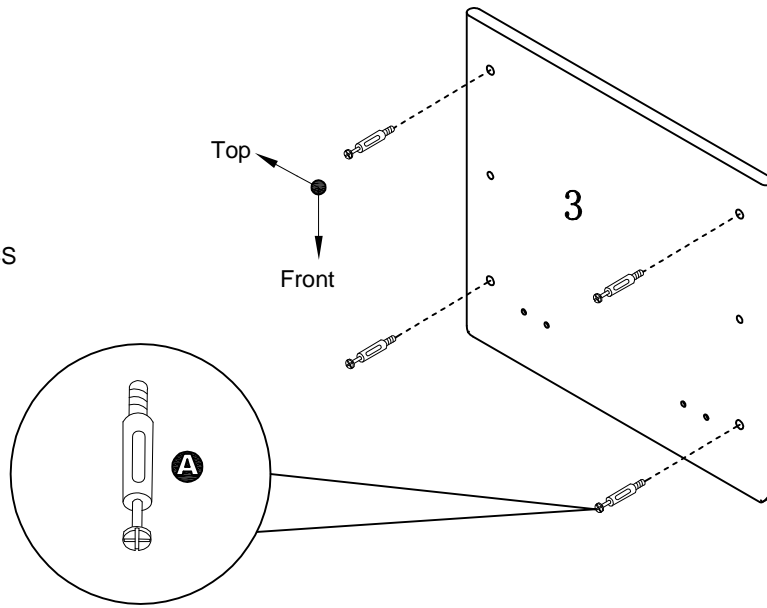
HARDWARE **D** X 4PCS



ASSEMBLY INSTRUCTIONS

7

HARDWARE **A** X 4PCS

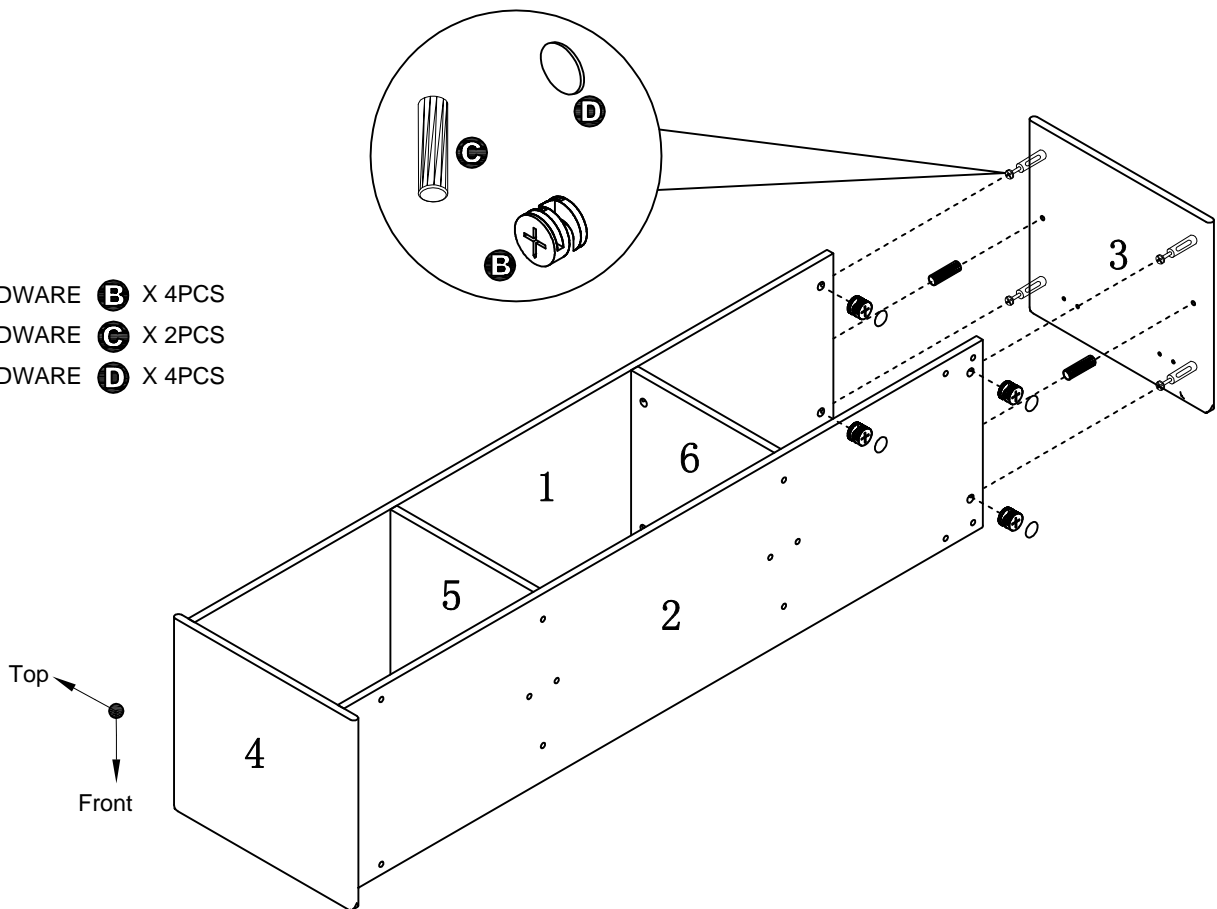


8

HARDWARE **B** X 4PCS

HARDWARE **C** X 2PCS

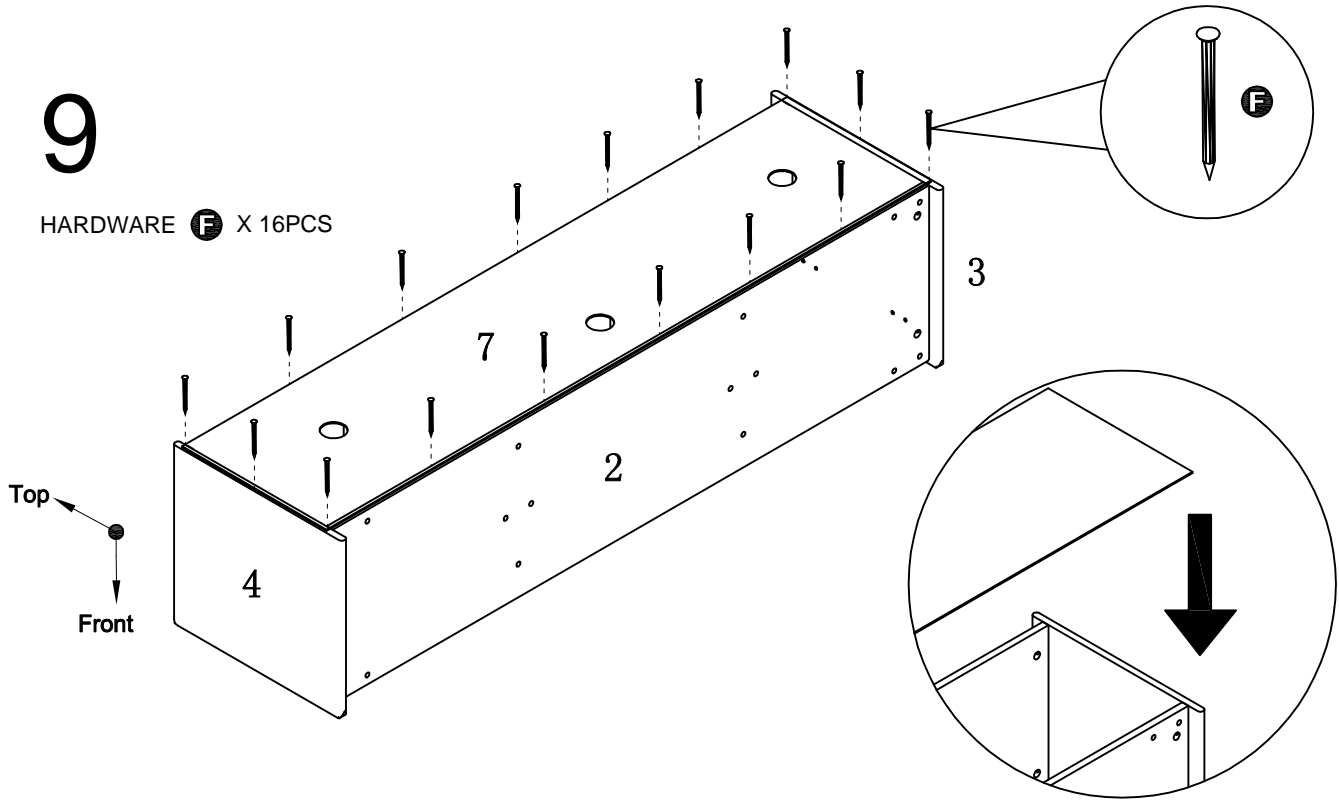
HARDWARE **D** X 4PCS



ASSEMBLY INSTRUCTIONS

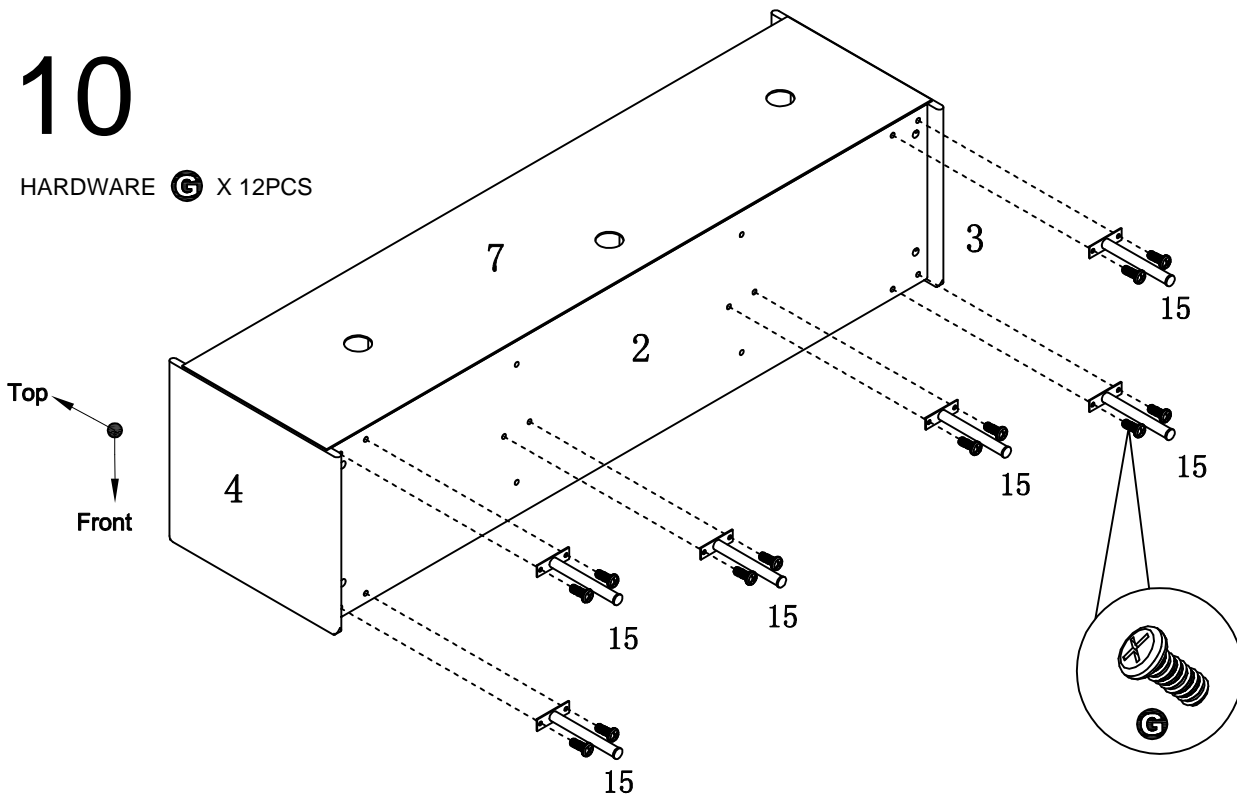
9

HARDWARE **F** X 16PCS



10

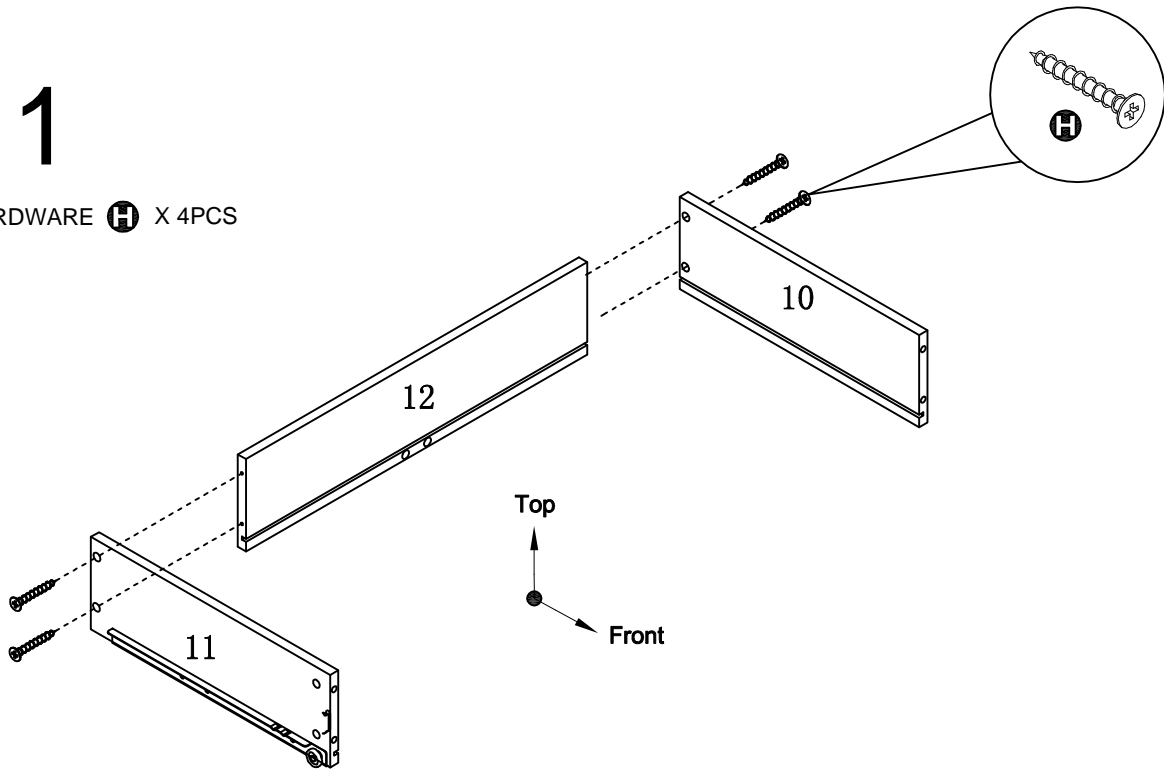
HARDWARE **G** X 12PCS



ASSEMBLY INSTRUCTIONS

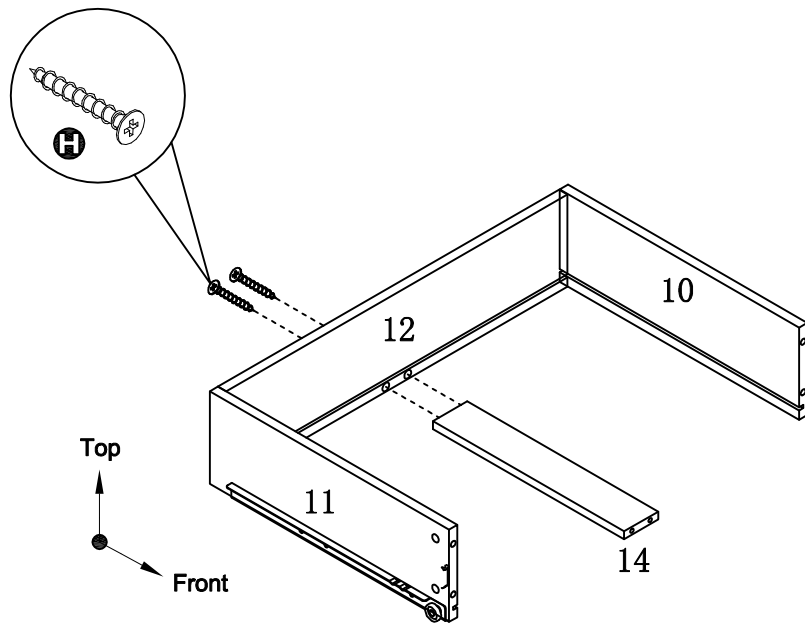
11

HARDWARE  X 4PCS



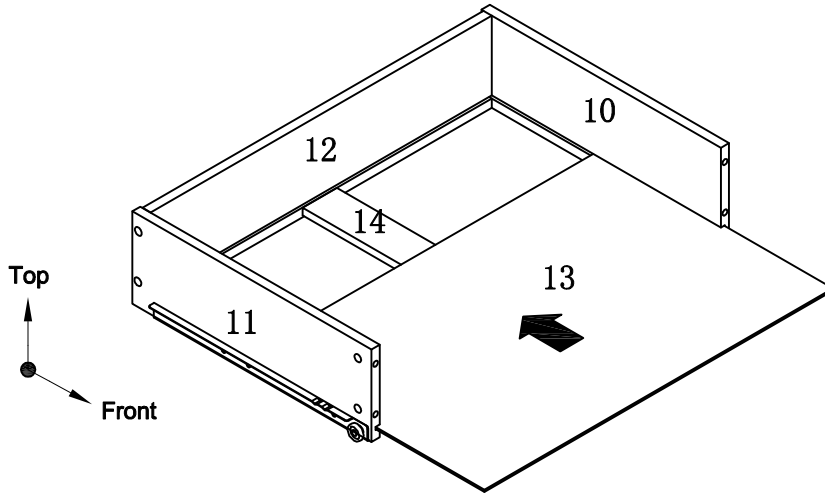
12

HARDWARE  X 2PCS



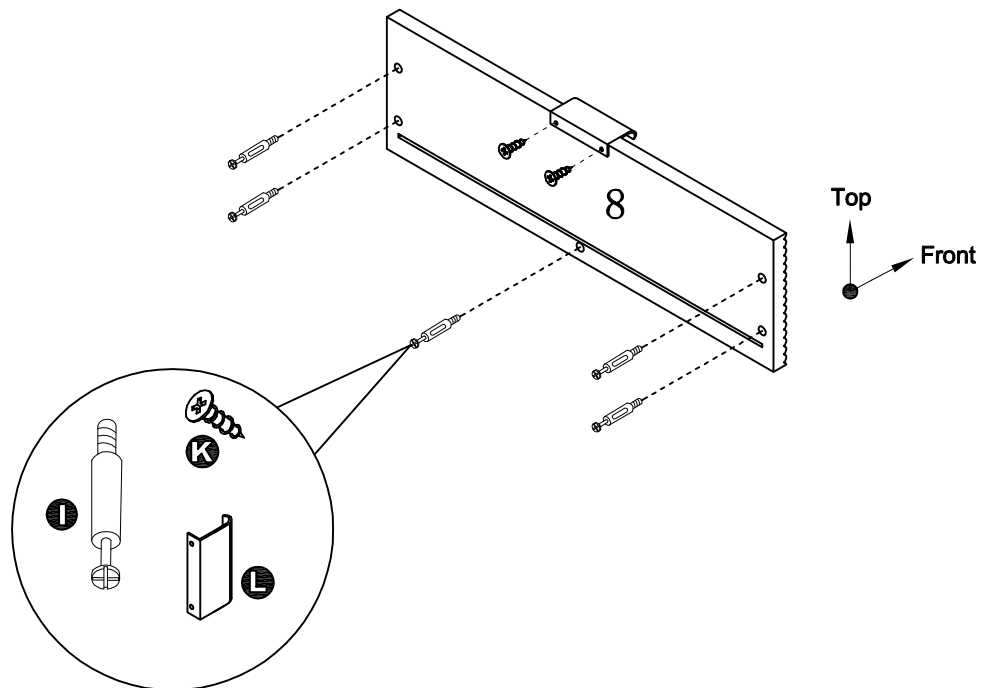
ASSEMBLY INSTRUCTIONS

13



14

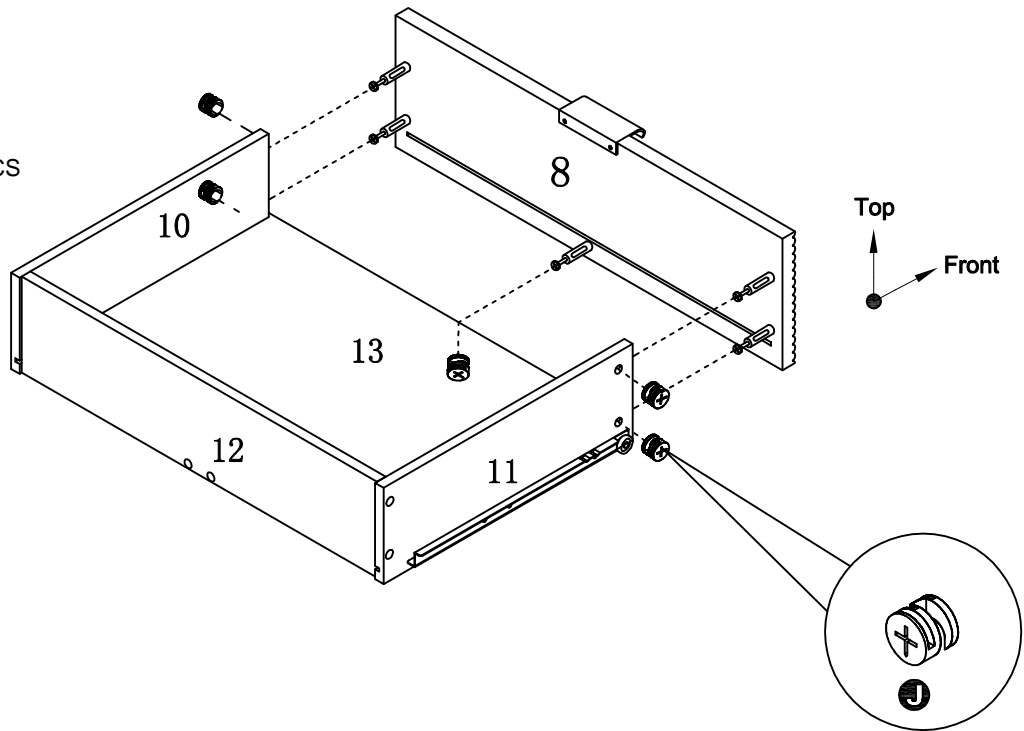
- HARDWARE **I** X 5PCS
- HARDWARE **K** X 2PCS
- HARDWARE **L** X 1PC



ASSEMBLY INSTRUCTIONS

15

HARDWARE  X 5PCS



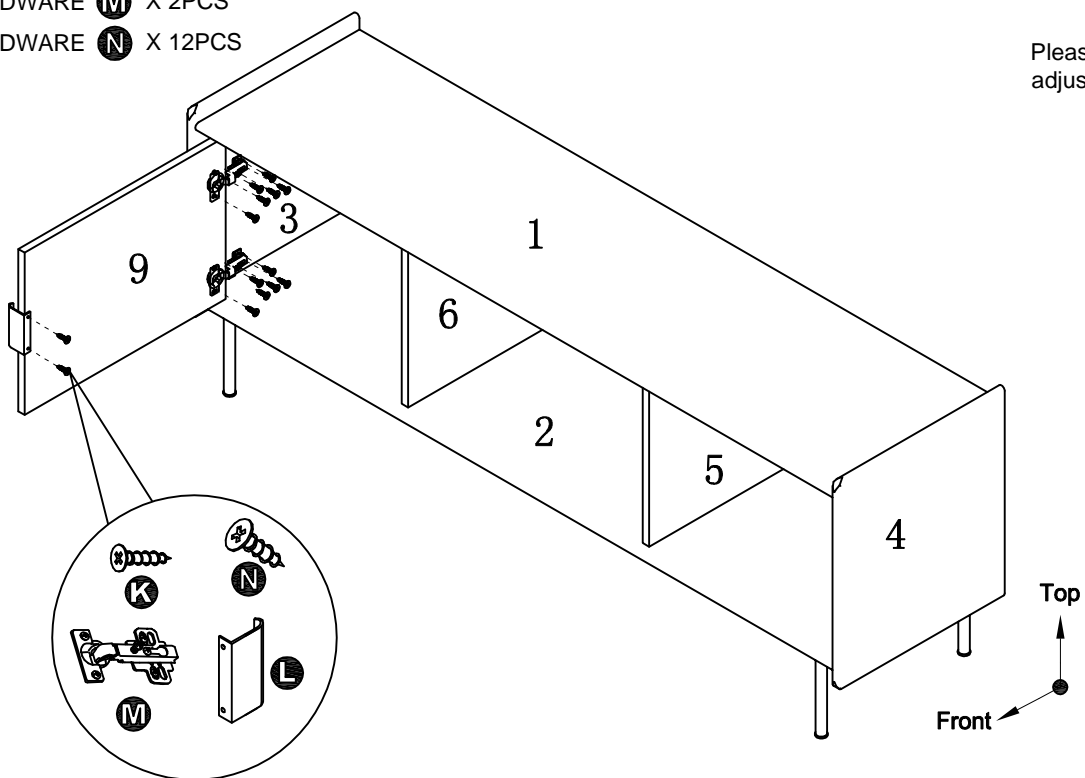
16

HARDWARE  X 2PCS

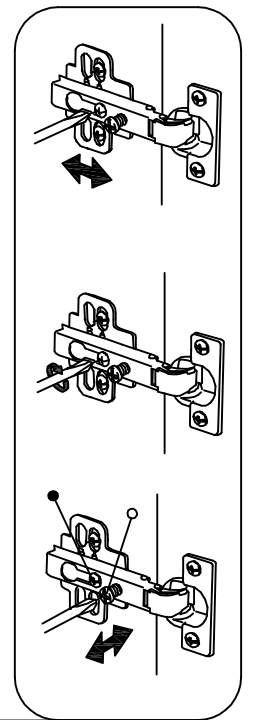
HARDWARE  X 1PC

HARDWARE  X 2PCS

HARDWARE  X 12PCS



Please refer page 15 on hing adjustment guide.



ASSEMBLY INSTRUCTIONS

HOW TO ADJUST HINGES

Gradually adjust the screws and close the door to review adjustment each time.

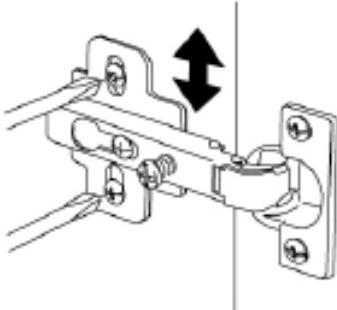


Fig. 1

If door is too high or too low:

Loosen top and bottom screws, as shown in Fig.1, for all hinges on this door panel. Take care to support door. Adjust door up or down as necessary, hold in place, and tighten screws again.

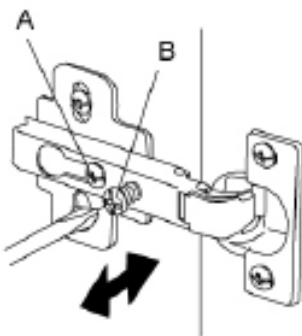


Fig. 2

If doors have a gap in the middle or are hitting each other:

Loosen screw A and B, as shown in Fig. 2, for all hinges on this door panel. Take care to support door. Adjust door to the left or right as necessary, hold in place and tighten screw A, then B. If the door is not hanging straight, adjust the top and bottom hinges separately by tightening/loosening screw B, to correct the alignment of that corner. Turn screw B clockwise to move door toward frame. Turn screw B counterclockwise to move door away from frame.

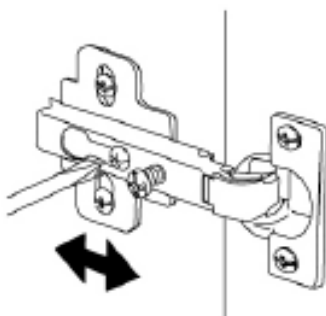


Fig. 3

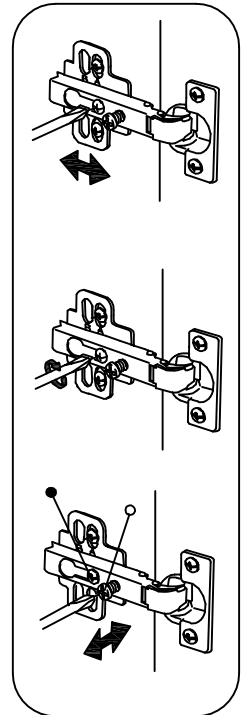
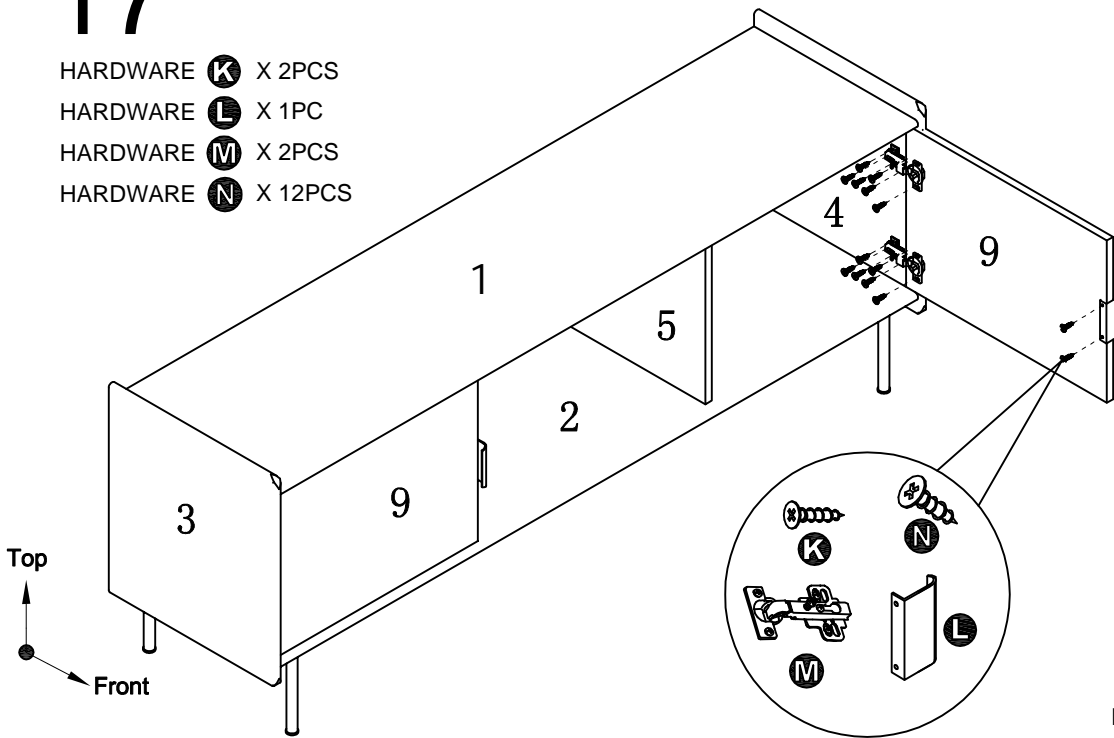
If door is too close or far from frame:

Loosen screw, as shown in Fig. 3, for all hinges on this door panel. Take care to support door. Adjust door towards or away from frame as necessary, hold in place and tighten screws again.

ASSEMBLY INSTRUCTIONS

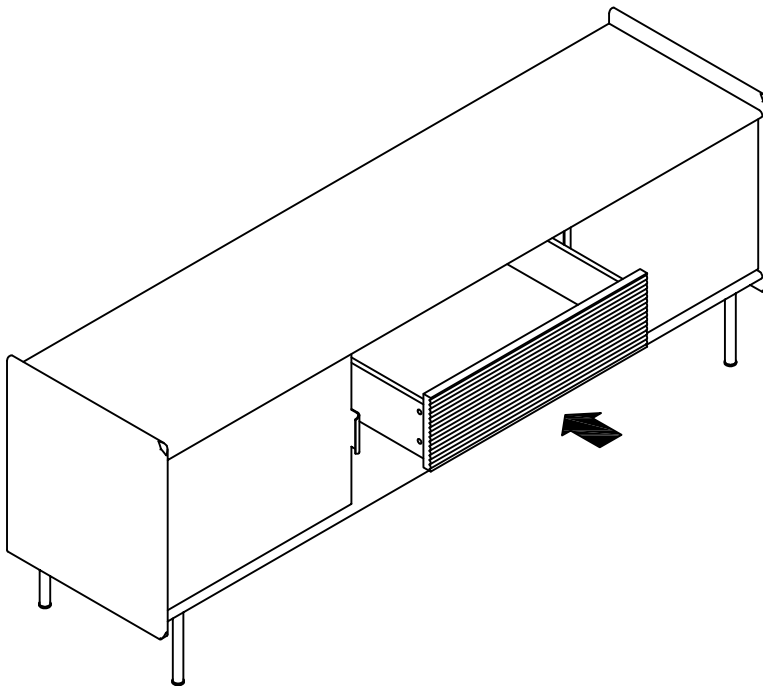
17

- HARDWARE **K** X 2PCS
- HARDWARE **L** X 1PC
- HARDWARE **M** X 2PCS
- HARDWARE **N** X 12PCS



Please refer page 15 on hinge adjustment guide.

18



ASSEMBLY COMPLETED



Please ensure the furniture rests on an even and flat surface. If the product wobbles or feels loose, double-check all bolts and/or screws are properly tightened and secured.



Keep this handy!

Please retain this instruction manual and any order-related information for future reference.



Lift, don't drag!

To avoid damage to product please always LIFT the product when transporting or adjusting the placement.

This product is intended for RESIDENTIAL USE ONLY and not for commercial use.