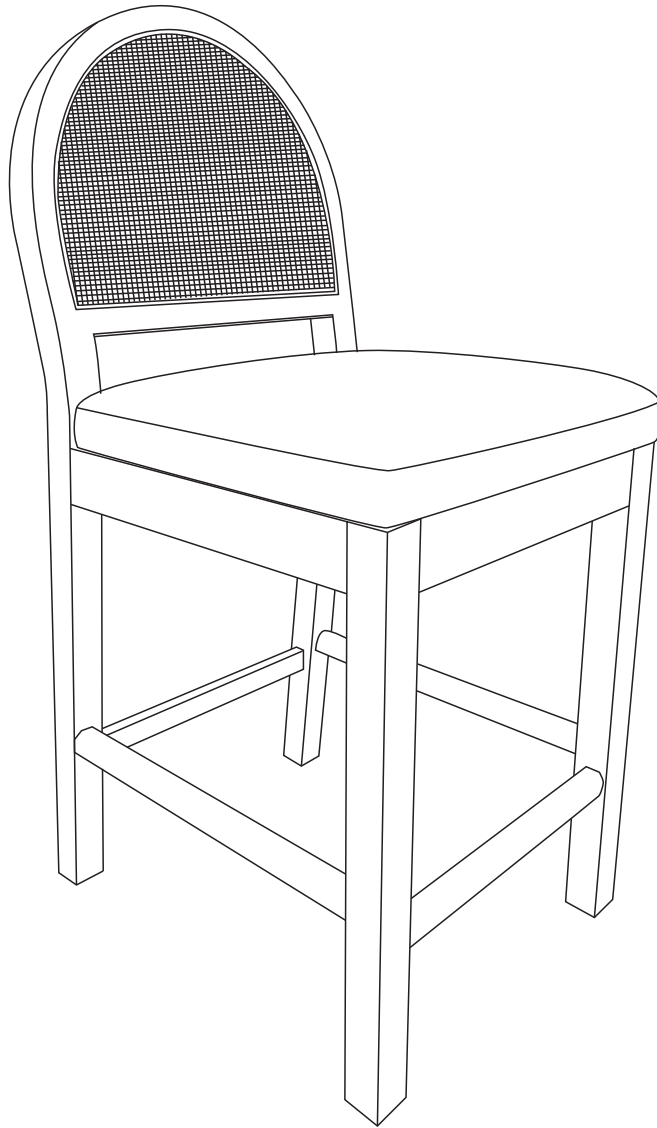


# INSTALLATION MANUAL



## Customer Service

### Missing Parts:

If you find any parts missing from your product, please contact us immediately. We will respond within 24 hours and arrange to send you the missing parts as soon as possible.

### Damaged Parts:

If any parts of your product are damaged upon arrival, please provide us with the specific part code(s) of the damaged item(s). Once we receive this information, we will promptly arrange for replacements to be sent to you.

### Self-Purchased Parts:

If you have already purchased the missing or damaged parts on your own, please provide proof of payment, and we will process a partial refund for you.

### Contact Information:

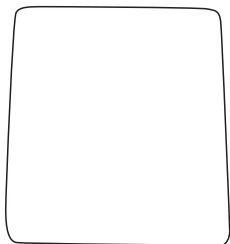
Email: [sthouyn@outlook.com](mailto:sthouyn@outlook.com)

Phone Message: 1-307-243-9358

We are committed to providing you with the best service to ensure a hassle-free experience. Your satisfaction is our top priority!

1

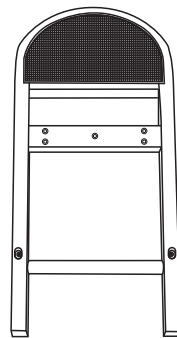
CUSHION



x1

2

BACKREST



x1

3

FRONT LEFT FOOT



x1

4

FRONT RIGHT FOOT



x1

5

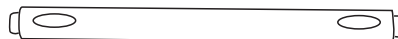
SIDE TO SIDE



x2


6

FRONT CROSS MEMBER



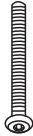
x1

**A** **SCREW**



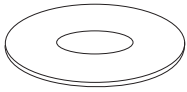
M8\*40MM x9

**B** **SCREW**




M6\*40MM x6

**C** **SCREW WASHER**




x9

**D** **WRENCH**



M8 x1

**E** **WRENCH**




M6 x1

**F** **SCREW WASHER**

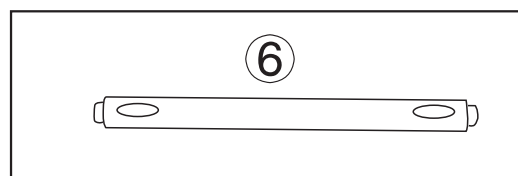
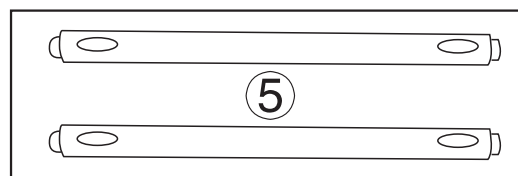
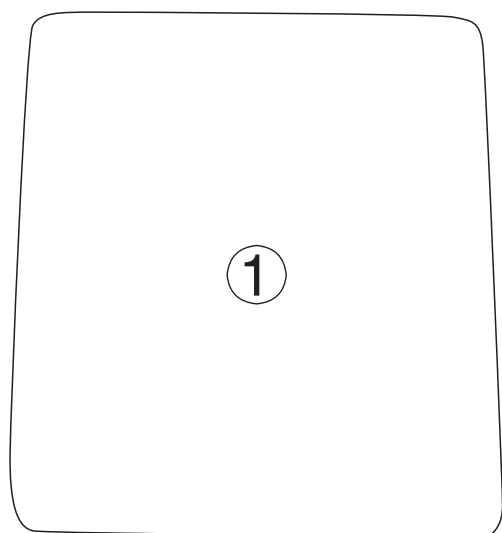
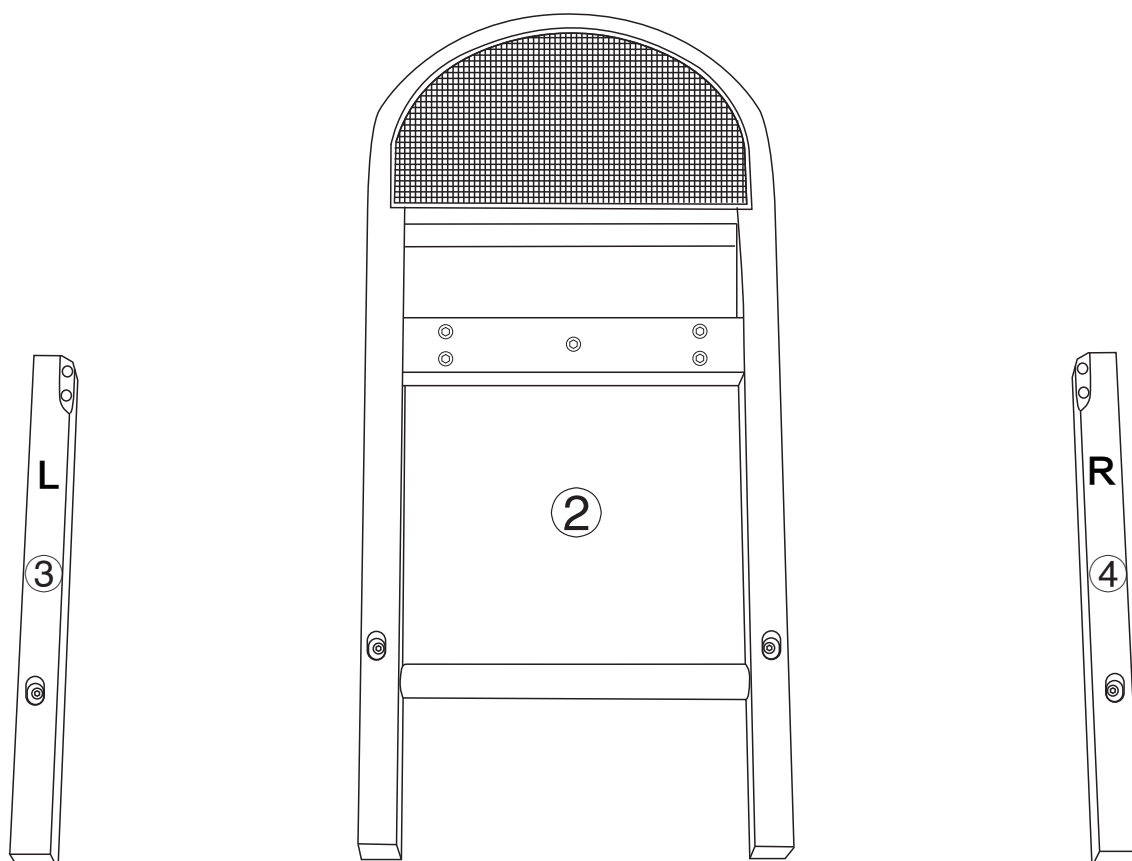


x6

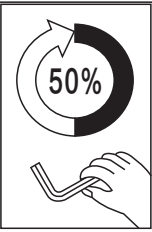
**G** **FOOT SPIKE**



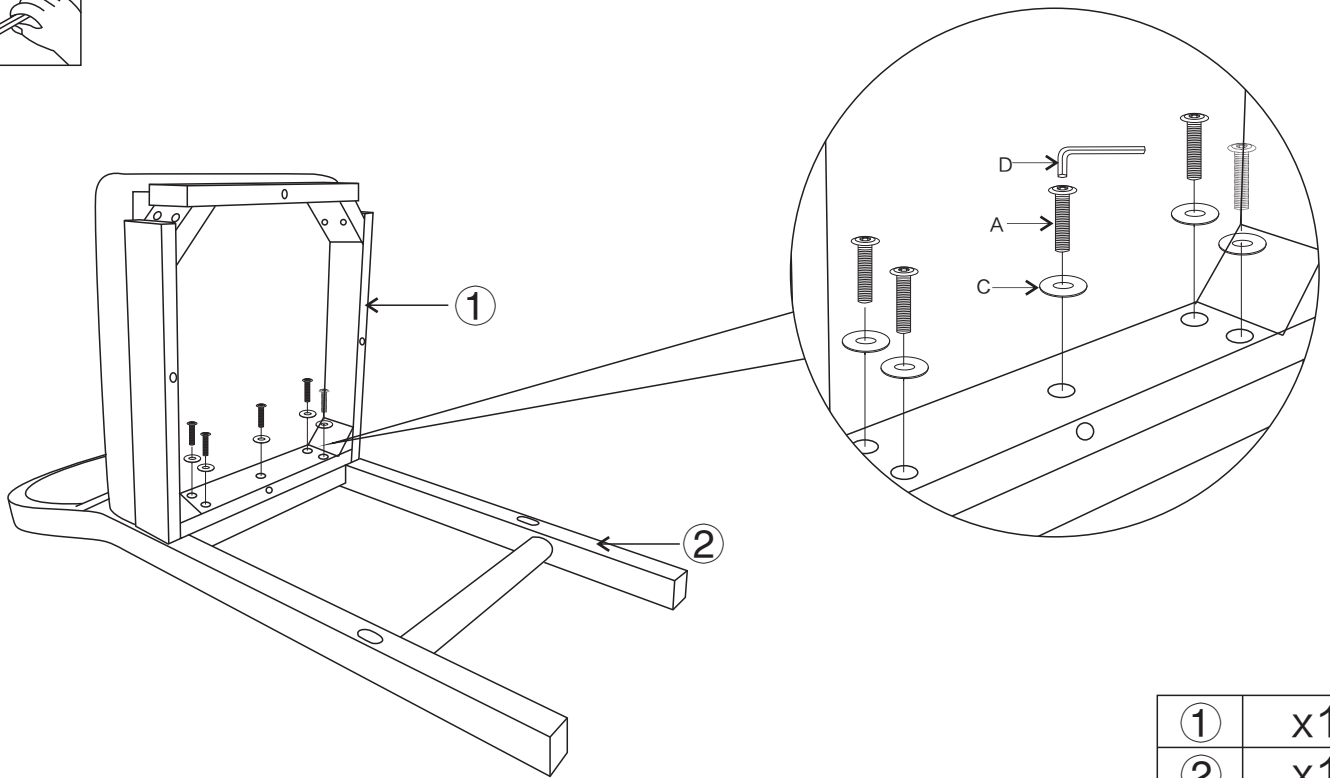
x2



1



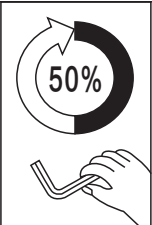
All screws in this step only position, not tighten.



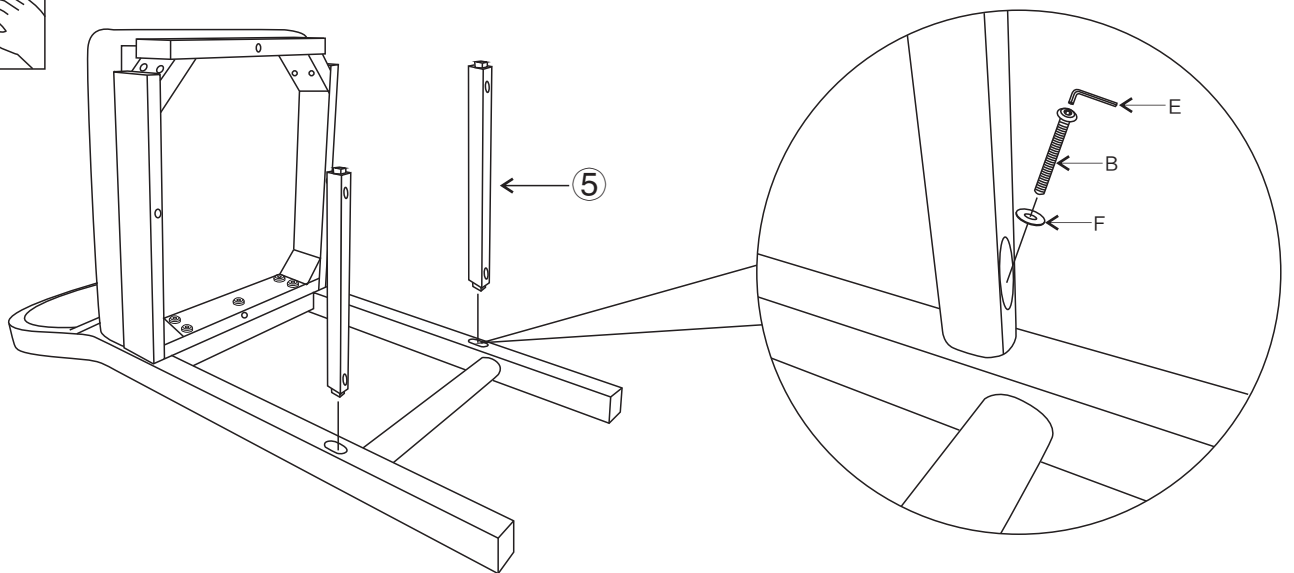
①	x1
②	x1
Ⓐ	x5
Ⓒ	x5
Ⓓ	x1

Connect backrest # 2 and seat cushion # 1 with screw # A.

2



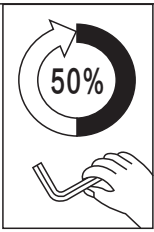
All screws in this step only position, not tighten.



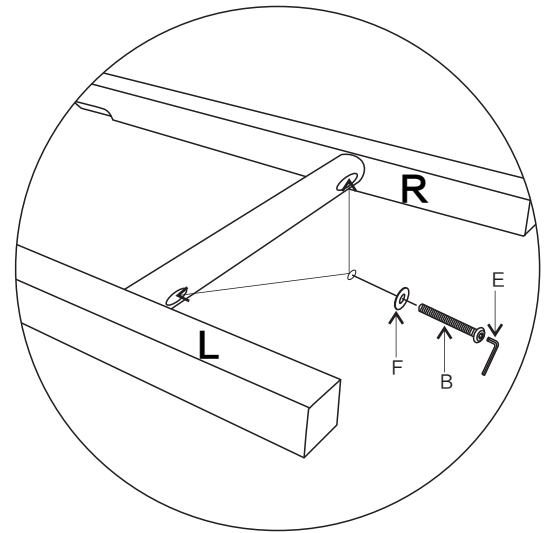
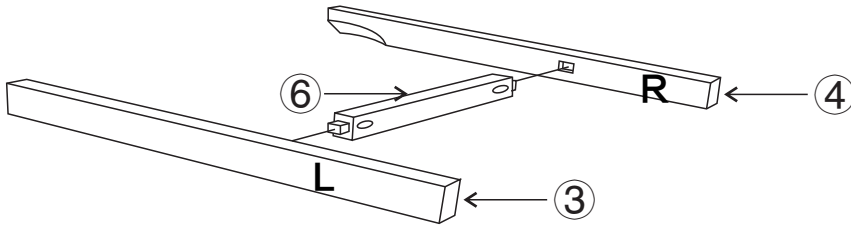
⑤	x2
Ⓑ	x2
Ⓔ	x1
Ⓕ	x2

Slip the side stretcher #5 into the mortise hole of the back leg, and secure it with screw #B.  
Note: Do not fully tighten the screw.

3



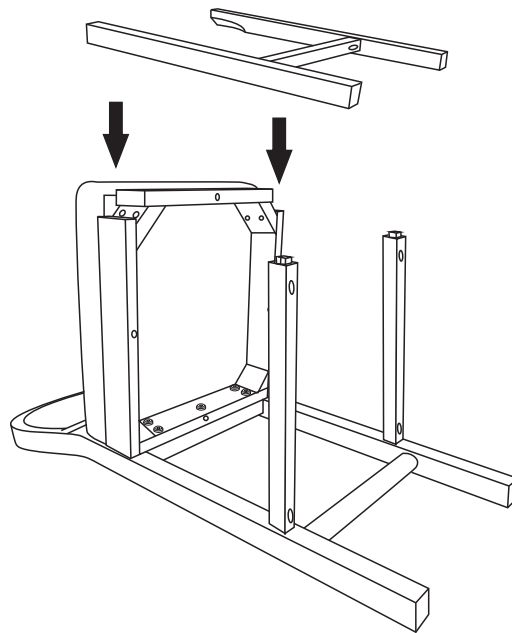
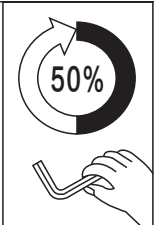
All screws in this step only position, not tighten.



③	x1
④	x1
⑥	x1
Ⓑ	x2
Ⓔ	x1
Ⓕ	x2

Connect the front cross bar and the left and right front legs with screw #B.  
 Note: Do not fully tighten the screws.

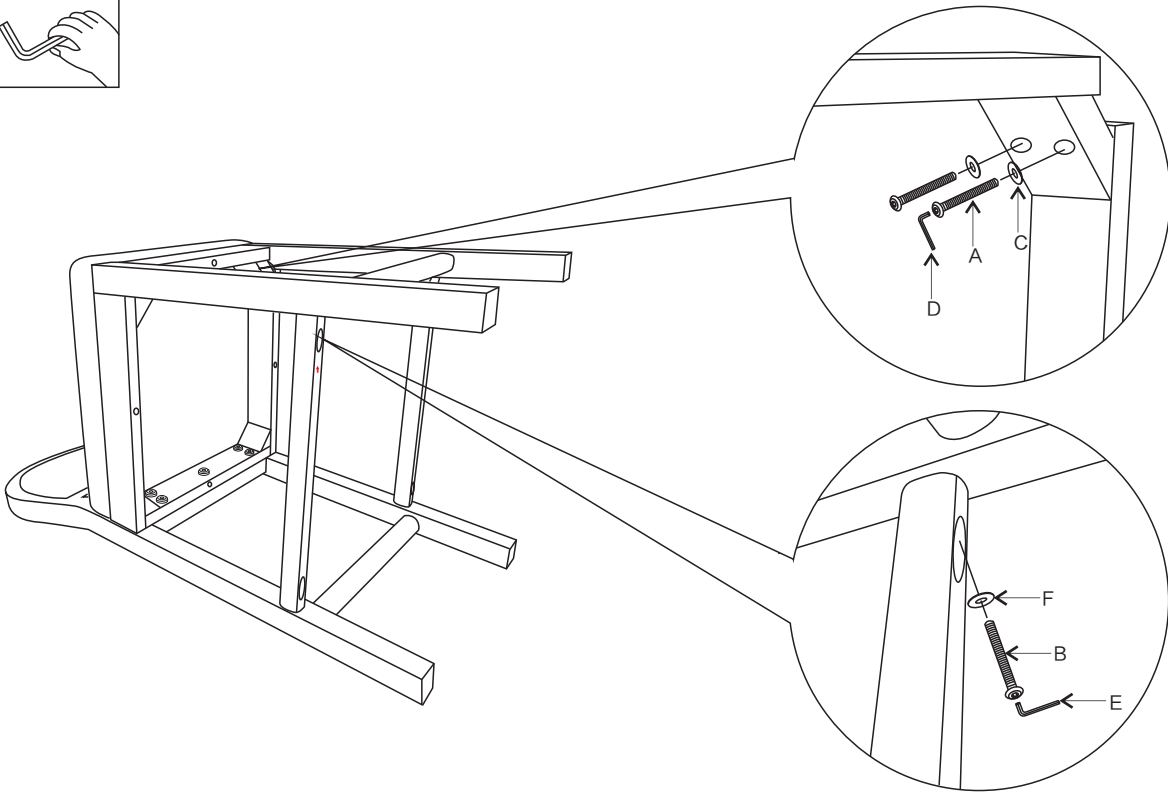
4



5



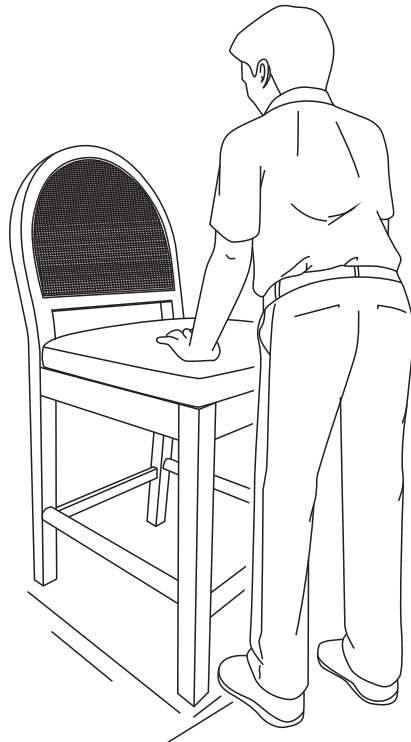
All screws in this step need to be 100% tightened.



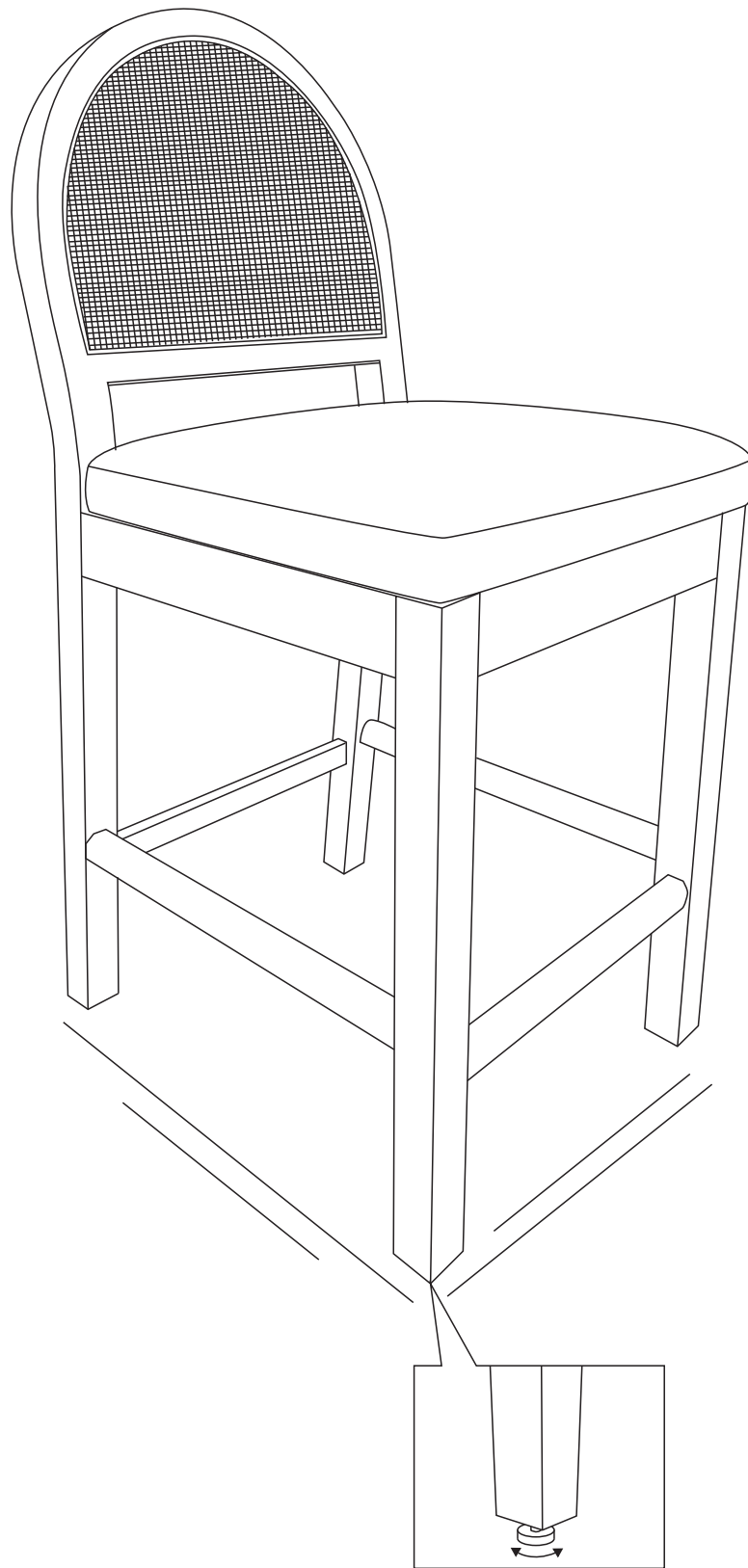
(A)	x4
(C)	x4
(D)	x1
(B)	x2
(E)	x1
(F)	x2

Connect seat cushion and the front legs with screw # A.  
Connect the crossbar and legs with screw # B.

6



Note: After installation, adjust the flatness and press it hard.



**FINISH!**

Note: After installation, if there is any unevenness, you can adjust it by rotating the foot screw G.