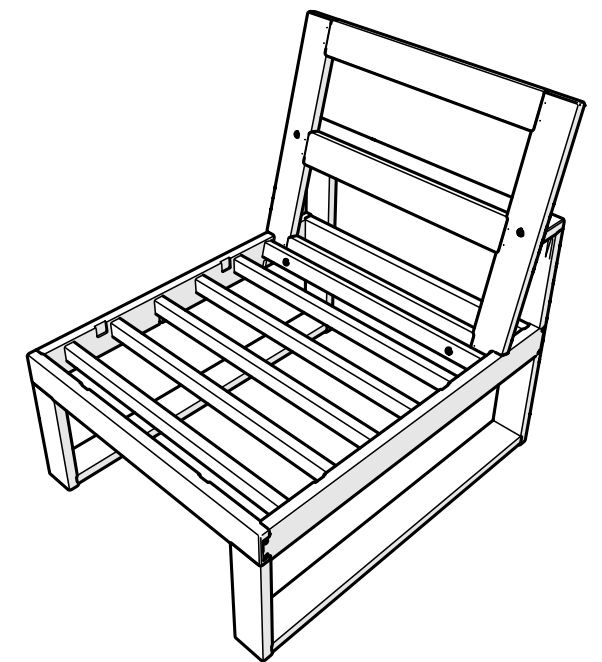


Modular Armless Chair
Assembly Instructions



4601CX

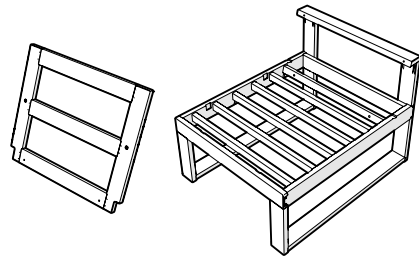
12/07/2022

TOOLS



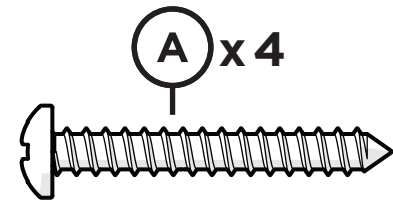
#3 Phillips Head
Screwdriver
(Not Included)

PARTS

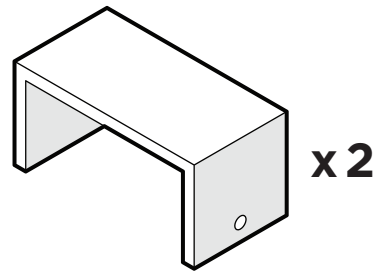


4601C-LAF-RAF-X
BACK

4601CX
ARMLESS
BASE

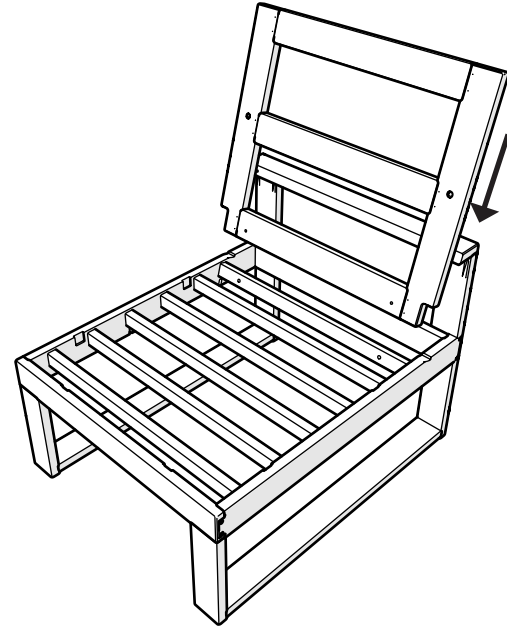


1.75" Screw — H14X175PP

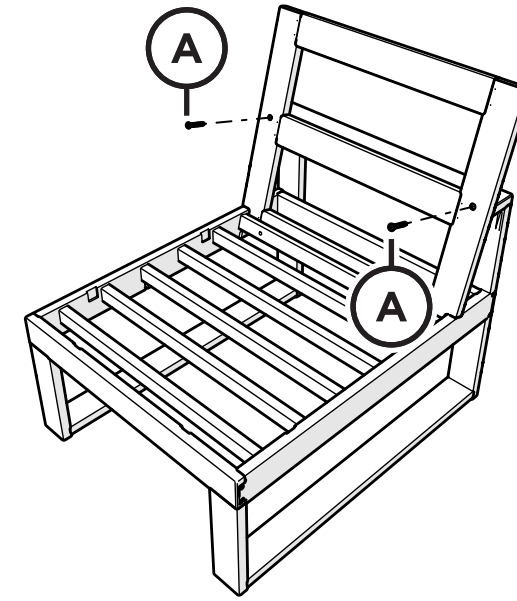


Bracket — P13275-XX

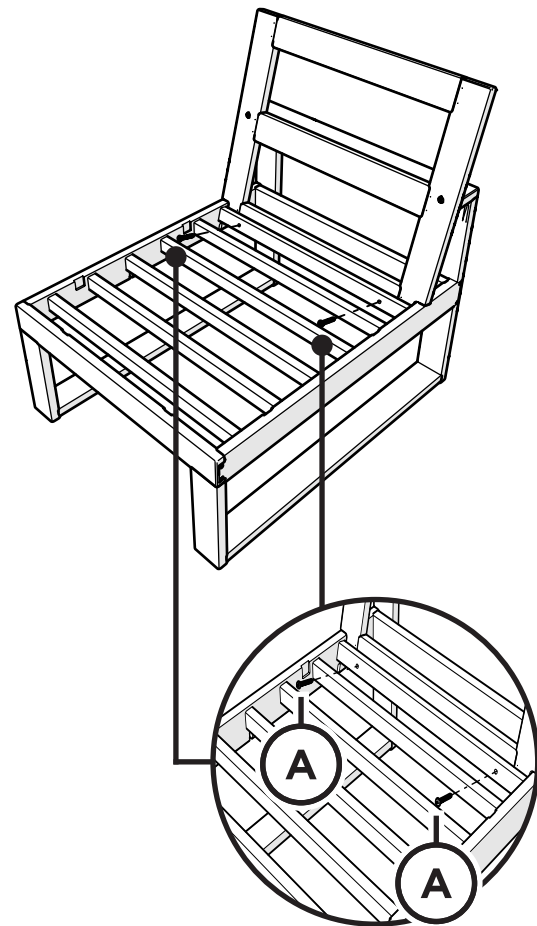
1



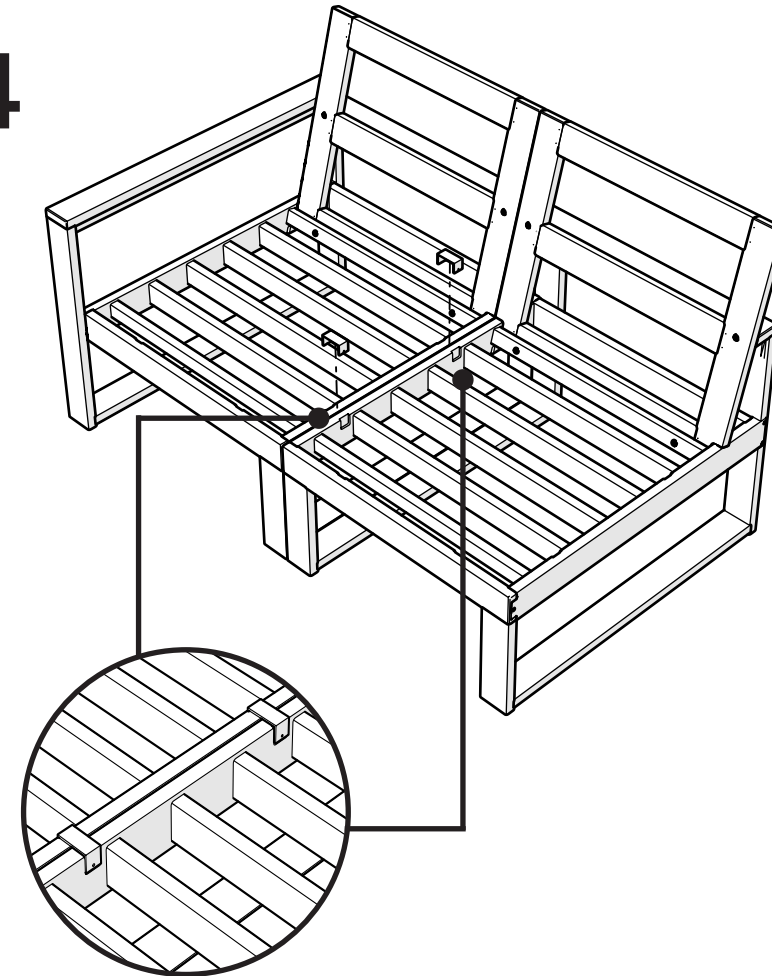
2



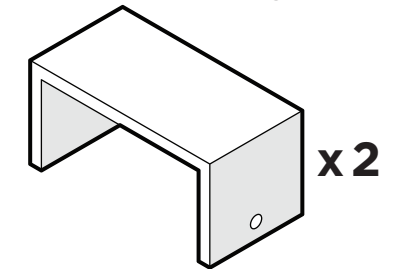
3



4



Brackets can be used to connect
furniture together



Bracket — P13275-XX