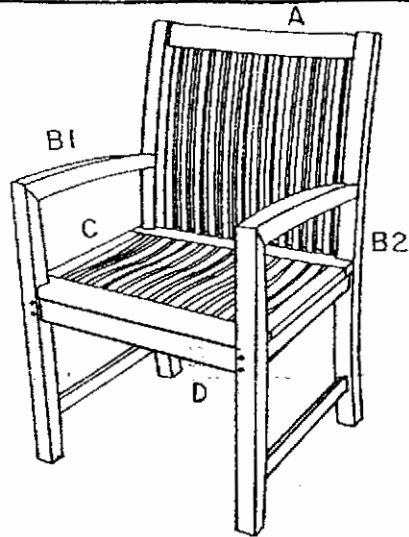


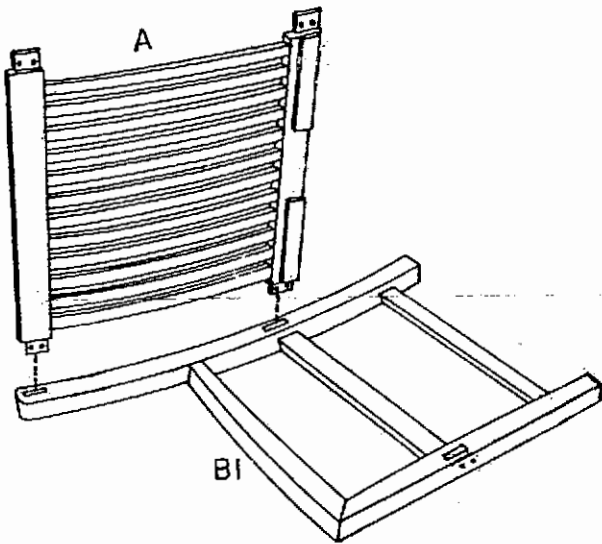
ASSEMBLY INSTRUCTIONS

TEAKWOOD ROYAL ARMCHAIR (ATF10)

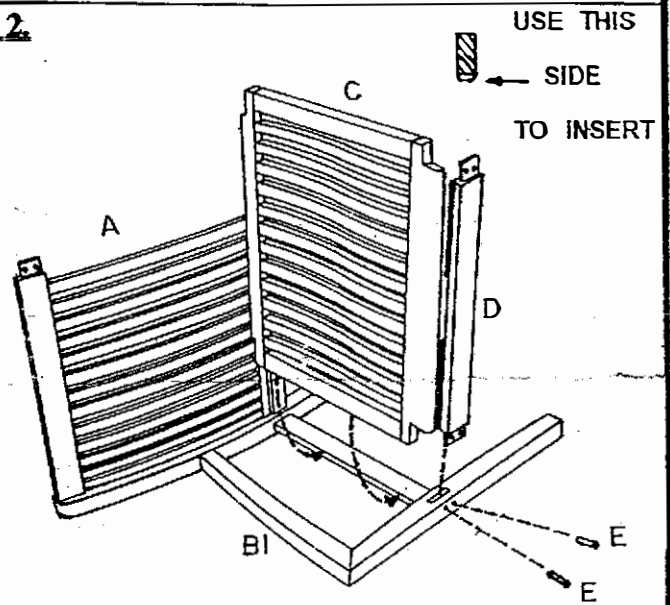
PARTS.



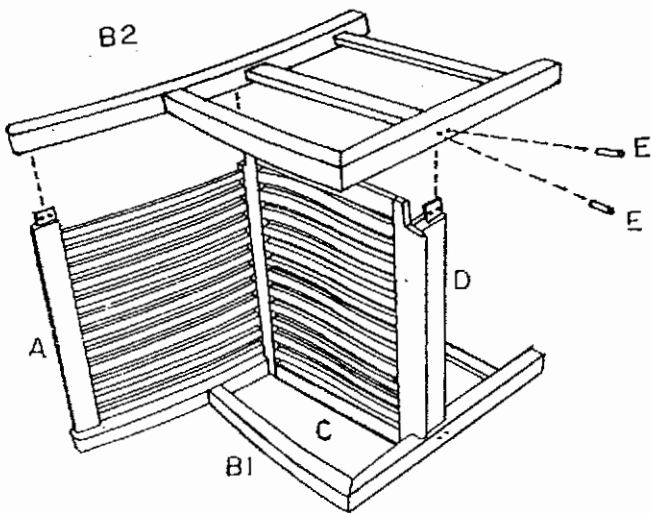
STEP 1.



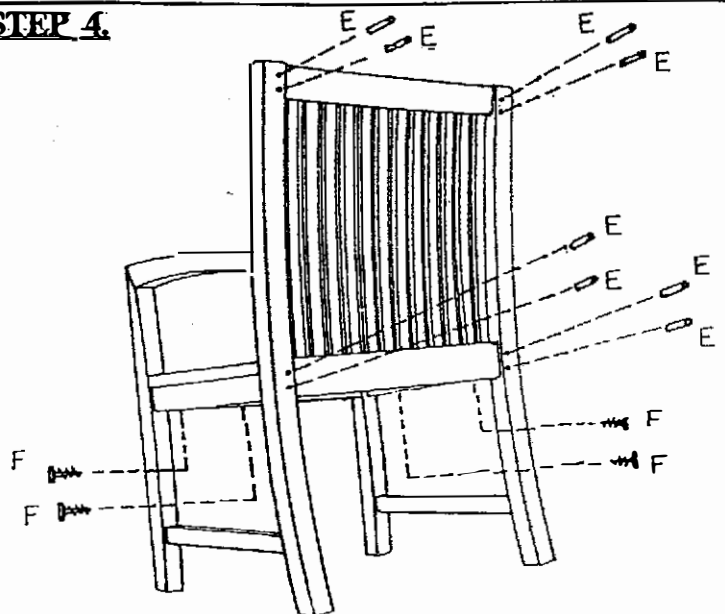
STEP 2.




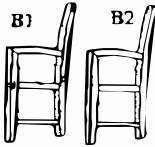
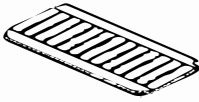
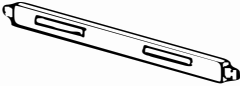

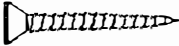


STEP 3.



STEP 4.



ASSEMBLY INSTRUCTIONS
TEAKWOOD ROYAL ARMCHAIR (ATF10)

NO.	PARTS	QTY.	NO.	PARTS	QTY.
A	BACKREST 	1	B 1 B 2	ARM-LEGS 	2
C	SEAT SLATS 	1	D	FRONT STRETCHER 	1
E	LONG DOWEL 	12 (2 EXTRAS)	F	SCREW 	4
G	SANDPAPER 	1	H	GLUE 	1

Assembly Instruction :-

NOTE : Dip dowel in glue before inserting into the pre-drilled holes.

DO NOT FORCE!

Unpack and lay parts on clean flat soft surface to avoid marring wood.

- Step 1. Lay arm leg (B1) flat on carpet with the mortise joint side up. Fit tenons of backrest (A) to arm leg (B1) being sure the bars of backrest are facing towards the front of the chair as shown.
- Step 2. With the chair still on its side, fit tenon of front stretcher (D) to mortise of arm leg (B1). Then place seat slats (C) over arm leg (B1), backrest (A) and front stretcher (D) as picture.
- Step 3. With the backrest (A), arm leg (B1), seat slats (C) and front stretcher (D) firmly in place, fit tenons of A and D into mortise of arm leg (B2). Align mortise joint of chair leg with tenons of completed assemblage and secure. Using rubber hammer drive all tenons and mortise joints together until a light fit is achieved.
- Step 4. Insert the wooden dowel (E) into the hole to lock the tenons. (Dip the tip of wooden dowel into PVAC glue (H) before inserting into the hole) cut the wooden dowel that is left over the depth of the hole with chisel, flush with sandpaper. Tighten up screw (F) under chair sidebar to secure the seat.

Care Suggestions & Recommendations :

- To maintain the natural golden brown color of your teak furniture, apply teak oil every 6 months (or follow the teak oil container directions not included). This method requires some maintenance for upkeep such as sanding & reapplication of teak oil. Using teak oil does not prolong the life of teak, it simply maintains color. Teakwood when left bare, will fade to a natural silver - gray color.
- Do not leave your teak furniture in puddles of water or on wet ground.
- Cover your teak furniture during the winter months or move indoors if in northern climates