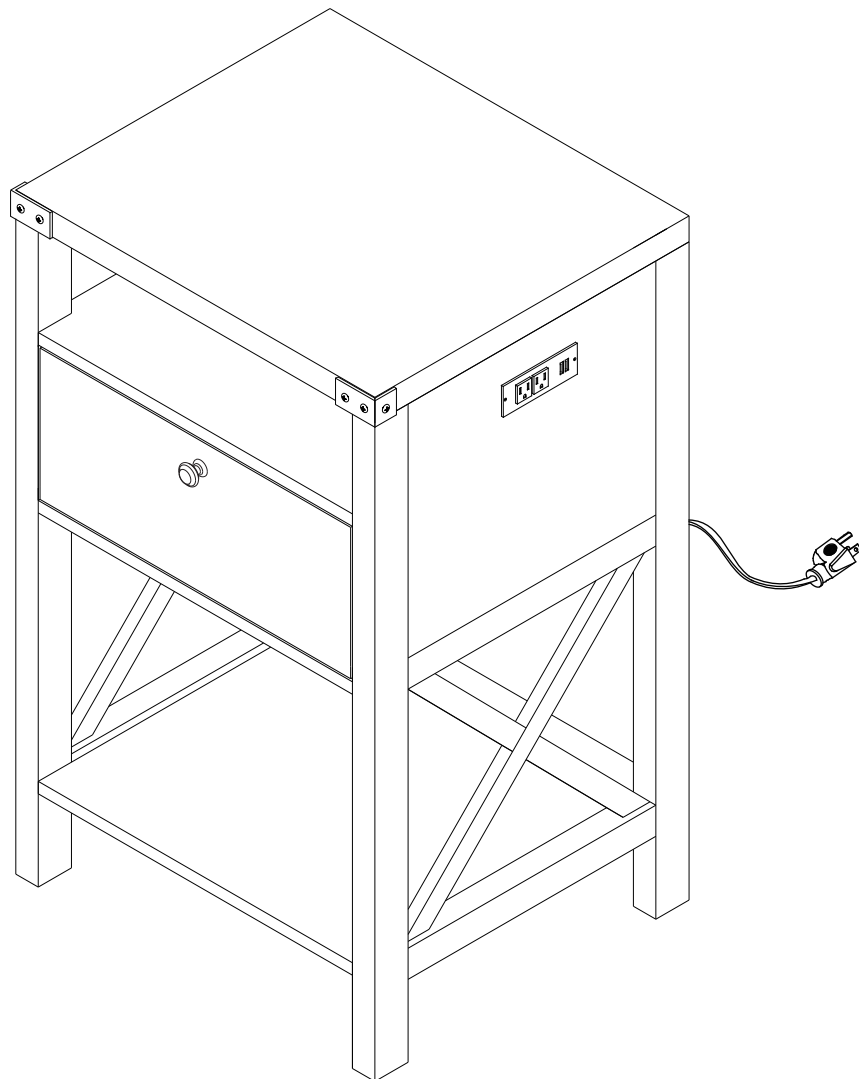
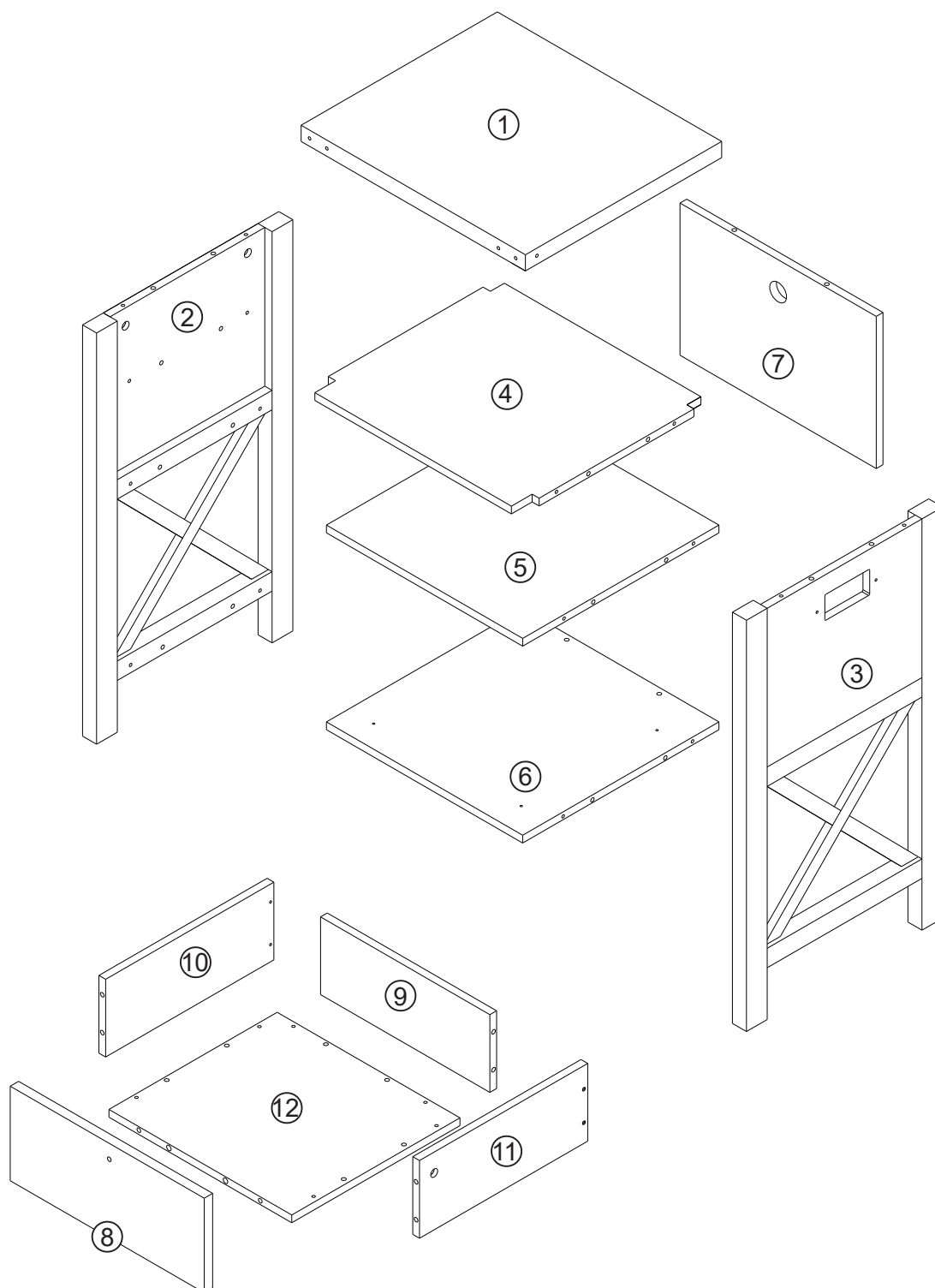


# End Table KT26

## Assembly Instructions

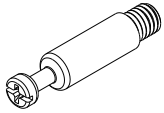


# PACKAGE CONTENT



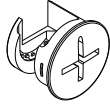
# PACKAGE CONTENT

**A**



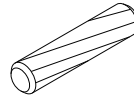
**20x**

**B**



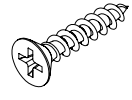
**20x**

**C**



**30x**

**D**



M4x30mm

**10x**

**E**



**1x**

**F**



**1x**

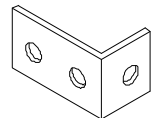
**G**



M3x12mm

**10x**

**H**



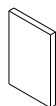
**2x**

**I**



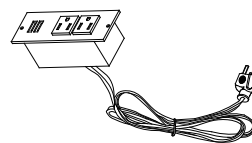
**6x**

**J**



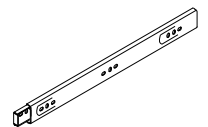
**4x**

**K**



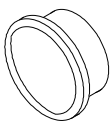
**1x**

**L**



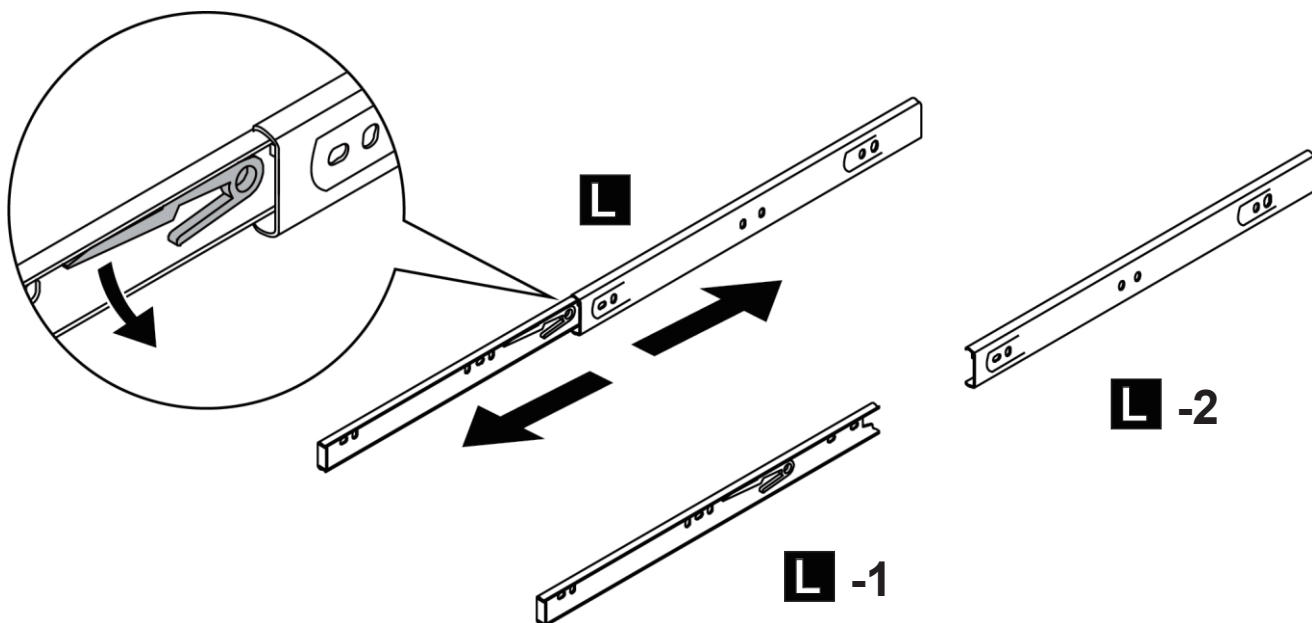
**2x**

**M**

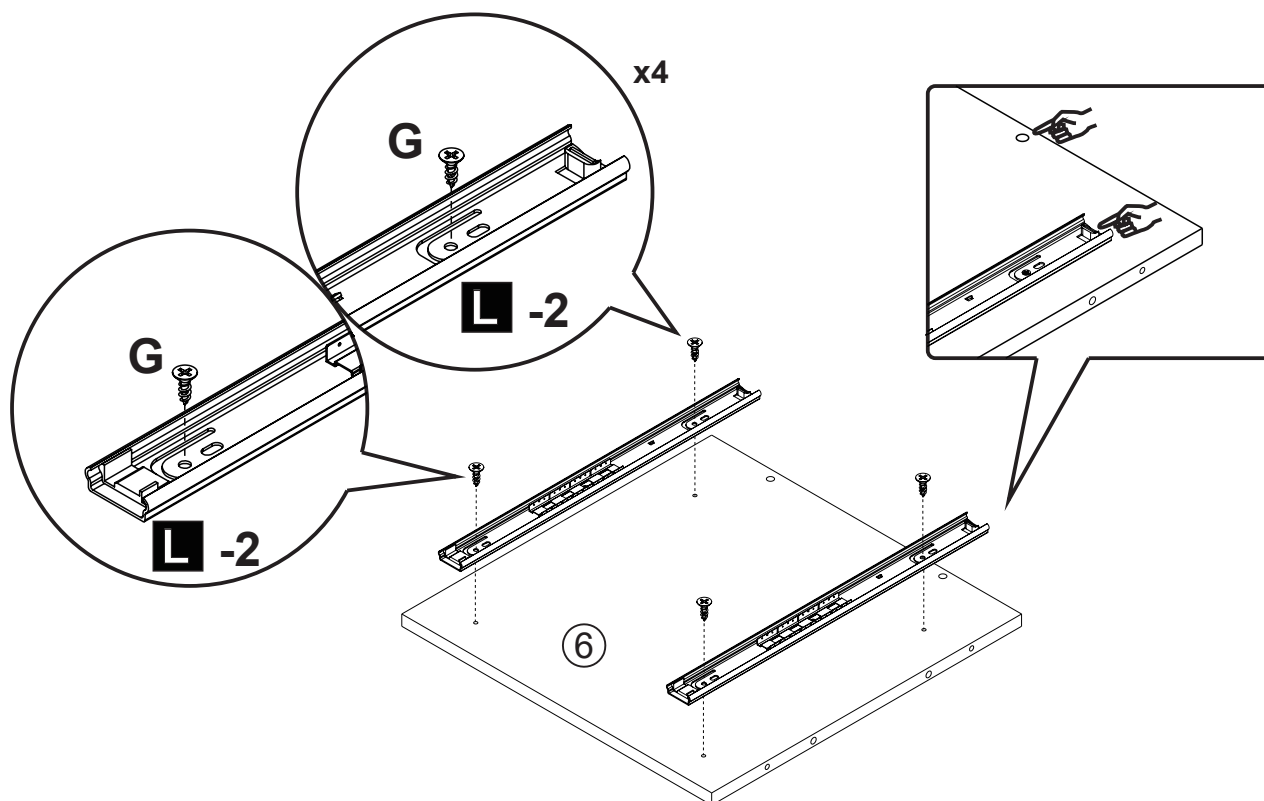


**1x**

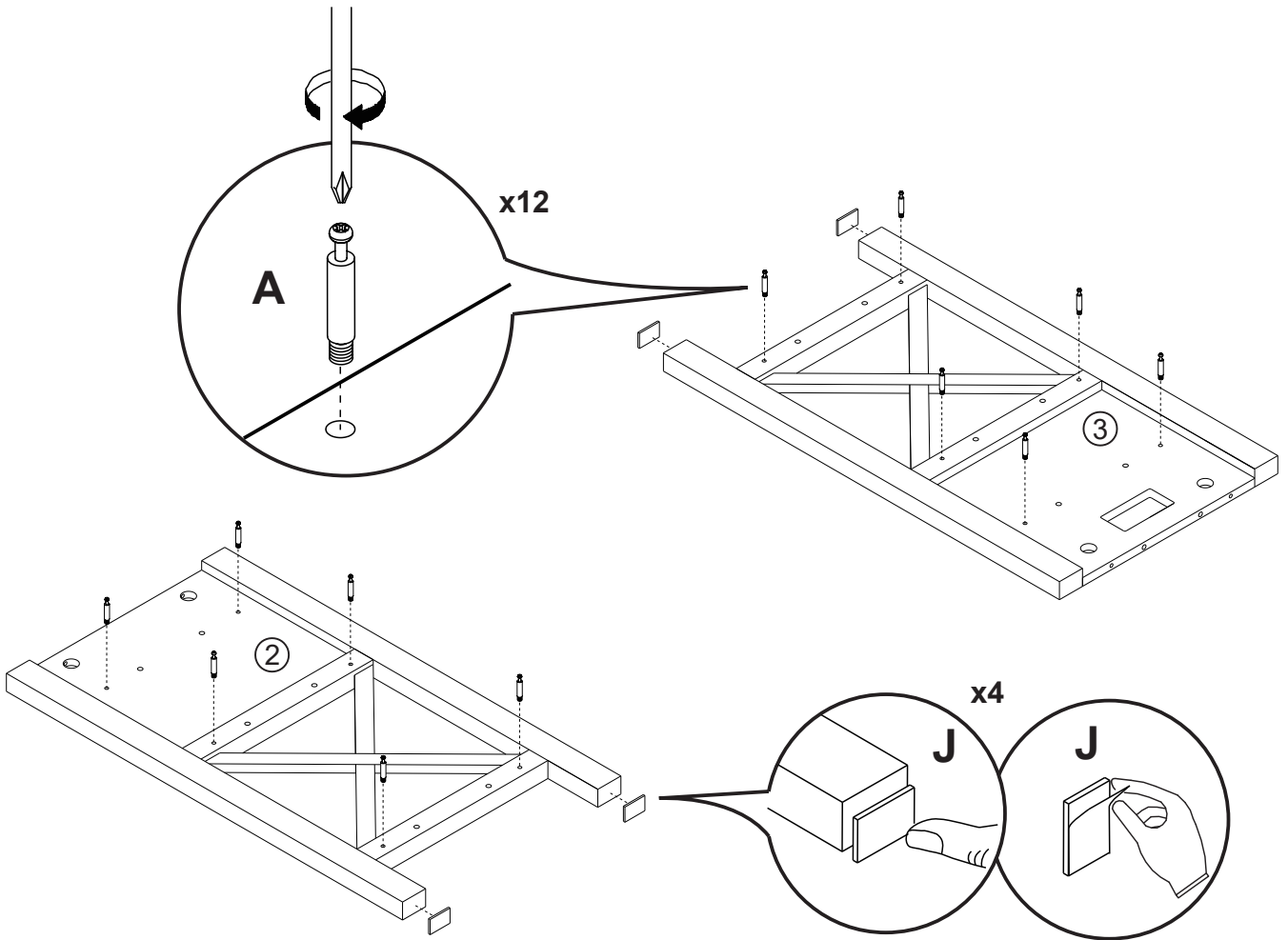
1



2

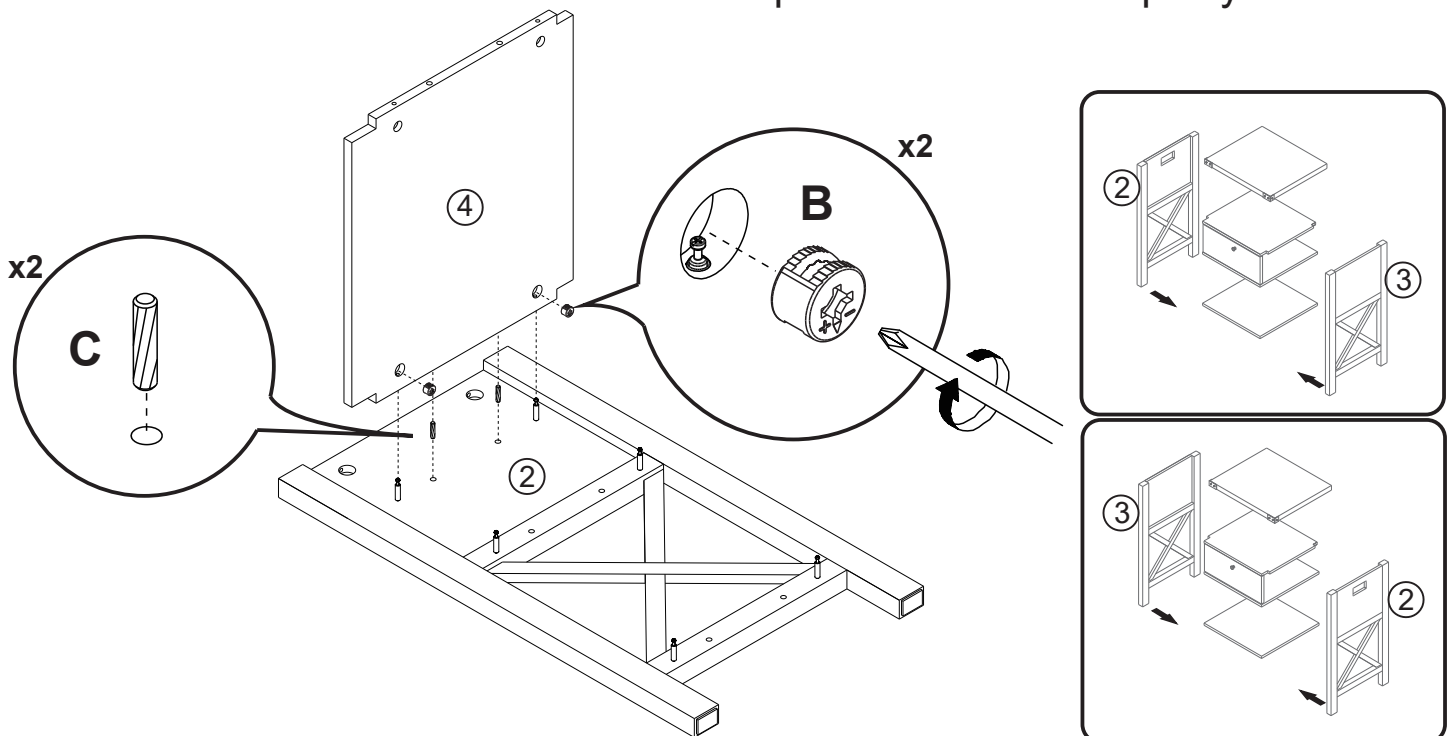


3

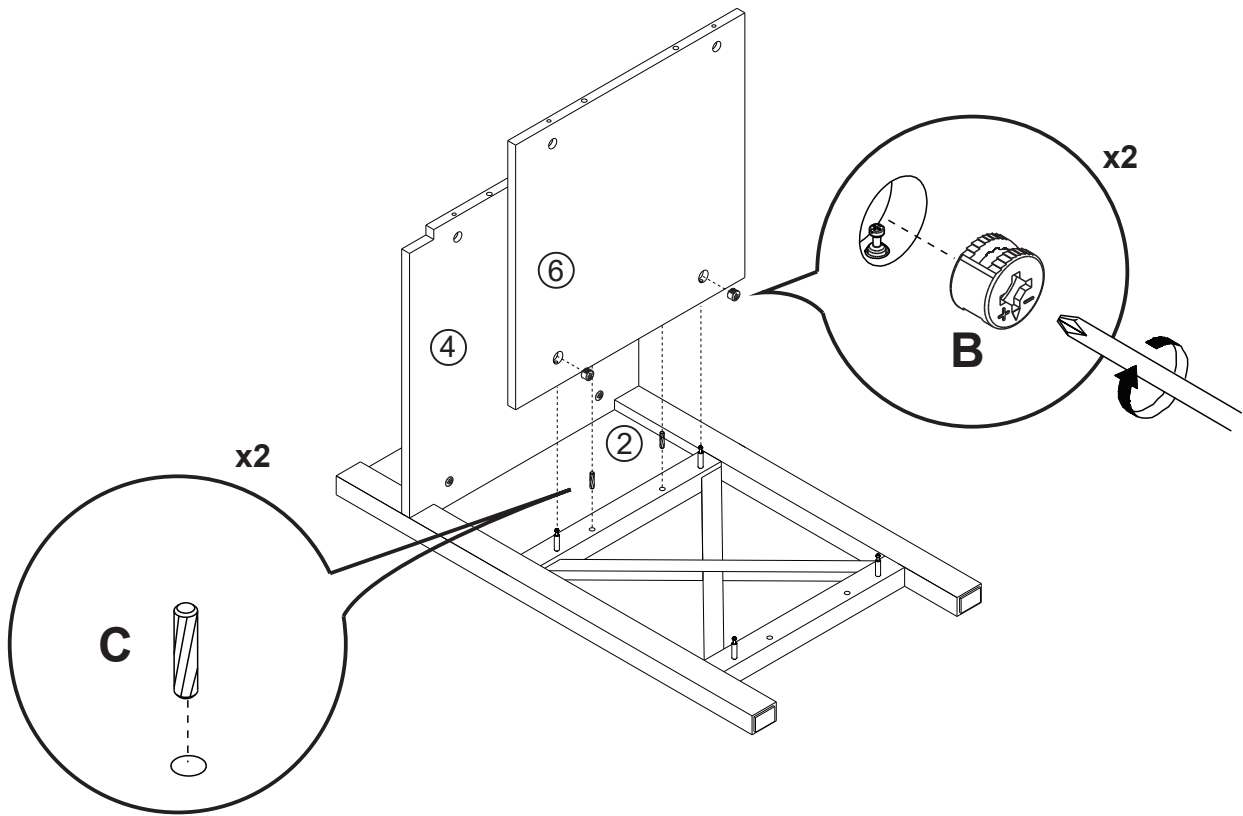


4

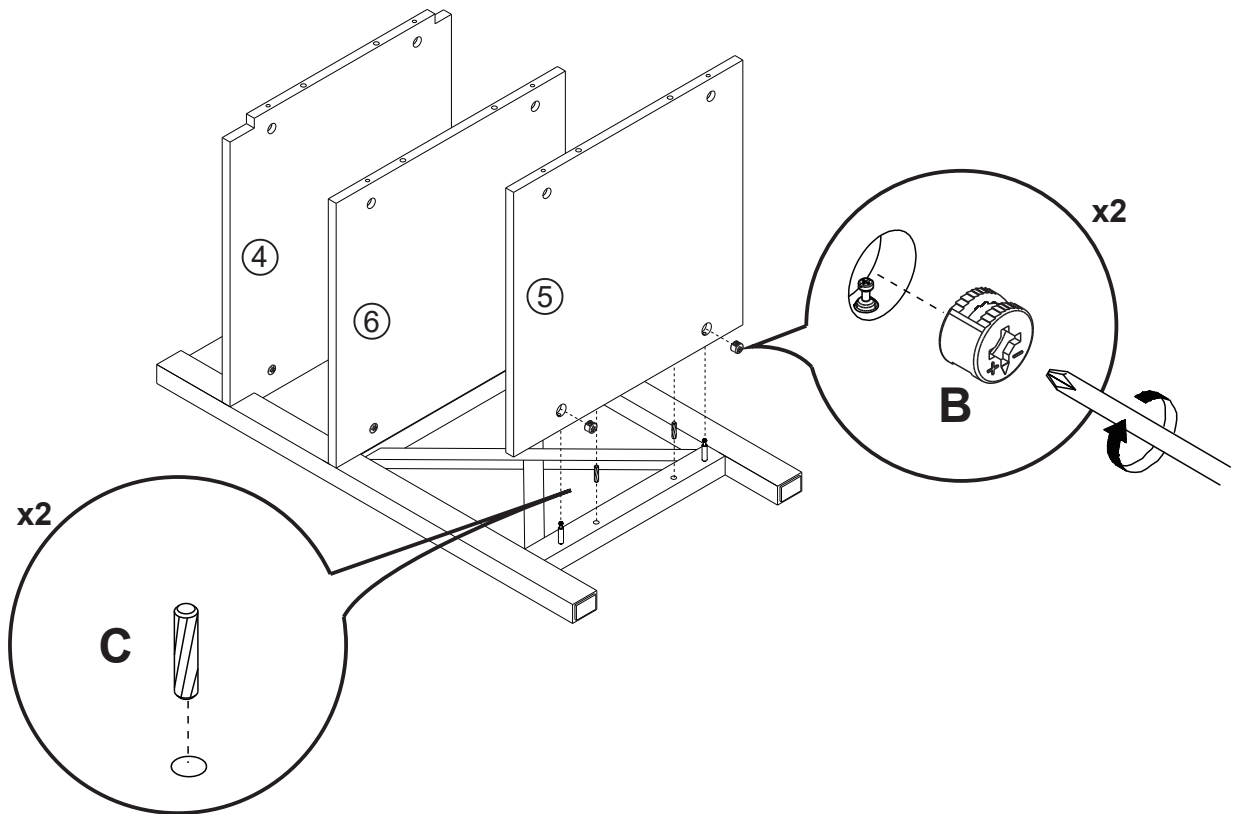
Important ! Socket can be on either left or right side. Switch panels 2 and 3 as per your need !



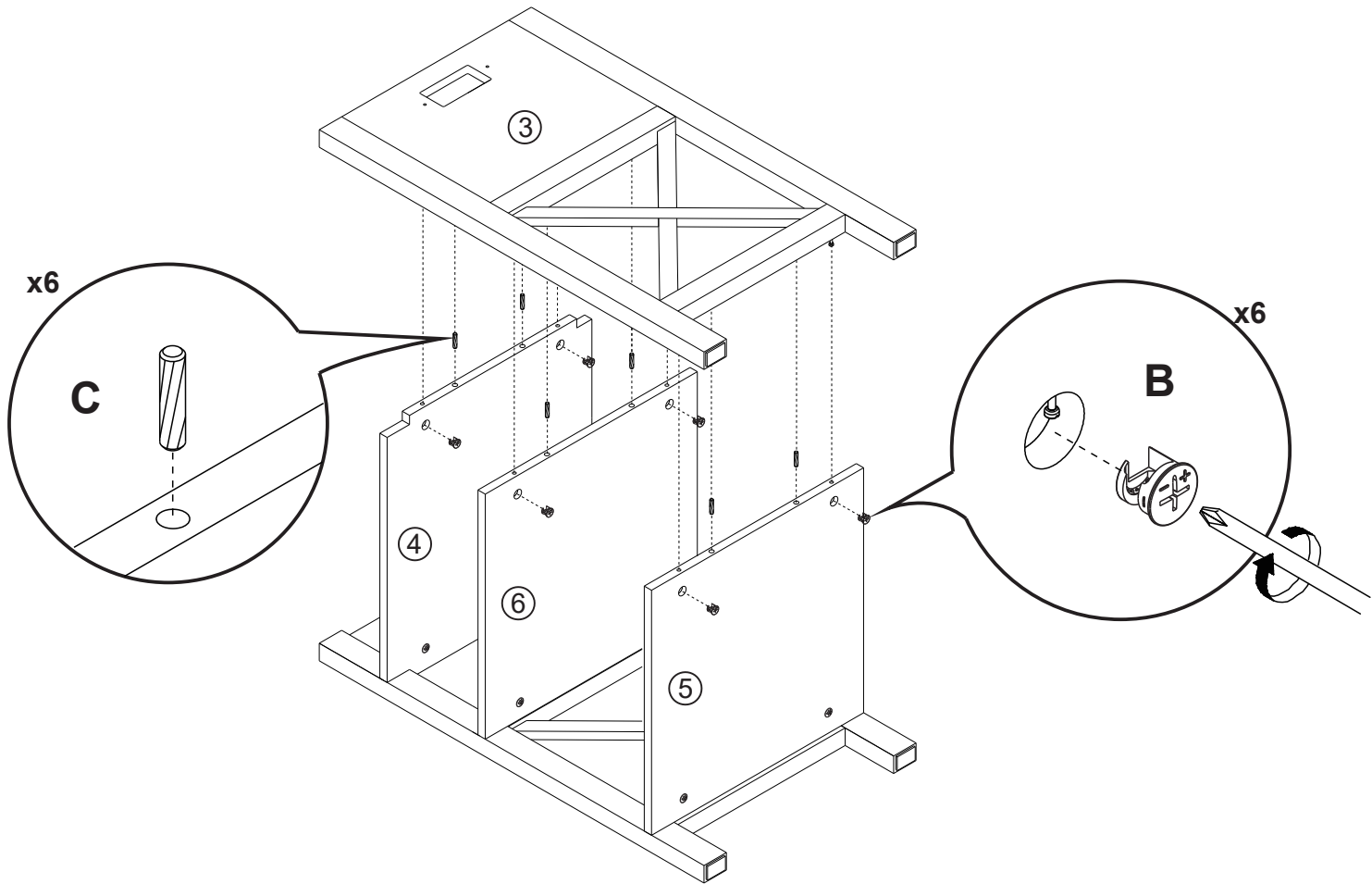
5



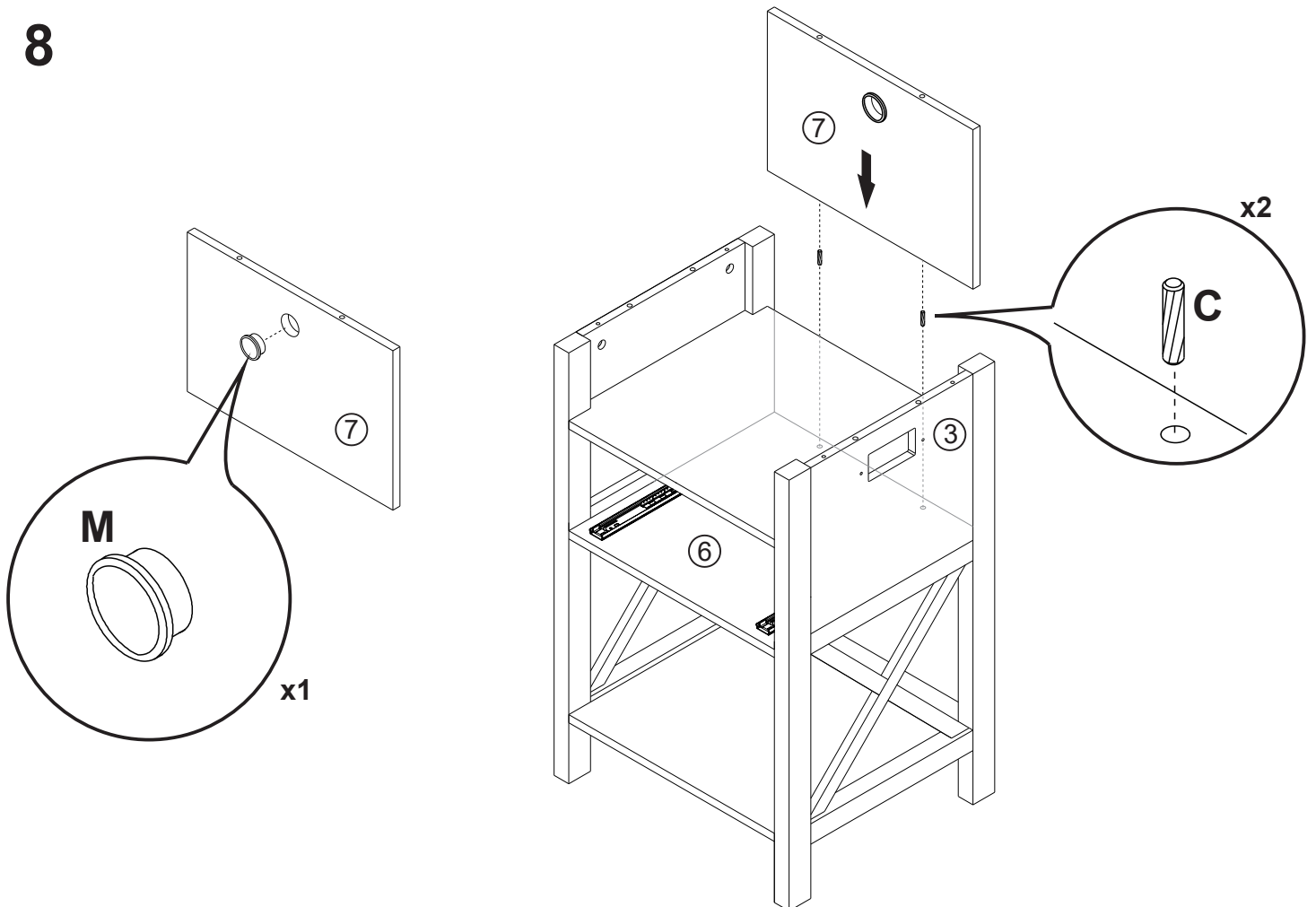
6



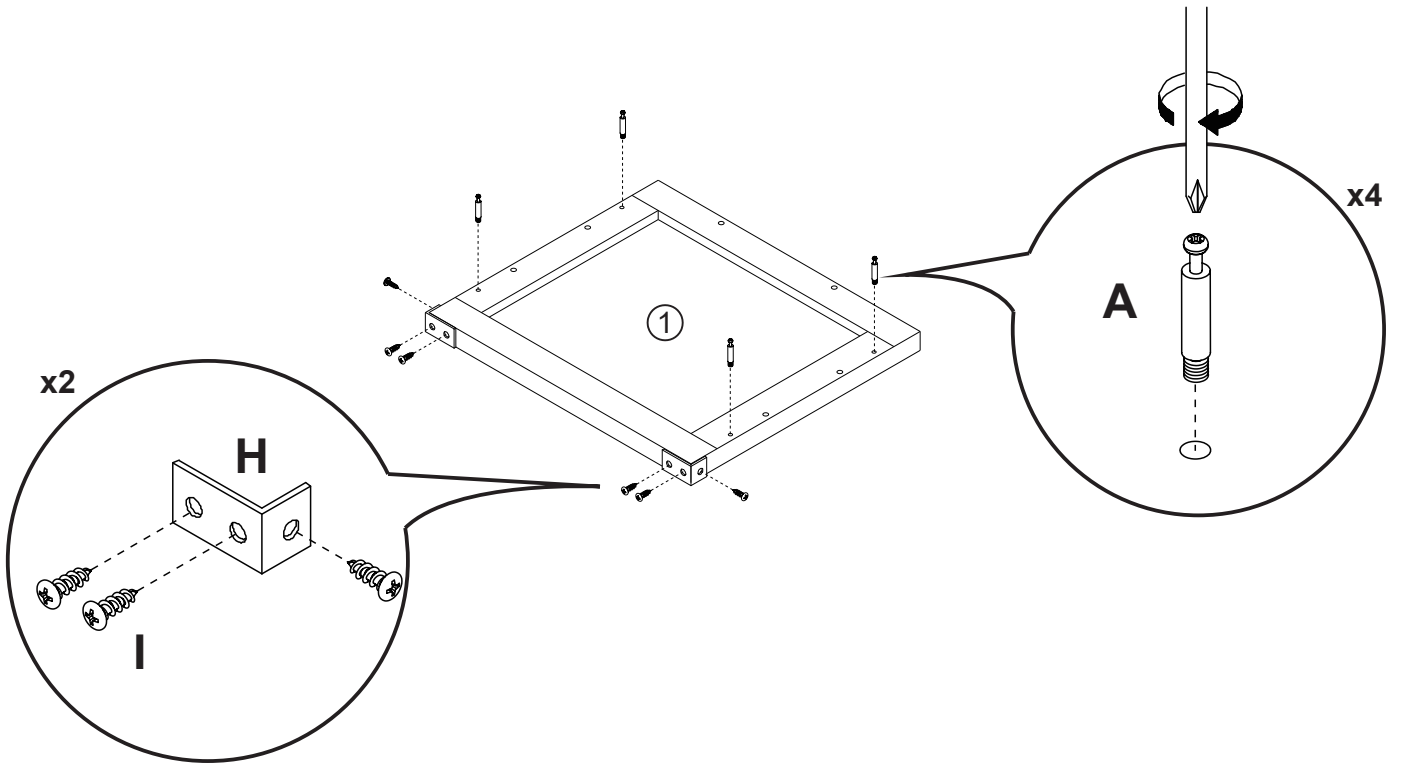
7



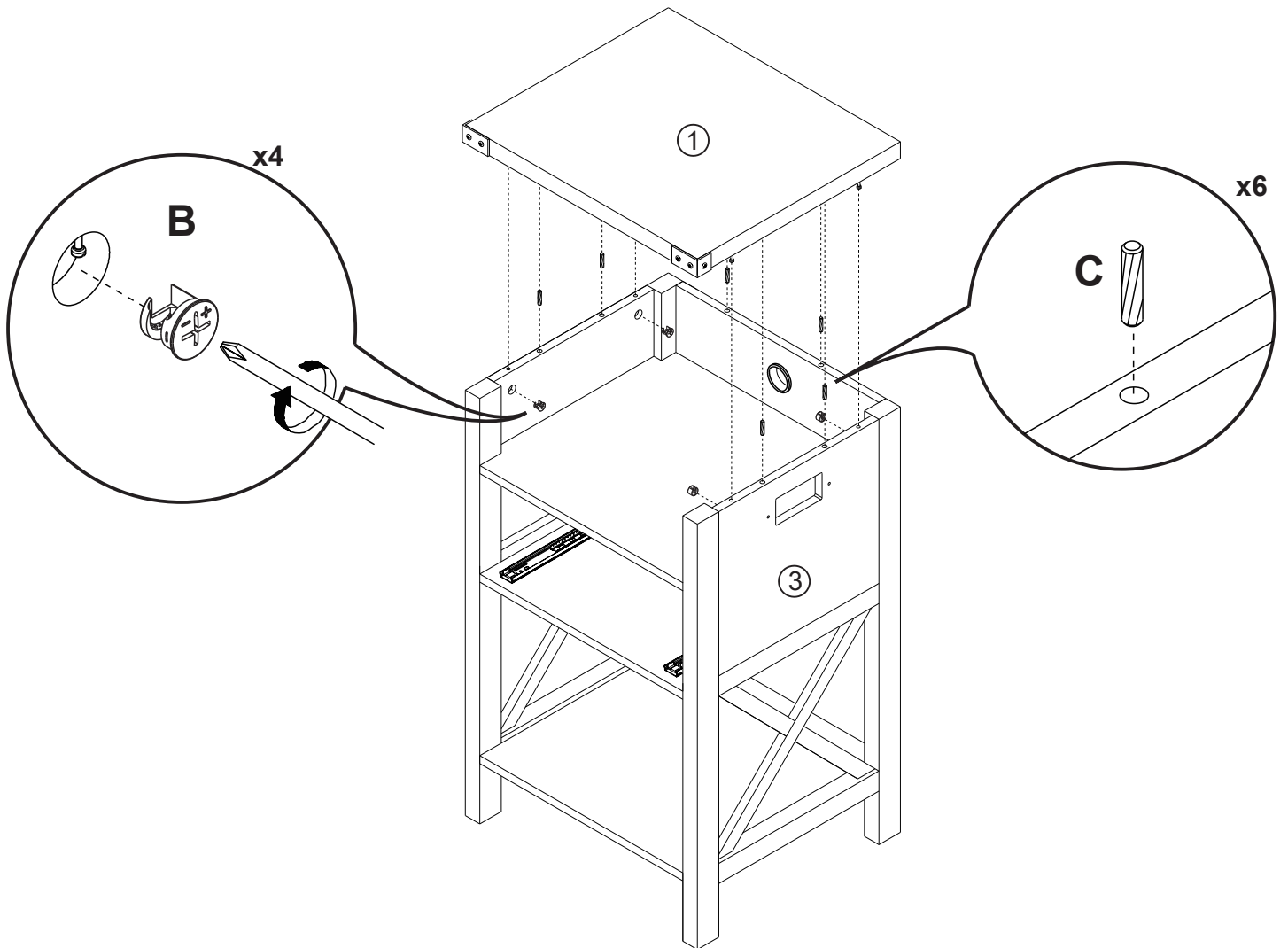
8



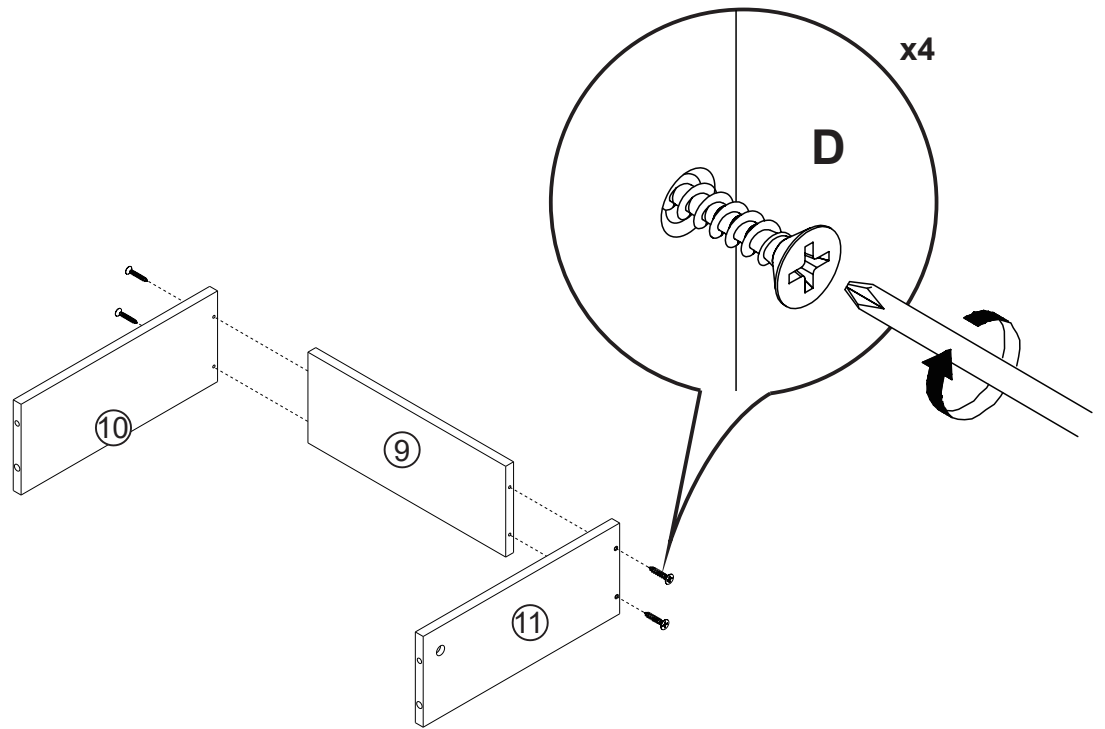
9



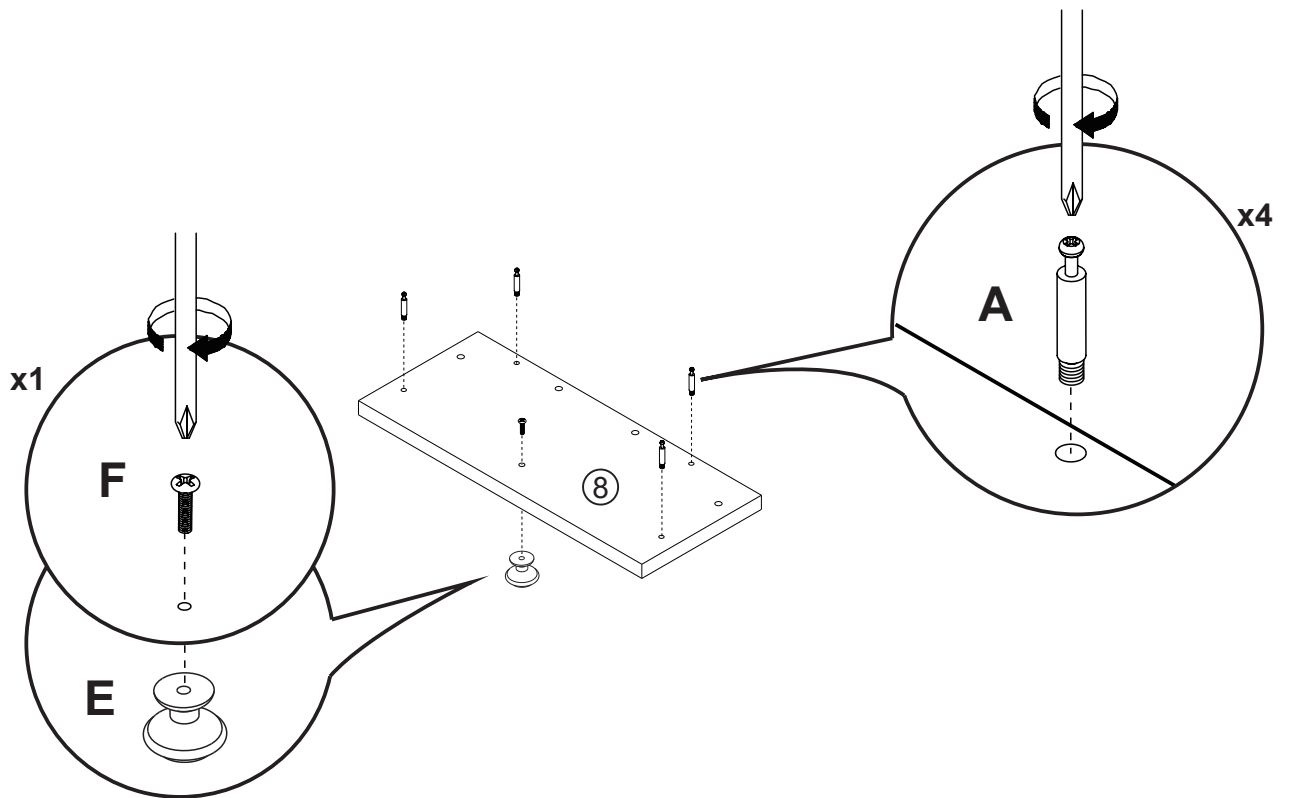
10



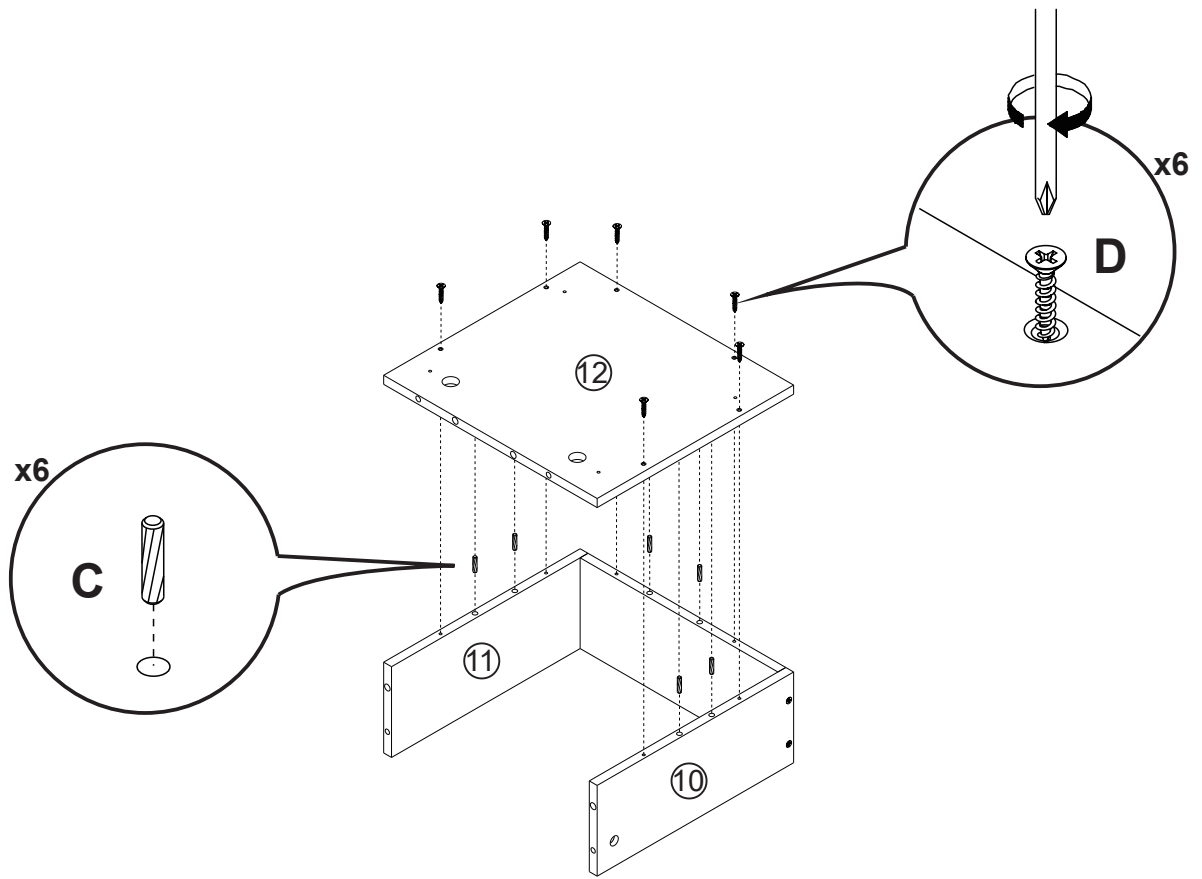
11



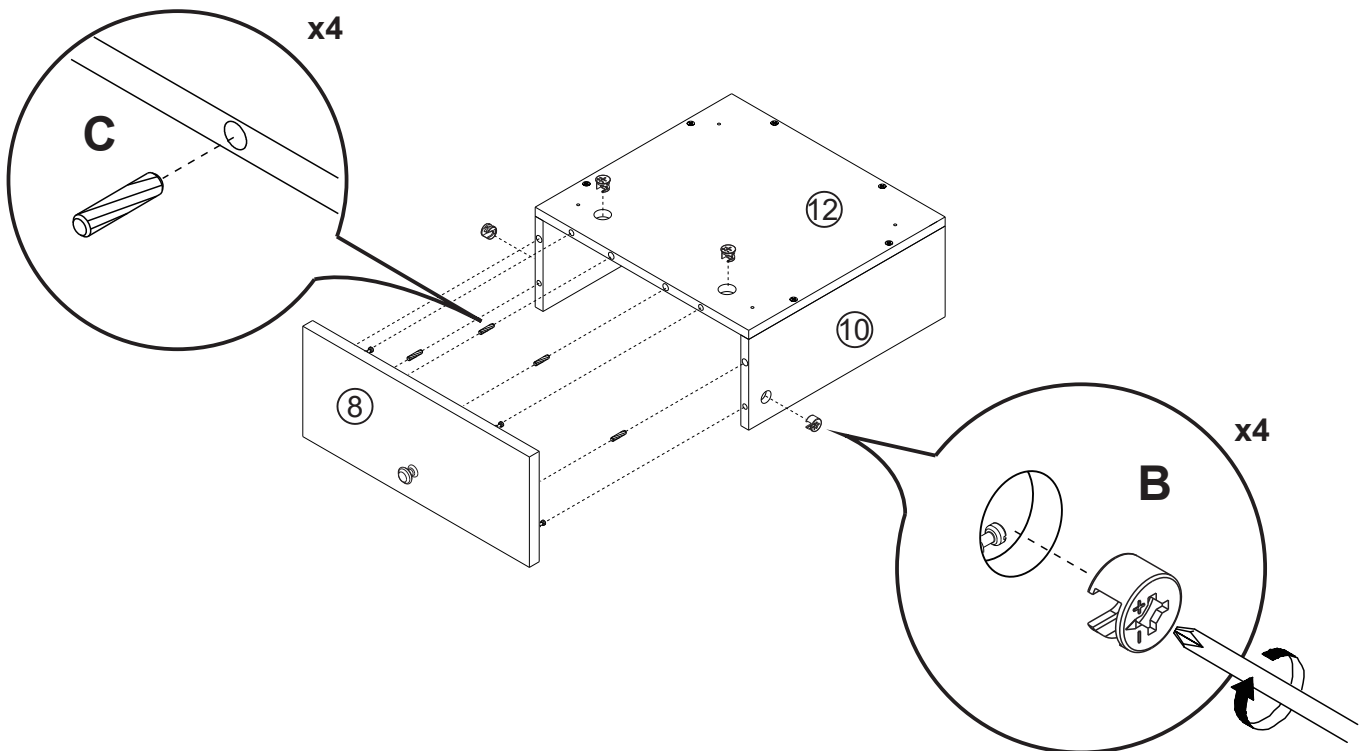
12



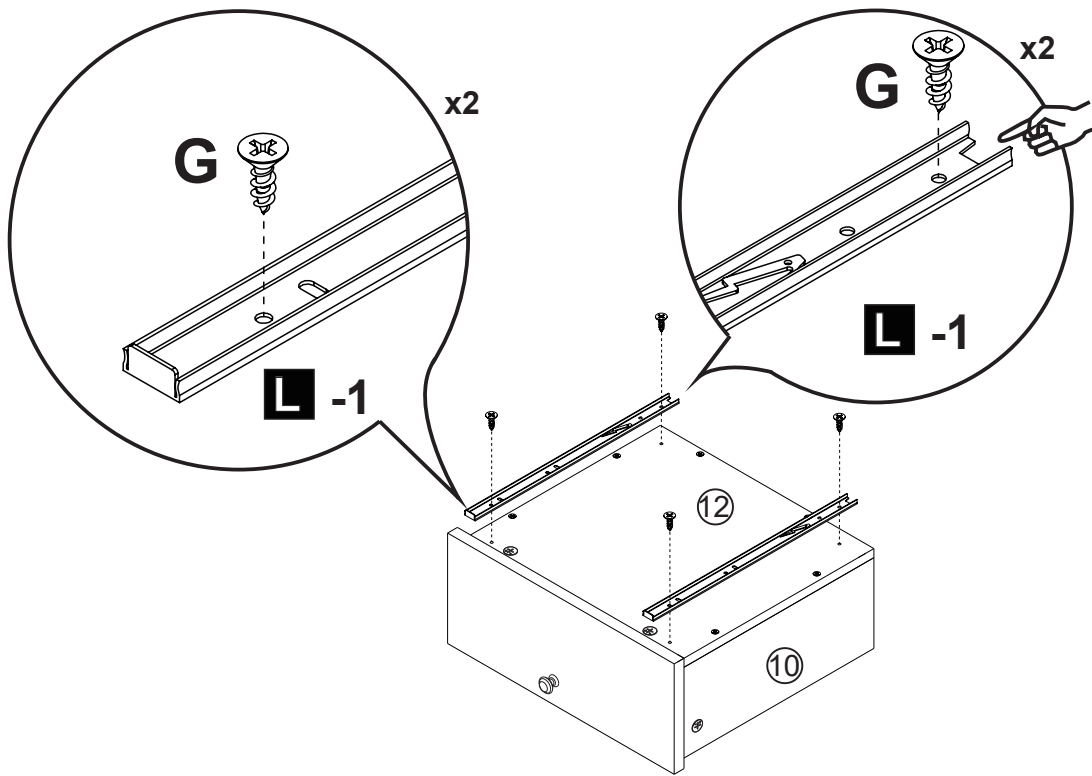
13



14



15



16

