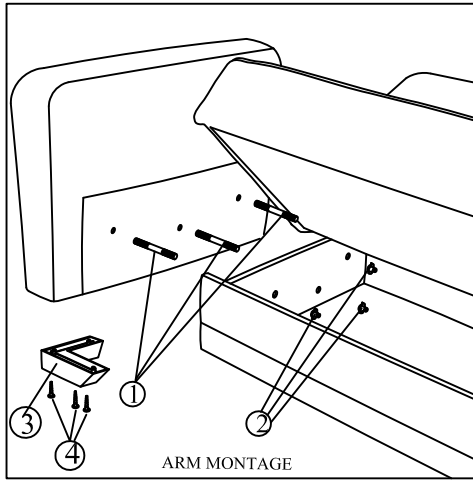


ASSEMBLING GUIDE

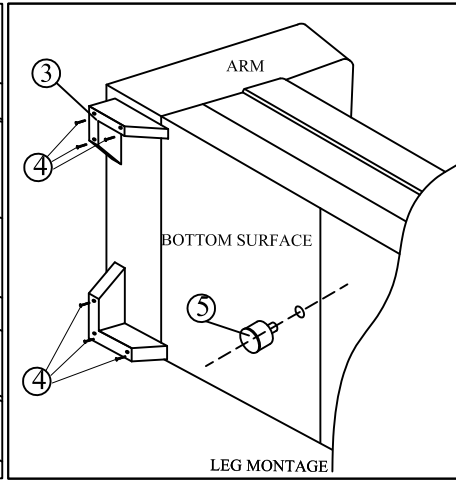


A-ARM ASSEMBLING

A-) PUT THE CONNECTION APARTE (1) IN TO THE ARMS

B-) PLACE THE ARMS NEAR TO THE BOX

C-) FIX THE ARMS TO THE BOX BY USING WING NUT (2)



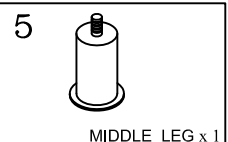
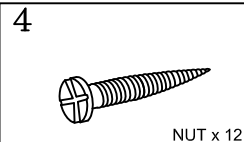
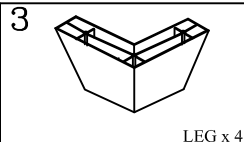
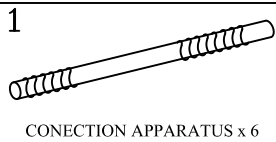
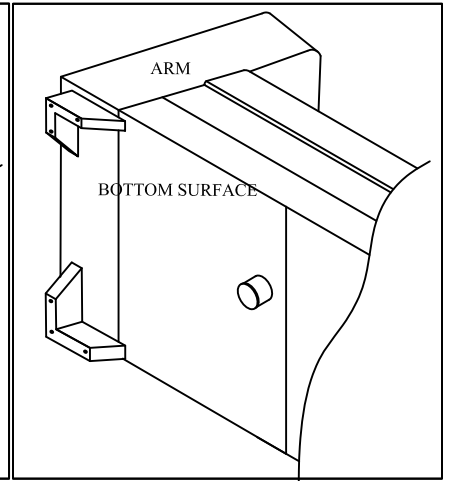
B - LEG ASSEMBLING

A-) PLACE THE SOFA ON ITS BACKSIDE

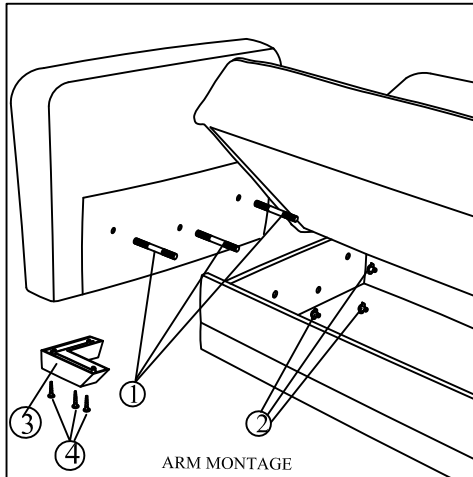
B-) PUT THE LEG (3) ON THE ARM

C-) ASSEMBLE THE LEG (3) TO THE ARM, BY USING THE NUT (4)

D-) ASSEMBLE THE MIDDLE LEG (5) TO THE BOTTOM HOLE



ASSEMBLING GUIDE

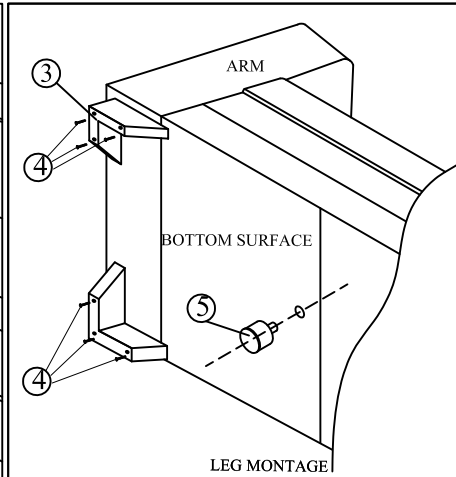


A-ARM ASSEMBLING

A-) PUT THE CONNECTION APARTE (1) IN TO THE ARMS

B-) PLACE THE ARMS NEAR TO THE BOX

C-) FIX THE ARMS TO THE BOX BY USING WING NUT (2)



B - LEG ASSEMBLING

A-) PLACE THE SOFA ON ITS BACKSIDE

B-) PUT THE LEG (3) ON THE ARM

C-) ASSEMBLE THE LEG (3) TO THE ARM, BY USING THE NUT (4)

D-) ASSEMBLE THE MIDDLE LEG (5) TO THE BOTTOM HOLE

