

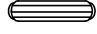




# ASSEMBLY INSTRUCTION

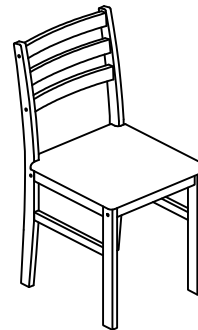
Thank you for purchasing this quality products. Be sure to check all packing material carefully for small parts which have come loose inside the carton during shipment. Identify and count all parts and compare with the parts list below. Place all wooden furniture parts on a clean and flat soft surface, such as carpet or rug to prevent from being scratched.

LIST OF PARTS		
No	Description	Qty
1	Chair Frame Left	1
2	Chair Frame Right	1
3	Back Rail	2
4	Back Center Rail	1
5	Front & Back Apron	2
6	Chair Seat	1

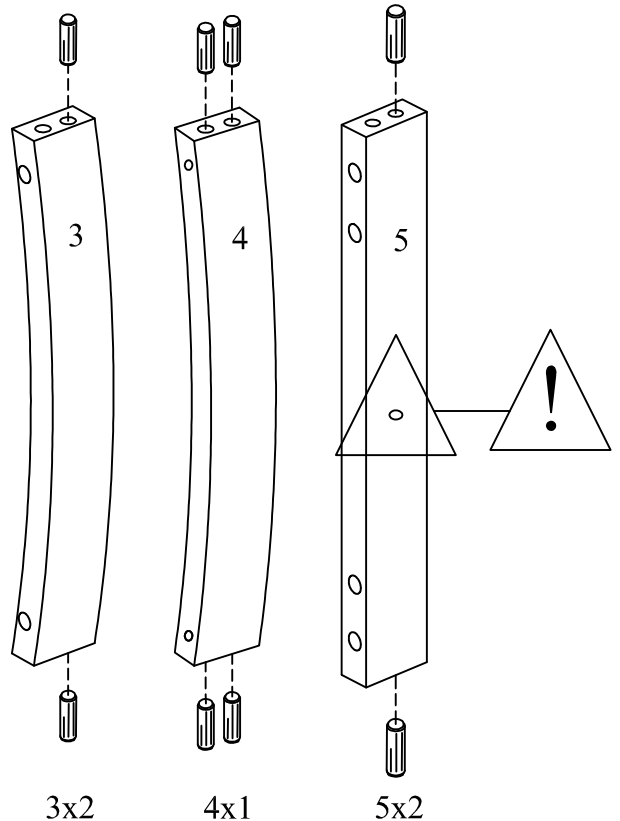
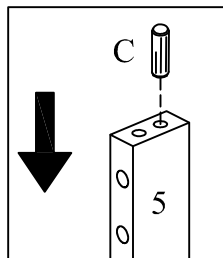
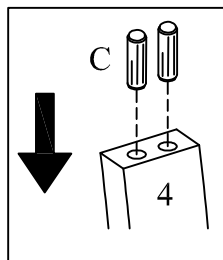
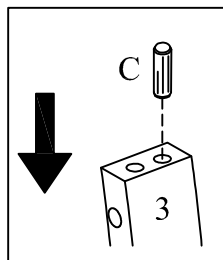
LIST OF PARTS		
No	Description	Qty
A	JCBC 	8
B	Barrel Nut 	8
C	Wood Dowel 	12
D	Wood Screw 	4
E	Allen Key 	1

**WARNING**

- This Chair not suitable for Standing On
- Do Not over Tighten the bolts and screw

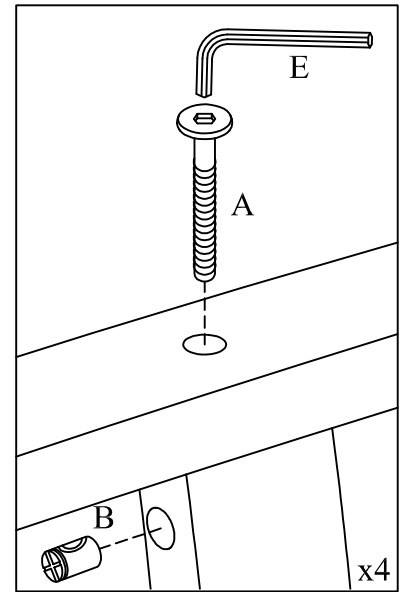
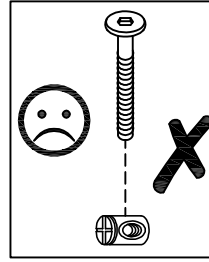
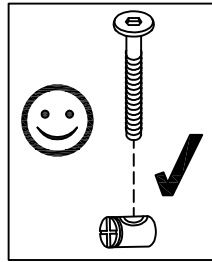
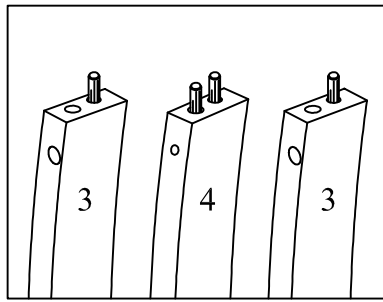
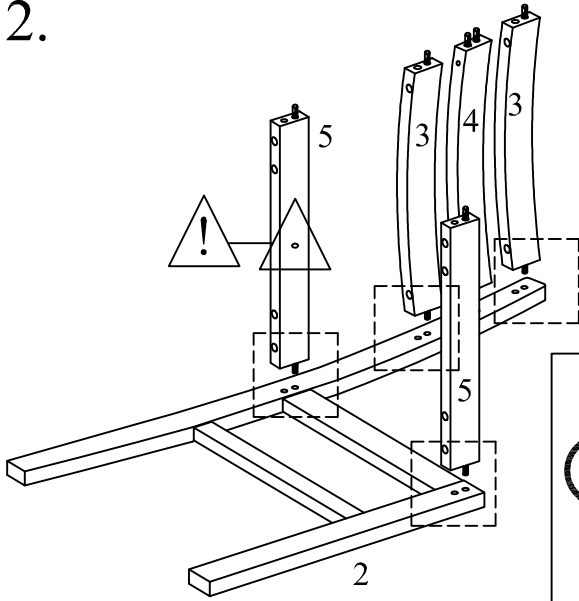


1.

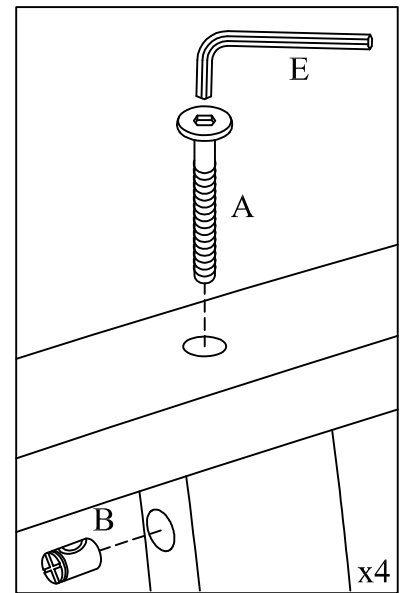
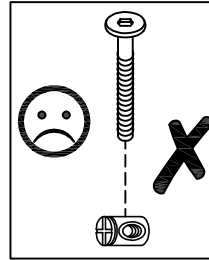
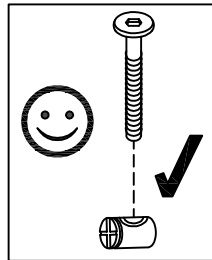
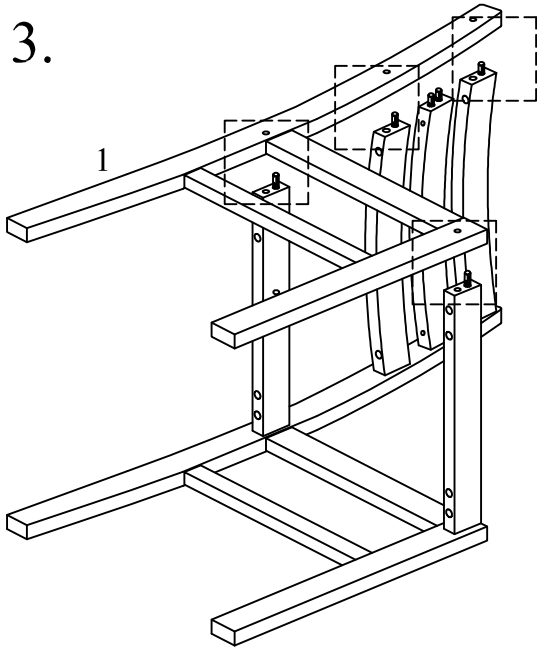


# ASSEMBLY INSTRUCTION

2.



3.



4.

