

**PRODUCT SPECIFICATIONS**

Elkay 8" Centerset Concealed Deck Mount Faucet with Arc Spout and 2-5/8" Lever Handles Chrome. Faucet has a flow rate of 1.5 GPM, and is made of Chrome-plated Brass material, with a Quarter Turn Ceramic Disc valve. Faucet requires 3 faucet holes.

|                                |                           |
|--------------------------------|---------------------------|
| <b>Mounting Type:</b>          | Deck Mount                |
| <b>Special Features:</b>       | Low Flow                  |
| <b>Finish:</b>                 | Chrome (CR)               |
| <b>Handle Type:</b>            | 2.6" Lever Handle         |
| <b>Deck Clearance:</b>         | 7"                        |
| <b>Spout Reach:</b>            | 7"                        |
| <b>Spout Height:</b>           | 11"                       |
| <b>Hole Drillings:</b>         | 3                         |
| <b>Material:</b>               | Chrome-plated Brass       |
| <b>Valve Type:</b>             | Quarter Turn Ceramic Disc |
| <b>Valve Connection:</b>       | 1/2"-14 NPSM              |
| <b>Flow Rate:</b>              | 1.5 GPM                   |
| <b>Faucet Hole Size (min):</b> | 1-1/4"                    |
| <b>Faucet Hole Spread:</b>     | 8                         |
| <b>Countertop Thickness:</b>   | 1-1/8                     |
| <b>Spout Swing Rotation:</b>   | 360°                      |
| <b>Spout Type:</b>             | Arc Tube                  |



Chrome (CR)

AMERICAN PRIDE. A LIFETIME TRADITION.  
Like your family, the Elkay family has values and traditions that endure. For almost a century, Elkay has been a family-owned and operated company, providing thousands of jobs that support our families and communities.

**Product Compliance:** ADA & ICC A117.1  
ASME A112.18.1/CSA B125.1  
CEC  
NSF 372 (lead free)  
NSF 61

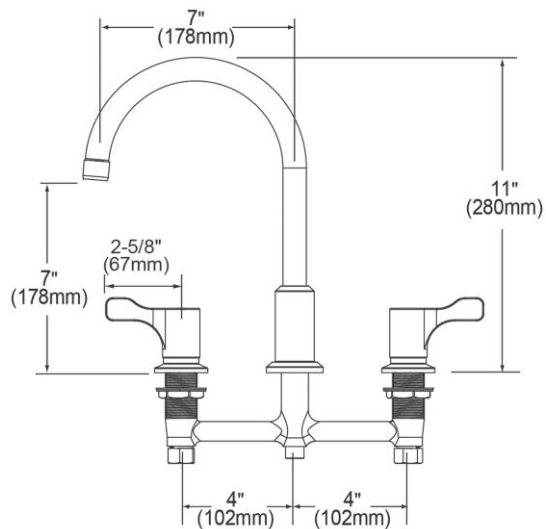


Complies with ADA & ICC A117.1 accessibility requirements when installed according to the requirements outlined in these standards.

[Clean and Care Manual \(PDF\)](#)  
[Installation Instructions \(PDF\)](#)  
[Warranty \(PDF\)](#)

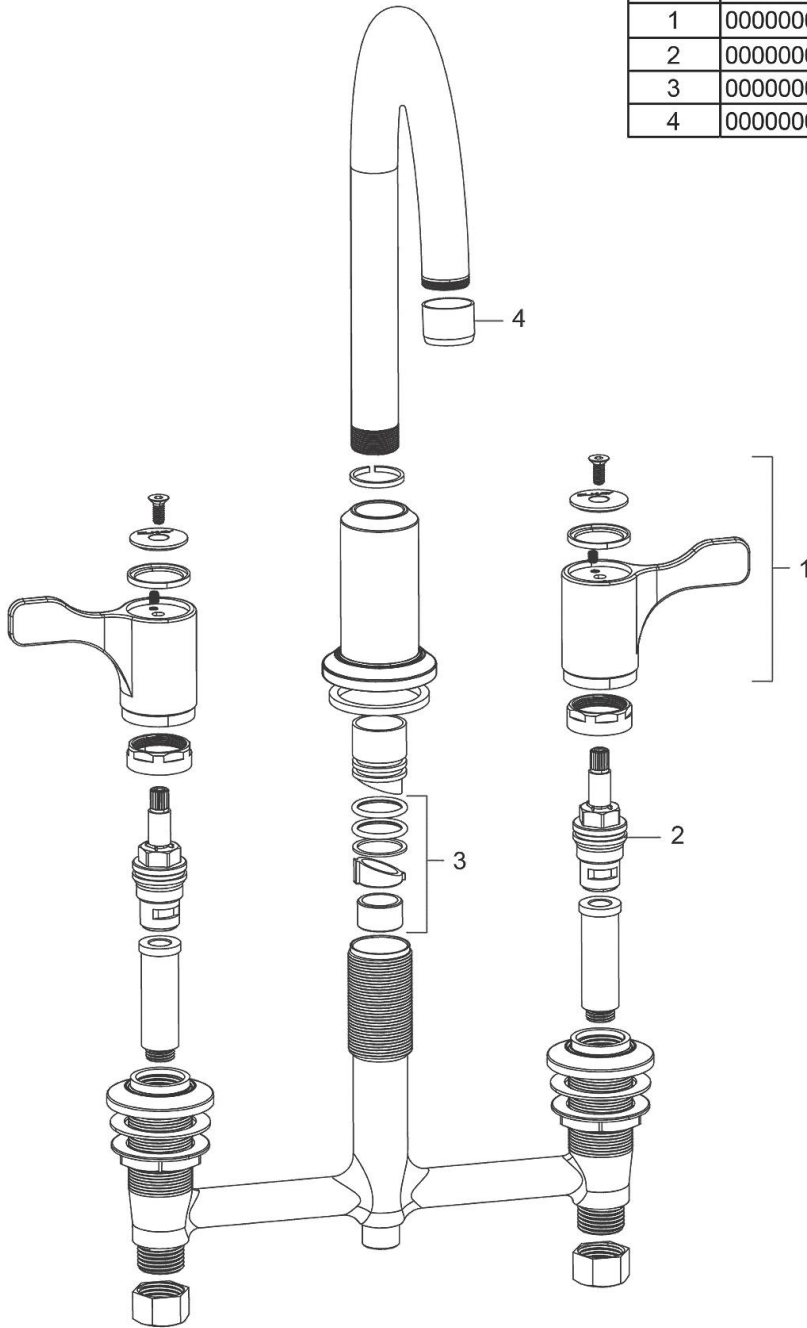
PART: \_\_\_\_\_ QTY: \_\_\_\_\_  
PROJECT: \_\_\_\_\_  
CONTACT: \_\_\_\_\_  
DATE: \_\_\_\_\_  
NOTES: \_\_\_\_\_  
APPROVAL: \_\_\_\_\_

*In keeping with our policy of continuing product improvement, Elkay reserves the right to change product specifications without notice. Please visit [elkay.com](http://elkay.com) for the most current version of Elkay product specification sheets. This specification describes an Elkay product with design, quality, and functional benefits to the user. When making a comparison of other producers' offerings, be certain these features are not overlooked.*



*In keeping with our policy of continuing product improvement, Elkay reserves the right to change product specifications without notice. Please visit [elkay.com](http://elkay.com) for the most current version of Elkay product specification sheets. This specification describes an Elkay product with design, quality, and functional benefits to the user. When making a comparison of other producers' offerings, be certain these features are not overlooked.*

| ITEM | PART #     | DESCRIPTION                  |
|------|------------|------------------------------|
| 1    | 0000000680 | 2.6" Blade Handle            |
| 2    | 0000000682 | Cartridges                   |
| 3    | 0000000685 | Multi Swing Spout Repair Kit |
| 4    | 0000000688 | Aerator                      |



*In keeping with our policy of continuing product improvement, Elkay reserves the right to change product specifications without notice. Please visit [elkay.com](http://elkay.com) for the most current version of Elkay product specification sheets. This specification describes an Elkay product with design, quality, and functional benefits to the user. When making a comparison of other producers' offerings, be certain these features are not overlooked.*