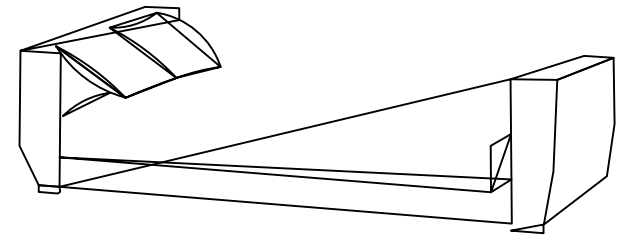
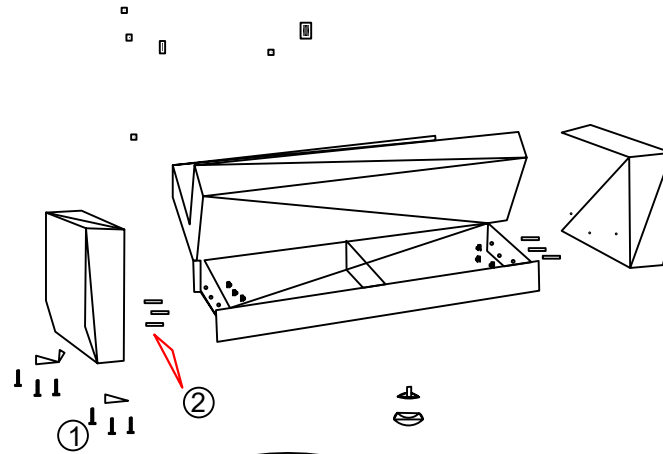
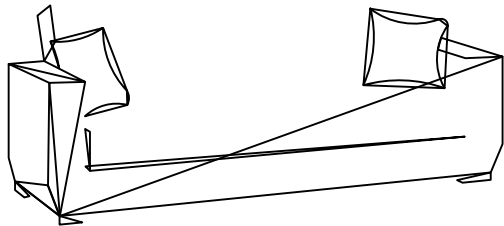




ASSEMBLY INSTRUCTIONS



HARDWARE PACKAGE CONTENT

-  LEG (4)
-  SCREW (6)
-  WINGNUT(6)
-  SCREW (12)
-  SUPPORTLEG (1)

