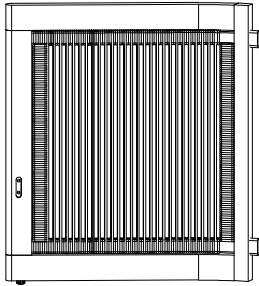


SKU: HY026-ZB

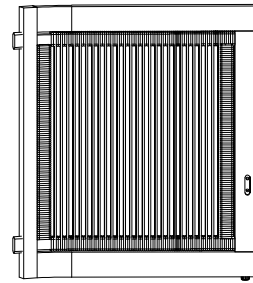
ASSEMBLY INSTRUCTIONS

**A** LEFT



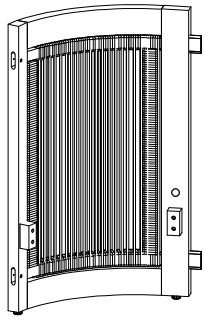
**A** x 1

**B** RIGHT



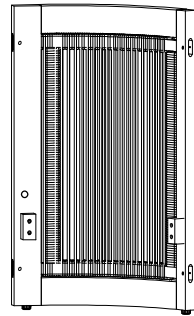
**B** x 1

**C** LEFT



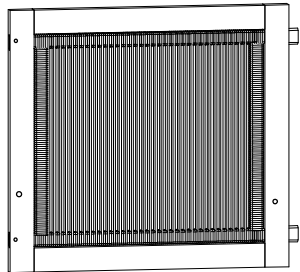
**C** x 1

**D** RIGHT



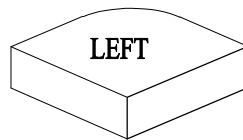
**D** x 1

**E**



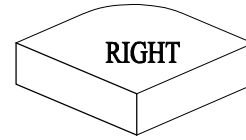
**E** x 1

**T**



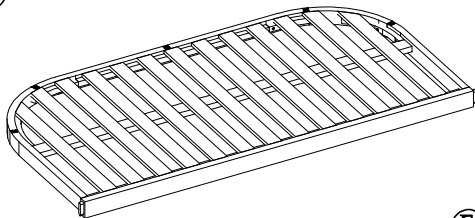
**T** x 1

**W**



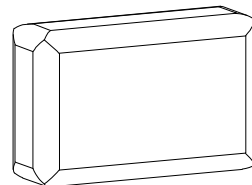
**W** x 1

**F**

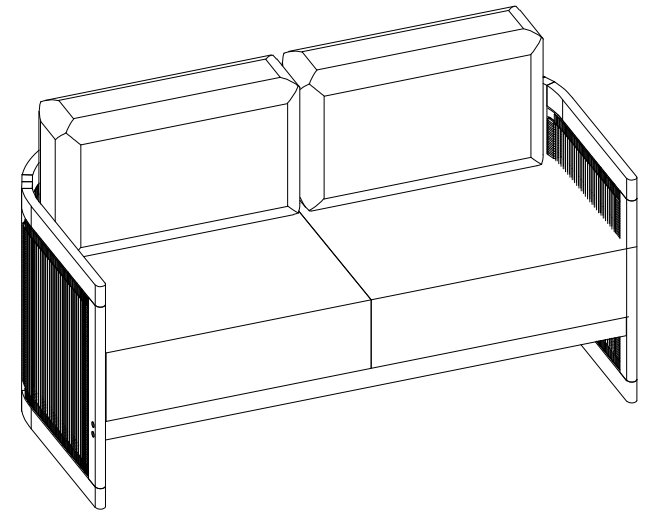





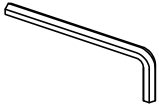
**F** x 1

**L**

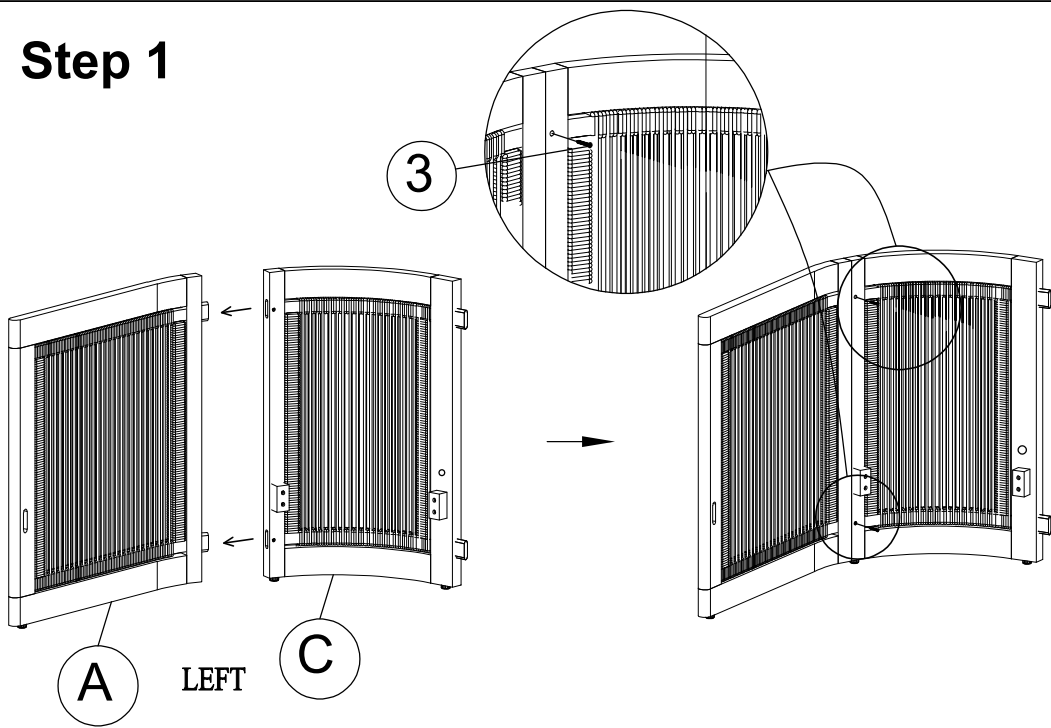


**L** x 2

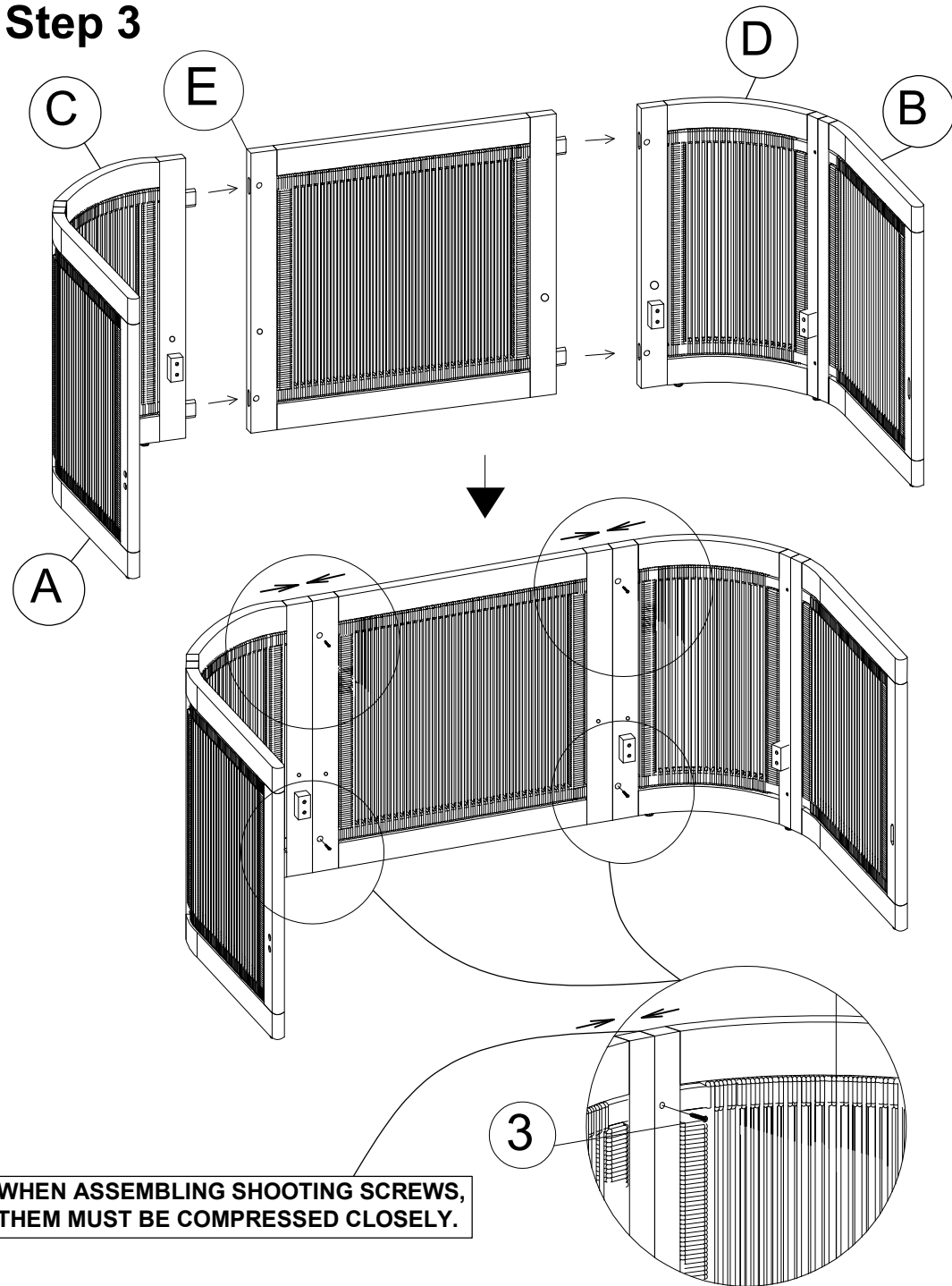


No	Hardware	Fig	Q.ty
①	Screws (7 x 70)mm		5
②	Screws M6x40mm		5
③	Screws M4x20mm		9
④	Allen key		1

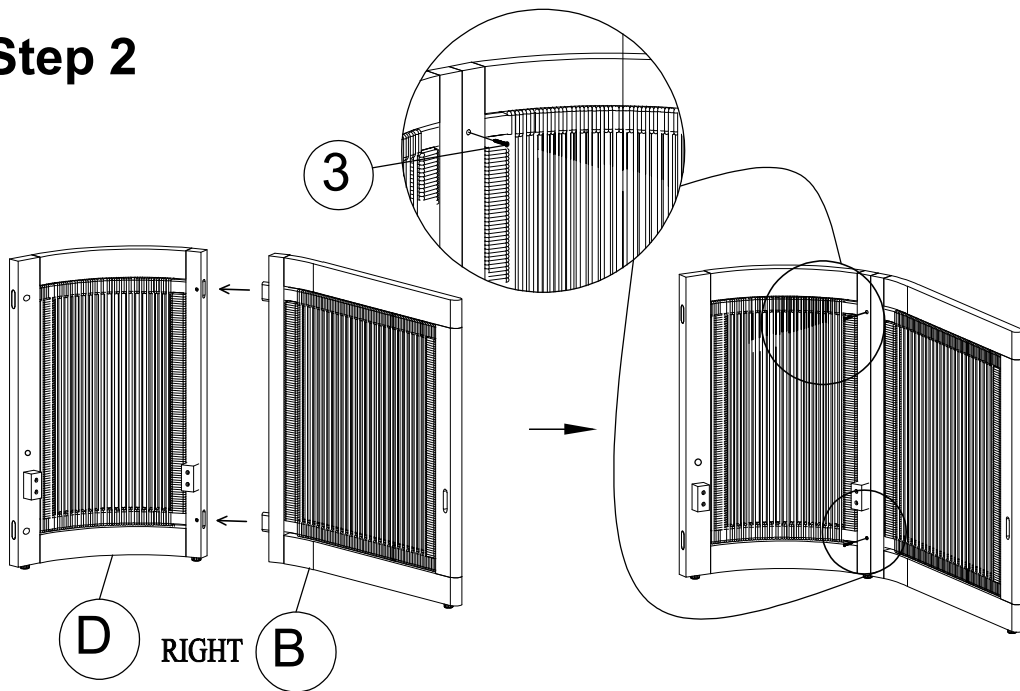
### Step 1



### Step 3



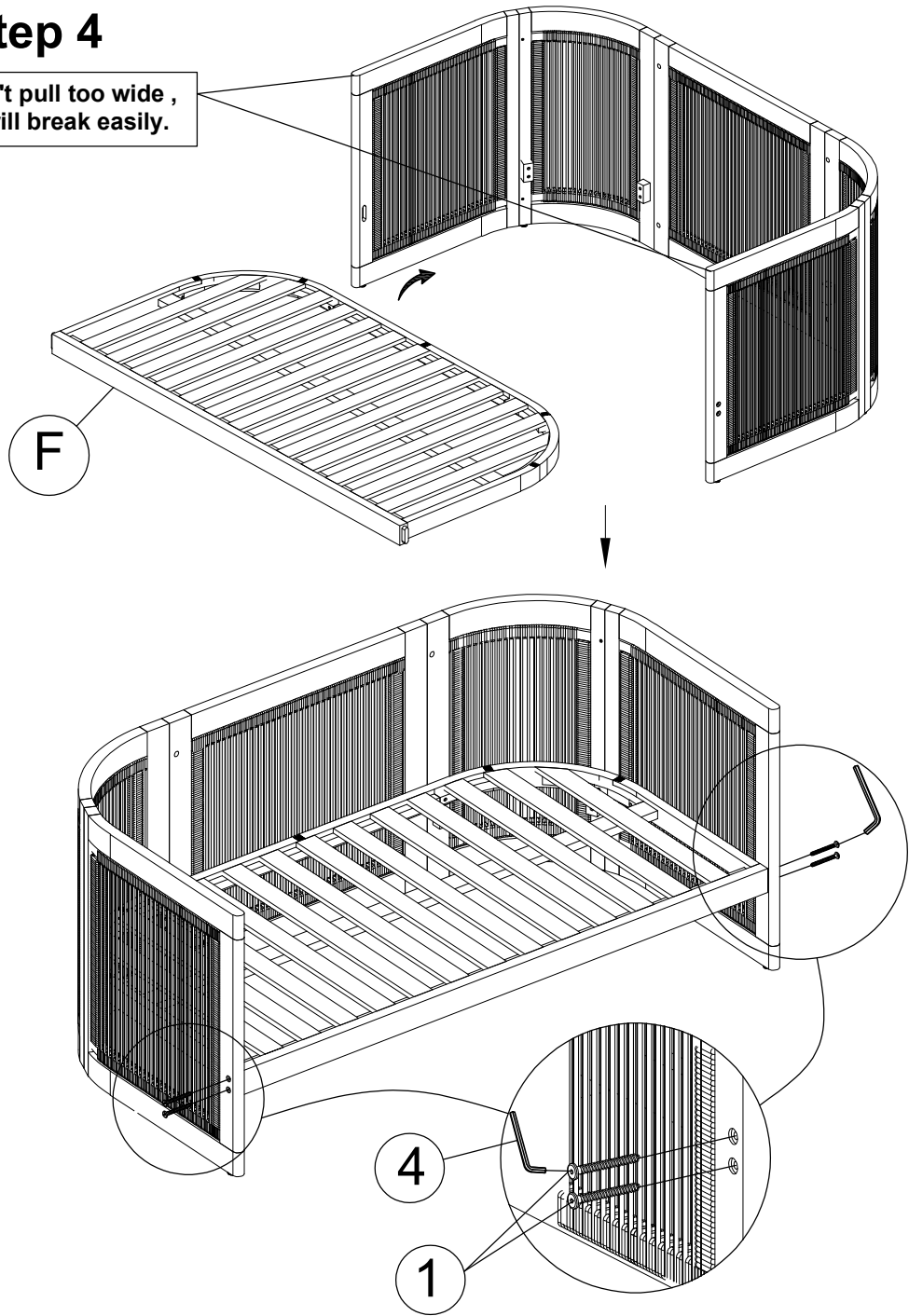
### Step 2



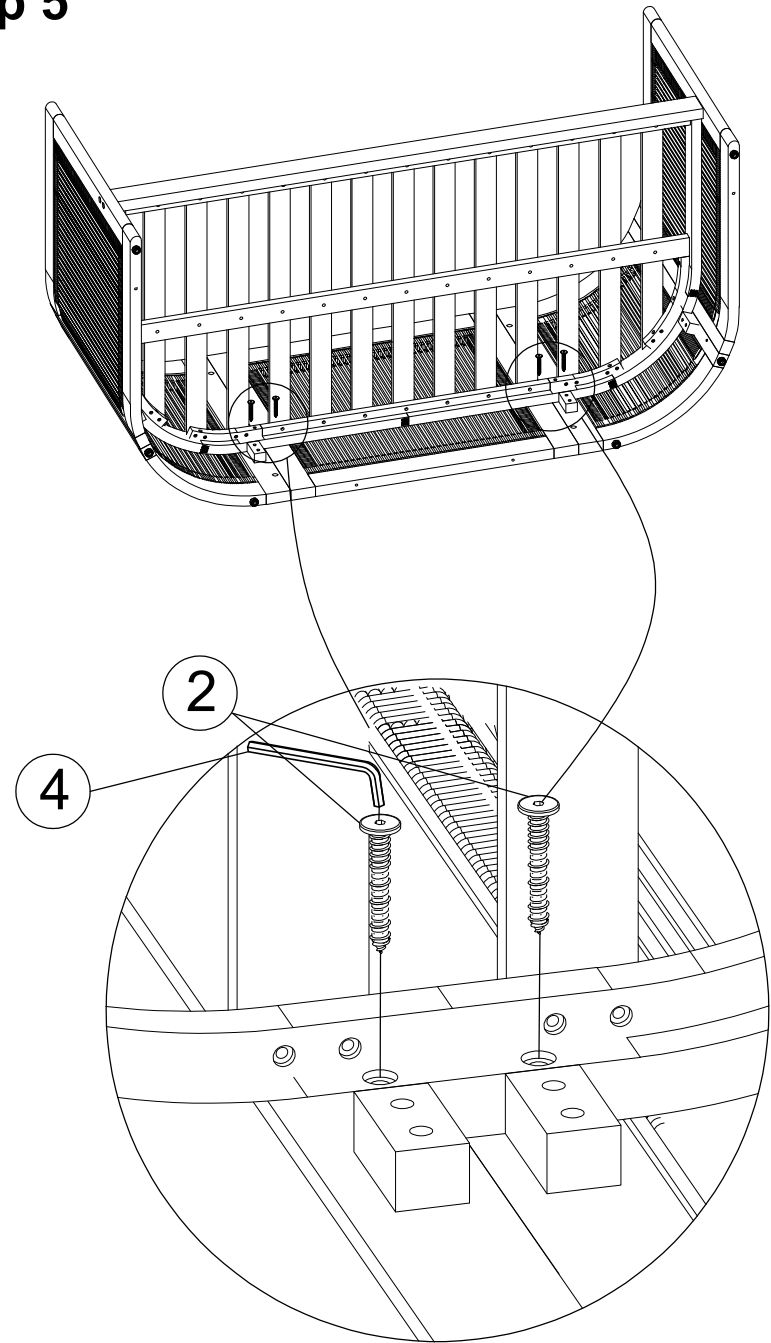
WHEN ASSEMBLING SHOOTING SCREWS,  
THEY MUST BE COMPRESSED CLOSELY.

## Step 4

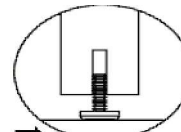
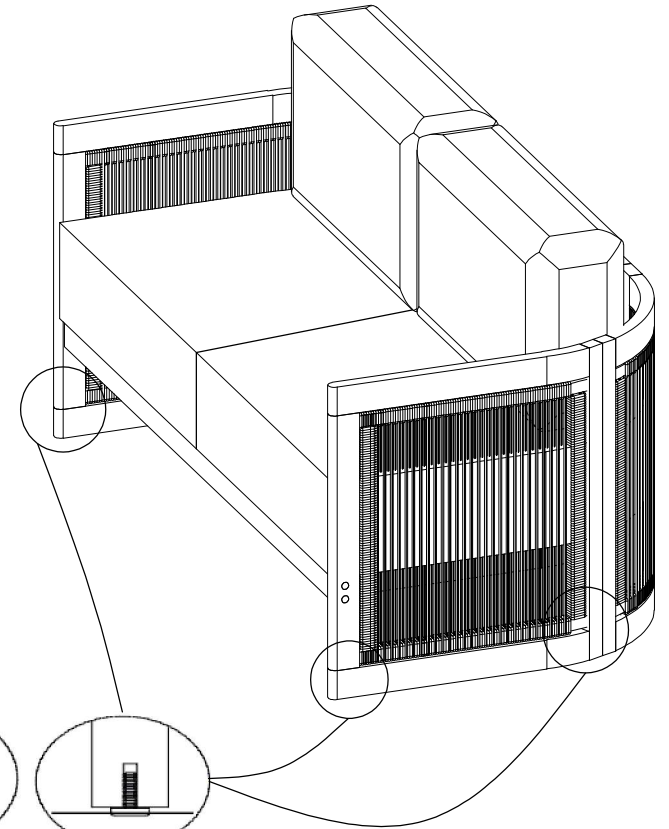
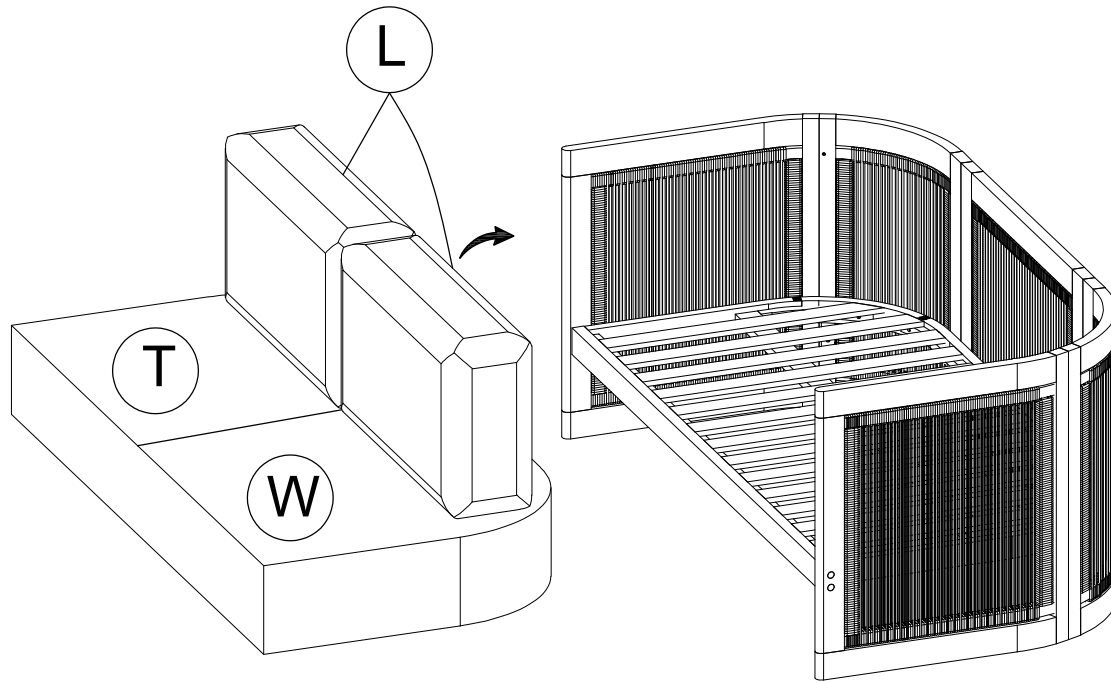
Don't pull too wide ,  
it will break easily.



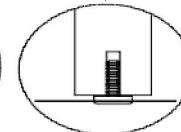
## Step 5



# Step 6



Adjust height for balance



Adjust low for balance

